

---

# Owner's Manual

## Saab 9-5, Model Year 2006

Safety	11
Security	43
Instruments and controls	57
Saab 9-5 Audio System *	90
Interior equipment and trunk	113
Starting and driving	141
Car care and technical information	191
Customer Assistance and Information	253
Specifications	259
Index	273

## Introduction

This manual provides practical guidance on driving and caring for your Saab.

Although this manual describes the most important differences between model variants, it does not include precise specifications of the different variants. Some differences also occur to meet special legal requirements in different countries.

Importation and distribution of Saab automobiles, spare parts and accessories are handled exclusively by General Motors of Canada Limited in Canada and by Saab Cars USA, Inc. in the U.S.A.

We recommend that you read through the manual before taking the car out for the first time and that you keep it in the car for future reference.

To find a specific item, use the overviews given on pages 3–6. A list of contents is given at the beginning of each section of the manual, and there is also a comprehensive index at the back of the book.

Supplied with the car is a Warranty and Service Record booklet and a tire warranty folder which specifies the regular maintenance to be carried out. The book also contains important warranty conditions.



### WARNING

WARNING texts warn against the danger of injury if the specified instructions are not followed.

### NOTICE

NOTICE texts warn of potential damage to the car if the recommendations are not followed.

Since the policy at Saab is one of continual improvement, we retain the right to incorporate modifications and to alter specifications during production without prior notice.

\*Asterisk means: equipment not fitted in all cars (can depend on model variant, engine variant, market specification, options or accessories).

If you have any questions concerning your car, its equipment, the warranty conditions or the like, your Saab dealer will be pleased to help.

Best wishes,  
Saab Automobile AB

Saab Automobile AB does not accept liability for any damage caused by the fitting of spare parts, exchange parts or accessories that are not approved by Saab Automobile AB.

The specifications, design particulars and illustrations included in the manual are not binding.

# Instrument panel

<table border="1"> <tr><td>Turn signal and lane change indicators _____</td><td>75</td></tr> <tr><td>High beam flasher _____</td><td>73</td></tr> <tr><td>Cruise control * _____</td><td>161</td></tr> </table>	Turn signal and lane change indicators _____	75	High beam flasher _____	73	Cruise control * _____	161		<table border="1"> <tr><td>Indicator and warning lights _____</td><td>58</td></tr> <tr><td>Speedometer _____</td><td>65</td></tr> <tr><td>Odometer and trip meter _____</td><td>64</td></tr> <tr><td>Fuel gauge _____</td><td>65</td></tr> <tr><td>Temperature gauge _____</td><td>65</td></tr> <tr><td>Saab Information Display (SID) _____</td><td>68</td></tr> </table>	Indicator and warning lights _____	58	Speedometer _____	65	Odometer and trip meter _____	64	Fuel gauge _____	65	Temperature gauge _____	65	Saab Information Display (SID) _____	68	<table border="1"> <tr><td>Wipers and washers _____</td><td>77</td></tr> <tr><td>Rear-window wiper * _____</td><td>78</td></tr> <tr><td>Rain sensing wipers * _____</td><td>77</td></tr> <tr><td>Washers _____</td><td>206</td></tr> <tr><td>Wipers and washers _____</td><td>205</td></tr> </table>	Wipers and washers _____	77	Rear-window wiper * _____	78	Rain sensing wipers * _____	77	Washers _____	206	Wipers and washers _____	205
Turn signal and lane change indicators _____	75																														
High beam flasher _____	73																														
Cruise control * _____	161																														
Indicator and warning lights _____	58																														
Speedometer _____	65																														
Odometer and trip meter _____	64																														
Fuel gauge _____	65																														
Temperature gauge _____	65																														
Saab Information Display (SID) _____	68																														
Wipers and washers _____	77																														
Rear-window wiper * _____	78																														
Rain sensing wipers * _____	77																														
Washers _____	206																														
Wipers and washers _____	205																														
<table border="1"> <tr><td>Parking lights _____</td><td>73</td></tr> <tr><td>High/low beam _____</td><td>73</td></tr> <tr><td>Daytime running lights _____</td><td>73</td></tr> <tr><td>Instrument illumination _____</td><td>75</td></tr> <tr><td>Changing bulbs _____</td><td>207</td></tr> <tr><td>Rear fog light _____</td><td>74</td></tr> <tr><td>NIGHT PANEL _____</td><td>72</td></tr> </table>	Parking lights _____	73	High/low beam _____	73	Daytime running lights _____	73	Instrument illumination _____	75	Changing bulbs _____	207	Rear fog light _____	74	NIGHT PANEL _____	72	<table border="1"> <tr><td>Hazard warning lights _____</td><td>76</td></tr> </table>	Hazard warning lights _____	76														
Parking lights _____	73																														
High/low beam _____	73																														
Daytime running lights _____	73																														
Instrument illumination _____	75																														
Changing bulbs _____	207																														
Rear fog light _____	74																														
NIGHT PANEL _____	72																														
Hazard warning lights _____	76																														
<table border="1"> <tr><td>Front fog lights * _____</td><td>76</td></tr> <tr><td>NIGHT PANEL _____</td><td>72</td></tr> </table>	Front fog lights * _____	76	NIGHT PANEL _____	72	<table border="1"> <tr><td>Saab 9-5 Audio System * _____</td><td>90</td></tr> <tr><td>Steering wheel controls * _____</td><td>91</td></tr> </table>	Saab 9-5 Audio System * _____	90	Steering wheel controls * _____	91																						
Front fog lights * _____	76																														
NIGHT PANEL _____	72																														
Saab 9-5 Audio System * _____	90																														
Steering wheel controls * _____	91																														
<table border="1"> <tr><td>Steering wheel controls * _____</td><td>91</td></tr> <tr><td>Sentronic, manual mode * _____</td><td>158</td></tr> </table>	Steering wheel controls * _____	91	Sentronic, manual mode * _____	158	<table border="1"> <tr><td>Automatic climate control (ACC) _____</td><td>79</td></tr> <tr><td>Air conditioning (ACC) _____</td><td>246</td></tr> </table>	Automatic climate control (ACC) _____	79	Air conditioning (ACC) _____	246																						
Steering wheel controls * _____	91																														
Sentronic, manual mode * _____	158																														
Automatic climate control (ACC) _____	79																														
Air conditioning (ACC) _____	246																														
<table border="1"> <tr><td>Heated front seats * _____</td><td>87</td></tr> <tr><td>Head restraint _____</td><td>21</td></tr> </table>	Heated front seats * _____	87	Head restraint _____	21	<table border="1"> <tr><td>Ashtrays * _____</td><td>126</td></tr> <tr><td>Cigarette lighters * _____</td><td>126</td></tr> </table>	Ashtrays * _____	126	Cigarette lighters * _____	126																						
Heated front seats * _____	87																														
Head restraint _____	21																														
Ashtrays * _____	126																														
Cigarette lighters * _____	126																														

IB3830

## Exterior

Moonroof* _____	123
Washing the car _____	244
Waxing and polishing _____	245
Touching up the paint _____	245
Anti-corrosion treatment _____	248

Headlights _____	73
Rear light cluster, 9-5 Sedan _____	211
Rear lights clusters, 9-5 SportCombi _____	213
Changing bulbs _____	207

Towing a trailer* _____	176
Towing the car _____	185
Rear towing eye _____	186

Trunk _____	130
Folding the rear seat, 9-5 Sedan _____	130
Folding the rear seat, 9-5 SportCombi _____	133
Trunk Release Handle _____	139
Driving with a spare wheel fitted _____	185
Compact spare tire _____	237

Driving with a roof rack load _____	181
Fitting the roof carriers*, 9-5 Sedan and 9-5 SportCombi without roof rails _____	181
Maximum roof load _____	260
Rearview mirror _____	118

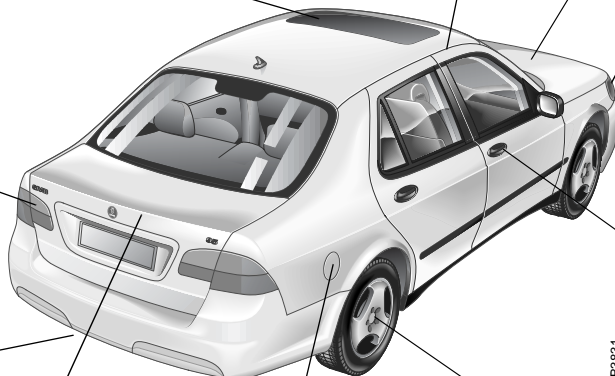
Hood _____	192
Engine compartment: washing _____	245

Headlights _____	73
High/low beam _____	73
Turn signal and lane change indicators _____	75
Headlight washers* _____	77
Changing bulbs _____	207

Central locking _____	44
Trunk lid lock, 9-5 Sedan _____	47
Tailgate, 9-5 SportCombi _____	48
Child safety locks _____	47
Car alarm* _____	50

Fuel gauge _____	65
Refueling _____	148
Economical motoring _____	172
Fuel _____	262

Tires pressure _____	269
Wheels and tires _____	268
Braking _____	162
Driving in cold weather _____	174
Compact spare tire _____	237
Changing a wheel _____	239



IB3831

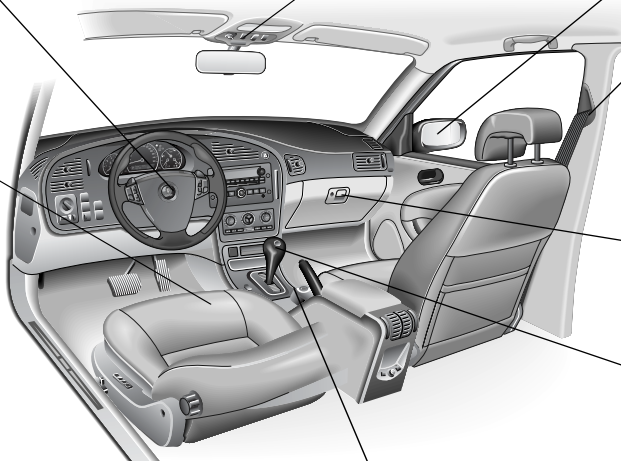
# Interior

Steering wheel adjustment _	114
Airbag _____	29
Power steering fluid _____	201
Steering wheel controls * _____	91
Sentronic, manual mode * _____	158

Seats _____	18
Heated front seats * _____	87
Head restraint * _____	21
Safety belts _____	12
Child safety _____	22
Folding the rear seat, 9-5 Sedan _____	130
Folding the rear seat, 9-5 SportCombi _____	133
Upholstery and trim _____	243
Side airbags _____	36

Interior lighting _____	124
Moonroof * _____	123
Dome light, front _____	217

Rearview mirrors _____	116
Door mirrors _____	116
Sun visors _____	125



Safety belts _____	12
Airbag _____	29
Child safety _____	22
Child safety locks _____	47
Safety belts, maintenance _	242

Glove compartment _____	127
-------------------------	-----

Manual transmission _____	152
Automatic transmission * _	153

Electric windows _____	115
Ignition switch _____	142
Starting the engine _____	143
Engine Break-In Period _____	152
Driving in hot weather _____	175
Driving in cold weather _____	174
Parking _____	168

IB3832

# Engine compartment

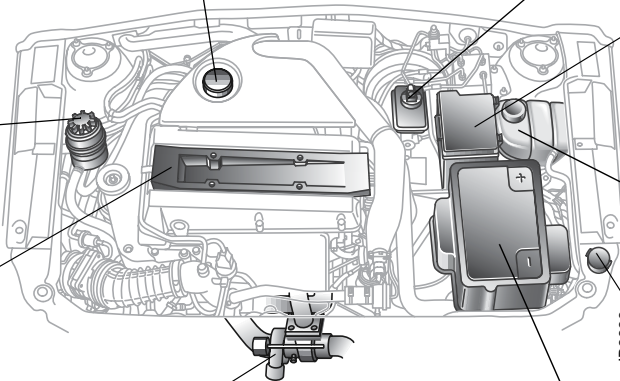
Warning labels _____	7
V.I.N. number _____	270
Engine number _____	270
Gearbox number _____	270
Color code _____	270
Tire and Loading Information Label _____	234

Power steering fluid _____	201
Steering, technical data _____	267

Ignition switch _____	142
Drive belts _____	204
Spark plugs _____	265
Catalytic converter _____	147

Important considerations for driving _____	146
Turbo unit _____	193
Engine, technical data _____	262

Engine _____	196
Checking the oil level _____	196
Changing engine oil _____	197
Engine oil, specification _____	263



Braking _____	162
ABS brakes _____	163
Brake and clutch fluid _____	199
Brake system _____	267
Brake pads _____	267

Fuses _____	219
Changing a fuse _____	221
Relays _____	223
Table of fuses _____	219

Temperature gauge _____	65
Driving in hot weather _____	175
Driving in cold weather _____	174
Coolant _____	198
Coolant capacity _____	262

Wipers and washers _____	77
Washers _____	206
Washer jets _____	206

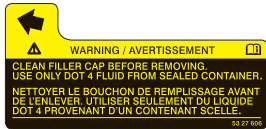
Manual transmission _____	152
Automatic transmission * _____	153
Automatic transmission, technical data _____	266
Manual gearbox, technical data _____	266

Jump starting _____	188
Battery _____	202
Charging/replacing the battery _____	203

# Warning labels

## Radiator fan

Radiator fan may start at any time.



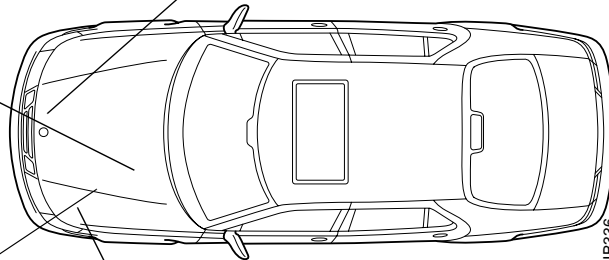
## Brake fluid

CLEAN FILLER CAP BEFORE REMOVING. USE ONLY DOT 4 FLUID FROM SEALED CONTAINER.



## Coolant:

Never open when engine hot!



## Battery

- No sparks, flames or smoking.
- Shield eyes, explosive gases can cause blindness or injury.
- Sulphuric acid can cause blindness or severe burns.
- Flush eyes immediately with water. Get medical help fast.
- Do not tip battery. Do not open battery.

KEEP OUT OF REACH OF CHILDREN

## A/C system

Refrigerant at high pressure.

Do not loosen or remove the A/C system fittings before discharging the A/C system. Improper service methods may cause personal injury. System to be serviced by authorized personnel only. For instructions consult workshop manual.

The A/C system complies with SAE J639.

Charge: 825 g of R134a.

Compressor oil: PAG oil SP-10 alt. Saab oil 4759106

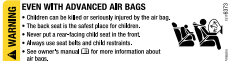
Oil amount: See workshop manual.

- AVOID SPARKS AND OPEN FLAMES, NO SMOKING
- WEAR EYE PROTECTION
- KEEP OUT OF REACH OF CHILDREN
- ACID
- SEE OWNER'S MANUAL
- FLAMMABLE GAS



Contact a Saab dealer if a xenon headlight requires replacement.

This label is only found on cars with xenon headlights.



**EVEN WITH ADVANCED AIR BAGS**

- Children can be killed or seriously injured by the air bags.
- The back seat is the safest place for children.
- Never put a rear-facing child seat in the front.
- Always use seat belts and child restraints.
- See owner's manual CD for more information about air bags.

**MÊME AVEC DES SACS GONFLABLES INTELLIGENTS**

- Les enfants peuvent être tués ou grièvement blessés par le sac gonflable.
- Le siège arrière est l'endroit le plus sûr pour les enfants.
- Ne jamais placer un dispositif de protection pour enfant infant face à l'avant.
- Toujours utiliser les ceintures de sécurité et les assembles de retenue pour enfants.
- Voir le Guide du propriétaire CD pour plus d'information à propos des sacs gonflables.

## WARNING

### EVEN WITH ADVANCED AIR BAGS

- Children can be killed or seriously injured by the air bag.
- The back seat is the safest place for children.
- Never put a rear-facing child seat in the front.
- Always use seat belts and child restraints.

**AVERTISSEMENT**

- Le cric est conçu seulement pour remplacer un pneu ou poser des chaînes à neige.
- Le véhicule doit être au niveau et le cric doit être placé sur un terrain ferme et plat.
- Ne jamais se glisser sous le véhicule lorsqu'il est soulevé.

**DIRECTIONS DE LEVAGE**

1. Serrez le frein de stationnement et choisissez le levier des vitesses à la position de stationnement.
2. Placez le dessus du cric derrière le point de levage à côté de la roue qui doit être remplacée.
3. Levez le véhicule à l'aide du cric.
4. En utilisant la clé à soufflet dans la trousser à outils, desserrer les boulons de roue d'un demi-tour.
5. Levez le véhicule jusqu'à ce que le pneu ne touche plus le sol. Desserrer les boulons de roue complètement et enlever la roue.
6. Poser la roue de secours et sermer les boulons de façon à ce que la roue ne soit pas lâche.
7. Abaisser le véhicule. Sermer les boulons de roue en croix.

Swedish Transport Agency 12 759 144

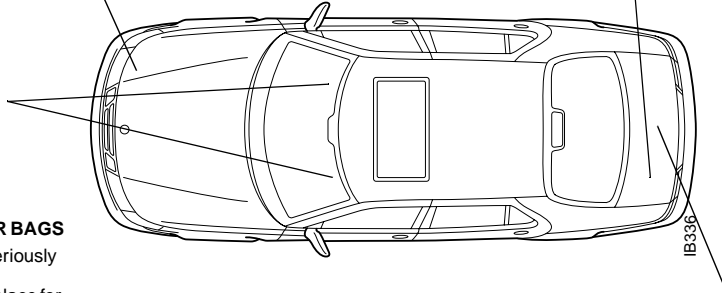
**WARNING**

- Jack is designed only for changing a tire or mounting tire snow chains.
- Vehicle must be level and jack must be placed on firm and level ground.
- Never crawl underneath vehicle when it is jacked up.

**JACKING INSTRUCTIONS**

1. Set parking brake and shift transmission to park.
2. Fit top of jack into jacking point next to wheel to be changed.
3. Crank jack so that vehicle begins to lift.
4. Using socket wrench in tool kit, loosen wheel bolts one-half turn.
5. Raise vehicle so that tire clears ground. Loosen wheel bolts completely and remove wheel.
6. Mount spare wheel and tighten bolts enough so wheel is not loose.
7. Lower vehicle. Tighten wheel bolts in a crisscross sequence.

12762063

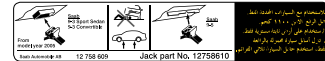


## Jack

- Jack is designed only for changing a tire or mounting tire snow chains.
- Vehicle must be level and the jack must be placed on a firm and level ground.
- Never crawl underneath vehicle when it is jacked up.

## JACKING INSTRUCTIONS

- 1 Set parking brake and shift transmission to park.
- 2 Fit top of jack into jacking point next to wheel to be changed (See illustration).
- 3 Crank jack so that vehicle begins to lift.
- 4 Using socket wrench in tool kit, loosen wheel bolts one-half turn.
- 5 Raise vehicle so that tire clears ground. Loosen wheel bolts completely and remove wheel.
- 6 Mount spare wheel and tighten bolts enough so wheel is not loose.
- 7 Lower vehicle. Tighten wheel bolts in a crisscross sequence.



## Jack

Use only on specified vehicles. Safe working load 1100 kg. Use on level firm ground only. Do not get under a vehicle that is supported only by a jack, use vehicle support stands. No persons are to remain in the vehicle.

For more information see your owner's manual.

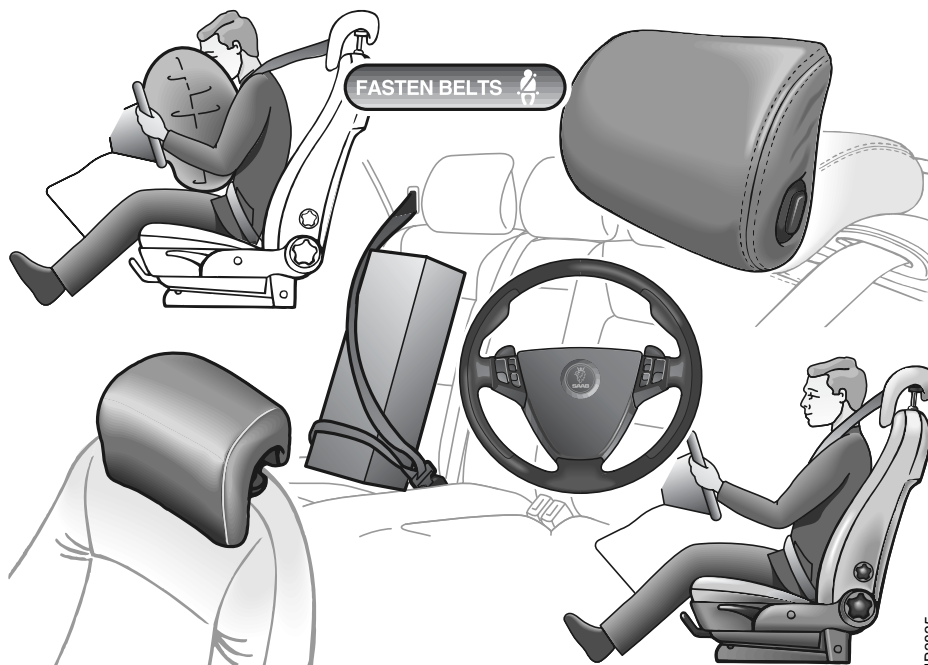




---

(This page has been left blank)

# Safety



<b>Seats</b> _____	<b>18</b>
<b>Head restraint</b> _____	<b>21</b>
<b>Safety belts</b> _____	<b>12</b>
<b>Child safety</b> _____	<b>22</b>
<b>Airbag</b> _____	<b>29</b>

\* Asterisk means: equipment not fitted in all cars (can depend on model variant, engine variant, market specification, options or accessories).

1B3835

## Safety belts

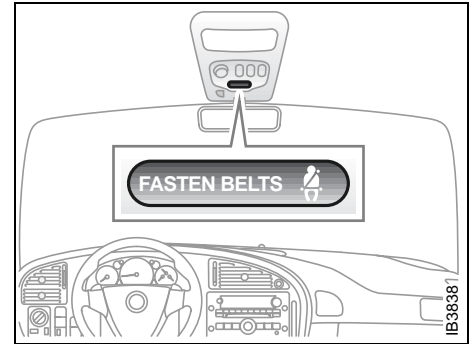
### WARNING

- Buckle up and adjust your safety belt before driving off so that you can pay full attention to the traffic.
- Safety belts must be worn **at all times** by all car occupants.
- Child safety, see page 22.
- Check that the locking tongue is properly locked in the belt lock.
- In the event of a crash, the rear-seat passengers not wearing a seatbelt will be thrown forward against the front-seat backrests. The stresses imposed on the front seat passengers and belts are multiplied and can result in needless injury or even death for all car occupants.

Three-point inertia-reel safety belts are provided for all seats.

The results of studies show that it is equally important to wear safety belts in the rear seat as in the front seats.

Bear in mind that in certain states/provinces it is a legal requirement for all occupants of the car to wear a safety belt.



### Safety belt reminder

When the ignition is switched on, the "FASTEN BELTS" reminder will light up until the driver fastens the safety belt. In addition an audible signal sounds for 6 seconds, or until the driver fastens his belt.

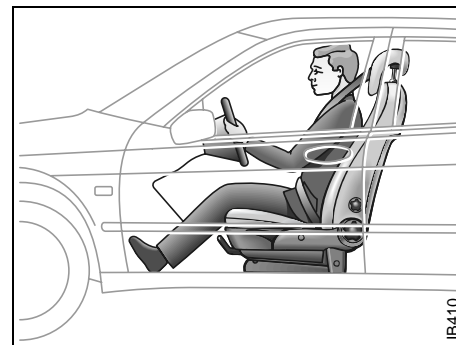
## Correct position for safety belt

### WARNING

Proper positioning of the safety belt is extremely important.

- An out of position safety belt can result in the occupant sliding underneath the belt in a crash (submarining) and injury can result from the lap portion cutting into the abdomen.
- **Never** fasten the safety belt with the shoulder belt behind the body or pull the belt off the shoulder and under the arm.
- If two people share a belt, they risk injury by being crushed together in the event of a crash.

- Position the lap strap snugly and low across the hips so that it just touches the thighs. The shoulder strap must be as far in on the shoulder as possible.
- Check to ensure that the belt is not twisted or rubbing against any sharp edges.
- There should not be any slack in the belt. Pull the belt tight – particularly important when thick outer clothing is worn. It is advisable to remove thick items of clothing.
- Refrain from tilting the backrest more than necessary, as the safety belt provides better protection when the seat is in a more upright position.
- Only one person per safety belt!
- For most of the time a safety belt is worn, the retractor will allow the wearer freedom of movement. The retractor locks up automatically if the belt is jerked or withdrawn sharply, the car tilts, the brakes are applied hard or a crash occurs.
- Children up to 6 years of age must always be seated in a child seat. Saab recommends the use of a child seat for children up to the age of 10.
- Children who have grown out of a child seat should be restrained by the car's standard three-point belts. Make sure that the shoulder belt is not in contact with the neck or throat. If it is, a booster seat/cushion may be necessary.



*Correctly positioned safety belt*



*To fasten the belt*



*Press the red button to release the belt*

## Front safety belts

Fasten the belt by pulling the belt and inserting the tongue in the buckle. Check that it is securely fastened.

Grasp the shoulder belt close to the buckle and pull the belt towards the shoulder to tighten the lap belt part.

Then grip the belt at the shoulder, pull it out and, without letting go, allow the slack to be taken up by the reel. Make sure that the belt is well in on the shoulder.

Because the lower belt-anchorage points are on the seat, the belt buckle follows the movement of the seat during seat adjustment.

## Belt height adjustment

The front safety belts and the outside belts in the rear (9-5 Sedan) are equipped with automatic height adjustment.

After fastening the belt, grasp it at chest height, pull it out and, without letting go, allow the slack to be taken up by the reel. Make sure that the belt is well in on the shoulder.



### Safety belt use during pregnancy

Pregnant women must **always** wear a safety belt to protect both themselves and the unborn child.


The lap belt should be placed low, across the hips and over the upper thighs.

### Safety belt pretensioners


The belts of the front seats are fitted with automatic pretensioners and force limiters. These are activated in the event of a severe frontal or rear-end crash and a side-on collision, provided that the safety belts are being worn.

The pretensioners serve to reduce the forward movement of the body by tensioning the belt. The force limiters reduce belt loads on the body by "loosening" the safety belt to absorb the body's kinetic energy as gradually as possible.

The safety belt pretensioners are not activated by vehicle rollover.

 <b>WARNING</b>
<p>If the car is involved in a crash, the safety belts, belt pretensioners and other components must be inspected by an authorized Saab dealer and replaced as necessary.</p> <p>Never make any alterations or repairs to the safety belt yourself. Visit an authorized Saab dealer for any necessary repairs.</p>

### Safety belt, rear seat

 <b>WARNING</b>
<ul style="list-style-type: none"> <li>• Make sure that the belt does not become trapped when the backrest is folded down or raised (see page 130).</li> <li>• If cargo has to be placed on a seat, it must be properly secured with the safety belt. This reduces the risk of the cargo being thrown about during hard braking or a crash, which could cause personal injury.</li> <li>• Check that the belt is not twisted or lying against sharp edges.</li> <li>• Make sure you use the correct safety belt buckle. The buckles for the center and left-hand rear seats are close together.</li> </ul>

Three-point safety belts are provided for all three rear seat passengers.

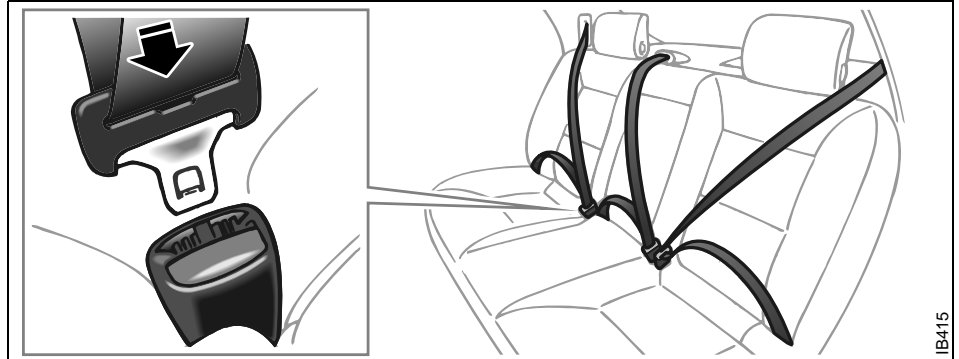
Fasten the belt by pulling out the strap carefully and inserting the tongue in the lock. Check that it is securely fastened.

Then grip the diagonal part of the strap near the lock and pull the belt upwards towards the shoulder to tighten the lap strap. The lap strap should lie low over the hips.

The diagonal part should lie as far in on the shoulder as possible.

To release the belt, press the red button on the belt lock.

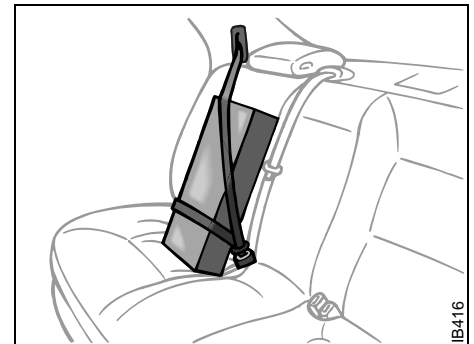
See page 242 for the checking of belt function, cleaning, etc.



*Safety belt, rear seat*

IB415

*Securing an item on the rear seat*



IB416



 **WARNING**

- Safety belts are designed to bear upon the bony structure of the body, and should be worn low across the front of the pelvis or the pelvis, chest and shoulders, as applicable; wearing the lap section of the belt across the abdominal area must be avoided.
  - Safety belts should be adjusted as firmly as possible, consistent with comfort, to provide the protection for which they have been designed. A loose belt will greatly reduce the protection afforded to the wearer.
  - Care should be taken to avoid contamination of the webbing with polishes, oils and chemicals, and particularly battery acid. Cleaning may safely be carried out using mild soap and water. The belt should be replaced if webbing becomes frayed, contaminated or damaged.
  - It is essential to replace the entire assembly after it has been worn in a severe impact even if damage to the assembly is not obvious.
  - Belts should not be worn with straps twisted.
- Each belt assembly must only be used by one occupant; it is dangerous to put a belt around a child being carried on the occupant's lap.
  - No modifications or additions should be made by the user which will either prevent the safety belt adjusting device from operating to remove slack, or prevent the safety belt assembly from being adjusted to remove slack.

## Seats

### WARNING

The seats are actuated by powerful motors. Bear this in mind when adjusting the seat, and make sure that nothing gets caught and damaged. Ensure that nothing can be trapped when adjusting the seat.

Bear in mind that children can be injured if they play with the electrically-operated seats.

**Always** remove the ignition key when you leave the car. This prevents personal injury caused by the electrically adjustable seats, for example, due to children playing.

Both front seats are electrically operated. On certain models the driver's seat is equipped with a memory function. To facilitate getting into the car, both seats can be adjusted when either of the front doors is open.

For safety reasons, if the door is closed, the seat can only be adjusted when the ignition is ON.

Note, however, that both seats can be adjusted for 30 seconds after both doors have been closed.

The following seat adjustments can be made to achieve a comfortable driving position:

- height
- legroom
- backrest rake angle
- lumbar support \*
- head-restraint height

We recommend that adjustments to the driver's seat be performed in the following order:

- 1 height
- 2 legroom
- 3 seat tilt angle
- 4 backrest rake angle

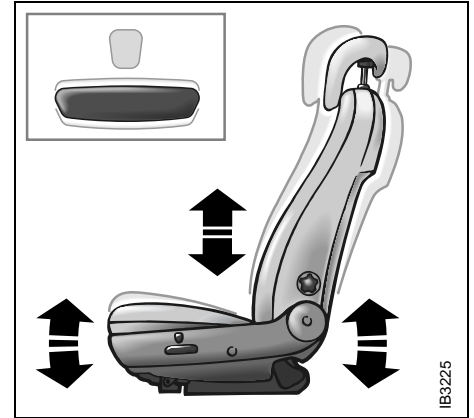
Lastly, adjust the steering wheel (see page 114).

### WARNING

Never adjust the driver's seat except when the car is stationary.

**Side airbags**  
(see page 36).

**Head restraint**  
(see page 21).

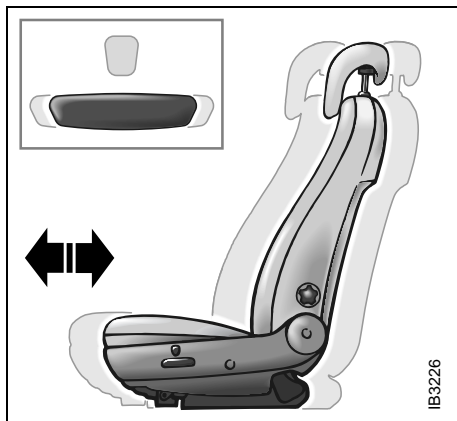


## Height

To raise the seat, lift the lower control straight up.

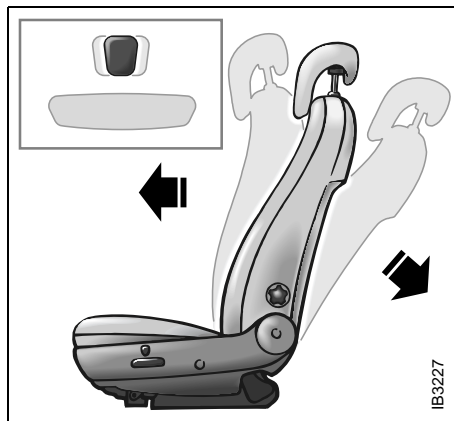
To lower the seat, press the lower control down.

The same control can be used to adjust the height of the front and rear edges of the seat independently.



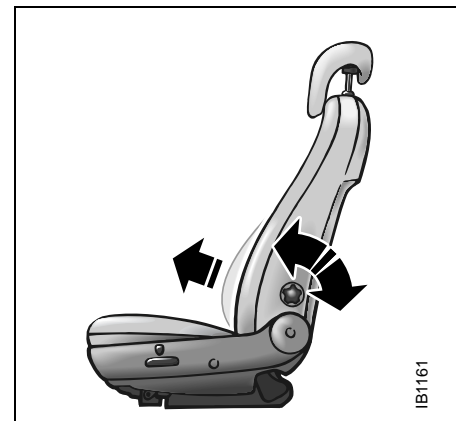
### Legroom adjustment

To adjust the legroom, push the lower control forward or back.



### Backrest rake angle

To adjust the backrest, move the upper control forward or back.

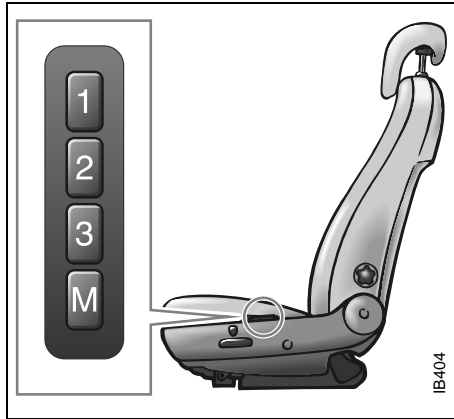


### Lumbar support \*

Turn the smaller wheel for stepless adjustment of the lumbar support.

**⚠ WARNING**

The backrest should be upright during driving, so that the safety belt, airbag and backrest can provide optimum protection in the event of emergency braking or a crash and in particular a rear-end collision.



### Memory driver's seat \*

In certain models the driver's seat is equipped with a programmable memory function. This function also includes the door mirrors.

Adjust the seat and door mirrors.

To save the settings, press and hold the M button and, at the same time, press one of the preselect buttons (1, 2 or 3). The Saab Information Display (SID) will chime to confirm that the settings have been saved.

To recall the programmed settings, press and hold the appropriate preset button, whereupon the seat and mirrors will be adjusted automatically.

To change the settings stored in a preset button, adjust the seat and mirrors as before and save the new settings by pressing M and the appropriate preset button.

To facilitate reversing, the passenger side door mirror can be tilted down automatically, e.g. to show the curb. To do this, select reverse and press the small grey button adjacent to the door-mirror control. When you deselect reverse, the mirror will automatically return to its original setting (see page 116).

## Head restraint

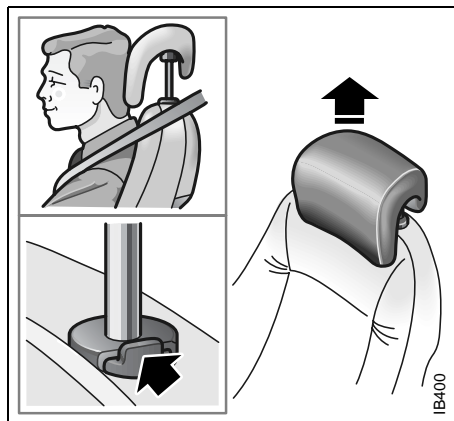
### WARNING

- Adjust the head restraint so that your head is optimally supported and the center of the head restraint is at ear height, thus reducing the likelihood of neck injury in a crash.
- Raise the head restraints in the seat that are occupied.

The front seats in the Saab 9-5 are equipped with Saab Active Head Restraints (SAHRs). These reduce the risk of whiplash injury if the car is hit from behind.

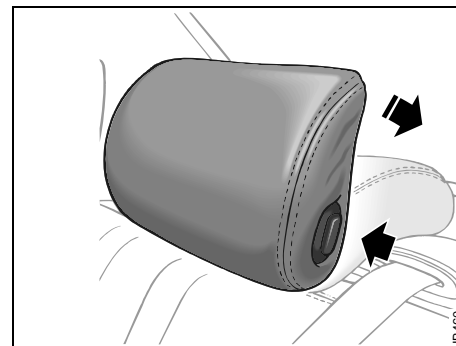
In the event of a rear-end crash, the body is forced back against the backrest. This, in turn, causes the mechanism to press the head restraint forward and upward, thus limiting the backward movement of the head. The SAHR is a mechanical system, actuated by body weight. The mechanism is built into the top of the backrest, where it is connected to the head restraint.

Therefore, the SAHR does not need to be replaced after a minor rear-end crash.



The head restraint can be raised or lowered and is adjustable in various positions.

- Raising: grasp the head restraint on both sides and pull it straight up.
- Lowering: press the catch on the left-hand side of the attaching point and press down the head restraint.



## Rear-seat head restraints

**9-5 Sedan:** The rear head restraints have three adjustment positions for passenger comfort.

They can also be folded down to increase the driver's rearward vision when the seat is unoccupied.

**9-5 SportCombi:** The height of the rear head restraints can be adjusted by depressing the catch on the left-hand collar in the same way as the front head restraints.

## Child safety

### WARNING

- Children must **always** be suitably restrained in the car.
- **ALWAYS** use SAFETY BELTS and CHILD RESTRAINTS.
- **NEVER** put a rear-facing child seat in the front.



- DEATH or SERIOUS INJURY can occur.
- Children 12 and under or shorter than 55 inches (140 cm) can be killed by the airbag.
- Sit as far back as possible from the airbag.
- The BACK SEAT is the SAFEST place for children.

## Car safety tips

### WARNING

- **Never** leave children unattended in a car, even for a short time.
  - Children can suffer heat stroke – perhaps die – in a matter of minutes.
  - Children can put the car into gear and hurt themselves or others.
- At gas stations, take the keys from the car while filling the tank.
- **Never** allow children to climb on top of – or under cars.
- **Always** look for children before backing your car out of a garage or driveway.
- To avoid carbon monoxide poisoning, **never** let a car idle in an enclosed garage.
- Supervise young children around buckets of water while washing your car. Small children can drown in a short time in less than an inch of water.

### WARNING

#### **Protect children from getting trapped in the trunk of a car**

- Teach children not to play in or around cars.
- Watch children when loading or unloading the car so they don't get locked in by mistake.
- **Always** lock the doors and trunk of your car, and keep the keys out of children's sight and reach.
- Keep the rear fold-down seats closed to help prevent kids from getting into the trunk from inside the car.

For Trunk Release Handle information see page 48 and 139.

The same attention must be given to child safety in the car as is given to adults.

Saab recommends rearward facing child restraints.

Children travel most safely when properly restrained, but restraints must be suitable for the size of the child. Always follow the child seat/booster cushion manufacturer's instructions when installing these devices in your vehicle.

**Make sure you are acquainted with the legal requirements for seating children in the car.**

Make sure that it is possible to fit a child restraint in accordance with the manufacturer's child seat instructions.

**When fitting child seats in cars you must always read the instructions supplied by the manufacturer.**

## Lower Anchorages and Top Tethers for Children (LATCH System)

Your vehicle has the LATCH system. There are LATCH anchors for the outboard seating positions of the second row, and a top tether anchor on the center position.

This system, designed to make installation of child restraints easier, does not use the vehicle's safety belts. Instead, it uses vehicle anchors and child restraint attachments to secure the restraints. Only use the attachments and straps provided with the child restraint.

If you have any questions regarding LATCH anchors, please contact your Saab dealer.

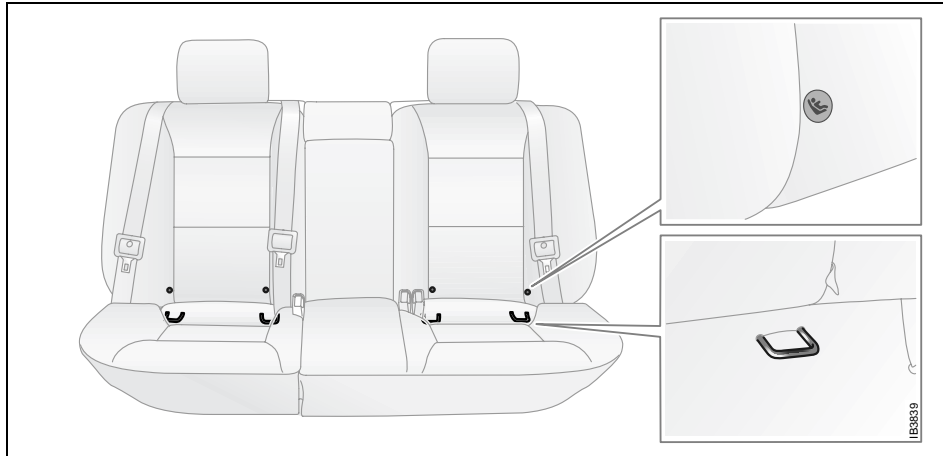
### WARNING

If a LATCH-type child restraint is not attached to its anchor points, the restraint will not be able to protect the child correctly. In a crash, the child could be seriously injured or killed. Make sure that a LATCH-type child restraint is properly installed using the anchor points, or use the vehicle's safety belts to secure the restraint, following the instructions that came with that restraint, and also the instructions in this manual.

### WARNING

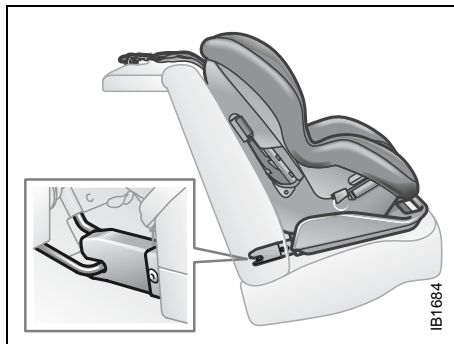
Child top tether anchorages are designed to withstand only those loads imposed by correctly fitted child restraints.

Under no circumstances are they to be used for adult safety belts.

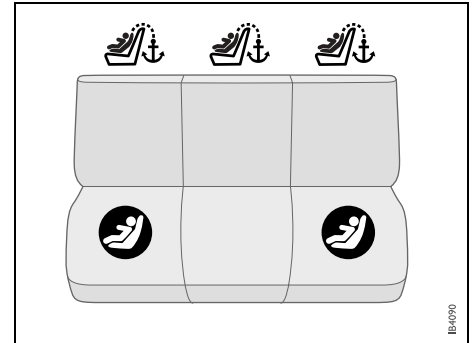
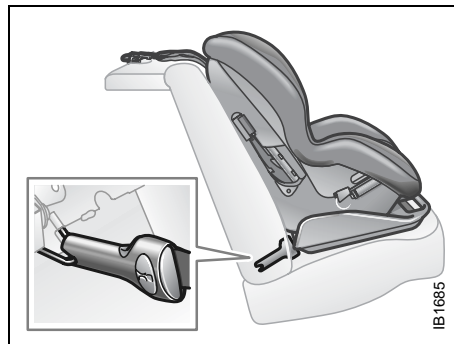


Location of lower anchors

Rigid 2-point lower attachment with top tether



Semi-rigid 2-point lower attachment with top tether



Lower anchor and top tether anchor locations.

IB4090

IB1684

IB1685



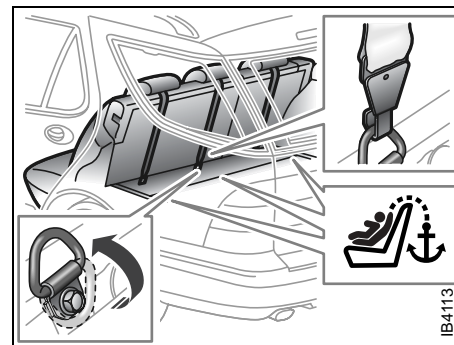
## Securing a Child Restraint Designed for the LATCH System



### 9-5 SportCombi:

Before installation, please read through these instructions and the child restraint installation instructions.

- 1 The top tether anchor is located on the cargo floor by the rear seat backrest's lower part (see picture). To access the top tether anchor, unlock the rear seat backrest (see page 133 for detailed instructions), and fold it slightly forward. **Note!** Backrest only, not the seat cushion.
- 2 The top tether anchor is originally rotated downwards. To use it, it has to be rotated upwards (see arrow in picture). Use the top tether anchor right behind the seating position you want to use.
- 3 Raise the vehicle head restraint to its highest position (see page 21 for detailed instructions).
- 4 Put the child restraint on the seat.
- 5 If you are using a single tether, route the tether under the vehicle head restraint, and attach the tether hook to the top tether anchor. If you are using a dual tether, route the tether around the vehicle head restraint, and attach the tether hook to the top tether anchor. **The child restraint instructions will show you how.**
- 6 Reposition the rear seat backrest, and make sure it locks properly. Check the indicator on top of the backrest that it is locked.
- 7 Find the lower anchors for the seating position you want to use. The lower anchors are located where the bottom of the seatback meets the back of the seat cushion. Above each lower anchor, there is a label indicating its location (see picture on page 24).
- 8 Attach and tighten the lower anchor attachments on the child restraint to the vehicle lower anchors. If your child restraint does not have the lower attachments, you will be using the lap-shoulder belt to secure the child restraint. **The child restraint instructions will show you how.**
- 9 Tighten the top tether strap according to the child restraint instructions.
- 10 Push and pull the child restraint in different directions to be sure it is secured at the lower anchors/safety belt and the top tether anchor. The child restraint shall be firmly attached to the vehicle.



*Child tether anchorages, Saab 9-5 SportCombi*

### **WARNING**

Make sure the child restraint anchorages are folded all the way up or down otherwise it can obstruct locking the rear seat backrest.

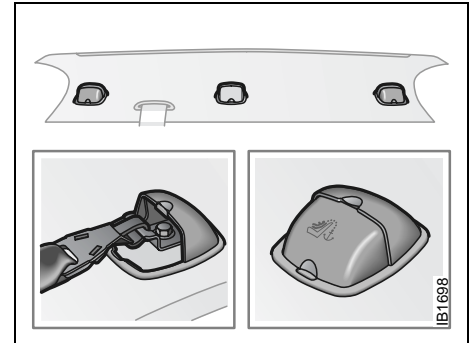
## Securing a Child Restraint Designed for the LATCH System



### 9-5 Sedan:

Before installation, please read through these instructions and the child restraint installation instructions.

- 1 Find the lower anchors for the seating position you want to use. The lower anchors are located where the bottom of the seatback meets the back of the seat cushion. Above each lower anchor, there is a label indicating its location (see picture).
- 2 Put the child restraint on the seat.
- 3 Attach and tighten the lower anchor attachments on the child restraint to the vehicle lower anchors. If your child restraint does not have the lower attachments, you will be using the lap-shoulder belt to secure the child restraint. **The child restraint instructions will show you how.**
- 4 The top tether anchor is located on top of the parcel shelf. Use the top tether anchor right behind the seating position you want to use. Open the top tether anchor trim cover to expose the anchor. Snap the cover to lock in open position.
- 5 Raise the vehicle head restraint to its highest position (see page 21 for detailed instructions).
- 6 If you are using a single tether, route the tether under the vehicle head restraint, and attach the tether hook to the top tether anchor. If you are using a dual tether, route the tether around the vehicle head restraint, and attach the tether hook to the top tether anchor. Tighten the top tether strap. **The child restraint instructions will show you how.**
- 7 Push and pull the child restraint in different directions to be sure it is secured at the lower anchors/safety belt and the top tether anchor. The child restraint shall be firmly attached to the vehicle.



*Child tether anchorages in parcel shelf, Saab 9-5 Sedan*

## Lockable latch plate

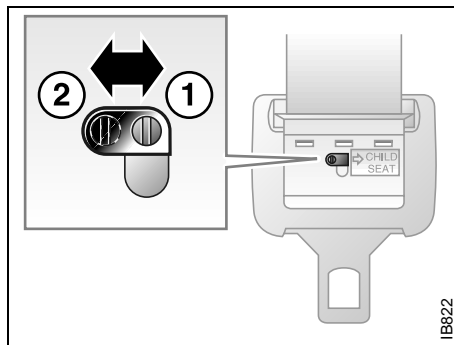
In fitting a child seat that is intended to be secured in position by the lap portion of the safety belt, make use of the locking function of the latch plate. This function is available on all seats in the second row.

Locking the lap portion of the belt lessens the risk that the seat will work loose while the car is in motion.

The button for the locking function is located on the back of the latch plate.

- 1 Put the child restraint on the rear seat.
- 2 Pick up the latch plate, and run the lap and shoulder portions of the vehicle's safety belt through or around the restraint. **The child restraint instructions will show you how.**
- 3 Buckle the belt. Make sure the release button is positioned so you would be able to unbuckle the safety belt quickly if you ever had to.
- 4 Tighten the safety belt. You may find it helpful to use your knee to push down on the child restraint as you tighten the belt.
- 5 While holding the safety belt tight, activate the locking function of the latch plate by moving the button from position 2 (unlocked) to position 1 (locked).
- 6 Push and pull the child restraint in different directions to be sure it is secure. The child restraint shall be firmly attached to the vehicle.

To deactivate the locking function, move the button to position 2.



### *Locking the lap belt*

- 1 Locked
- 2 Unlocked

**Installation of rear facing child restraints**

Child restraints that are approved for rear facing installation in the rear seat can be positioned in any of the three rear seating positions.

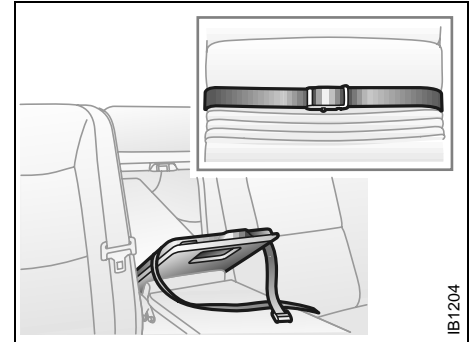
**! WARNING**

Failure to follow all the manufacturer's instructions on the use of this child restraint system can cause your child to strike the vehicle's interior during a sudden stop or crash.

**! WARNING**

A special accessory is available for locking the center armrest so that a child seat can be installed in the middle seat. See your Saab dealer for details.

When a rear-facing child seat is fitted in the center position of the rear seat in the Saab 9-5 Sedan the center armrest **must** be secured in place with this strap. If this is not done, the center armrest could swing down in the event of a frontal crash and cause injury to the child.



IB1204

*Fitting the locking strap on the center armrest, Saab 9-5 Sedan (not needed on SportCombi).*

## Airbag



### WARNING

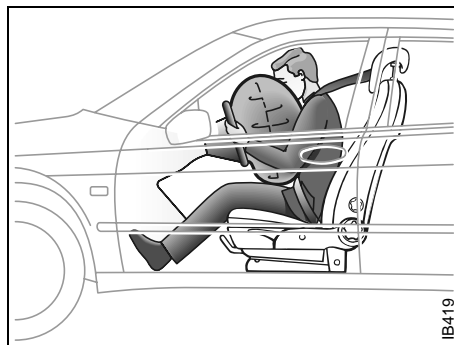
To reduce risk of injury:

- **Always** wear your safety belt.
- **Always** adjust your seat so that you are as far back as possible but still able to operate the pedals and reach the steering wheel and controls comfortably.
- Children 12 and under or shorter than 55 inches (140 cm) should **always** travel in the rear seat as the car is fitted with a passenger airbag.
- **Never** fit a child seat in front of the passenger airbag.

The AIRBAG system comprises an airbag in the steering wheel, a front passenger airbag and side airbags in the front seats.

The system supplements the protection provided by the safety belts to further enhance the safety of the occupants.

If a fault is detected in the AIRBAG, the AIR BAG warning light on the main instrument panel will come on (see pages 61 and 37).



*Inflated airbag (driver side)*

*Inflation and deflation together take less than 0.1 second.*

When the system is triggered by impact of a frontal crash, the airbags in the steering wheel and passenger side of the dash board are inflated, after which they deflate through vents in the back of the bags.

The entire process takes less than 0.1 second – literally, faster than the blinking of an eye.

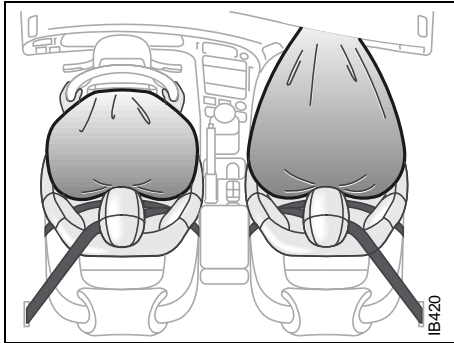
The driver and passenger airbags are referred to as ‘smart’ airbags. This means that the system compensates for factors such as the force of the collision.

### Note:

The sensor reacts differently depending on whether or not the front seatbelts on the driver's and passenger sides are used. Situations can therefore arise where only one of the airbags inflates.

It is also possible for only the seatbelt pretensioners to be activated and for the airbags to remain uninflated.

These airbags are triggered only by moderate to severe frontal or near-frontal crashes. They will not be activated by minor front-end impacts, rear-end or side impacts, or by the car rolling over.



Passenger airbag and driver's airbag both inflated

**! WARNING**

- Even if the car is equipped with AIR-BAG, safety belts must still **always** be worn by all occupants.
- Note that because an airbag inflates and deflates extremely rapidly, it will not provide protection against a second impact occurring in the same incident. **Always** use your safety belt.

- **Always** sit with the whole of your back in contact with the backrest of the seat, and with your seat as far back as is practical. Otherwise you will be thrown back against the backrest when the airbag inflates which could cause you injury or death. The airbag needs room in which to inflate.
- **Never** attach anything to the steering wheel or passenger side of the instrument panel, as this could result in injury if the airbag should inflate. The same applies to anything you might have in your mouth, such as a pipe, for instance.
- Some components of the airbag will be warm for a short time. In some circumstances the airbag can cause minor burns or abrasions to the body when the airbag inflates/deflates.
- To reduce the risk of head injuries in the event of a crash, the headliner and pillar trims incorporate energy absorbing material. These areas must not be modified in any way. Work on these areas must only be carried out by an authorized Saab dealer.
- Fumes are generated by the chemical reaction that inflates the airbag. Because the dust/fumes can, in certain cases, cause irritation to the skin, the following measures should be taken:  
Skin surfaces that show signs of irritation should be washed with clean water and a mild soap as soon as possible.  
In the event of eye irritation, flush the eyes thoroughly with clean water for at least 20 minutes.  
In case of persistent irritation, consult a doctor.
- **Never** rest your hands or forearms on the steering-wheel center padding.
- If the AIR BAG warning light does not extinguish after the car has been started, or comes on or flashes while driving, have the car checked immediately by a workshop. We recommend that you contact an authorized Saab dealer. The warning light could signify that the airbags may not inflate in a crash, or they could even inflate without a crash. See page 61.



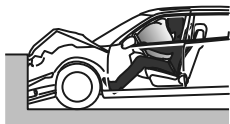
*Moment of impact.*



*The sensors detect deceleration and send a signal via the central sensor to the gas generator that inflates the airbag.*



*The inflating airbag cushions the driver.*

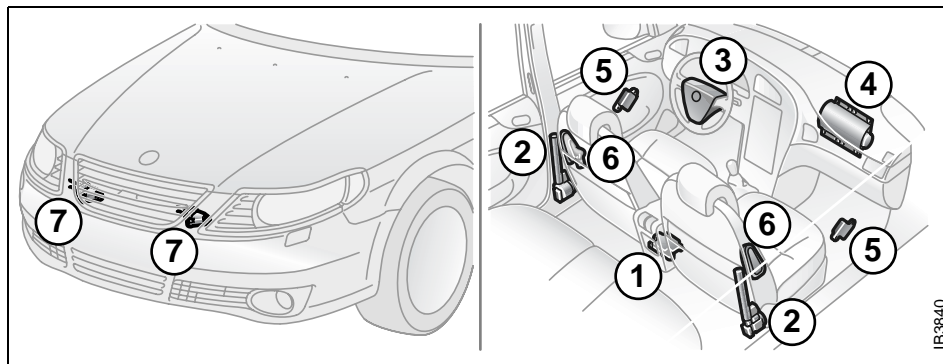


*Airbag now fully inflated.*



*The airbag starts to deflate.*

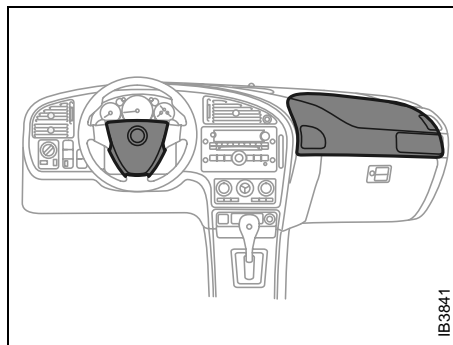
IB417



IB3840

**AIRBAG system with belt pretensioners**

- 1 Central sensor
- 2 Belt pretensioners (for both front safety belts)
- 3 Steering wheel with integral airbag
- 4 Passenger airbag
- 5 Side-airbag sensor
- 6 Side airbag
- 7 Front sensors



*Accessories and other equipment must not be fitted to the surfaces marked as these are where the airbags inflate in the event of a crash.*

IB3841

## Front passenger seat



### WARNING

**Never** secure a rear-facing child seat in the right front seat of a car equipped with a passenger airbag. Inflation of the airbag in the event of a crash could seriously injure or kill a child.

The airbags are interconnected and have a common warning light. The passenger airbag module is housed in the fascia above the glove compartment and is marked "SRS AIRBAG". (SRS = Supplementary Restraint System.)

Both airbags will be inflated in the event of a moderate to severe frontal, or near-frontal crash, even if the passenger seat is unoccupied.

### WARNING



- DEATH or SERIOUS INJURY can occur.
- Children 12 and under or shorter than 55 inches (140 cm) can be killed by the airbag.
- The BACKSEAT is the SAFEST place for children.
- NEVER put a rear-facing child seat in the front.
- Sit as far back as possible from the airbag.
- ALWAYS use SAFETY BELTS and CHILD RESTRAINTS.
- **Never** allow a child to stand in front of the seat or to sit on the lap of a front-seat passenger. Serious injury or death could result if the airbag is inflated in a crash.
- The glove compartment must be closed while travelling. An open glove compartment door could cause leg injuries in the event of a crash.

- **Never** place anything on the dash or in front of the seat as, in addition to being a hazard to passengers, this could interfere with the function of the airbag in the event of a crash. The same applies to the mounting of accessories on the dash.
- Keep feet on the floor – never put feet up on the fascia, on the seat or out of the window.
- Do not carry anything in your lap.



## Passenger Sensing System

Vehicles with a passenger sensing system have indicator LEDs on the fascia. The indicators will be lit during the system check when you turn your ignition key to ST or ON. When the system check is complete, either the ON or the OFF LED, will be lit. See AIRBAG warning light on page 61. If your vehicle does not have the indicators pictured, then your vehicle does not have the passenger sensing system.

The passenger sensing system will turn off the right front passenger's frontal airbag and side airbag under certain conditions.

The driver's airbags is not part of the passenger sensing system.

The passenger sensing system works with sensors that are part of the right front passenger's seat and safety belt. The sensors are designed to detect the presence of a properly-seated occupant and determine if the passenger's frontal airbag should be enabled (may inflate) or not.

Accident statistics show that children are safer if they are restrained in the rear rather than the front seat.

Saab recommends that child restraints be secured in a rear seat, including an infant riding in a rear-facing infant seat, a child riding in a forward-facing child seat and an older child riding in a booster seat.

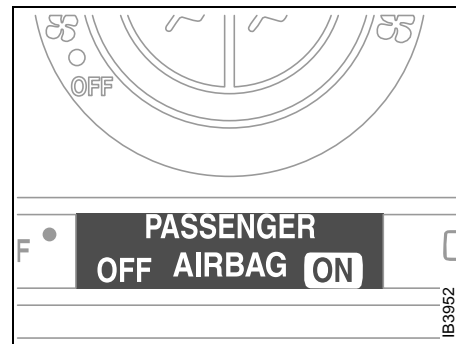
Your vehicle has a rear seat that will accommodate a rear-facing child restraint. A label on your sun visor says, "Never put a rear-facing child seat in the front." This is because the risk to the rear-facing child is so great, if the airbag deploys.



### WARNING

A child in a rear-facing child restraint can be seriously injured or killed if the right front passenger's airbag inflates. This is because the back of the rear-facing child restraint would be very close to the inflating airbag.

Even though the passenger sensing system is designed to turn off the passenger's frontal airbag if the system detects a rear-facing child restraint, no system is fail-safe, and no one can guarantee that an airbag will not deploy under some unusual circumstance, even though it is turned off. Saab recommends that rear-facing child restraints be secured in the rear seat, even if the airbag is off.



*Passenger Airbag Status Indicator.  
USA indicator shown, Canada similar*

The passenger sensing system is designed to turn off the right front passenger's frontal airbag if:

- the right front passenger seat is unoccupied
- the system determines that an infant is present in a rear-facing infant seat
- the system determines that a small child is present in a forward-facing child restraint
- the system determines that a small child is present in a booster seat
- a right front passenger takes his/her weight off of the seat for a period of time
- the right front passenger seat is occupied by a smaller person, such as a child who has outgrown child restraints
- or if there is a critical problem with the airbag system or the passenger sensing system.

When the passenger sensing system has turned off the passenger's frontal air bag, the off indicator will light and stay lit to remind you that the airbag is off.

If a child restraint has been installed (Saab recommends that child restraints be secured in the rear seat) and the on indicator is lit, turn the vehicle off. Remove the child restraint from the vehicle and reinstall the child restraint following the child restraint manufacturer's directions and refer to Installation of rear facing child restraints on page 28.

If after reinstalling the child restraint and restarting the vehicle, the on indicator is still lit, check to make sure that the vehicle's seatback is not pressing the child restraint into the seat cushion. If this happens, slightly recline the vehicle's seatback and adjust the seat cushion if possible. Also make sure the child restraint is not trapped under the vehicle head restraint. If this happens, adjust the head restraint.

If the on indicator is still lit, secure the child in the child restraint in a rear seat position in the vehicle and check with your dealer.

The passenger sensing system is designed to enable (may inflate) the right front passenger's frontal airbag anytime the system senses that a person of adult size is sitting properly in the right front passenger's seat. When the passenger sensing system has allowed the airbag to be enabled, the on indicator will light and stay lit to remind you that the airbag is active.

For some children who have outgrown child restraints and for very small adults, the passenger sensing system may or may not turn off the right front passenger's frontal airbag, depending upon the person's seating posture and body build. Everyone in your vehicle who has outgrown child restraints should wear a safety belt properly — whether or not there is an airbag for that person.

If a person of adult-size is sitting in the right front passenger's seat, but the off indicator is lit, it could be because that person is not sitting properly in the seat. If this happens, turn the vehicle off and ask the person to place the seatback in the fully upright position, then sit upright in the seat, centered on the seat cushion, with the person's legs comfortably extended. Restart the vehicle and have the person remain in this position for about two minutes. This will allow the system to detect that person and then enable the passenger's airbag.

 **WARNING**

If the airbag readiness light in the instrument panel cluster ever comes on and stays on, it means that something may be wrong with the airbag system. If this ever happens, have the vehicle serviced promptly, because an adult-size person sitting in the right front passenger's seat may not have the protection of the frontal airbag. See Airbag warning light on page 61 for more on this, including important safety information.

Aftermarket equipment, such as seat covers, can affect how well the passenger sensing system operates. You may want to consider not using seat covers or other aftermarket equipment if your vehicle has the passenger sensing system. See Adding Equipment to Your Airbag-Equipped Vehicle on page 41 for more information about modifications that can affect how the system operates.

 **WARNING**

Stowing of articles under the passenger's seat or between the passenger's seat cushion and seatback may interfere with the proper operation of the passenger sensing system.

## Side airbags



### WARNING

- This car is equipped with side airbags and no extra interior trim should be fitted. Failure to observe this warning could result in the side airbags not inflating as intended and thus not providing the intended protection either.
- Never place any object in the area that would be occupied by the inflated airbag.
- For optimum protection, sit upright in the seat, with your safety belt correctly fastened.
- The sensors for the side airbags are fitted in the front doors. We advise against doing any work on the doors that could affect the moisture barrier in the door or the airbag sensors. It is essential that the moisture barrier (thick plastic film) in the front door is not damaged in any way.

- Improvement of the anticorrosion treatment of the doors should only be carried out by a workshop. We recommend that you contact an authorized Saab dealer. Otherwise there is a risk that the side impact sensor and the moisture barrier in the front door could be damaged.
- The side airbags will inflate only in the event of a side impact; not in the event of a front or rear-end crash or of the car's rolling over.
- Damage or wear to the seat cover, or the seat seam, in the area of the side airbag must immediately be repaired. We recommend that you contact an authorized Saab dealer.
- Do not modify the speaker installation in the front doors or install speakers other than those specifically approved by Saab.

The side airbags, which help protect the upper body are integrated in the outside edges of the front seat backrests.

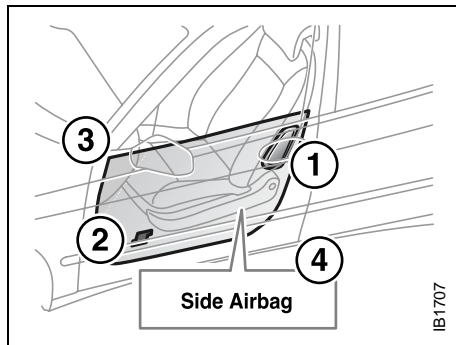
In a side impact, only the airbag on that side will be activated, and only then if certain pre-determined conditions are met such as the force and angle of the impact, the speed of the car on impact, and at which point on the car's side the impact occurs.

The sensors, which are fitted in the front doors, sense the rise in pressure caused by the door panel being pressed in during an impact condition. The side airbag trigger will be commanded based on the characteristics of this pressure rise.



IB1182

Side airbag inflated



IB1707

Side airbag components

- 1 Side airbag
- 2 Sensor
- 3 Moisture barrier
- 4 Text on seat

## AIRBAG warning light



**WARNING**

- If the airbag readiness light stays on after you start your vehicle, it means the airbag system may not be working properly. See page 61. The airbags in your vehicle may not inflate in a crash, or they could even inflate without a crash.
- To help avoid injury to yourself or others, have your vehicle serviced right away if the airbag readiness light stays on after you start your vehicle.

## What Will You See After an Airbag Inflates?

After an airbag inflates, it quickly deflates, so quickly that some people may not even realize the airbag inflated. Some components of the airbag module - the steering wheel hub for the driver's frontal airbag, the instrument panel for the right front passenger's frontal airbag or the ceiling of your vehicle near the side windows - will be hot for a short time. The parts of the bag that come into contact with you may be warm, but not too hot to touch. There will be some smoke and dust coming from the vents in the deflated airbags. Airbag inflation does not prevent the driver from seeing or being able to steer the vehicle, nor does it stop people from leaving the vehicle.



When an airbag inflates, there is dust in the air. This dust could cause breathing problems for people with a history of asthma or other breathing trouble. To avoid this, everyone in the vehicle should get out as soon as it is safe to do so. If you have breathing problems but cannot get out of the vehicle after an airbag inflates, then get fresh air by opening a window or a door. If you experience breathing problems following an airbag deployment, you should seek medical attention.

In many crashes severe enough to inflate an airbag, windshields are broken by vehicle deformation. Additional windshield breakage may also occur from the right front passenger airbag.

- Airbags are designed to inflate only once. After an airbag inflates, you will need some new parts for your airbag system. If you do not get them, the airbag system will not be there to help protect you in another crash. A new system will include airbag modules and possibly other parts. The service manual for your vehicle covers the need to replace other parts.
- Your vehicle is equipped with a crash sensing and diagnostic module which records information after a crash. See Vehicle Data Collection and Event Data Recorders on page 257.
- Let only qualified technicians work on your airbag system. Improper service can mean that your airbag system will not work properly. See your dealer for service.

 **WARNING**

If you damage the covering for the driver's or the right front passenger's airbag, or the side impact airbag covering on the ceiling near the side windows, the bag may not work properly. You may have to replace the airbag module in the steering wheel, both the airbag module and the instrument panel for the right front passenger's airbag, or side impact airbag module and ceiling covering for the roof-mounted side impact airbag. Do not open or break the airbag coverings.

**AIRBAG servicing**

The airbag must be inspected as part of the normal service program but otherwise may be regarded as maintenance-free.

**Scrapping or working on airbags and belt pretensioners** **WARNING**

- Under no circumstances should any modifications be made that affect the steering wheel or the airbag's electrical circuitry.
- Before starting any welding work on the car, always disconnect the negative (-) battery lead and cover the conductor.
- Airbags and belt pretensioners must be deployed under controlled conditions before the car is scrapped or any of the system's components are removed. Airbags or belt pretensioners that have been deployed as a result of a crash must be replaced by new ones.
- Airbag-system components must never be transferred for use in another vehicle.

- All work involving the scrapping or replacement of airbags or belt pretensioners must only be carried out by knowledgeable personnel.
- The headlining and roof pillar trim must not be modified in any way. Work on these areas must only be carried out at a Saab dealer.

## Frequently asked questions on function of airbags

*Do you still need to wear a safety belt if airbags are fitted?*

**Yes, always!** The airbag merely supplements the car's normal safety system. Moreover, the airbag will only be actuated in a moderate to severe frontal, or near-frontal crash, which means, of course, that it provides no protection in minor frontal crashes, major rear-end or side-on crashes or if the car rolls over.

The safety belts help reduce the chance of the car occupants from being thrown around and injured or killed inside the car.

But they also ensure that, if a crash occurs in which the airbags are inflated, the airbag will make the optimum contact with the occupant, i.e. square on from the front. If the occupant meets the airbag in an offset position, the protection afforded will be reduced.

In addition, airbags provide no protection against a secondary impact occurring in the same incident. So there is no doubt about the benefit of wearing safety belts at all times.

Do not sit too close to the airbag: it needs room to inflate.

The airbag inflates very quickly and powerfully in order to protect an adult person, before they are thrown forward, in a serious frontal crash.

*How do I position the seat to leave room for the airbag to inflate?*

Don't have your seat too far forward.

Recline the seat back to increase the distance between you and the airbag. For short drivers, special accessory pedal extensions are available through your Saab dealer.

Airbags inflate extremely rapidly and with great force – to be fast enough to protect an adult in the seat.

*When do the front airbags inflate?*

The airbag will only be inflated under certain predetermined conditions in a moderate to severe frontal, or near-frontal crash, depending on such factors as the force and angle of the impact, the speed of the car on impact, and the resistance to deformation of the impacting object.

The airbag can only be activated once in the same incident.

**Do not** attempt to drive the car after an airbag has been inflated, even if it is possible.

*What won't trigger the front airbags?*

The airbag will not be activated in all front-end crashes. For instance, if the car has hit something relatively soft and yielding (e.g. a snow drift or a hedge) or a solid object at a low impact speed, the airbag will not necessarily be triggered.

*How loud is the inflation?*

The noise of the inflation is certainly loud, but it is very short-lived and will not damage your hearing. For a short time afterwards you could experience a buzzing noise in your ears.

Most people who have experienced it cannot remember the noise of the inflation at all – all they remember is the noise of the crash.

*Can you still use a child seat in the front if a passenger airbag is installed?*

**Definitely not!**

- Children 12 and under or shorter than 55 inches (140 cm) can be killed by the airbag.
- The BACK SEAT is the SAFEST place for children.
- NEVER put a child seat in the front.
- Sit as far back as possible from the airbag.
- Always use safety belts and child restraints.



*Are the smoke and fumes given off when the airbag operates at all harmful?*

Most people who have remained in a car with little or no ventilation for several minutes complained only of minor irritation of the throat and eyes. Avoid as far as possible getting dust on your skin as there is a risk of skin irritation.

If you suffer from asthma, the incident may bring on an attack, in which case you should follow the normal procedure advised by your doctor. It is advisable to consult a doctor afterwards.

*What should I do if the AIRBAG warning light comes on?*

If the warning light is on, it means that a fault has been detected in the system. The airbag cannot be relied on to operate as intended and it might even be activated erroneously. You should therefore take the car to an authorized Saab dealer as soon as possible.

## **Adding Equipment to Your Airbag-Equipped Vehicle**

*Is there anything I might add to the front or sides of the vehicle that could keep the airbags from working properly?*

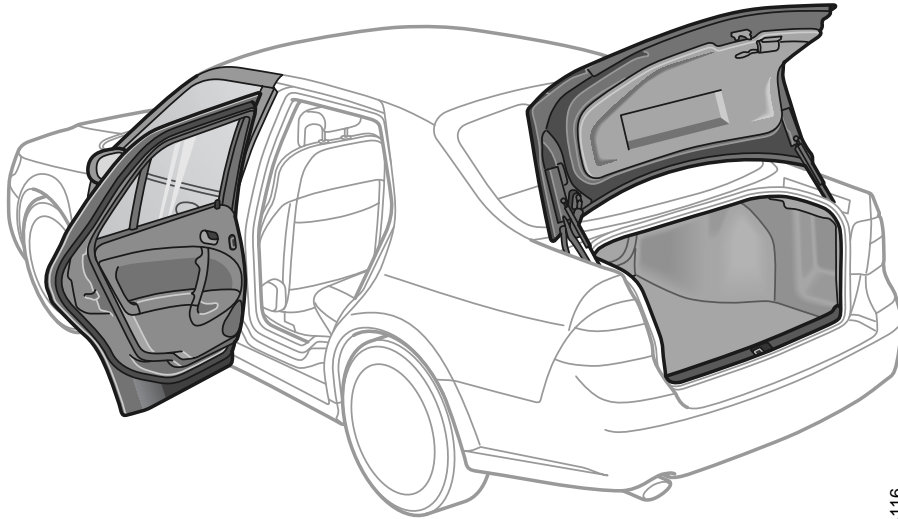
Yes. If you add things that change your vehicle's frame, bumper system, front end or side sheet metal or height, they may keep the airbag system from working properly. Also, the airbag system may not work properly if you relocate any of the airbag sensors. If you have any questions about this, you should contact Saab Customer Assistance before you modify your vehicle. The phone numbers and addresses for Customer Assistance can be found on page 255.

*Because I have a disability, I have to get my vehicle modified. How can I find out whether this will affect my advanced airbag system?*

Changing or moving any parts of the front seats, safety belts, the airbag sensing and diagnostic module or the inside rearview mirror can affect the operation of the advanced airbag system. If you have questions, call Customer Assistance. The phone numbers and addresses for Customer Assistance can be found on page 255.

(This page has been left empty.)

# Security



IB4116

Doors _____	44
Central locking _____	44
Car alarm _____	50

\* Asterisk means: equipment not fitted in all cars (can depend on model variant, engine variant, market specification, options or accessories).

## Doors

### Door handles

**Pull** the handle to open the door.

If the door is stuck (e.g. if frozen), hold the handle from above to secure a better grip.

## Central locking



### WARNING

Leaving children or pets unattended in a locked car is dangerous. It is also dangerous to leave children in a vehicle with the ignition key. A child or others could be badly injured or even killed.

## Key / Remote control

The key unit consists of a mechanical key with integrated remote control.

The mechanical key is used for manual locking and unlocking.

The remote control is used for remote locking and unlocking.

The key fits all the car's locks.

The key supplied with the car has a code number on a black plastic tag that needs to be quoted for ordering additional keys. You should therefore make a careful note of the number.

The key contains a unique electronic code for your car. When the key is inserted in the ignition, the code is checked. If it matches, the car can be started.

Your car is supplied with two keys. It is possible to have up to four keys for a car at one time. If you lose one key you should have this replaced as soon as possible by contacting your Saab dealer. When the new key is programmed into the system, the missing key is automatically erased.

**NOTE:** For this reason, we strongly advise you to take two keys with you on long journeys and to keep them separate. If all keys are lost, it will be necessary to replace costly electronic components as well as the keys. This loss and replacement cost is not covered by the new car warranty.

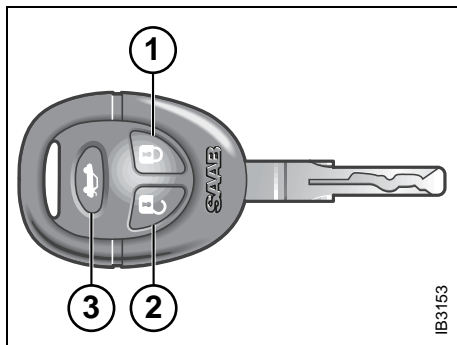
If an additional key is to be added, all of the original keys must be brought to the dealer so that the control module can "learn" to recognize the new components.

### NOTICE

The key contains delicate electronics.

- Do not expose it to water.
- Avoid rough handling.
- Do not place the key where it may be subjected to high temperatures, e.g. on the instrument panel.
- The key may malfunction if it becomes very cold. Warm it in your hands for a couple of minutes.
- Never open the key. For changing the battery, see page 49.

To check the number of keys that are programmed for the car; see page 54.



IB3153


#### Key / Remote control

- 1 To lock
- 2 To unlock
- 3 Opening the trunk (9-5 Sedan)  
Unlocking the tailgate (9-5 SportCombi)


## Locking/unlocking the car

When the car is locked and unlocked the theft alarm is also affected.


### Remote locking

Press  once on the control: all doors locked.

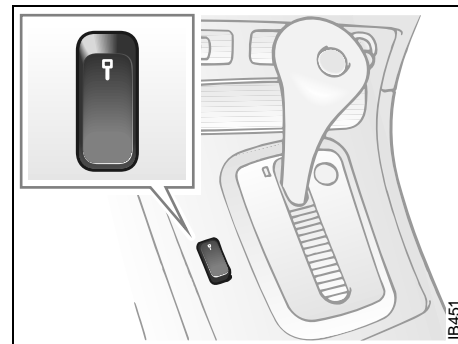
The hazard warning lights will flash once. The trunk/tailgate release switch on the driver's door will not work when all doors are locked.

It is now not possible to unlock the doors from within using the  button on the centre console.

### Remote unlocking


Press  once on the control: the driver's door is unlocked. Press a second time to unlock the rest of the doors but not the trunk/tailgate.

The hazard warning lights will flash twice.



IB451

#### Switch for operation of central locking

The central locking can also be operated from inside the car by means of the  switch on the center console.

This switch is inoperative when the car is locked from the outside using the remote control.

The interior locking buttons on each door affect only the respective door.

If the car is left with the doors open, the interior lighting and the courtesy lights in the doors will be switched off automatically after 20 minutes, to prevent a drain on the battery. In such cases the electrically operated seats will not function.

### **WARNING**

The remote control also works from inside the car. Therefore, hold the key in such a way that the buttons are not unintentionally pressed when the key is turned, or inserted or removed from the ignition switch.

Otherwise, the doors may be unintentionally locked or the tailgate unlocked. On Sedan models, the trunk may even be opened.

Having the doors locked when you are driving will reduce the likelihood of:

- Passengers, especially children, opening doors and falling out of the car.
- Intruders entering the car when it is moving slowly or at a standstill.

However, you must also remember that locked doors can hamper rescuers in the event of a crash.

### **If remote unlocking should fail to work**

Unlock the front door with the key. To silence the alarm, insert the key into the ignition switch and turn it to the ON position.

The car can now be started. Contact a workshop to have the system checked and repaired. We recommend that you contact an authorized Saab dealer.

### **Locking by key (1)**

When the car is locked and unlocked the theft alarm is also affected.

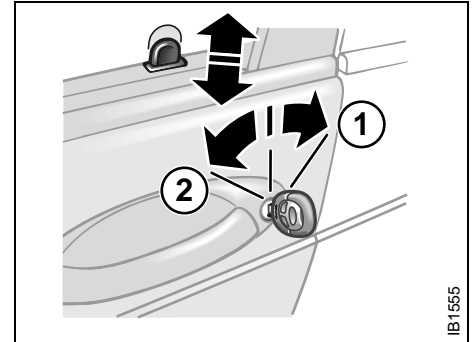
Turn the key clockwise: all doors locked.

The trunk/tailgate release/unlock switch on the driver's door will not work when all doors are locked. Nor will the switch on the center console.

### **Unlocking by key (2)**

Turn the key counterclockwise once: the driver's door will unlock.

Turn the key counterclockwise twice: all doors, but not tailgate, unlocked. Switch in driver's door and switch in center console enabled.



*Locking/unlocking by key*

- 1 To lock
- 2 To unlock

## Child safety locks

The rear doors are equipped with child safety locks that are operated by means of a catch adjacent to the door lock.

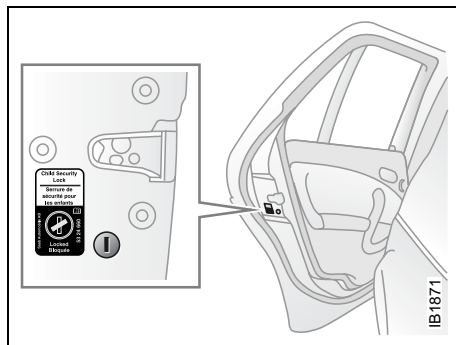
Insert a key and turn the catch 45° clockwise or counterclockwise as indicated by the label on the door.

When the child safety catch is in the locked position, the door cannot be opened from the inside.

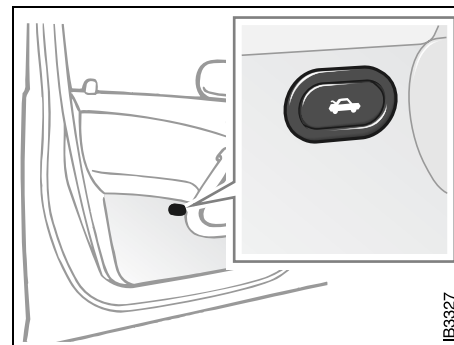


### WARNING

If small children ride in the rear seats, the safety locks on rear doors should be activated to prevent unintentional opening from the inside.



*Child safety lock on rear doors*




*Trunk lid switch*

## Trunk lid lock, 9-5 Sedan

The trunk lid lock is independent of the central-locking system. The trunk lid release switch on the driver's door is inoperative when the car is locked from the outside or moving at a speed greater than 2.7 mph (4 km/h).

**Unlocking**

The trunk lid is slightly opened/unlocked using:

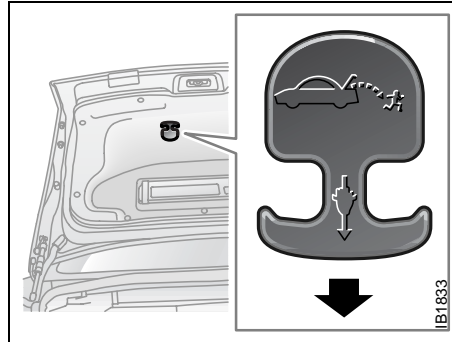
- The  button on the key
- The trunk lid switch on the inside of the driver's door (if the car is unlocked and at a standstill)

Remote unlocking is confirmed by the direction indicators flashing three times.

The trunk lid switch on the driver's door is inoperative when the car is locked.

**Locking**

The trunk lid release is locked automatically when closed.



*Trunk Release Handle*

**Trunk Release Handle**

There is a glow-in-the-dark trunk release handle located inside the trunk on the latch. This handle will glow following exposure to light. Pull the release handle down to open the trunk from the inside.

**NOTICE**


The trunk release handle was not designed to be used to tie down the trunk lid or as an anchor point when securing items in the trunk. Improper use of the trunk release could damage it.

**Tailgate, 9-5 SportCombi**

The tailgate is not unlocked when the other car doors are unlocked. The tailgate button on the driver's door is inoperative when the car is locked from outside or moving at a speed greater than 2.7 mph (4 km/h).

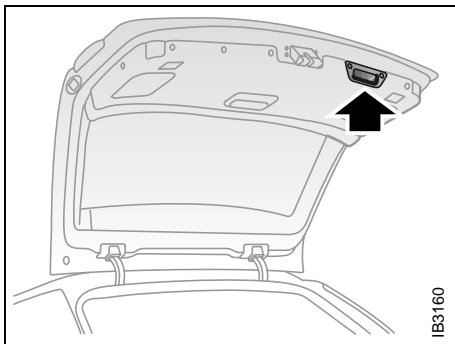
**Unlocking**

The tailgate is unlocked using:

- The  button on the key
- The tailgate switch on the inside of the driver's door (if the car is unlocked and at a standstill)

Unlocking is confirmed by the direction indicators flashing three times.





Grab handle

## NOTICE



Use the grab handle to assist in closing the tailgate.

Avoid the following, due to the risk of lock mechanism damage when the tailgate is closed.

- Never grasp the lock mechanism as this can lock the mechanism.
- Never close the lock mechanism manually.

## Locking

The tailgate is locked using:

- The  button on the key
- The  button on the centre console
- The key in the driver's door.
- When vehicle speed exceeds 2.7 mph (4 km/h).

## Electronic starting interlock (immobilizer)

Each time the key is removed from the ignition, the electronic starting interlock is activated and the car is thus immobilized, see also page 51.

## Reprogramming lock system functions

Certain lock system functions can be reprogrammed by your authorized Saab dealer; see page 272.

## Changing the key battery

When the battery voltage in the key falls below a predetermined level the Saab Information Display (SID) will issue the following message:

"Remote control battery low. Replace battery."

Press the CLEAR button on the SID to acknowledge this message. You must then replace the battery without delay to avoid malfunctions. The life of the battery is normally 4 years. Contact a Saab dealer to have the battery replaced.

## Car alarm

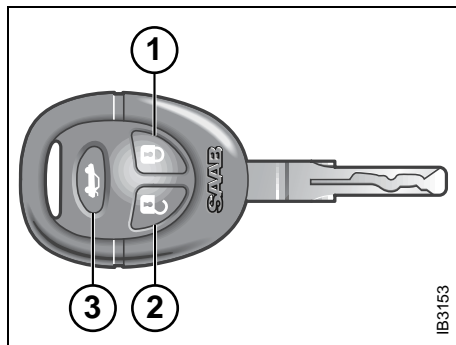
### WARNING

Leaving children or pets unattended in a locked car is dangerous. It is also dangerous to leave children in a vehicle with the ignition key. A child or others could be badly injured or even killed.

The car alarm (anti-theft system) is activated/deactivated when the car is locked/unlocked by the remote control or by the key, see page 45.

The antenna for the alarm system is located in the center console.

All the doors plus trunk lid/tailgate and hood are monitored by microswitches.



#### Remote control

- 1 Activate/lock
- 2 Deactivate/unlock
- 3 Unlock trunk/tailgate  
Unlocking the tailgate (9-5 SportCombi)

Your Saab 9-5 is equipped with an Electronic starting interlock (immobilizer), see page 51 for details.

The car alarm is armed 10 seconds after the car has been locked by the remote control. During this ten-second delay period, the doors, trunk lid/tailgate and hood may still be opened without the alarm being triggered.

The LED indicator on the instrument panel fascia will be on continuously during this period, at the end of which it will start to flash (once every other second).

If a door or the trunk lid/tailgate or hood has been left open when the car is locked, the LED on the fascia will flash (three times per second) for ten seconds to indicate this.

Check to ensure that all the doors, plus trunk lid/tailgate and hood, are closed properly.

If the fault persists (LED flashing when another attempt is made to activate the car alarm by remote control), lock the car using the key instead. The car alarm will not have been activated and you should contact an authorized Saab dealer.

To avoid inconvenience caused by the alarm being triggered inadvertently, make sure that anyone else using the car is familiar with how both the car alarm and the locking system work.

If the alarm is tripped (the direction indicators are flashing and the horn is on) it can be turned off by unlocking the car using the

 button.

## Activating the car alarm

The car alarm cannot be activated if the driver's door is open or if the ignition switch is in ON position.

If one of the other doors or the trunk or hood is open or opened and not closed again during the 10-second delay period, it will be excluded from the alarm function.

If it is then closed, a new delay period of ten seconds will start, and the door (or trunk or hood) will once again be secured by the alarm system.

As usual, the LED will be on continuously during the new delay period and will start to flash once every other second after the 10-second period has elapsed.

## Electronic starting interlock (immobilizer)

When the key is inserted in the ignition, a signal is sent to the receiver. If the signal is verified, the engine can be started.

Each time the key is removed from the ignition, the electronic immobilizer is activated. This means that the car cannot be started without the correct key inserted in the ignition and the immobilizer thus deactivated.

If a fault is detected (e.g. in the transmitter)

"Key not accepted.

Contact service."

will appear on the Saab Information Display (SID).

In this case, you can still start the car if you turn the ignition key to ON and press one of the buttons on the key (providing that the receiver gets the right signal from the key).

Take the car to an authorized Saab dealer to have the system checked.

The LED double-flashes when the car is immobilized.

## Alarm signals

When the car alarm is armed, it will be triggered if any door, or the trunk lid or hood, is opened.

The alarm will also be triggered if an attempt is made to bypass or short-circuit the ignition switch, or to disconnect the battery.

If the alarm is triggered, the following alarm signals will be set off:

- Flashing of hazard warning lights for five minutes.
- Horn wailing for 30 seconds.

The alarm signals will stop if the alarm is deactivated (car unlocked) during the alarm period.

## Panic-function

In the car alarm system there is a feature called "Panic-function".

To activate panic function:

- Push and hold one of the buttons on the key for 2 seconds. Or, if you are sitting inside the car, push the LOCK-switch on the center console for 2 seconds.

These actions will trigger the alarm (hazard warning lights and horn).

To deactivate panic function:

- Push one of the buttons on the key, push the LOCK-switch in the center console, turn the key in the driver's door or turn the ignition to ON.

When the panic-function is activated the car will be locked/unlocked depending upon which button was pushed.

When the ignition is ON the panic-function cannot be activated.

## Overview of functions

Locking/ activation	Hazard warning lights flash once. The LED will come on for 10 seconds.
Unlocking/ deactivation	Hazard warning lights flash twice. The LED will come on for two seconds.
Unlocking/ deactivation of trunk lid/tailgate alarm	Hazard warning lights flash three times. The LED will flash three times per second for 10 seconds.
Alarm triggered	Hazard warning lights flash for 5 min. Horn wails for 30 seconds. To switch off the alarm, deactivate the system in the normal way (unlocking).
Key	The range of the key is normally 5–10 yds. (5– 10 metres), although it can be substantially more than this in ideal conditions (range can vary greatly depending on the position of the car and its surroundings). If the key is not working, it may be because the code signal has not been synchronized with that in the control module for the car alarm. To rectify this, press the unlock button on the key at least four times in quick succession. When it is recog- nized, the door locks will cycle. If a key is lost, the new one will have to be pro- grammed (all keys must be present) to match the car's unique security code. We recommend that you contact an authorized Saab dealer.

Battery for key	The battery for the key will normally have a life of 4 years. When the battery needs changing, "Remote control battery low. Replace battery." will appear on the Saab Information Display (SID). We recommend that you contact an authorized Saab dealer.
Car-battery voltage	If the battery is disconnected while the alarm is active (car is locked), for example during an attempt to steal the car, the alarm will be triggered.

Alarm signals may differ between model variants for different countries.

**Some of the car-alarm functions can be reprogrammed – consult your Saab dealer for further details (see page 272).**

## Overview of LED signals and SID messages

Status	LED signal
Activation (during 10-second delay).	Comes on for 10 seconds.
Alarm activated (after delay).	Flashes once every other second.
Deactivation.	Comes on for 2 seconds.
Alarm not activated.	Off.
Door, trunk lid/tailgate or hood open or opened during delay period.	Flashes three times per second for 10 seconds.
Unlocking the trunk lid/tailgate.	Flashes three times per second for 10 seconds.
Closing of door, trunk lid/tailgate or hood after delay period.	Comes on for 10 seconds.
Car immobilized but not locked. Car alarm not activated.	Flashes twice at three seconds intervals.
Fault in a switch serving doors, hood or trunk lid.	Flashing (instead of being on continuously) during delay period.

Some signals may differ between model variants for different countries.

SID message	Reason/action
Theft protection failure. Contact service.	Probably a fault in one of the sensors or the horn. Have the car checked by a workshop. We recommend that you contact an authorized Saab dealer.
Key not accepted. Contact service.	Fault in key transmitter or in ignition-switch receiver. Turn ignition switch to ON and press the unlock button on the key. Start the engine. Have the car checked by a workshop. We recommend that you contact an authorized Saab dealer.
Remote control battery low. Replace battery.	Fit a new battery in the key. We recommend that you contact an authorized Saab dealer.
<ul style="list-style-type: none"> <li>• REMOTE KEY</li> <li>• TRANSPONDR</li> </ul>	Turn the ignition key to position ON and then press the button for opening the trunk lid. Saab Information Display (SID) displays the number of keys and transmitters (transponders) coded to the car.

This device complies with Part 15 of the FCC Rules. Operation is subject to the following two conditions: (1) this device may not cause harmful interference, and (2) must accept any interference received, including interference that may cause undesired operation.

Changes or modifications not expressly approved by the manufacturer could void the user's authority to operate the equipment.

Canada only:

This device complies with RSS-210 of Industry Canada. Operation is subject to the following two conditions: (1) this device may not cause interference, and (2) this device must accept any interference, including interference that may cause undesired operation of the device.

(This page has been left blank)

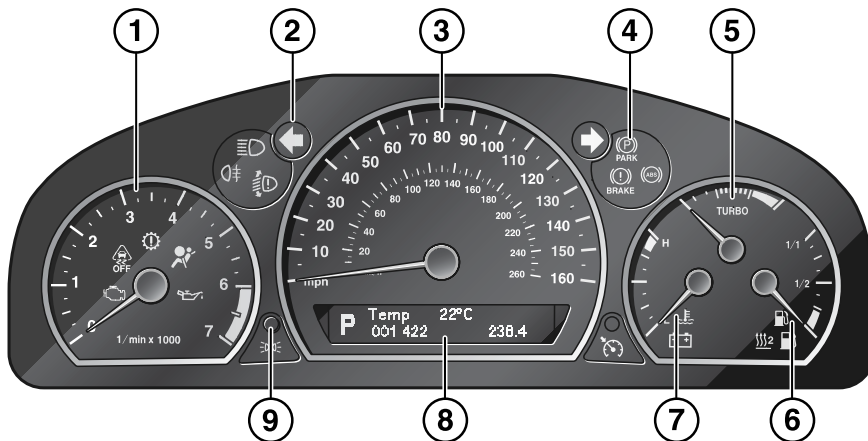


# Instruments and controls



Indicator and warning lights _____	<b>58</b>
Instruments _____	<b>64</b>
Saab Information Display (SID) _____	<b>68</b>
Switches _____	<b>73</b>
Automatic climate control (ACC) _____	<b>79</b>

\* Asterisk means: equipment not fitted in all cars (can depend on model variant, engine variant, market specification, options or accessories).



*U.S. shown, Canada similar*

#### Main instrument panel

- 1 Tachometer
- 2 Indicator and warning lights
- 3 Speedometer
- 4 Indicator and warning lights
- 5 Pressure gauge

- 6 Fuel gauge
- 7 Engine temperature gauge
- 8 Trip meter reset button
- 9 Odometer and trip meter

## Indicator and warning lights

A number of indicator and warning lights will come on when the ignition is switched on prior to starting. Under normal conditions, these should go out a few seconds after the engine has started (see page 64).



**Engine malfunction  
(CHECK ENGINE)**



**WARNING**

An illuminated "Engine malfunction (CHECK ENGINE)" indicator light indicates an engine-related problem. While your car may be able to be driven with the "Engine malfunction (CHECK ENGINE)" indicator light illuminated (Limp-home mode), you are advised to have your car serviced at an authorized Saab dealer as soon as possible.

Continued driving without this problem being corrected might cause serious further damage to your car and create unsafe driving conditions. The driver should be prepared to take action if such unsafe conditions arise (e.g. brake smoothly, engage neutral, stop in a suitable place, switch off the engine, etc.).

IB4117

This light indicates a malfunction in the fuel-injection or ignition system. The car may still be driven with care and with somewhat diminished performance (see page 146).

### NOTICE

The car should be checked immediately at a workshop to prevent more serious faults from arising. We recommend that you contact an authorized Saab dealer.



### Warning, oil pressure (engine oil)

This light will come on if the engine oil pressure is dangerously low. If the light flashes or comes on while you are driving, stop the car, switch off the engine and check the engine oil level (see page 196).

### NOTICE

Under no circumstances must the car be driven when this warning light is on. Low oil pressure can result in serious engine damage.



### Warning, charging

This light will come on if the battery is discharging. If it comes on while you are driving, stop the car as soon as possible and switch off the engine.

Check the alternator drive belt (see page 204). If the belt has broken:

- the engine may overheat (cooling system will not function properly)
- the battery will not be charged
- the A/C compressor will not run and
- power assistance for the steering will be lost.



**BRAKE**

### Brake warning light

This light will come on if there is insufficient brake fluid in the reservoir (see pages 199). If the ABS warning light is on at the same time, the ABS system may be inoperative because of a fault (see "Anti-lock brake warning", page 60).



### WARNING

- Never drive the car when this warning lights is on. Danger of brake failure!
- If the level of brake fluid in the reservoir is below the MIN mark, the car should be towed to a workshop. We recommend that you contact an authorized Saab workshop.
- Have the brake system checked at once by a workshop. We recommend that you contact an authorized Saab dealer.



### Parking brake warning light

This light will show when the parking brake is on (see page 167).

The parking brake is mechanical and operates on the rear wheels.





### WARNING

- **Always** apply the parking brake when parking, see page 167.
- **Always** apply the parking brake before removing the ignition key.
- Do **not** apply the parking brake while the car is moving.



### Anti-lock brake warning

This light will come on if a fault has occurred in the ABS system.

On certain variants  and  can light up to indicate a fault in the electronic brake force distribution system (distribution of the brake pressure between the front and rear wheels).

Conventional braking without the ABS function will still be available.

For safety reasons, stop the car and check the level of the brake fluid (see page 199).

If the level is normal, depress the brake pedal firmly two or three times. Now check the level again. If the level is still normal, you may drive the car, with considerable caution, to the nearest authorized Saab dealer to have the brake system checked.



### WARNING

- If the ABS is inoperative, there is a danger of the rear wheels locking up on hard braking.
- If the level of brake fluid in the reservoir is below the MIN mark, the car should be towed to an authorized Saab dealer.



### Headlight and parking light indicator

This light indicates that the headlights or the parking lights are on.



### Airbag warning light

This light will come on if a potentially serious fault has occurred in the airbag system.



#### WARNING

- If the airbag readiness light stays on after you start your vehicle, it means the airbag system may not be working properly.
- To help avoid injury to yourself or others, have your vehicle serviced right away if the airbag readiness light stays on after you start your vehicle.

The light will come on for about three seconds when the ignition switch is turned to the Start or Drive position. It should go out after the engine has started.



### Indicator, fuel

This light comes on when there is less than about 2.5 gallons (10 liters) of fuel left in the tank.

#### NOTICE

If the car runs out of fuel, air can be drawn in with the fuel, which, in turn, can cause the catalytic converter to be damaged by overheating.



### Xenon headlight fault indicator \*

This light indicates that there is a fault in the Xenon headlight system, which consists of xenon headlights and an automatic levelling system.

If a fault arises in the Xenon headlight system, the headlights will be angled down to avoid impairing the vision of drivers in oncoming traffic. Adjust your speed accordingly as visibility will be reduced.

#### NOTICE

If the Xenon headlight fault indicator lights up, have your car checked as soon as possible a workshop. We recommend that you contact an authorized Saab dealer.

If you do not rectify the problem, nighttime visibility will be poor since the range of the headlights is reduced.



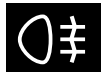
### Indicator, cruise control

This light shows when the cruise-control system is active (see page 161).



### Indicator, high beam

This light shows when the headlights are on high beam (see page 73).



### Indicator, rear fog light

This light shows when the rear fog light is on (see page 74).

The rear fog light is switched off automatically when the engine is switched off. When the fog light is next needed, it will have to be switched on manually again.

The rear fog light consists of one light so it should not be mistaken for brake lights.



### Indicator, open door

If a door has not been closed properly, the pictogram will indicate the door concerned (or tailgate).



### Indicator, SPORT-mode automatic transmission \*

This light will come on in cars with automatic transmission when the S (SPORT) button on the selector lever has been pressed (position N or D) see page 160.

In this mode, the gear changes occur later, at higher engine revs, giving the engine and transmission a sportier feel.

To cancel the SPORT mode, press the S button on the selector lever again. The mode is also deselected automatically when the selector lever is moved to P, R, M or L, or when the ignition is switched off.



### Automatic transmission \*, fault indicator

On a car with an automatic transmission, this warning symbol is illuminated if a fault has been detected in the transmission.

Switch the ignition off and on again to check if the fault persists.

Even if the fault persists, it is still possible in most cases to drive the car (see page 156).

Have the automatic transmission checked by an authorized Saab dealer as soon as possible.

### NOTICE

If the control module has actuated the Limp-home function for the automatic transmission, the car will remain in 5th gear when D is selected, making it very sluggish. To overcome this, select position L to prevent unnecessary wear on the transmission. The transmission then starts in 2nd gear. When the car is moving you can select position D.

When the indicator light is on, the car must not be driven with a trailer attached.



### Indicator ESP

The ESP indicator light is located in the tachometer and will be illuminated when ESP regulation is occurring, i.e. when there is insufficient traction between the tires and the road surface to provide the grip required for the acceleration called for. The driver can also sense that the engine is not responding normally to the accelerator.

Operation of the ESP indicates reduced traction between the tires and the road, and that extra care should be taken by the driver.

In normal driving, the ESP will help to improve both ride comfort and safety, but must not be regarded as a system to enable the driver to drive at or maintain a higher rate of speed. The same precautions for safe cornering and driving on slippery roads must still be applied (see page 165).



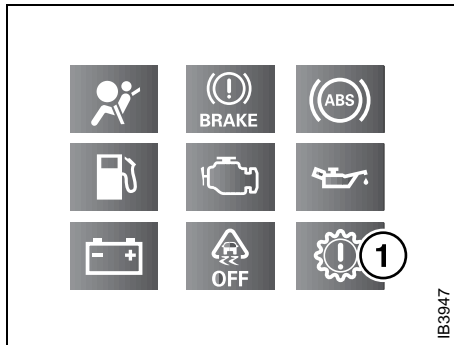
### Indicator ESP OFF

The indicator light goes on when the Electronic Stability Program is switched off with the ESP-button.

**IMPORTANT:** the system is automatically engaged every time the engine is started (see page 165).

The indicator light also goes on when there is a fault in the system. In this case the light cannot be turned off by means of the ESP button. If a fault is indicated, have the system checked by an authorized Saab dealer.

See also "Electronic Stability Program (ESP) on page 165.





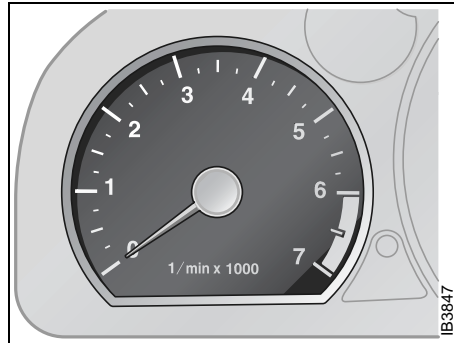
1 Cars with automatic transmission

## Autochecking of lights, main instrument panel

The above warning and indicator lights should come on when the ignition is switched on prior to starting. They should go out after about 3 seconds.

The following lights light up until the engine is started, presuming that no fault exists:

- Oil pressure warning light .
- Warning, charging .

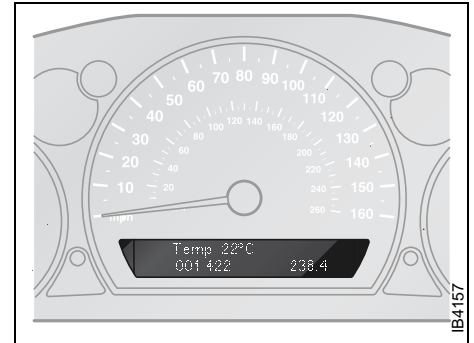


## Instruments

### Tachometer

The tachometer indicates the engine speed in thousands of revolutions per minute. The needle may be allowed to enter the broken red zone on the dial only for an instant.

A safety cut-out function (in the fuel system) prevents the engine speed from exceeding approximately 6,000 rpm.



### Odometer and trip meter

The odometer records the distance traveled in miles on U.S. vehicles and on Canadian vehicles the distance indicated is in kilometres, and the trip meter in miles and tenths (kilometres and tenths of kilometres on Canadian vehicles).

### Reset button

The reset button has two functions, determined by whether the ignition is ON or OFF.

- When the ignition is ON, pressing the button will reset the trip meter.
- When the ignition is OFF, the display lights up enabling you to read the odometer and trip meter. Pressing the button a second time will reset the trip meter.





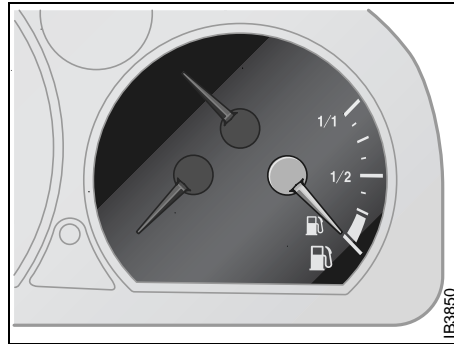
### Speedometer

#### (U.S. speedometer shown)

The speedometer receives signals from the wheel sensors in the ABS system.

Cars sold in U.S.: The speedometer displays the speed of the car in miles per hour (mph).

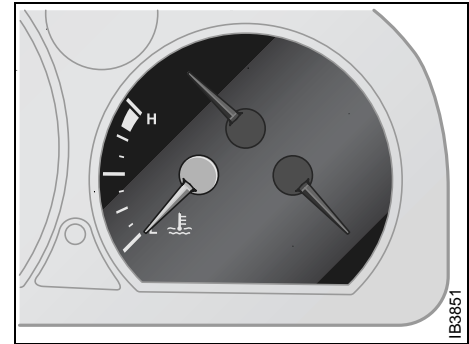
Cars sold in Canada: The speedometer displays the speed of the car in kilometres per hour (km/h).



### Fuel gauge

Fuel-tank capacity, 18.5 US gal. (70 liters). The fuel gauge shows the amount of fuel left in the tank. When this is down to about 2.5 gal. (10 liters), a warning light on the main instrument panel will come on (see page 61).

Use the Saab Information display (SID) to check the approximate distance that can be traveled on the remaining fuel (see page 68).



### Temperature gauge

The temperature gauge shows the temperature of the coolant. The needle should be in the middle of the scale when the engine is at normal operating temperature.

If the needle approaches the red zone, which can occur in very hot weather or when the engine is under a heavy load, drive in the highest gear possible, keep the engine revs low and avoid shifting down.

**NOTICE**

If the needle, despite the above action, enters the red zone, stop the car immediately, let the engine idle.

If the needle stays in the red zone, stop the engine.

Check fuse 1 (radiator fan) in the fuse panel under the hood, see page 223.

If the needle repeatedly enters the red zone, stop the car as soon as it is safe to do so and check the coolant level by looking at the level visible through the plastic tank – do not remove the cap.

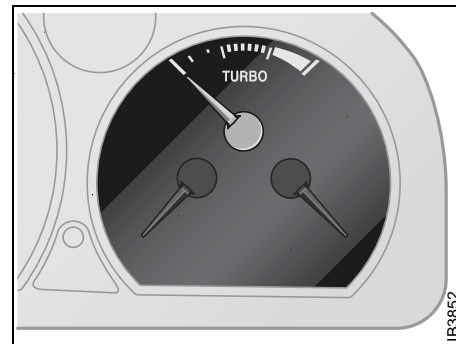
If the coolant level falls below the MIN mark, the Saab Information Display (SID) will display the message

"Coolant level low.

Refill."

**WARNING**

**Never** open the cap of the expansion tank completely when the engine is hot, open with care. The pressure in the cooling-system can cause hot coolant and steam to be released. Failure to heed this warning may result in personal injury.



IB3852

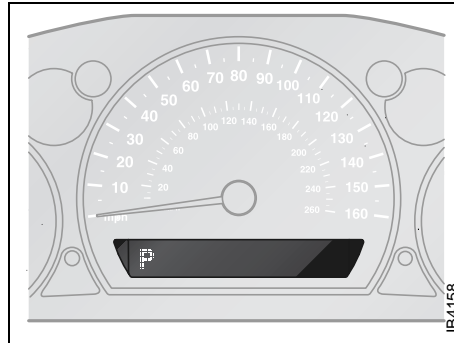
**Pressure gauge**

The turbo gauge indicates the air volume for combustion, which is equivalent to the engine load.

Under certain barometric conditions, the needle may enter the first part of the red zone without necessarily indicating that a fault has arisen.

If the needle repeatedly enters the red zone and the engine at the same time loses power because the monitoring system is limiting boost pressure, you should contact a workshop immediately. We recommend that you contact an authorised Saab workshop.

When the speed of the car exceeds 150 mph (240 km/h) acceleration is limited by a reduction in boost pressure. The turbo gauge will move to the middle field, indicating a drop in engine output and consequently a reduction in vehicle speed.



### Selector lever indication \*

The display below the speedometer indicates the position of the selector lever. If manual mode is selected, the current gear is displayed. When the sport function is selected, SPORT is displayed.

## Saab Information Display (SID)

### WARNING

It is strongly recommended that the SID settings be changed only when the car is stationary. The driver's attention can otherwise easily be distracted from the road.

The Saab Information Display (SID) shows CHECK messages and incorporates eight trip-computer functions.

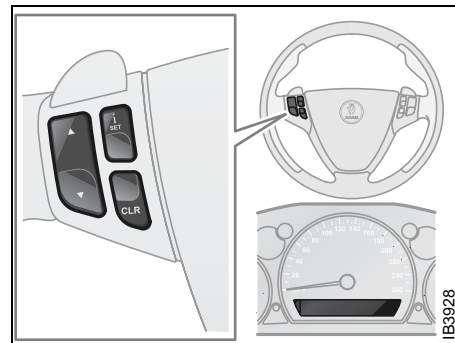
Use the i/SET button to browse the functions.

SID provides the following function:

<b>Temp.</b>	Outside temperature
<b>D.T.E.</b>	Estimated range (distance to empty fuel tank)
<b>Fuel Ø</b>	Average fuel consumption since function last reset
<b>Dist.</b>	Distance to destination/Trip meter
<b>Speed Ø</b>	Average speed since function last reset
<b>Alarm</b>	Alarm function
<b>Speed W.</b>	Speed warning

### Outdoor temperature (Frost warning)

Regardless of which function has been selected, except Night Panel Mode, SID will automatically display the outdoor temperature when it is between 26° and 38°F (-3° and +3°C). This also applies if the temperature has moved outside the range of 21° to 43°F (-6° to +6°C) but is again between 26° and 38°F (-3° and +3°C).





*SID, buttons and display*

### WARNING

Remember that roads can be icy even at temperatures of above 38°F (+3°C), especially on bridges and stretches of road that are sheltered from the sun.

## Entering values for the functions

### Dist.

- 1 Select **Dist.** using the i/SET button.
- 2 Hold i/SET depressed until a chime sounds and the selected function is marked.
- 3 Set the distance using  or .
- 4 End with a brief press on the i/SET button.  
The calculated arrival time will then appear next to the distance.



SID calculates arrival time using the set distance and average vehicle speed.

The values are updated during the trip. If you take a break, this time is added to the previously calculated arrival time.

After the distance to destination has decreased to zero, **Dist.** will function as a trip meter (see "Using Dist. as a trip meter"). The starting value for the trip meter will be the last distance set for the **Dist. function.**

Example: 100 km is set for the **Dist.** function. Once the countdown has reached 0 km, the **Dist.** function will act as a trip meter, beginning at 100 km.



### Alarm

- 1 Select **Alarm** with the i/SET button.
- 2 Hold i/SET depressed until a chime sounds. Briefly press the i/SET button if you do not wish to change the alarm time.  
If you wish to change the alarm time, press  or .  
End with a brief press on the i/SET button.

ON appears to the right of the alarm time to indicate that the alarm will go off at the set time.

When the alarm sounds, it can be deactivated with CLR.

### Activating speed warning

- 1 Select **Speed W.** with the i/SET button.
- 2 Hold i/SET depressed until a chime sounds. Briefly press the i/SET button if you do not wish to change speed.  
If you wish to change speed, press  or .  
End with a brief press on the i/SET button.

ON appears to the right of the speed if a warning will sound when vehicle speed exceeds the set speed.

### Disengaging speed warning

- 1 Select **Speed W.** with the i/SET button.
- 2 Briefly press the CLR button.

**Using Dist. as a trip meter**

If no value is programmed in **Dist.**, it functions as a trip meter. This is indicated by an arrow to the right in the display.

Reset the trip meter by briefly pressing the CLR button.

For the first kilometre, the distance will be shown in increments of 10 metres; thereafter, the reading will change in increments of 100 metres.

**Calculating the arrival time if a specified average speed is maintained:**

- 1 Select **Dist.**
- 2 Set the distance.
- 3 Select **Speed Ø.**
- 4 Set the average speed you intend to drive at.
- 5 SID switches to **Dist.** automatically. The calculated arrival time is now displayed to the right.

The **Speed Ø** function will show actual values once you start driving.

**Average fuel consumption, Fuel Ø**

The average fuel consumption is calculated using the values for fuel consumed and distance driven since last reset. This value is stored in the car's trip computer even when the engine is switched off.

To reset the value, hold CLR depressed until a chime sounds. The text Cleared is displayed.

**Resetting values**

To reset the value, hold CLR depressed until a chime sounds. The text Cleared is displayed.

The following functions will be reset simultaneously:

- **D.T.E.** (the value is reset to the distance that can be reached with the amount of remaining fuel if fuel consumption is 1.0 l/10 km; lower fuel consumption increases this distance)
- **Fuel Ø** (the value is reset to 1.0 l/10 km)
- **Speed Ø** (average speed)

Values programmed in **Dist.**, **Alarm** and **Speed W.** are not reset. See respective function

## CHECK messages

When the engine is started, CHECKING will appear on the display for about 4 seconds while the SID CHECK functions are being performed.

When a CHECK message is activated while driving, a chime sounds and the message appears in SID. The number of possible CHECK messages varies depending on the car's specifications.

If more than one CHECK message has been generated, the + symbol will appear to the left of the text on the display. The messages appear in order of priority.

If a new fault occurs whilst another message is being displayed, the message relating to the new one will appear for 10 seconds, after which the display will return to the earlier one.

Briefly press the CLR button to acknowledge a message from the display. After acknowledgement, the message is displayed each time the ignition is re-started until remedied.

The following messages may be displayed:

Message	See page
Use your seatbelts.	12
Front light failure.	207
Rear light failure.	211
Fog light failure.	208
Brake light failure.	211
Washer fluid level low. Refill.	206
Coolant level low. Refill.	198
Remote control battery low. Replace battery.	49
Key not accepted. Contact service.	54

Theft protection failure. Contact service.	54
Gearbox too hot. Make a safe stop.	156
Tighten fuel filler cap.	149
Time for service. <sup>1)</sup>	254

1) This message will be displayed approximately 600 miles (1,000 km) before the next scheduled service is due, or when 365 days have elapsed since the last service. The message should be cleared at the time of that service (see the Saab Warranties & Service Record Booklet). This message can also be deleted by first briefly pressing the CLR button, then depressing it a second time for at least eight seconds until "SERVICE" appears on the display and a chime sounds. The message can only be deleted when it is shown on the SID.

\*) 9-5 SportCombi: the high-mounted stop light is not included in the autocheck of lights.

## NIGHT PANEL

To improve night-driving conditions inside the car, the Night Panel mode can be selected. In this mode, the amount of information displayed is reduced, and only the most important instruments and displays will be illuminated.

When the NIGHT PANEL button is pressed, only the speedometer will be illuminated, all the other instruments illumination being extinguished and their needles moved to zero. The SID display will be extinguished and the backlighting for switches and other controls will be dimmed. Note: All indicator and warning lights, together with the display of CHECK messages, will operate as normal, except "Outdoor temperature", see page 68.

The following conditions will wake up the respective displays in the Night-Panel mode:

- Setting of the Audio system or, SID (display comes on for ten seconds).
- CHECK message generated in the SID.
- High engine revs cause the rev counter to be illuminated until the engine speed has fallen again.
- If the quantity of fuel remaining falls below 4 gallons (15 liters), the fuel gauge will be illuminated.
- If the engine temperature rises above normal, the temperature gauge will be illuminated.
- In cars with automatic transmission, if the selector lever is moved from D to position M or L, the selector indication on the main instrument panel will be illuminated.

To restore the displays and lighting to the normal mode, press the NIGHT PANEL button.





## Units and language versions

The SID has four sets of units:

METRIC	US	GB	IMPERIAL
km	miles	miles	miles
km/h	mph	mph	mph
liters	US gal	gallon	gallon
°C	°F	°C	°F
24-hour	12-hour	12-hour	12-hour

CHECK messages can be displayed in six language options: English, Swedish, German, French, Italian and Spanish.

## Selecting units and language

- 1 Switch off the engine.
- 2 Briefly press *i*/SET button. Repeat this until LANGUAGE/UNITS is displayed.
- 3 Hold *i*/SET depressed until a chime sounds. Then select language using  or .
- 4 Briefly press the *i*/SET button. Then select the units using  or .
- 5 Briefly press the *i*/SET button.



## Switches

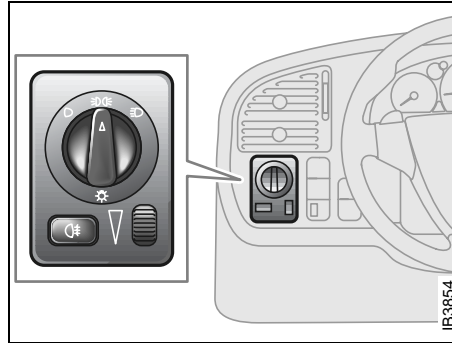


### Daytime running lights

The parking lights and daytime running lights come on automatically when the ignition switch is ON.

**Note to owners in the U.S.:** If you do not want Daytime Running Lights, this feature can be disconnected: switch off the engine and remove fuse No. 35 (see page 221).

**Note to owners in Canada:** Daytime Running Lights must not be disconnected as they are a Canadian Federal legal requirement.



Light switches



### Parking lights

The parking lights can be switched on regardless of the position of the ignition switch. Do not use parking lights when driving.

If the parking lights are on and the driver's door is opened, a reminder to turn them off will sound.

Note: The lighting switch must be in parking light or headlight position (low beam position only) to operate the fog lights (see page 76).

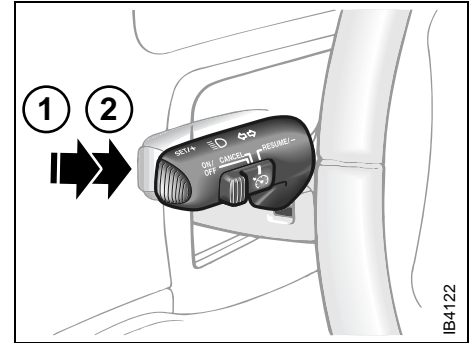


### Headlights

The headlights come on automatically when the ignition is ON and go off when the ignition switch is turned to the LOCK position. The parking lights, however, can be on when the ignition switch is in the LOCK position.

### High/low beam

To switch between high and low beam, pull the control stalk fully towards you (position 2). When the high beam is on, the indicator on the main instrument panel will be illuminated.



- 1 High beam signal
- 2 High/low beam switching

### High beam flasher

The headlights come on to high beam when the stalk is pulled to the first spring-loaded position (position 1) and remain on until the stalk is released.

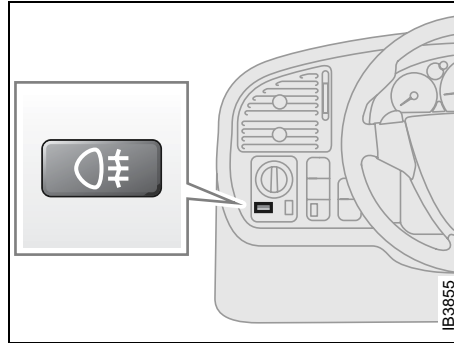
## Courtesy Headlight Feature

A delay function allows the headlights to remain on low beam for about 30 seconds after the driver's door has been closed.

To activate this function,

- Switch off the ignition and remove the key
- Open the driver's door
- Pull the high/low beam control stalk towards the steering wheel like you are flashing the high beam, see page 73. The low beam headlights will now come on immediately after the driver's door has been closed (within 30 seconds) and will remain on for about 30 seconds.

The length of time for this function can be adjusted by your authorized Saab dealer.



*Rear fog light*

## Rear fog light

Press the button to switch on the rear fog light, which will only come on if the headlights are on.

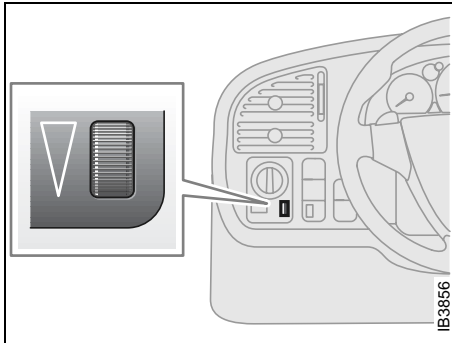
The rear fog light will go off automatically when the engine is switched off. When the fog light is next needed, it will have to be switched on manually again.

The rear fog light consists of one light so it is not be mistaken for brake lights.

**Make sure you are familiar with the applicable provincial/state law regarding the use of rear fog lights.**

## WARNING

In poor visibility, avoid following the tail lights of the vehicle in front of you. If the vehicle stops suddenly, you may be unable to avoid a crash and therefore risk injury to yourself and others.



*Instrument illumination*

## Instrument illumination

The brightness of the instrument illumination can be varied by means of the dimmer switch adjacent to the headlight switch. (See also Night panel on page 72).

In daylight or other equally bright light, the instrument and switch illumination is automatically extinguished.

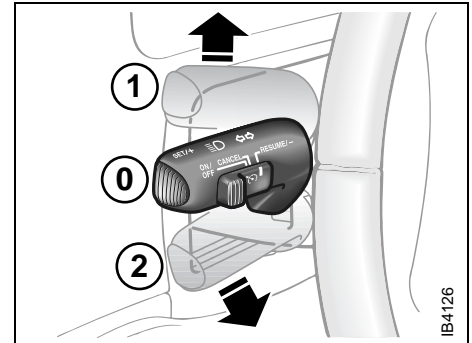
## Turn signal and lane change indicators

To switch on the turn signals/lane change indicators, move the stalk up or down.

The stalk has fixed positions for indicating a right or left turn, and the indicators are cancelled automatically (stalk returns to off position).

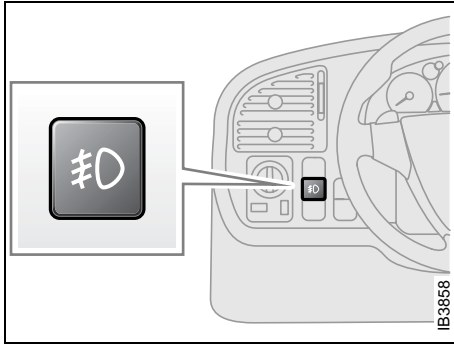
The stalk also has an intermediate, spring-loaded position that is useful for signalling when changing lanes or passing.

The respective indicator lights on the instrument panel flash at the same frequency as the direction indicators.



*Turn signal and lane change indicators*

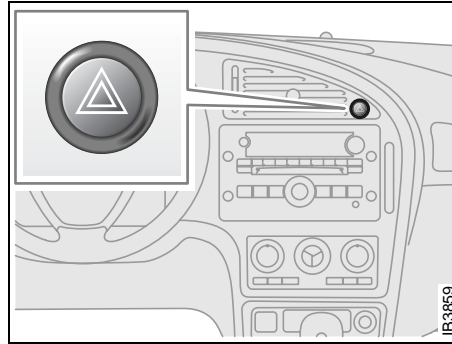
- 1 Right indicators
- 2 Left indicators



## Front fog lights \*

The front fog lights can be activated in both low beam headlight and parking light positions. Fog lights should only be used in poor visibility conditions.

**Make sure you are familiar with the applicable provincial/state law regarding the use of fog lights.**



*Hazard warning lights*

## Hazard warning lights

When this button is pressed, all the turn signal indicators and a symbol in the button flash simultaneously. If the ignition is on, both indicator lights on the instrument panel will also flash.

If the hazard warning lights are left on for some time, the flasher frequency will be reduced to save the battery.

Hazard warning lights should only be used if the car constitutes a hazard to other road users.

## WARNING

Switch on the hazard flashers if the car has to be left at the roadside on account of a crash, engine trouble or a puncture.

If you carry a warning triangle or flares, they should be set up along the side of the road 300 ft. (100 m) behind your vehicle. If the car is not clearly visible (e.g. over the brow of a hill or bridge), place the triangle/flare even further back.

## Reversing lights

The reversing lights come on automatically when reverse gear is engaged or selected with the ignition switched on.

## Wipers and washers

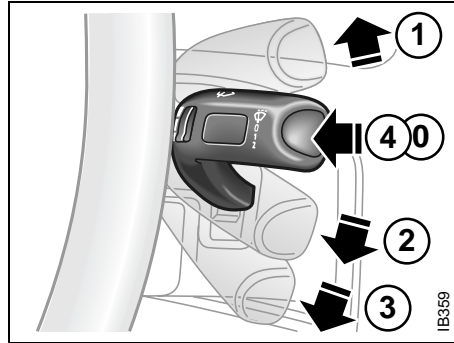
There are three intermittent wiper positions. Moving the control stalk to the spring-loaded position between 0 and 2 will produce a single sweep of the wipers.

The wipers are designed for optimal cleaning at all driving speeds. At higher speeds, it may be possible to detect a slight "sweeping" sound. This may be due to the increased air pressure on the blades at higher speeds.

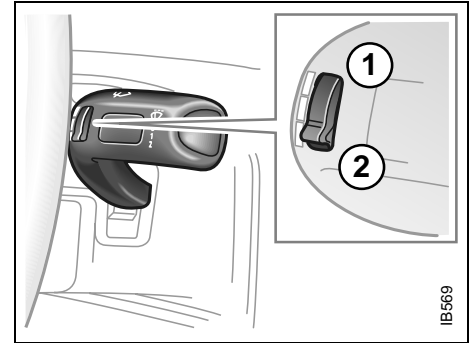
### Headlight washers \*

If low beam is on, the headlights are washed every fifth time the windshield washers are used or if 2 minutes have elapsed since the windshield was last washed. The headlight washers cannot be activated separately.

The headlight washers are of the high-pressure type, which means that other parts of the car may become wet if you activate the washers while the car is stationary.



- 0 OFF
- 1 Intermittent operation
- 2 Low speed
- 3 High speed
- 4 Washers



Control for setting wiper delay

- 1 Long delay
- 2 Short delay

### Rain sensing wipers \*



Turn the rain sensor off if the ignition is ON when clearing snow and ice from the windshield, to avoid personal injury.

### NOTICE

To avoid damaging the windshield wipers, turn the rain sensor off before washing the car in an automatic carwash.

The rain sensor automatically controls the windshield wipers. The sensor is located on the windshield beside the rearview mirror. The system varies between single sweeps of the windshield and continuous wiping depending on how much water or snow there is on the windshield.

Activate the system by lifting the control stalk to position 1. The wipers make one sweep for reference to see how much water and snow is on the windshield. In future, the sensor compares the amount of water and snow on the windshield with this reference value.


**When the engine has been switched off, the control stalk must be moved to position 0 and back to position 1 to reactivate the sensor.**

Set the sensitivity using the control on the wiper stalk (the same control as used for wiper delay on cars not fitted with a rain sensor). The sensor has three sensitivity settings. It is most sensitive when in the uppermost position (1). When a higher degree of sensitivity is selected, the wipers make one sweep of the windshield for reference.


The rain sensor has a daylight and a night time mode. The sensor measures the amount of available light and automatically selects the appropriate mode. The sensor is more sensitive at night. The function of the rain sensor is impaired by dry snow.

## Rear-window wiper \*

The rear-window wiper and washer are operated with the same stalk switch as used for washing and wiping the windshield and headlights.

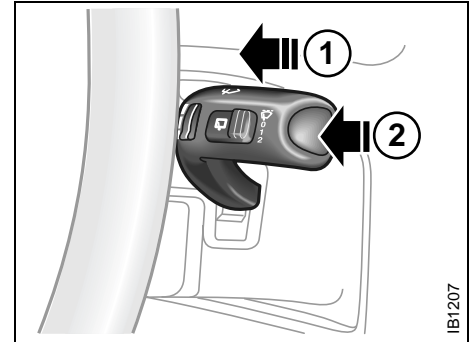
This stalk has two additional switches, ON/OFF and .

The ON position provides intermittent wiping.

The  position provides washing and wiping. After a few sweeps the wiper stops or reverts to intermittent wiping, if this has been chosen. About 15 seconds after completion of the washing/wiping of the rear window, the wiper makes a single sweep to wipe away any remaining washer fluid.

A spring-loaded position between the OFF and ON positions allows for a single sweep of the rear-window wiper.

Intermittent wiping of the rear window occurs when reverse gear is engaged if the windshield wipers are in position 1, 2 or 3, see page 77.




*Rear-window wiper*

- 1 Intermittent wiping
- 2 Washers

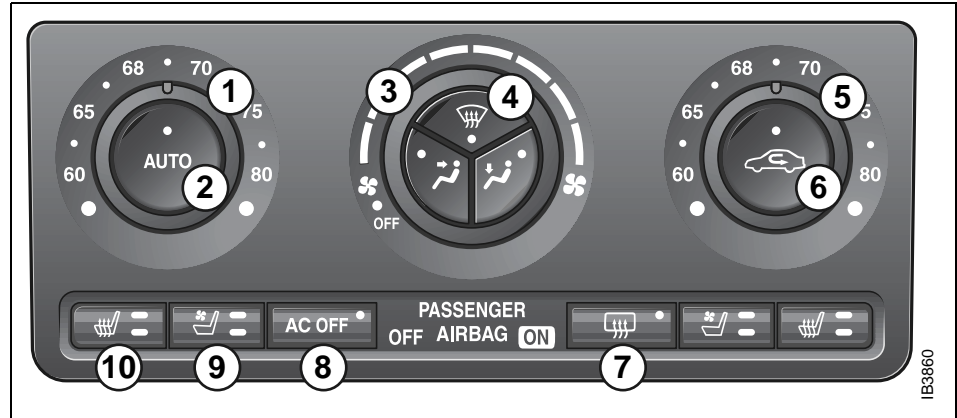
## Automatic climate control (ACC)

The ACC system automatically works to maintain the desired temperature inside the car.

The system will achieve the desired temperature in the quickest possible way. Note that selecting a higher or lower temperature than that desired will not speed up the process.



For the ACC system to be most effective, all windows (and moonroof ) should be closed.

Fresh air for the cabin is drawn in through an inlet grille adjacent to the bottom edge of the windshield. The air flows through a filter upstream of the ACC system before delivery to the cabin. Cabin air is evacuated via openings in the rear parcel shelf and then through outlets on either side of the car behind the rear bumper.



### ACC panel

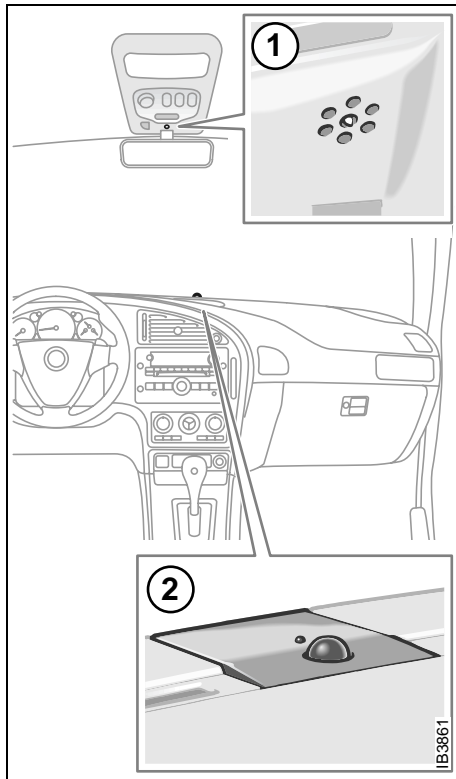
- 1 Temperature setting: LH side
- 2 AUTO: All settings selected automatically
- 3 Manual setting of fan speed
- 4 Manual setting of air distribution
- 5 Temperature setting: RH side

- 6 Recirculation: ON/OFF
- 7 Rear-window heating: ON/OFF
- 8 A/C compressor: ON/OFF
- 9 Ventilated front seats 
- 10 Heated front seats 

The incoming air is treated in three stages: first it passes through a filter; it is then dehumidified and cooled and, finally, if required, heated.

The filter is a combined particle and charcoal filter. It is so efficient that levels of noxious substances such as benzene and toluene are also reduced.

To reduce the likelihood of misting on the insides of the windows, the glass should be cleaned with a quality window cleaner. How often this will need to be done depends on how clean the air is – if there are smokers in the car, cleaning will need to be done more frequently.

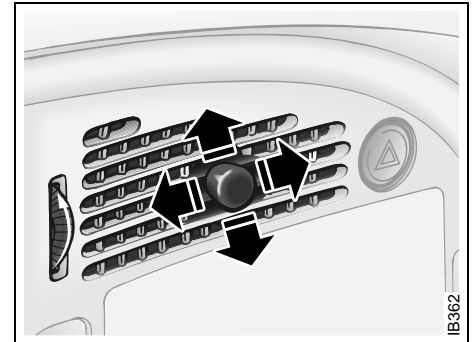


- 1 Interior-temperature sensor  
2 Sun sensor

The system has five sensors:

- Outdoor temperature sensor
- Interior temperature sensor
- Sun sensor (mounted on top of the fascia)
- Two blended-air temperature sensors (mounted inside the front floor vents)

**Note:** If anything is placed over the sun sensor, the ACC system will not function properly.



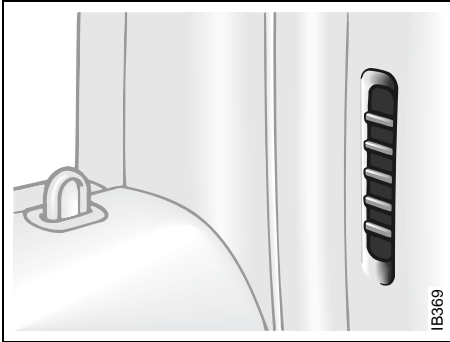
*Panel vent*

## Panel vents

The panel vents swivel in all directions so that air can be directed as desired. In winter, for instance, the outer vents can be directed onto the door windows for enhanced demisting.

The flow of air through the panel vents can be controlled individually for each vent by means of the adjacent control. The climate control system works best if the panel vents are open. If you find the air cold or that it is drafty, start by directing the air away from the body. If the center vent is aimed up, it will cool the interior temperature sensor and you may need to adjust ACC up or down, depending upon temperature desired.





*Air vent at rear side window*

## Temperature control

The cabin is divided into two temperature zones:

- The driver's zone
- The passenger zone (front and rear seats)

The desired temperature can be set between 60 and 80°F.

The displayed temperature is not the absolute temperature but corresponds to the comfort level normally experienced at that temperature after allowance has been made for the air flow, relative humidity, solar radiation, etc., currently prevailing inside the car.

- The most usual temperature setting is 64–76°F, depending on personal preference and what clothing is worn.
- To allow the system time to adjust, changes in the temperature setting shall only be made in steps of 2°F.

Once the desired climate has been achieved, the rear center vents can be closed to prevent warm air being distributed at face height.

When the ignition is switched off, only the temperature control affects the system the next time the engine is started. The system will warm up/cool down to the temperature to which the control is set.

## MAX heat, red indication

The HI setting is obtained by turning the temperature control to the first position past 80 (to the red LED). The driver's side selection regulates air distribution and recirculation status. Temperature, however, can be adjusted on the passenger side.

Settings when HI is selected:

- Maximum heat
- Air distribution to windshield and floor
- Recirculation OFF (even if manually selected before)
- Fan: high speed

## MAX cooling, blue indicator




The LO setting is obtained by turning the temperature control to the first position past 60 (to the blue LED). The driver's side selection regulates air distribution and recirculation status. Temperature, however, can be adjusted on the passenger side.




Settings when LO is selected:

- Maximum cooling (A/C compressor will run even if AC OFF manually selected before)
- Air distribution through panel vents
- Fan: maximum speed
- Recirculation ON

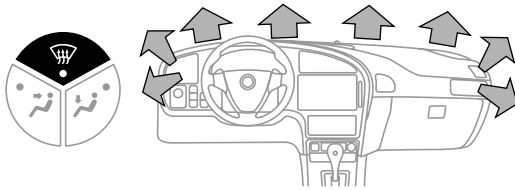
## Functions

Pressing AUTO will cancel all manual settings. If a manual function is selected, it will be locked in but other functions will be controlled automatically. The selected temperature is always maintained automatically.

	<p>Temperature, air distribution, fan speed and recirculation will be controlled automatically. Pressing AUTO once will cancel all previous manual selections. The ACC system is in AUTO mode when the engine is started.</p>
	<p>A/C compressor OFF. No cooling of inlet air. Temperature, air distribution and fan speed still under automatic control.</p>
	<p>Turn the fan control anticlockwise until "OFF" lights up. ACC system OFF. Fan OFF. A/C compressor OFF. Air distribution selections locked in current settings. Recirculation can be selected manually. Heating ❁ and ventilation ❁ of the front seats is deactivated. Pressing the AUTO button will put the system into automatic mode. Reactivation by turning the fan control clockwise one click causes the system to resume any manual selections.</p>

	<p>The rear window and door mirror heating is controlled manually. Deactivate the heating as soon as the rear window is clear of ice and misting to avoid imposing a heavy load on the battery longer than necessary. Note, however, that heating will deactivate automatically after a set time, depending on the outside temperature. The ACC system can be programmed to activate heating automatically when outside temperature is below +5 °C and the temperature inside the car is below +10 °C. See page 85.</p>
	<p>Turn the fan control to increase fan speed. If fan speed 0 is selected, the A/C compressor will be disengaged and the indicator on the AC OFF button will illuminate.</p>
	<p>Recirculation is controlled automatically to optimize cooling although it can also be switched on and off manually. Recirculation does not appreciably change the air quality but it can be useful to switch it on to avoid unpleasant smells from entering the cabin.</p>

## Air distribution



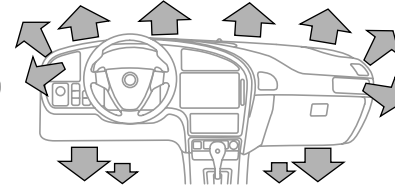
IB3862

**One press:** When the defroster is chosen manually, all the windows (except the rear side windows, where the air flow is off) are demisted by:

- Fan: high speed.
- The air is directed to the defroster vents.
- Temperature increases somewhat.
- Recirculation OFF.
- Activation of rear window/door mirror heating.
- 

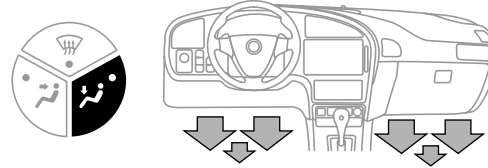
The defroster function remains active until another selection is made. Note, however, that rear window/door mirror heating will deactivate automatically after a set time, depending on the outside temperature.

**Two presses:** Air is directed to the windscreen without the fan speed being increase or the rear window heating being switched on. To revert to a previous setting, press the AUTO button.



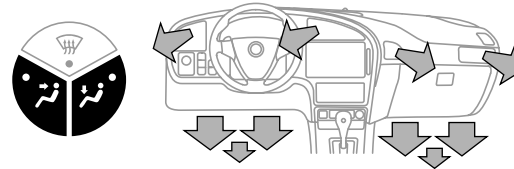
IB3863

Defroster and floor vents



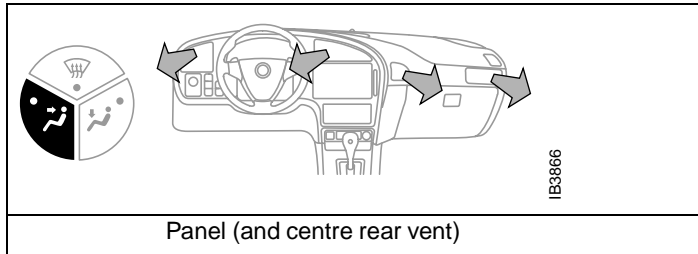
IB3864

Floor vents and rear side windows



IB3865

Floor and panel vents



### Starting in cold weather

To start with, the system will automatically select the defroster setting, maximum heat and low fan speed.

As the engine warms up, air will also be distributed through the floor vents and the fan speed will be increased.

As the temperature inside the car nears the selected value, both the fan speed and the heat will be decreased to a level determined by the system.

### Starting in hot weather



The system will automatically distribute air through the panel vents at high fan speed and will switch on the A/C compressor (unless the AC OFF switch has been pressed).

If the outdoor temperature is above 77°F (25°C), the system might select recirculation after 0-15 seconds if this is required in order to reach the desired temperature.

As the temperature inside the car nears the selected value, the fan speed will be decreased to a value determined by the system.



## Adaptation of ACC


It is also possible to customize the ACC system, e.g. to adapt to driving and weather conditions.

Function	Operation in AUTO mode after adaptation	Factory setting
	The rear window heating will come on after the engine has started if the outside temperature is below +5 °C. – <i>This function helps to prevent ice or mist forming on the rear window in cold, damp weather. Fuel consumption may increase slightly.</i>	Heating is selected manually.
	Seat heating comes on if the system determines that heating is necessary based on the temperature in the seat and the outside temperature.	There are two settings for heating. Repeatedly pressing the button switches between low output, high output and off.

**Adaptation and restoration of factory settings** is done by holding the respective button depressed approx. 2 seconds until a chime sounds.

Make sure the ignition is ON.

Function	Display text in SID during adaptation	Display text in SID when factory settings are restored
	ACC:AUTO RDEF R CTRL	ACC:MANUAL RDEF R CTRL
	ACC:AUTO SEAT HEATING	ACC:MANUAL SEAT HEATING

Example: If you want the ACC system to handle activation and deactivation of rear window/door mirror heating, hold the  button depressed approx. 2 seconds until a chime sounds.

The display shows:

ACC:AUTO  
RDEF R CTRL

When “Adaptation of ACC” is done, it will apply until factory settings are restored.

## Calibration

Calibration is carried out automatically after a certain number of starts if the ignition has been switched off for more than 2 hours.

If the battery has been disconnected or has run flat, the system will need to be recalibrated.

Calibration is started manually as follows:

- 1 Start the engine.



- 2 Press  and  at the same time.

When manual calibration starts, ACC:CALABRATION STARTED appears in SID.

Calibration takes approx. 30 seconds.

## Useful tips

(before taking the car to a workshop. We recommend that you contact an authorised Saab workshop.)

- If the battery has been disconnected or has run flat, the system will need to be recalibrated. See "Calibration" above.
- If front seat heating and/or rear window heating do not function satisfactorily, see "Adaptation of ACC" on page 85.

## Condensation water

When the A/C system is running, the intake air is dehumidified, and the resultant condensation is drained off through two outlets underneath the floor of the car, in the vicinity of the front doors.

It is therefore perfectly normal for water to be seen dripping from these outlets when the car is parked. The warmer the ambient air and the higher the humidity, the more condensation water will form.

## Formation of ice and mist in extreme weather conditions

It is only in the most extreme conditions that icing and misting of window glass are likely to be a problem, e.g. in torrential rain or severe cold coupled with high relative humidity, or when passengers are perspiring heavily or wearing wet clothes.

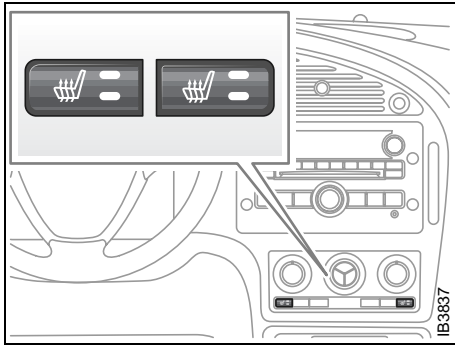
The following measures are recommended if such problems should occur:

- 1 Select AUTO and 21 °C for both temperature zones.
- 2 Select Defroster.  
If this is not enough...
- 3 Increase the fan speed.  
If this is not enough...
- 4 Select a higher temperature.

The following measures are recommended if the occupants feel that it is cold and draughty in the car:

- 1 Make sure that all the air vents are fully open, including the centre rear vent. If this is not enough...
- 2 Direct the air flow away from the body. If this is not enough...
- 3 Raise the temperature setting a degree or two. If this is not enough...
- 4 Lower the fan speed.

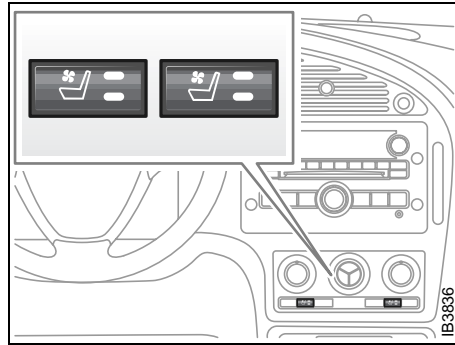
**Troubleshooting and care, see page 246.**



### Heated front seats \*

The heating of the seat cushion and backrest of both front seats is adjustable and thermostat-controlled.

The heating is adjustable in two stages, 0-1-2-0...

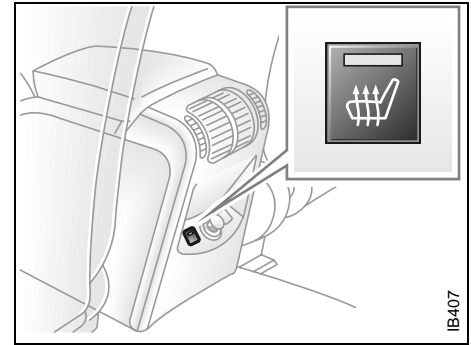


### Ventilated front seats \*

Ventilated front seats, that enhance seating comfort in hot weather, are available as an option on cars equipped with leather-upholstered and electrically adjustable seats.

Ventilated seats are equipped with two fans that extract the moist air from between the seat and the body.

The fans have two speeds, 0-1-2-0...



### Heated rear seat cushion \*

Electrically heated seat cushions for the two outer seats in the back are available as an option.

The ON/OFF control button for the cushion heating is located on the back of the centre console.

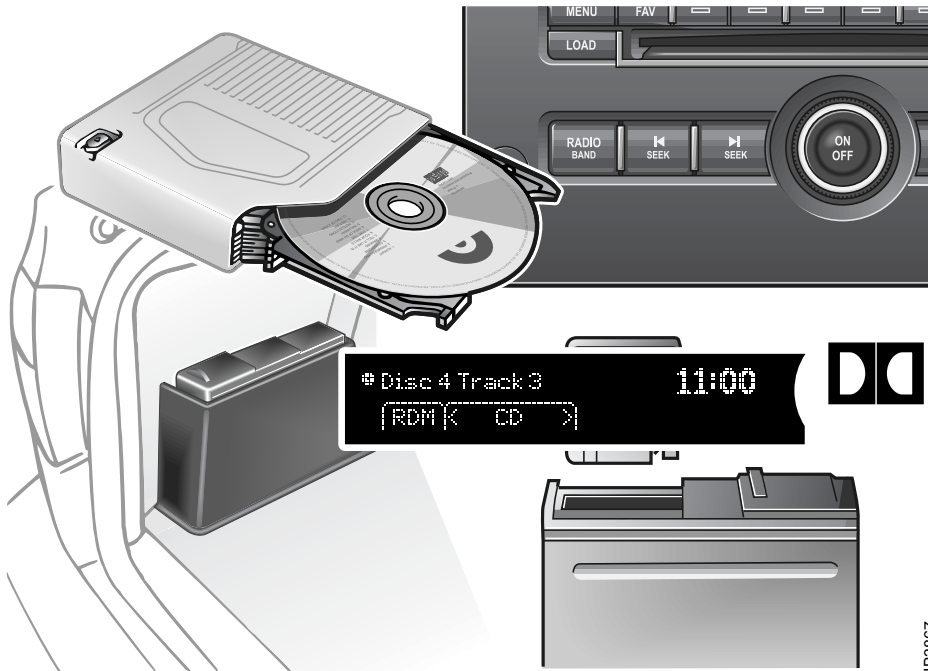
How long the cushions are heated for depends on the outside temperature. The heating can also be turned off with the button.

The button has an integral indicator that is illuminated when the heating is on.

(This page has been left blank.)



# Saab 9-5 Audio System



Radio _____	93
CD player _____	99
CD changer * _____	100
MP3 player _____	102
Portable player * _____	104
General functions _____	105
Sound system _____	107
Technical data _____	108
Antennas _____	109
Error codes _____	112
Security lock _____	112

\* Asterisk means: equipment not fitted in all cars (can depend on model variant, engine variant, market specification, options or accessories).

1B3867

## Saab 9-5 Audio System \*

To get the best out of your Saab 9-5 Audio System, we recommend that you read through this entire section.

The Saab 9-5 Audio System consists of a head unit with radio, CD player/CD changer \* for CD and MP3 discs and CD changer \* in the luggage compartment.

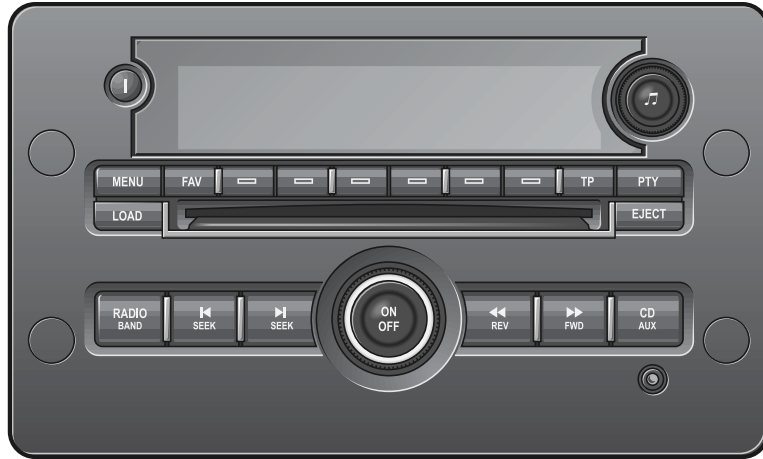
The audio system is operated using the steering wheel controls \* or the control panel buttons.

**! WARNING**

**Safety first!**

Cut off power immediately and contact your Saab dealer if the system begins to emit smoke or smells strange.

All work on the audio system must be carried out by a workshop. We recommend that you contact an authorized Saab dealer.



IB3782



Audio system activation/deactivation. Volume adjust.





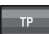




The tone control is used to adjust tone and speaker settings, change CD track or MP3 file and manual adjust radio frequency.









Information on artist, album and song title. Display of radio text.

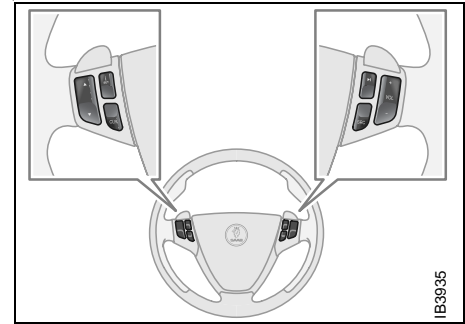


Setup menu.





	Scroll among preset pages.
	The menu option in the display is selected with the corresponding pushbutton directly underneath.
	No function on U.S./CA cars.
	Select XM™ * program type when the radio is in the XM™ * mode.
	Cars with CD changer *: insert CD or MP3 disc or discs.
	Cars without CD-changer *: set time and date.
	Eject CD or MP3 disc.

	Activate radio and change frequency band (AM,FM and XM™ *).
	Auto tuning down and change track/file going back in order of play on CD or MP3 disc.
	Auto tuning up and change track/file forward in order of play on CD or MP3 disc.
	Manual tuning and rapid play back for a track/file on a CD or MP3 disc.
	Manual tuning and rapid play forward for a track/file on a CD or MP3 disc.
	Activate CD media or portable player.

## Steering wheel controls \*



IB3935

	"arrow up"/"arrow down": change preset for radio stations, change track on CD or MP3 player.
	"Seek UP": auto tuning up, select next track on CD or MP3 disc. Activate radio station scan
	SRC: press to switch between AM, FM, XM™ *, CD, MP3, CD changer or portable player.
	VOL: adjust volume.

## Switching the audio system On/Off

### The audio system will come on:

- When the ignition is switched ON and/or the ON/OFF control is pressed.



ON/OFF control

### The audio system will be switched off:

- When the ON/OFF control is pressed.
- When the ignition key is removed.
- One hour after the ignition was switched OFF, if the ignition key has not been removed.
- 1 hour after the audio system has been switched on if the key is not in the ignition switch.

## Audio settings

### Volume

Turn the ON/OFF control until the desired volume is obtained.

### Tone controls



Tone and speaker settings

### Manual tone and speaker settings

- 1 Press the tone control to open the menu for tone and speaker settings.
- 2 Press the pushbutton under the desired tone/speaker setting.
- 3 Adjust the selected setting by turning the tone control. The selected settings can also be adjusted by pressing the SEEK, FWD or REV button.

### Centring tone and speaker settings

Hold the tone control depressed until a chime sounds to centre all tone and speaker settings.

## Automatic tone setting

You can choose to automatically adapt tone setting, **Auto EQ** (Equalizer), to the tuned station or disc being played.

- 1 Press the tone control to open the menu for tone settings.
- 2 Press the pushbutton under the menu option **Auto EQ** label.
- 3 Press the pushbutton under the desired tone setting.
- 4 The tone settings menu automatically returns to the previous menu within 5 seconds.



Auto EQ menu

## Radio

Press the RADIO BAND button to return to radio mode if another audio source is in use.

### Selecting a radio station

#### Selecting a frequency band

Press the RADIO BAND button to change frequency band. The selected frequency band appears on the display.

#### Selecting a preset station

Scroll to the desired preset page by pressing the FAV button and then pressing the pushbutton (1-6) under the desired preset station.

You can also press "arrow up" or "arrow down" on the steering wheel to select another preset station.

## Tuning a station

### Fine tuning

Turn the tone control one increment or press the REV or FWD button to fine-tune the frequency in increments of 0.2 MHz.

### Automatic tuning

Press one of the SEEK buttons or the "Seek Up" button on the steering wheel for automatic seek tuning. The radio then searches upward in the frequency band for the nearest strong station and stops at that frequency.

### Manual tuning

Turn the tone control or hold the REV or FWD button depressed to seek a frequency manually. Release the control/button to stop at the desired frequency.

### Scanning radio stations

Hold one of the SEEK buttons or the "Seek Up" button on the steering wheel depressed until a chime sounds for a 5 second sampling of each station accessible on the frequency band. **Scanning...** appears on the display.

Press one of the SEEK buttons or the "Seek Up" button on the steering wheel again to cancel the scan and select the radio station being played at that instant.

## Storing presets

You can store up to 36 radio stations as presets by using the 6 pushbuttons under the display and the FAV button. Press the FAV button to scroll through up to 6 pages with 6 presets per page. Each page can contain a combination of AM, FM and XM™ \* stations.

### Storing the current station as a preset

To store the current station as a preset:

- 1 Press the FAV button until you come to the preset page (1-6) at which the station is to be stored.
- 2 Hold the pushbutton depressed under the spot (1-36) at which the station is to be stored. A chime will sound once the station is stored.



*Preset stations*

**Number of pages with preset stations**

To display the number of pages (1-6) with preset stations:

- 1 Hold the FAV button depressed or press the MENU button and then press the pushbutton under the menu option FAV 1-6.



*Setup menu*

- 2 Select the number of preset pages to be displayed by pressing the pushbutton under the menu option with the desired number of preset pages (1-6).



*Number of preset pages*

**Radio Data System (RDS)**

The audio system has a Radio Data System (RDS). RDS features are available for use only on FM stations that broadcast RDS information. With RDS, the radio can do the following:

- Display radio station name.
- Display messages from radio stations.
- This system relies on receiving specific information from these stations and will only work when the information is available. In rare cases, a radio station may broadcast incorrect information that will cause the radio features to work improperly. If this happens, contact the radio station.

The RDS system is always on. When information is broadcast from the FM station you are listening to, the station name or call letters will be displayed on the display.



*RDS menu*

**NOTICE**

The menu options AF and REG have no function on US/CA cars.

**Rolling advertisements**

Some radio stations present rolling advertisements in the display.

- To block rolling advertisements, mark **PS-Freeze** by pressing the pushbutton directly underneath.
- To allow rolling advertisements, deselect **PS-Freeze** by pressing the pushbutton directly underneath.

Press the pushbutton under the arrow symbol or wait until the system automatically returns to the previous menu.

**Radio text**

Press the *i* button to show text messages sent by certain radio stations in the display.

If there are no text messages, **No Info** appears on the display.

## **XM™ \* Satellite Radio Service**

XM™ is a satellite radio service that is based in the 48 contiguous United States. XM™ offers over 100 coast-to-coast channels including music, news, sports, talk, and childrens programming. XM™ provides digital quality audio and text information, including song title and artist name.

A service fee is required in order to receive the XM™ service. For more information, contact XM™ at [www.xmradio.com](http://www.xmradio.com) or call 1-800-852-XXM (9696).

When XM™ is active, the channel name, and number, song title and artist will be displayed.

### **Finding a XM™ \* station**

The PTY button is used to find XM™ stations when the radio is in the XM™ mode. To find XM™ channels within a desired category, perform the following:

- 1 Press the RADIO BAND button until the XM™ frequency is displayed. Press the PTY button to display the category labels on the radio display. Continue pressing the PTY button until the desired category name is displayed.
- 2 Press either of the two pushbuttons below the desired category label to immediately tune to the first XM™ station associated with that category.
- 3 Turn the tone control, press the buttons below the right or left arrows displayed, or press the right or left SEEK buttons to go to the next or previous XM™ station within the selected category.
- 4 To exit the category search mode, press the FAV button to display your favorites again.

### **Remove an XM™ \* category**

Undesired XM™ categories can be removed through the Setup menu. To remove an undesired category, perform the following:

- 1 Press the MENU button to display the radio Setup menu.
- 2 Press the pushbutton under the menu option **XM CAT**.
- 3 Turn the tone control to display the category you wish to remove.
- 4 Press the pushbutton under the menu option **Remove** until the category name along with the word **Removed** appears on the display.
- 5 Repeat the steps to remove more categories.

**Restore removed XM™ \* categories**

Removed categories can be restored by pressing the pushbutton under the menu option **Add** when a removed category is displayed or by pressing the pushbutton under the menu option **Restore All**.

**The XM Categories**

---

Decades

---

Country

---

Hits

---

Christian

---

Rock

---

Urban

---

Jazz & Blues

---

Dance

---

Latin

---

---

World

---

Classical

---

Kids

---

News

---

Sports

---

Comedy

---

Talk & Variety

---

Premium

---



**XM™ ❁ Radio Messages**

<b>Radio Display Message</b>	<b>Condition</b>	<b>Action Required</b>
XM Updating	Updating encryption code	The encryption code in the receiver is being updated and no action is required. This process should take no longer than 30 seconds.
No XM signal	Loss of signal	The system is functioning correctly, but the vehicle is in a location that is blocking the XM™ signal. When you move into an open area, the signal should return.
Loading XM	Acquiring channel audio (after four second delay)	The audio system is acquiring and processing audio and text data. No action is needed. This message should disappear shortly.
Channel Off Air	Channel not in service	This channel is not currently in service. Tune in to another channel.
Channel Unavail	Channel no longer available	This previously assigned channel is no longer assigned. Tune to another station. If this station was one of the presets, choose another station for that preset button.
No Artist Info	Artist Name/Feature not available	No artist information is available at this time on this channel. The system is working properly.
No Title Info	Song/Program Title not available	No song title information is available at this time on this channel. The system is working properly.
No CAT Info	Category Name not available	No category information is available at this time on this channel. The system is working properly.

<b>Radio Display Message</b>	<b>Condition</b>	<b>Action Required</b>
Not Found	No channel available for the chosen category	There are no channels available for the selected category. The system is working properly.
No Information	No Text/Informational message available	No text or informational messages are available at this time on this channel. The system is working properly.
XM Theftlocked	Theft lock active	The XM <sup>TM</sup> receiver in the vehicle may have previously been in another vehicle. For security purposes, XM <sup>TM</sup> receivers cannot be swapped between vehicles. If this message is received after having your vehicle serviced, check with your Saab dealer.
XM Radion ID	Radio ID label (channel 0)	If tuned to channel 0, this message will alternate with the XM <sup>TM</sup> Radio eight digit radio ID label. This label is needed to activate the service.
Unknown	Radio ID not known (should only be if hardware failure)	If this message is received when tuned to channel 0, there may be a receiver fault. Consult with your Saab dealer.
Check XM Receiver	Hardware failure	If this message does not clear within a short period of time, the receiver may have a fault. Consult with your Saab dealer.

## CD player

### NOTICE

Do not use CDs with labels or stickers. These labels could detach and cause the audio system to malfunction.

Activate the CD player by inserting a disc or by pressing the CD AUX button if a CD is already loaded.



*CD player menu*

### Loading CDs

Insert the disc in the slot with the text side up until the mechanism loads the disc. The first track is played. If the disc is wrong-side-up, it will be ejected automatically.

Once all the tracks have been played, the CD player will restart from track 1.

The CD player is turned off by pressing ON/OFF to turn off the audio system or by selecting another audio source.

### Removing CDs

Press the EJECT button to eject the CD. If you press EJECT without removing the ejected disc, the player will reload the disc after 10 seconds for reasons of safety.

### Selecting and changing tracks

Turn the tone control or press the SEEK buttons to select or change to the preceding or next track. The track number appears in the display.

If the current track has played for at least 10 seconds, you can start the track from the beginning by pressing SEEK (arrow left).

If you press SEEK (arrow right) while the last track of the disc is playing, the first track will play.

If you press SEEK (arrow left) while the first track of the disc is playing, the last track will play.

The same function applies to "arrow up" and "arrow down" on the steering wheel.

### Rapid playing tracks

To rapid play the current track, hold REV or FWD depressed. Release the button to stop rapid play and return to normal playback.

### Random playback

You can allow the CD player to choose tracks randomly, i.e. not to play the tracks in numerical order.

- To play tracks randomly, press the pushbutton under the menu option **RDM**.
- To resume playing tracks in numerical order, press the pushbutton under the menu option **RDM** again.



*Random playback*

## CD changer \*

### NOTICE

Do not use CD or CD-R discs with labels or stickers. These labels could detach and cause the audio system to malfunction.

Activate the CD changer by inserting one or more CD/MP3 discs or by pressing the CD AUX button if one or more discs is already loaded.

## Loading CDs

### Loading a CD

- 1 Press the LOAD button. The following appears on the display: **Please Wait**
- 2 Wait until the loading mechanism is ready for the disc. The following appears on the display: **Insert CD**
- 3 Insert the disc in the slot with the text side up until the mechanism loads the disc. The following appears on the display: **Loading**

If the disc is wrong-side-up, it will be ejected automatically.

### Loading several CDs

The CD changer can be loaded with up to 6 discs. To load several discs in the CD changer:

- 1 Hold LOAD depressed for 2 seconds. A chime sounds and the following appears on the display: **Please Wait**
- 2 Follow the instructions on the display to load the discs.
- 3 If you do not wish to load more CDs, press LOAD to cancel.



### CD changer menu

The CD changer is turned off by pressing ON/OFF to turn off the audio system or by selecting another audio source.

## Removing CDs

### Removing a CD

- 1 Press EJECT to eject the disc. A chime sounds and the following appears on the display: **Ejecting**
- 2 Remove the ejected disc when the following appears on the display: **Remove CD**  
If you press EJECT without removing the ejected disc, the player will reload the disc after 10 seconds for reasons of safety.

### Removing several CDs

Hold EJECT depressed for 2 seconds to remove all discs from the CD changer. A chime sounds and the following appears on the display: **Ejecting All**

## Selecting and changing tracks

Turn the tone control or press the SEEK buttons to select or change to the preceding or next track. The track number appears in the display.

If the current track has played for at least 10 seconds, you can start the track from the beginning by pressing SEEK (arrow left).

If you press SEEK (arrow right) while the last track of the disc is playing, the first track will play.

If you press SEEK (arrow left) while the first track of the disc is playing, the last track will play.

The same function applies to "arrow up" and "arrow down" on the steering wheel.

For selecting/changing MP3 files, see page 102.

## Selecting/changing CD

Press the pushbuttons under the menu option **CD** in the display to change CDs. For selecting/changing MP3 folder, see page 103.



*Selecting/changing CD*

## Rapid playing tracks

To rapid play the current track, hold REV or FWD depressed. Release the button to stop rapid play and return to normal playback.

For rapid playing an MP3 file, see page 103.

## Random playback

You can allow the CD changer to choose tracks randomly from all CDs, i.e. not to play the tracks in numerical order.

- To play tracks randomly, press the pushbutton under the menu option **RDM**.
- To resume playing tracks in numerical order, press the pushbutton under the menu option **RDM** again.

For random playback of MP3 files, see page 103.



*Random playback from all CDs*

## MP3 player

### NOTICE

Do not use CD-R discs with labels or stickers. These labels could detach and cause the audio system to malfunction.

The audio system can play MP3 files recorded on an CD-R disc with the following bit speed: 32 - 320 kbps. Sound quality may vary depending on the quality of the CD-R disc, recording method and quality of the recorded music.

The audio system can read and play a maximum of 50 MP3 files, 50 playlists, 10 sessions and 255 MP3 files. Discs containing several folders, playlists, sessions and files can be played up to the max. limit. Anything over the max. limit will be ignored.

## Activating the MP3 player

Activate the MP3 player by inserting a CD-R disc with MP3 files into the slot or by pressing the CD AUX button if a disc with MP3 files is already loaded.

The first file in the first playlist on the disc is played and the following appears on the display:



*MP3 player*

## Loading MP3 discs

To load an MP3 disc, insert the disc in the slot with the text side up until the mechanism loads the disc. The first MP3 file in the first playlist of the disc will then be played. If the disc is wrong-side-up, it will be ejected automatically.

For loading one or more MP3 discs in the CD changer, see page 100.

## Removing MP3 discs

Press the EJECT button to eject the MP3 disc. If you press EJECT without removing the ejected disc, the player will reload the disc after 10 seconds for reasons of safety. For removing one or more MP3 discs from the CD changer, see page 100.

## Selecting/changing MP3 file

Turn the tone control or press the SEEK buttons to select or change to the preceding or next MP3 file in the current MP3 folder or playlist. The MP3 file number appears in the display.

If the current MP3 file has played for at least 10 seconds, you can start the MP3 file from the beginning by pressing SEEK (arrow left).

If you press SEEK (arrow right) while the last MP3 file in a folder or playlist is playing, the first MP3 file of the folder or playlist will play.

If you press SEEK (arrow left) while the first MP3 file in a folder or playlist is playing, the last MP3 file of the folder or playlist will play. The same function applies to "arrow up" and "arrow down" on the steering wheel.

## Selecting/changing MP3 folder

- Press the left pushbutton under the Folder symbol to play the first MP3 file in the preceding MP3 folder on the disc.
- Press the right pushbutton under the Folder symbol to play the first MP3 file of the next MP3 folder on the disc.

## Rapid playing an MP3 file

To rapid play the current MP3 file, hold REV or FWD depressed. Release the button to stop rapid play and return to normal playback.

## Random playback of MP3 files

You can allow the MP3 player to randomly select MP3 files, i.e. not to play the files in numerical order.

- For random playback of MP3 files, press the pushbutton under the menu option **RDM**.
- To resume playing MP3 files in numerical order, press the pushbutton under the menu option **RDM** again.



*Random playback of MP3 files*

## Playback order

Files on a CD-R disc will be played in the following order:

- The first MP3 file in the first playlist will be played, followed by all files in each playlist. When the last MP3 file in the last playlist has been played, playback starts from the beginning with the first MP3 file in the first playlist.
- The first MP3 file in the first MP3 folder will be played, followed by all files in each folder. When the last MP3 file in the last folder has been played, playback starts from the beginning with the first MP3 file in the first folder.

## Sorting music

To play MP3 files sorted by artist or album, press the pushbutton under the magnifying glass in the display.

The CD player searches through the disc and sorts files by artist and album. This could take several minutes depending on the number of MP3 files on the disc.

Once the sort is complete, select sort order by pressing the pushbutton under the menu option **Sort**.

- To sort and play MP3 files by artist, press the pushbutton under the menu option **Artist**.
- To sort and play MP3 files by album, press the pushbutton under the menu option **Album**.

## Song title, artist name, etc.

If a disc has been recorded with ID3 data (version 1 & 2), the song title, artist name, album title and MP3 folder name can be shown in the display.

- 1 Press the **i** button.
- 2 Press the pushbutton under the desired menu option. The song title, artist name, album title or MP3 folder name appears in the display.
- 3 Press the pushbutton under the arrow symbol to return to the previous menu.

File names with more than 32 characters or four pages will be shortened.



Information menu

## Portable player



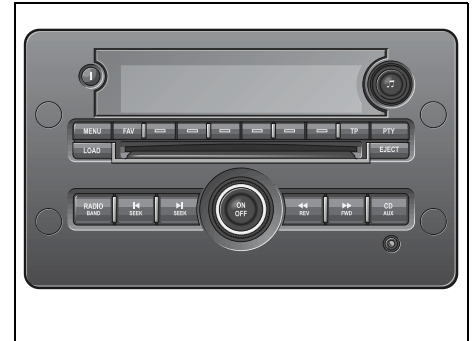
### WARNING

Place the portable player where it cannot be thrown around and cause personal injury in the event of a collision.

## AUX input \*

The AUX input is located at the bottom right of the audio system. It can be used to connect a portable unit, such as an MP3 player, to the audio system.

Adjust the sound settings using the control panel or the steering wheel controls. To change tracks, fast forward, etc., use the controls on the portable player.



AUX input at the bottom right of the audio system

## Connecting and activating a portable player

- 1 Connect the unit to the audio system via the AUX input.
- 2 Press the CD AUX button to activate the portable player.



## General functions

### WARNING

Adjustments should be made when the car is stationary so that attention to traffic is not reduced, increasing the likelihood of an accident.

## Setting time and date

### Cars without CD changer

- 1 Press the Clock button.
- 2 Press the pushbutton under the menu option you wish to change.
- 3 Press the pushbutton again to increase time or date one increment at a time. You can also adjust time and date by pressing the SEEK, FWD or REV button.

### Cars with CD changer

- 1 Press the MENU button.
- 2 Press the pushbutton under the clock symbol in the display.
- 3 Press the pushbutton under the menu option you wish to change.
- 4 Press the pushbutton again to increase time or date one increment at a time. You can also adjust time and date by pressing the SEEK, FWD or REV button.



*Setting time and date*

### Time and date display

- 1 In the clock menu, press the pushbutton under the arrow symbol in the display.
- 2 Specify whether time should be displayed with the 12-hour or 24-hour system and in which order date is to be indicated by pressing the pushbutton under the desired menu option.



*Time and date display*

### NOTICE

The menu option RDS <clock> has no function on US/CA cars.

## Speed dependent volume compensation

As vehicle speed increases, ambient noise also increases. If you do not wish to continually adjust the volume, the audio system can automatically adjust volume based on an increase or decrease in vehicle speed.

Select one of four settings:

- **Off** (no compensation)
- **Low** (low compensation)
- **Med** (medium compensation)
- **High** (maximum compensation)

- 1 Press the MENU button.
- 2 Press the pushbutton under the menu option **AUTO VOLUME**.
- 3 Press the pushbutton under the desired speed compensation.



*Speed dependent volume compensation*

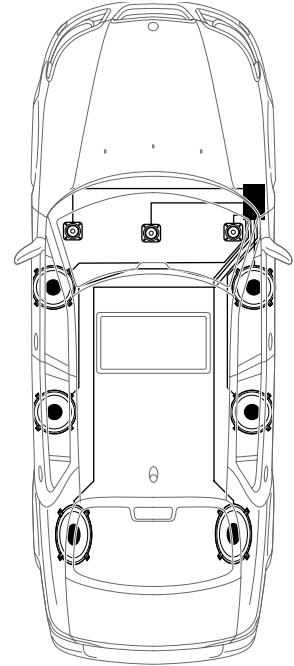
## Sound system

The sound system is called **Prestige**. Loudness is controlled automatically by the audio system, boosting the highest and lowest frequency ranges to enhance the sound image when the volume is set to a low level. Sound reproduction is therefore excellent whatever the volume setting.

The 9-5 SportCombi has 8 speakers as there is only one subwoofer in the luggage compartment.

## Prestige

The Prestige system has 9 speakers: three mounted in the instrument panel fascia (the centre speaker further enhances the sound image), one in each door and two subwoofers in the parcel shaft. The subwoofers enhance reproduction of the lowest bass notes.



## Technical data

### Tone controls

Bass \_\_\_\_\_  $\pm 8$  dB at 100 Hz

Treble \_\_\_\_\_  $\pm 8$  dB at 16 kHz

### Power output

Prestige \_\_\_\_\_ 200 W  
 150 W at 1% THD  
 and 13.5 V

### Radio module

Radio system \_\_\_\_\_ PLL frequency synthesizer tuner.

Number of presets

FM/AM/XM™\* \_\_\_\_\_ 6 x 6

Frequency range

FM \_\_\_\_\_ 87.7 - 107,9 MHz

AM \_\_\_\_\_ 530 - 1710 kHz

Tuning steps

Automatic tuning \_\_\_\_\_ FM 200 kHz  
 AM 10 kHz

Manual tuning \_\_\_\_\_ FM 200 kHz  
 AM 10 kHz

Frequency range (FM) 40 – 11000 Hz  
 $\pm 1$  dB

Distortion (FM) \_\_\_\_\_ < 0.5%

### CD player and CD changer

1-bit system and 8 x oversampling

Frequency range \_\_\_\_\_ 20 – 20000 Hz  
 $\pm 1$  dB

Distortion \_\_\_\_\_ <0.005%

Dynamics \_\_\_\_\_ >85 dB

CD changer capacity: 6 discs

Specifications in accordance with EIA Interim Standard.

THD = Total Harmonic Distortion

## Antennas

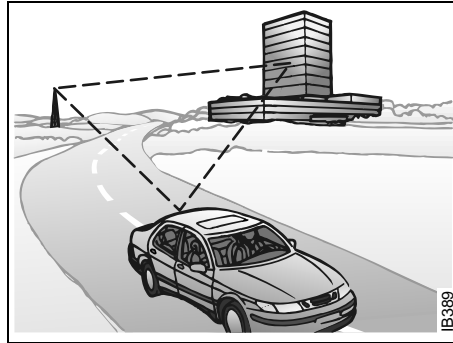
The audio system has two antennas incorporated in either the rear window or the windscreen: one for FM and one for AM.

The XM™ Satellite Radio antenna ✱ is located on the roof of the vehicle. Keep this antenna clear of snow and ice build up for clear radio reception.

- Roof loads can negatively affect telecommunication, GPS reception and the performance of the XM™ system ✱.
- If sun film is fitted to the rear window, it must be a pure-plastic variety to maintain good radio reception. Ensure that the film does not contain any metal.

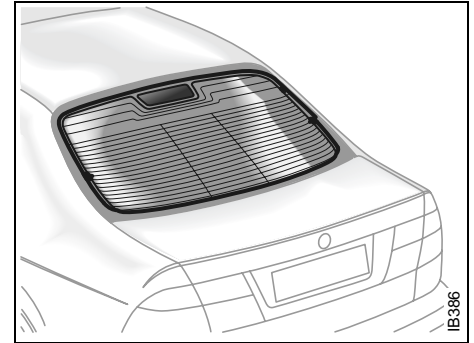
### NOTICE

Refrain from placing hard or sharp objects on the rear parcel shelf, to avoid damaging the antenna leads.



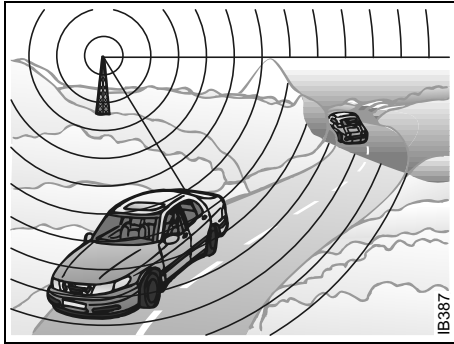
### Multipath propagation

Multipath propagation occurs when radio waves from an FM transmitter are reflected by a large building, or the like, causing them to arrive slightly later than the direct waves. This can create interference to radio reception. See also "Diversity antenna".



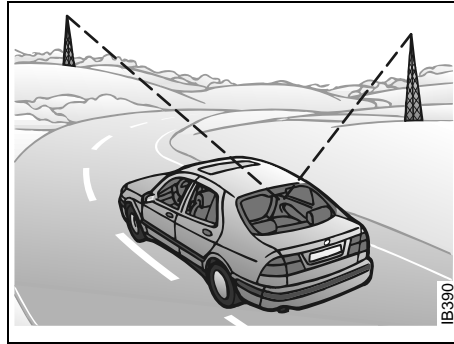
### Diversity antenna ✱

To improve radio reception when the topography is a problem, a second FM antenna, known as a diversity antenna, can be fitted in the rear window. Consult a Saab dealer for further information.



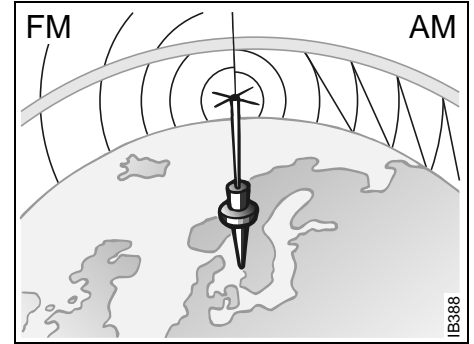
### Shadow effect

Because FM radio waves travel in straight lines from the transmitter, a shadow effect can occur when tall buildings or hills obstruct the propagation path from the transmitter to the car.



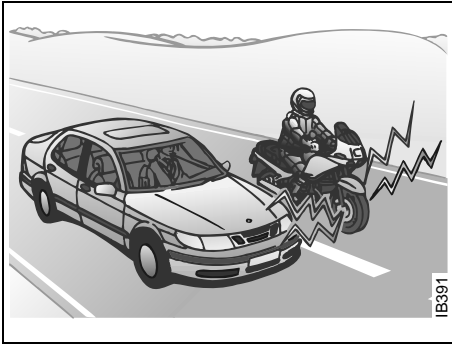
### Cross modulation

If the radio is tuned to a weak transmitter in the vicinity of a stronger one, the car's antennas will receive signals from both. Such interference is apparent when the unwanted broadcast can be heard faintly in the background.



### Radio waves, FM/AM

FM radio waves radiate in straight lines from the transmitter. Because such waves do not follow the curvature of the Earth, their strength becomes weaker the further they travel. That is why a large number of transmitters is needed to provide good reception. AM waves, on the other hand, are reflected off the ionosphere, thus greatly extending their range.



### Sources of FM interference

Interference to FM reception can be caused by the electrical systems in other vehicles, particularly if the signal from the transmitter is weak.



### Sources of AM interference

AM reception is prone to interference, e.g. from electrical systems in other vehicles, high-tension power lines and lightning.

## Error codes

### NOTICE

Proceed with care if rectifying a fault. If in doubt, contact a workshop. We recommend that you contact an authorized Saab dealer.

The audio system has a built-in diagnostics function. If a fault is detected, a error code is generated to help workshop technicians to diagnose the fault. Below are the codes for some faults that you might be able to rectify yourself.

Error code	Possible cause
Check CD	<ul style="list-style-type: none"> <li>• CD is dirty, scratched, loaded wrong-side-up or defective.</li> <li>• The CD may be improperly burned.</li> </ul>



### WARNING

The CD player/CD changer is classified as Class 1 laser equipment.

- Service and repair work must only be carried out by authorized technicians.
- If the casing is damaged, hazardous laser radiation can occur.

### NOTICE

All work on the audio system must be carried out by a workshop. We recommend that you contact an authorized Saab dealer.

## Security lock

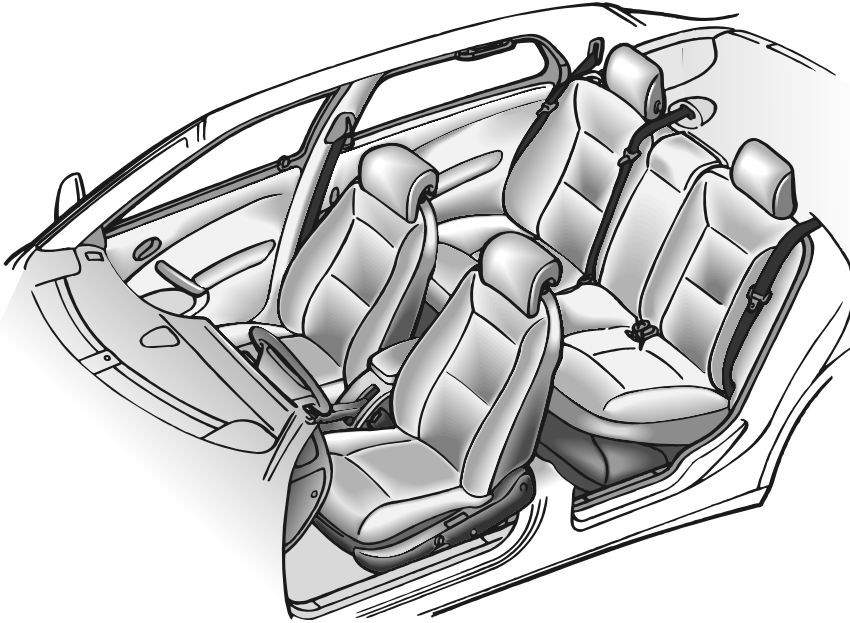
The audio system is equipped with an electronic security lock. The special code is unique to the car in which the audio system is fitted.

Each time the audio system is switched on, a check is made to ensure that the code is correct. If not, the following will appear on the display: **Locked**

If the audio system is to be transferred to another car (Saab 9-5), a Saab dealer must be contacted to provide the right code for the audio system.



## Interior equipment and trunk



Steering wheel adjustment _____	114
Electric windows _____	115
Rearview mirrors _____	116
Moonroof * _____	123
Interior lighting _____	124
Sun visors _____	125
Ashtrays * _____	126
Glove compartment _____	127
Cup holders _____	129
Trunk _____	130

IB394

\* Asterisk means: equipment not fitted in all cars (can depend on model variant, engine variant, market specification, options or accessories).

## Steering wheel adjustment

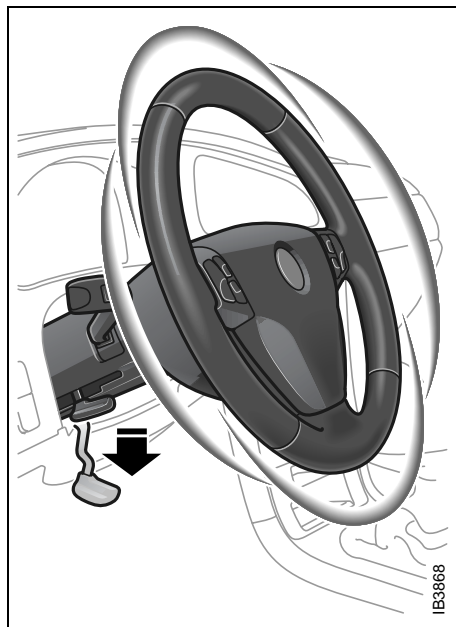
**⚠ WARNING**

Never adjust the steering wheel unless the car is stationary.

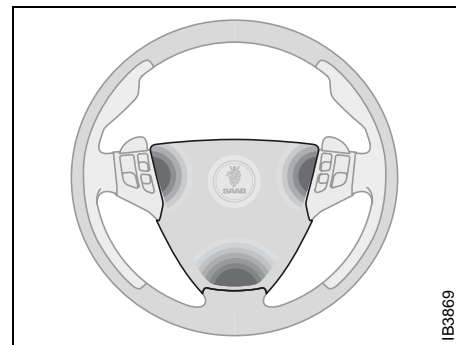
Fore-and-aft and tilt adjustment of the steering wheel is possible.

Pull down the lever fully until you hear a click. Move the steering wheel to the desired position and then raise the lever. The lever should lock with a click.

Make sure that the lever is fully locked before driving off.



*To adjust the steering wheel*



### Horn

The horn is sounded by pressing the central part of the steering wheel. Press closest to the steering wheel rim.

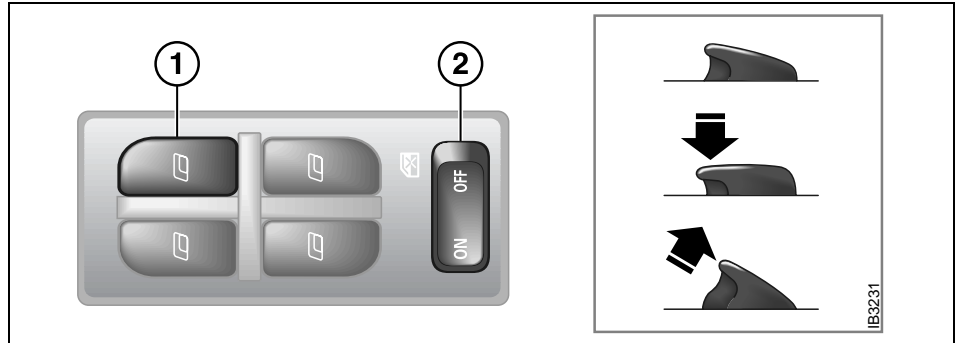
## Electric windows

### WARNING

Bear in mind the pinch hazard when the side windows are being wound up.

- **Always** remove the ignition key when you leave the car. This prevents personal injury caused by the electric windows, for example, due to children playing.
- The person operating the electric windows is responsible for ensuring that no one, especially children, has their head, hands or fingers in the window openings, before raising the windows. Raising the windows could otherwise cause serious or fatal injuries.
- Do not extend your arm, head etc. out of an open window while driving.

The electric motors of the front windows are equipped with overload protection (integrated thermal protection). This protection operates when the windows are wound down automatically (switch pressed fully down).



- 1 Window switches
- 2 Switch for rendering rear door window switches inoperative

### To open:

Front windows: press the front of the switch

Rear windows: Press the back of the switch.

The switches for the front windows have a third position for automatic opening of the window. Press the switch fully down to lower the window completely.

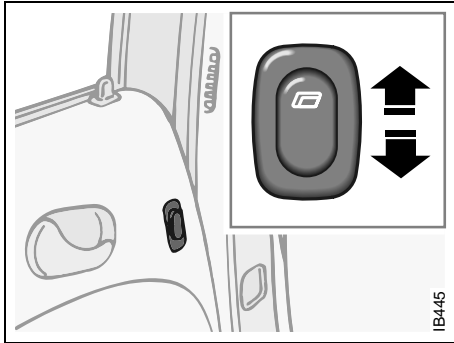
To cancel automatic lowering of the window, lift the switch briefly.

### To close:

Front windows: Lift the front of the switch.

Rear windows: Lift the back of the switch.

The actuating motor will be switched off automatically when the window is fully closed or when the switch is released.



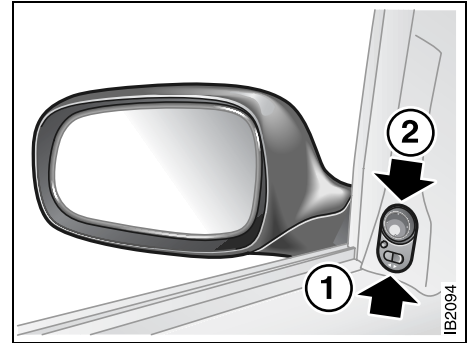
Switch for rear side window

### Child safety: rear windows (ON/OFF)

The window switches on the rear doors can be rendered inoperative by the ON/OFF switch in the panel on the center console.

When the switch is ON, the rear side windows can be operated by the switch on each rear door. The switch's back lighting will be activated.

When the switch is OFF, the rear side windows can only be operated from the panel on the center console. When off, the switch's back lighting will also be switched off.



Adjusting the door mirrors

- 1 Select mirror
- 2 Use touch pad to adjust mirror

## Rearview mirrors

### Door mirrors

The door mirrors may have an auto dimming function \* and the passenger side door mirror is of the wide-angle “aspheric” type.

The door mirrors are designed to fold back if knocked. They can also be fully retracted for parking in tight spaces, such as on the car deck of a ferry. Remember to fold them out again before driving off.

### NOTICE

The door mirrors should be fully retracted before the car enters an automatic car wash.

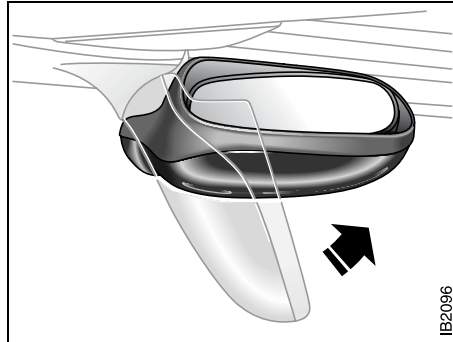
The adjusting switch is on the driver's door. If the car is equipped with a programmable driver's seat, the settings of the door mirrors can also be stored in the preset buttons for the seat (see page 20).

Cars equipped with a programmable driver's seat \* also have the ability to angle the passenger's mirror down when reversing, e.g. for a better view of the curb.

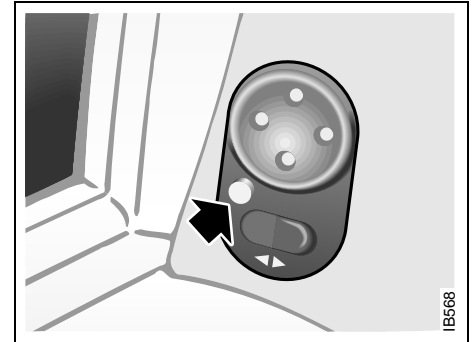
- 1 Select reverse.
- 2 Press the tiny button adjacent to the doormirror switch to tilt the mirror. The mirror will be reset automatically when reverse gear is deselected.

The mirror glass can also be adjusted manually by gently pressing the glass in the desired direction.

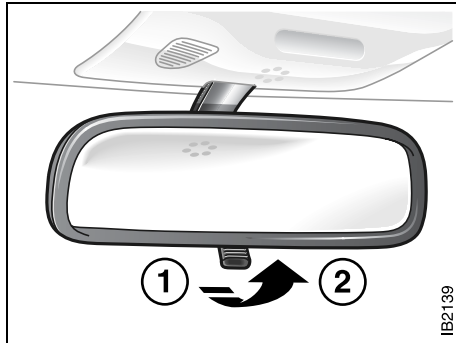
The mirrors are heated, and the heating comes on and goes off with the rear-window heater.



*Door mirror folded in*



*Button for angling passenger's mirror down when reversing*



Rearview mirror

- 1 Day position
- 2 Night position

### Rearview mirror

The rearview mirror has day/night positions that can be selected by means of a knob beneath the mirror. Adjust the mirror in day position.

### Interior rearview auto-dimming mirror with garage door opener, and digital compass \*

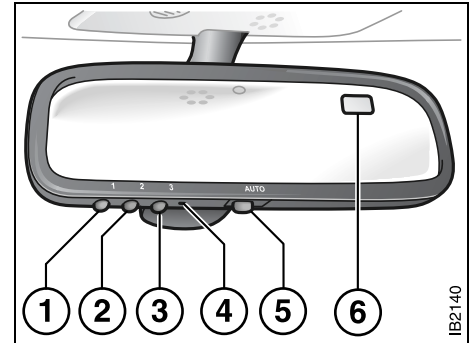
#### WARNING

Make sure that people and objects are out of the way of a moving door or gate to prevent potential harm or damage.

When programming the garage opener, you may be operating a garage door or gate operator. Therefore it is advised to park outside of the garage.

Do not use the garage opener with any garage door opener that lacks the safety stop and reverse feature as required by federal safety standards. (This includes any garage door opener model manufactured before April 1, 1982.). A garage door opener which cannot detect an object, signalling the door to stop and reverse, does not meet current federal safety standards. Using a garage door opener without these features increases risk of serious injury or death.

Retain your original garage door transmitter for future programming procedures (i.e., new vehicle purchase). It is also suggested that upon the sale of the vehicle, the programmed garage opener buttons be erased for security purposes.



Buttons for garage opener and compass

1-3 Garage opener

4 LED

5 Compass/auto dimming ON/OFF

6 Compass bearing

**Preparations for first-time programming**

Before programming the garage opener for the first time, you must delete any factory codes.

Press and hold the two outer buttons until the indicator light begins to flash-after 20 seconds. Release both buttons. Do not hold for longer than 30 seconds. The garage opener is now in the train (or learning) mode and can be programmed at any time beginning with "Programming" - step 2.

**Programming**

The garage opener can record and store the frequencies of three different remote controls.

The battery in the remote control should be fairly new for programming to work well.

**Do not repeat "Programming" - step two** to train additional devices to a second or third button. Begin with "Programming" - step three.

- 1 Turn the ignition ON.
- 2 Press and hold the two outer buttons (buttons one and three) - releasing only when the indicator light begins to flash (after 20 seconds). **Do not** hold the buttons for longer than 30 seconds and **do not repeat step two** to program a second and/or third hand-held transmitter to the remaining two buttons.
- 3 Position the end of your hand-held transmitter 1-3 inches (5-14 cm) away from the button you wish to program while keeping the indicator light in view. The

transmitter should face the mirror from below or left side of the mirror.

- 4 Simultaneously press and hold both the chosen and hand-held transmitter buttons. **Do not release the buttons until step 5 has been completed.**

**Note:** Some gate operators and garage door openers may require you to replace this Programming Step 4 with procedures noted in the "Gate Operator / Canadian Programming" section.

- 5 After the indicator light changes from a slow to a rapidly blinking light, release both the mirror and hand-held transmitter buttons.
- 6 Press and hold the just-trained button and observe the indicator light. If the indicator light **stays on constantly, programming is complete** and your device should activate when the button is pressed and released.

**Note:** To program the remaining two buttons, begin with "Programming" - **step three. Do not repeat step two.**

If the indicator light blinks **rapidly for two seconds and then turns to a constant light continue with "Programming" steps 7-9** to complete the programming of a rolling code equipped device (most commonly a garage door opener).

- 7 At the garage door opener receiver (motor-head unit) in the garage, locate the "learn" or "smart" button. This can *usually* be found where the hanging

antenna wire is attached to the motor-head unit.

- 8 Firmly press and release the "learn" or "smart" button. (The name and color of the button may vary by manufacturer.)

**Note:** There are 30 seconds in which to initiate step nine.

- 9 Return to the vehicle and firmly **press, hold for two seconds and release the "press/hold/release"** sequence a second time, and, depending on the brand of the garage door opener (or other rolling code equipped device), repeat this sequence a third time to complete the programming process. The garage opener should now activate your rolling code equipped device.

**Note:** To program the remaining two buttons, begin with "Programming" - **step three. Do not repeat step two.**

### Gate Operator / Canadian Programming

Canadian radio-frequency laws require transmitter signals to "time-out" (or quit) after several seconds of transmission - which may not be long enough for the garage opener to pick up the signal during programming. Similar to this Canadian law, some U.S. gate operators are designed to "time-out" in the same manner.

If you live in Canada or you are having difficulties programming a gate operator by using the "Programming" procedures (regardless of where you live), **replace "Programming" step 4** with the following:

**Note:** If programming a garage door opener or gate operator, it is advised to unplug the device during the "cycling" process to prevent possible overheating.

Continue to press and hold the button while you **press and release - every two seconds** ("cycle") your hand-held transmitter until the frequency signal has successfully been accepted by the garage opener. (The indicator light will flash slowly and then rapidly.)

Proceed with "Programming" step five to complete.

<b>NOTICE</b>
---------------

Switch off the power supply to the garage door or gate (or park the car beyond the range of the remote control) while programming using the "cycling" method to prevent damaging the electrical motor.
--

### Reprogramming a single button

To program a device to the garage opener using a button previously trained, follow these steps:

- 1 Press and hold the desired button. **DO NOT** release the button.
- 2 The indicator light will begin to flash after 20 seconds. Without releasing the button, proceed with "Programming" - step 3.

### Erasing the three buttons

To erase programming from the three buttons (individual buttons cannot be erased but can be "reprogrammed" as outlined below), follow the step noted:

- Press and hold the two outer buttons until the indicator light begins to flash-after 20 seconds. Release both buttons. Do not hold for longer than 30 seconds. The garage opener is now in the train (or learning) mode and can be programmed at any time beginning with "Programming" - step 3.



### Opening a garage door

To operate, simply press and release the programmed button. Activation will now occur for the trained device (i.e. garage door opener, gate operator, security system, entry door lock, home/office lighting, etc.). For convenience, the hand-held transmitter of the device may also be used at any time.

#### NOTICE

Switch off the power supply to the garage door or gate (or park the car beyond the range of the remote control) while programming using the "cycling" method to prevent damaging the electrical motor.

This device complies with Part 15 of the FCC Rules. Operation is subject to the following two conditions: (1) this device may not cause harmful interference, and (2) must accept any interference received, including interference that may cause undesired operation.

Changes or modifications not expressly approved by the manufacturer could void the user's authority to operate the equipment.

Canada only:

This device complies with RSS-210 of Industry Canada. Operation is subject to the following two conditions: (1) this device may not cause interference, and (2) this device must accept any interference, including interference that may cause undesired operation of this device.

### Rearview auto-dimming mirrors \*

The autodimming is activated and deactivated with a short push on button 2.

If the mirror is equipped with Garage Door Opener (option) the letter 1 is displayed on compass bearing display briefly when auto dimming is activated. When deactivating the letter 0 is displayed.

The interior rearview mirror has two sensors, one forward-facing and one rear-facing. They also activate and deactivate the auto dimming feature on door mirrors.

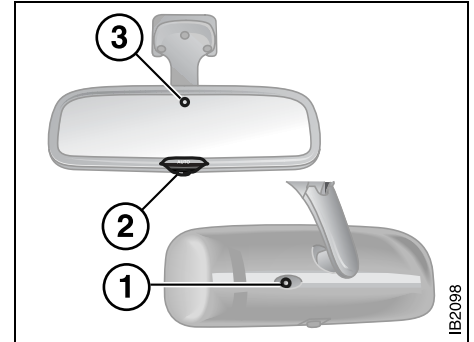
The system is activated when the forward-facing sensor detects that it is dark outside and the rear-facing sensor detects. For example, if the car following has not dimmed its headlights. The rearview mirrors are then darkened to prevent the strong light source from dazzling the driver. This darkening is stepless.

The mirrors return to their normal states when the strong light source diminishes.

The auto dimming function can be turned OFF with the switch on the lower edge of the rear-view mirror.

#### NOTE

Towing a trailer can cause the system to malfunction, as the rear-facing sensor may sense light from the trailer.

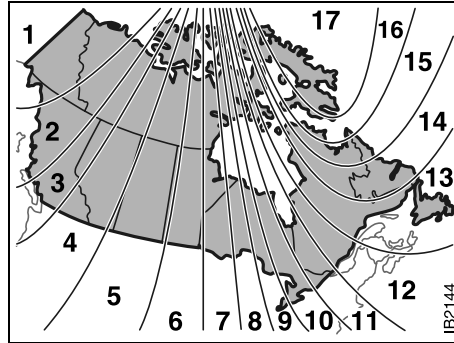


- 1 Forward-facing sensor
- 2 ON/OFF switch, auto dimming function
- 3 Rear-facing sensor

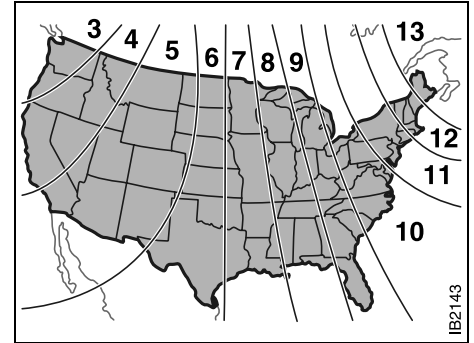
## Compass

The compass is integrated in the rearview mirror. The compass bearing is displayed in the top right-hand corner of the mirror and is updated every other second. The compass displays the car's direction of travel: N, NE, E, etc.

Switch the compass display on and off by pressing button 5 for 3 seconds.



*Compass zones in Canada*



*Compass zones in US*

### Changing zones

The earth's magnetic fields vary depending on one's position on the globe. If you drive your car from one magnetic zone to another the compass setting will need to be changed to ensure a correct bearing.

- 1 Study the illustrations to determine the correct zone.
- 2 Press and hold button 5 until "ZONE" is shown in the display on the mirror (6 seconds). The zone number setting now is also shown.
- 3 Press button 5 repeatedly to change the zone number. There are 15 zones from which to choose. Once the correct zone is selected, release the button and wait 4 seconds. The compass will now display the bearing.

### Calibration

Calibration is performed automatically during travel. If an accessory, such as a mobile phone, is fitted and it can be assumed that the compass is affected, the compass may need to be calibrated manually.

- 1 Press and hold button 5 until "CAL" and the compass bearing are displayed (approx. 9 seconds).
- 2 Drive in circles (max. 5 mph/8 km/h) or drive as normal until "CAL" is no longer displayed.

## Moonroof \*

### WARNING

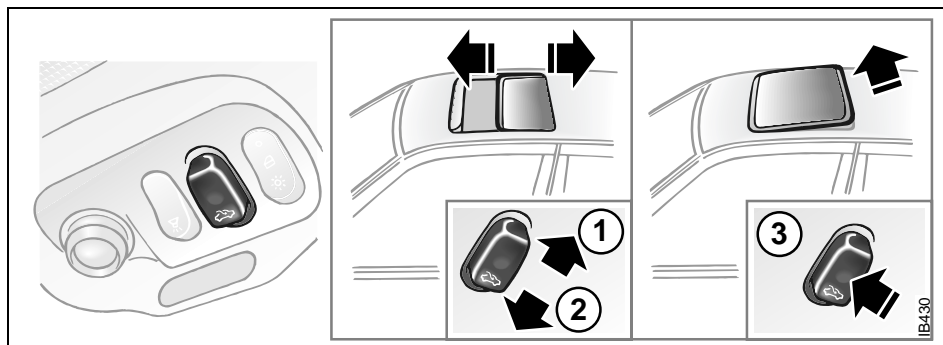
Bear in mind the pinch hazard when closing the moonroof.

- **Always** remove the ignition key when you leave the car. This prevents personal injury caused by the electric moonroof, for example, due to children playing.
- The person operating the electric moonroof is responsible for ensuring that no one, especially children, has their head, hands or fingers in the opening, before closing the moonroof. Operating the moonroof could otherwise cause serious or fatal injuries.
- Do not extend your arm, head etc. out of an open moonroof while driving.

The moonroof is operated by the switch on the overhead panel above the rearview mirror. The moonroof can be opened partially or fully.

#### To open:

- Slide the control towards the rear to open the moonroof to the comfort position. To open it fully, slide the control back a second time. Press the control to stop it earlier.



#### *moonroof control*

- 1 To open
- 2 To close
- 3 Ventilation position

#### To close:

- Slide the control forwards until the moonroof is closed.

#### Ventilation position

- Press the middle of the control (when moonroof closed).

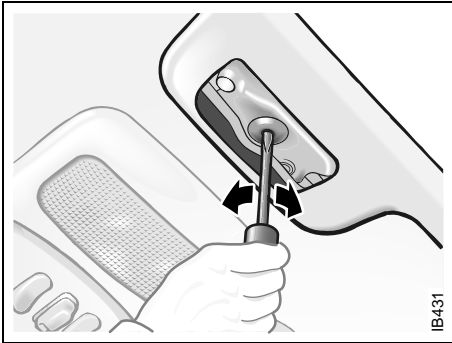
- To close: slide the control forwards.

To fully open the moonroof from the ventilation position, slide the control back.

The moonroof incorporates an interior, manual, sliding sun blind.

If the car is newly waxed, the moonroof may creak when opened to the ventilation position or when driving with the moonroof closed. The sound comes from the area where the front edge of the moonroof meets

the metal roof. Open the moonroof fully and, using washer fluid, clean the seal on the leading edge of the moonroof and the painted surface against which this seals when the moonroof is closed.



Manual operation of moonroof

## Emergency operation of moonroof

In an emergency (e.g. if there is an electrical failure) the moonroof can be operated by a screwdriver. Remove the cover at the front of the moonroof opening, insert a screwdriver in the groove, and rotate.

Rotate counterclockwise to close moonroof.



- 1 Interior lighting on continuously
- 2 Lighting comes on when a door is opened
- 3 Lighting always off

## Interior lighting

The interior lighting consists of one dome light in the front and one in the back, a map-reading light in the front, two reading lights in the back, floor courtesy lights in the front (in some model variants) and door courtesy lights on all doors.

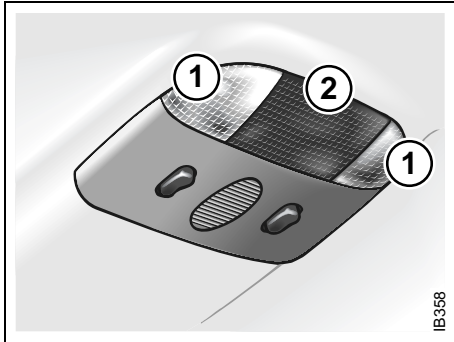
The courtesy lights come on automatically when the respective door is opened. Each reading light has its own switch adjacent to the lamp.

The switch for the dome lights is on the front overhead panel. When the switch is in the mid-position (door-activated), the interior lighting will come on:

- When the car is unlocked from the outside.
- When any door is opened.
- When the ignition key is withdrawn from the ignition switch.

Lighting goes out 30 seconds after the doors have been closed or:

- when the ignition is switched ON, provided that the cabin lighting control is in the centre position
- when the car is locked with the remote control.



- 1 Reading lights
- 2 Dome light

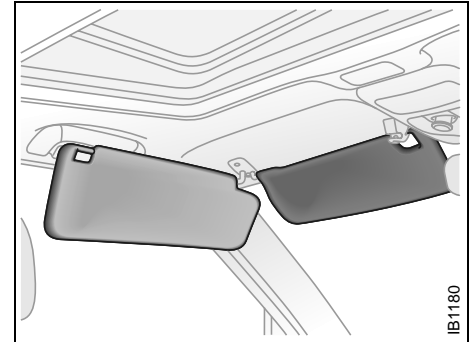
There is also a light in the sun visors. The light comes on when the cover over the vanity mirror is opened.

When the ignition is OFF, if a door has been left open for 20 minutes, the interior lighting will be switched off automatically to save the battery.

## Luggage-compartment lighting

The luggage-compartment lighting comes on automatically when the trunk is opened and goes out when the trunk is closed.

The lighting will also be switched off automatically after 20 minutes if the trunk has been left open.



*Sun visor*

## Sun visors

The car is equipped with double sun visors. One section of the visor can be independently pivoted to the side window.

A vanity mirror is provided on the back of the sun visors. The vanity mirrors are illuminated when the cover is raised.

## Ashtrays \*

The car can be equipped with three ashtrays: one in the instrument panel fascia, and one in each rear door. A cigarette lighter is fitted adjacent to the front ashtray, and there is also one in the back of the center console.

### Front ashtray

- 1 To open the ashtray, push gently on the center/upper part of the front and release to allow it to spring out.
- 2 Close the ashtray in the same way.

To remove the ashtray, open it and after that pull left side out at an angle.

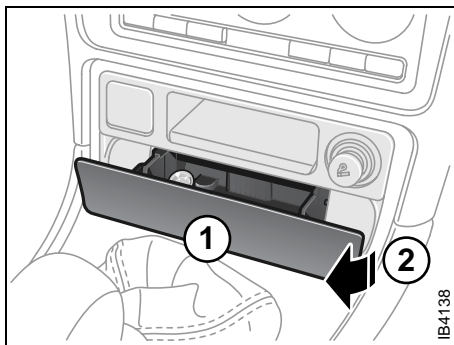
To refit, line up the slots on either side and slide it closed.

### Rear ashtrays \*

Open the lid to use ashtray.

To remove the ashtray, fully open the lid and lift the ashtray straight out.

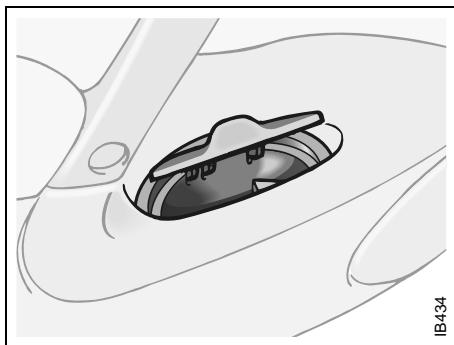
To refit the ashtray, make sure it engages the two square recesses in the door trim.



### Front ashtray \*

- 1 Press soft to open/close
- 2 Pull out one side at an angle

### Rear ashtray \*



## Cigarette lighters \*

The car is provided with cigarette lighters next to the front ashtray and in the rear end of the center console.

The cigarette lighter sockets can also be used for accessories (e.g. to charge a mobile phone) when the ignition is ON.



The maximum combined load for the two cigarette lighter sockets is 240 W (20 A).

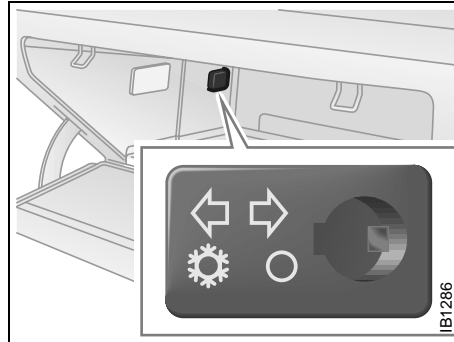
## Glove compartment

### **WARNING**

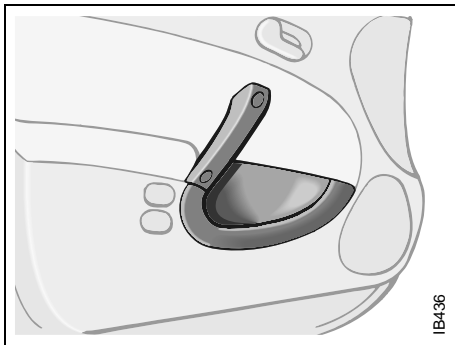
The glove compartment must be closed while travelling. An open glove compartment door could cause leg injuries in the event of a crash.

The glove compartment can be cooled by the air conditioning (ACC) system. Cold air can be directed to the glove compartment for keeping drinks cool, etc.

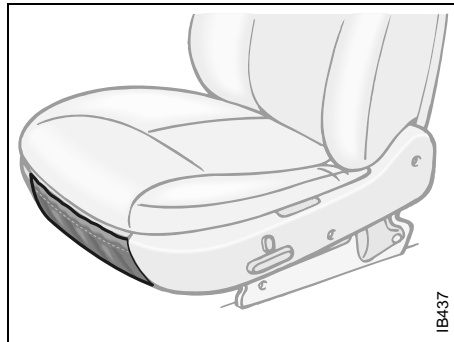
Slide the cover to open/close the air inlet. Additional storage facilities are provided (see next page).



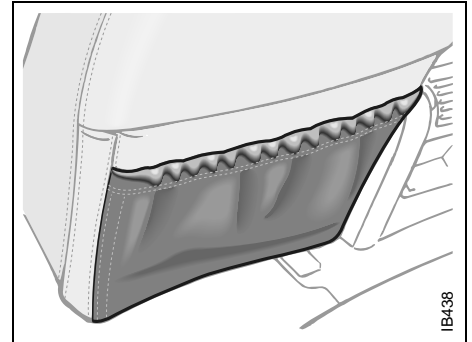
*Sliding cover in glove compartment to admit cold air*



*In the doors*

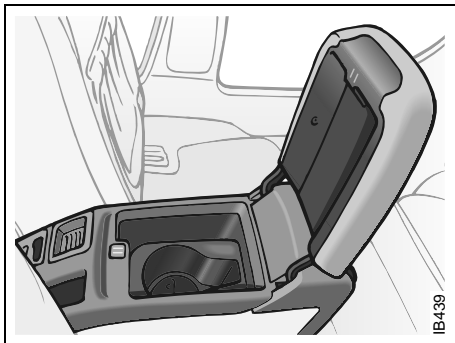


*On leading edge of front seats \**



*On the back of the front seats \**

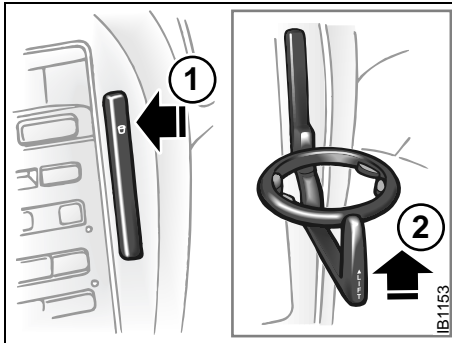
*Console between front seats*



*Center armrest for rear seat \**







#### Cup holder in fascia

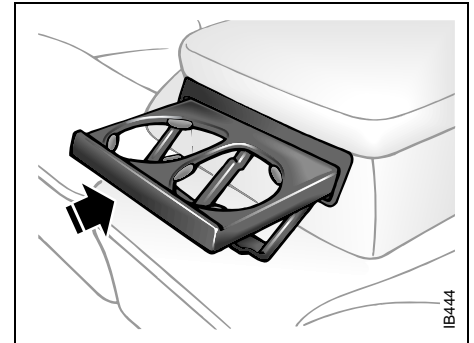
- 1 Press symbol to open
- 2 Lift bottom to close

### ⚠ WARNING

- The cup holder should not be used to hold cups made of china, glass or hard plastic as these can cause injury in the event of a crash.
- Use only for paper cups or aluminium cans.
- Avoid spillage, particularly of hot drinks.
- Avoid putting oversized cups in the cup holder.

### NOTICE

Take care not to spill any liquid on the audio system, ignition switch or the like when using the cup holders. Soft drinks in particular can cause malfunction.



Cup holder in rear armrest \*  
Press the edge to open/close.

## Cup holders

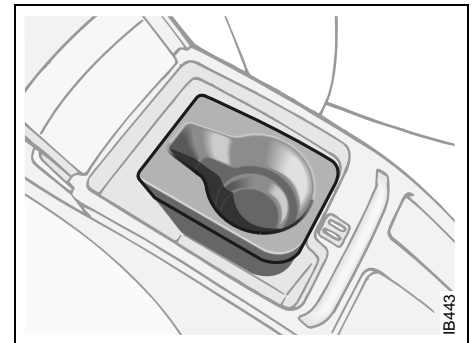
Cup holders are provided in the instrument panel fascia, in the center console compartment between the front seats, and in the rear-seat armrest (certain variants only).

To access the cup holder in the instrument panel, press the symbol and release.

To access the cup holder in the rear seat armrest, lower the armrest and press the front edge of the holder. Close in the same way.

The number of cup holders provided may vary between models.

Cup holder in center console \*

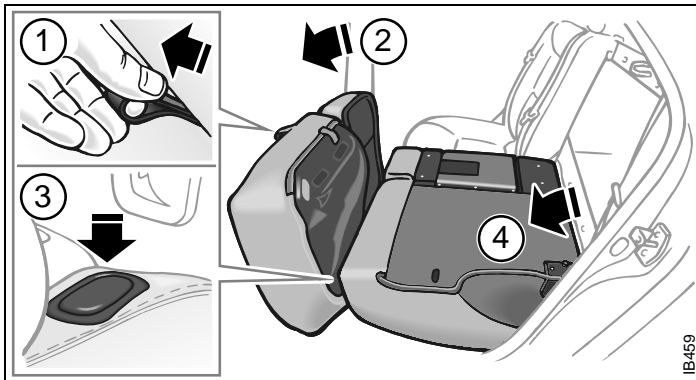


## Trunk

### Folding the rear seat, 9-5 Sedan

The rear seat is split and the two sections can be folded independently. Folding down of the rear seat is easier if the front seats are not all the way back, and the rear head restraints are folded down.


- 1 Raise the rear seat cushions by pulling the loop located between the cushion and the backrest.
- 2 Tip the seat cushion forward.
- 3 Press the button adjacent to the respective backrest to release it.
- 4 Fold down the backrest.



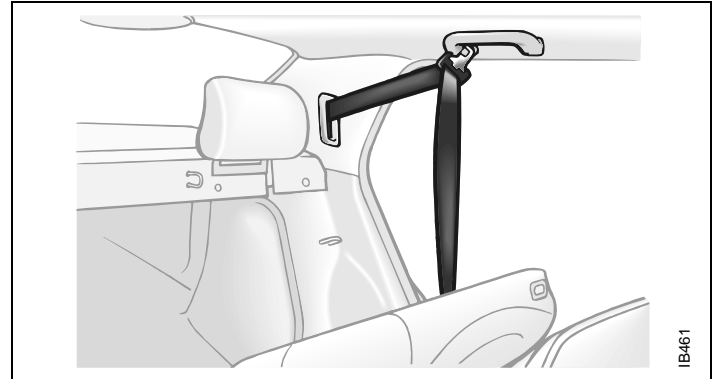
### WARNING

- Never leave a child or animal unattended in the car. During sunny weather the temperature in the passenger and luggage compartments can climb to 158–176°F (70–80°C). Small children are very susceptible to heat stroke.
- Rear-seat passengers should always ensure that the head restraint is raised and in proper position for the seats to be occupied.
- Keep hands well clear of all moving parts.
- Never place heavy objects on the rear window shelf. There is always a danger of loose objects flying about and causing injury if the car should brake suddenly or be involved in a crash.
- Before folding up the backrest, hang the outer safety belts onto the hook on the respective courtesy handle to prevent them from becoming trapped.
- Check that the seatbelt locks do not get trapped under the seat cushions when these are raised back up.
- Make sure that the backrest is locked when it is restored to an upright position. Check that the back rest release button (3) is flush with the surround before entering the rear seat. This indicates that the backrest is locked.

 **WARNING**

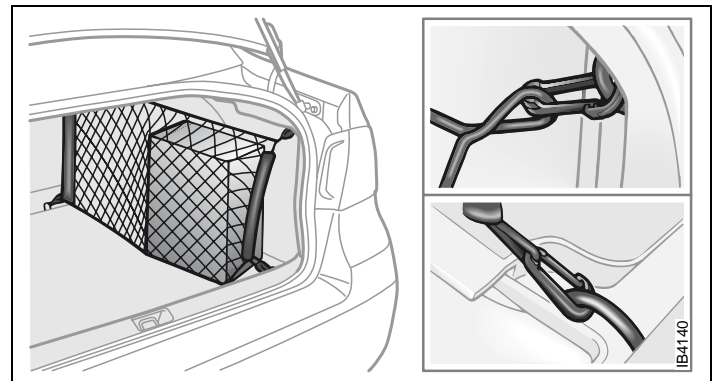
- Place heavy items closest to the backrest and stow smaller and lighter items on top.
- **Never** overload the cargo net . If the elastic breaks this may cause personal injury. Do not use a cargo net that shows signs of wear.
- Secure heavy and bulky items using the tie down points provided in the trunk. This will avert the danger of luggage flying around if the car should brake suddenly or be involved in a crash (see page 132).
- Secure small items if the backrest is folded down or the load-through hatch is open. Small items can also be thrown around inside the car and cause personal injury.
- Do not exceed the load capacity of the car, as this will alter its handling characteristics (see page 260).
- Make sure that the seat cushions and backrests are properly secured when folding them back to their normal position. Check that the button (item 3 on page 130) is flush with the surround before entering the back seat.

The tail pipe of the exhaust system can become very hot during driving. Bear this in mind when loading and unloading the car so that children, for example, do not burn themselves.



IB461

*Outer safety belt hooked onto courtesy handle*



IB41.140

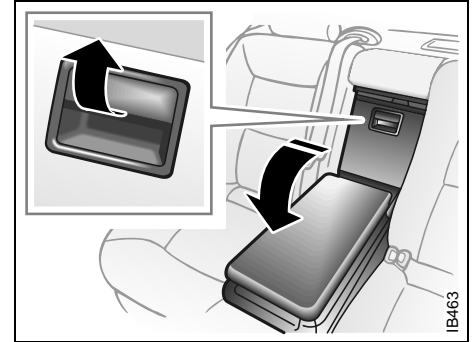
## Trunk pass-through hatch

A trunk pass-through hatch is incorporated in the rear seat backrest to enable long, narrow items to be carried inside the car.

Items should not weigh more than 33 lbs. (15 kg) nor be more than 2 yards (2 metres) in length. See the label on the hatch.

- 1 Fold down the armrest.
- 2 Raise the hatch by lifting the handle.

Before loading or unloading long items, switch off the engine and apply the parking brake. This averts the danger of the car moving off suddenly if a long item were to knock the gear or selector lever into gear.

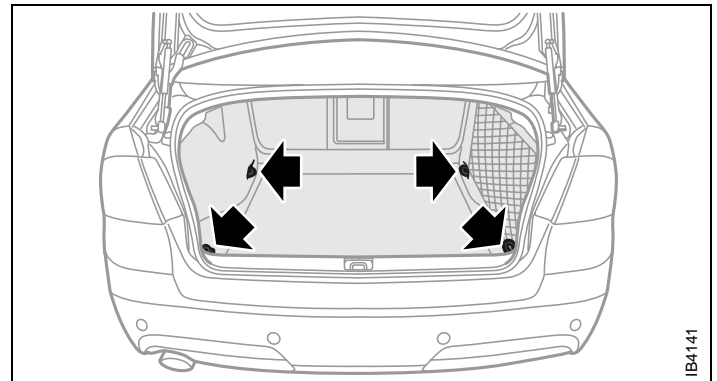


### **WARNING**

- Anchor the load securely (e.g. using middle safety belt) to avoid danger of injury resulting from displacement of load on hard braking.
- Do not exceed the load capacity of the car, as this will alter its handling characteristics (see page 260).

## Tie Downs

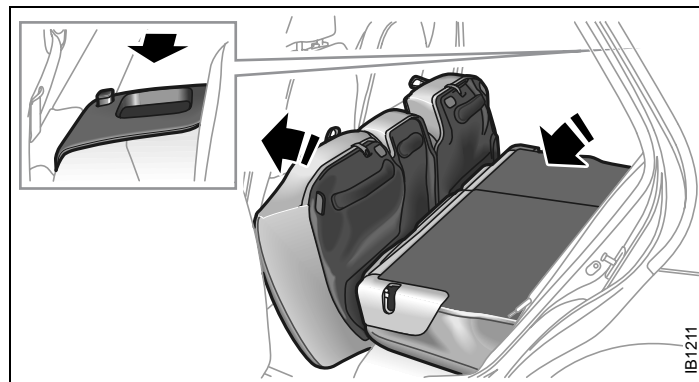
The tie downs for securing the load are fitted inside the trunk. Place the load as far in as possible.



## Folding the rear seat, 9-5 SportCombi

Both the narrow and wide sections of the rear seat can be folded separately. Folding is facilitated if the front seats are not located too far back. The wide section cannot be folded separately if a cargo net (accessory) is mounted on the rear of the backrest.

- 1 Make sure that the head restraint is in the down position. For height adjustment refer to page 21.
- 2 Put the safety belts for the outer seat places in their respective belt clips, which are located near the backrest (see illustration).
- 3 Raise the rear seat cushions by pulling the loop located between the cushion and the backrest.
- 4 Fold the narrow section (right) of the backrest forward by raising the opening handle on the right-hand side.
- 5 Fold the wide section of the backrest forward in the corresponding manner.
- 6 Adjust the front seats for optimal driving/passenger comfort.

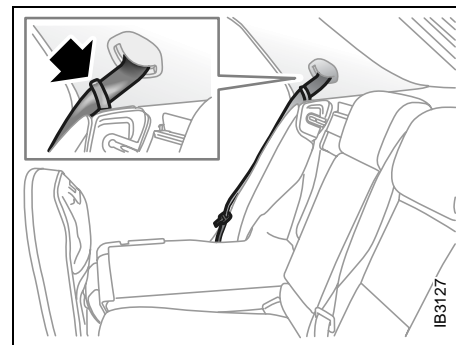


IB1211

### NOTICE

The safety belts for the outer seating positions should be put in their respective belt clips near the backrest to prevent them from being pinched when the rear seat is raised to the upright position.

*Safety belt located in its belt clip*



IB3127



**WARNING**

- Do not travel in the back seat without ensuring that the head restraint is set at a suitable height for the seats to be occupied.
- Never allow anyone to sit on a folded backrest.
- Always be aware of the risk of pinching when handling moving parts of the seating.
- Never place heavy objects on the parcel shelf. There is always a danger of loose objects flying about and causing injury if the car should brake suddenly or be involved in a crash.
- Make sure that the backrests are locked when they are folded back upright. Check that the two red warning-indication flags are fully down. This indicates that the backrests are locked.
- Check that the safety belt lock is not trapped under the seat cushions when these are raised back up.
- Never leave a child or animal unattended in the car. During sunny weather the temperature in the passenger and luggage compartments can climb to 158–176°F (70–80°C). Small children are very susceptible to heat stroke.

## Parcel shelf, 9-5 SportCombi

### Fold the parcel shelf as follows:

- 1 Press the rear edge of the shelf downwards and forwards.
- 2 Continue pressing the folded section forward until it is folded over the front section.

### Extend the parcel shelf as follows:

- 1 Hold the rear edge of the shelf and pull it back.
- 2 The shelf rests on a track located beneath the rear side windows. Make sure that the rear corner fits in the recess. Otherwise it will not lie flat.

### Alternative location of the parcel shelf if this is removed:

- Folded up on the floor at the rear of the luggage compartment.
- On its end on the floor behind the front seat backrest.

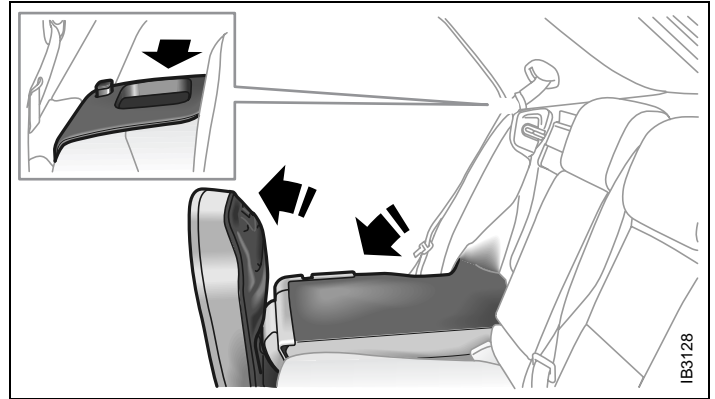
## Folding the narrow section of the backrest

The folding is facilitated if the front seat is not too far back.

- 1 Make sure that the head restraint is in the down position. For height adjustment refer to page 21.
- 2 Put the safety belt in the belt clip near the backrest.
- 3 Raise the rear seat cushion by pulling the loop located at the rear of the cushion.
- 4 Fold the narrow section (right) of the backrest forward by raising the opening handle.
- 5 Adjust the front seat for optimal passenger comfort.




### NOTICE


The safety belts for the outer seating positions should be put in their respective belt clips near the back rest to prevent them being pinched when the rear seat is raised to the upright position, see illustration page 133.



## Load anchoring

### WARNING

- Put heavy loads as low down and as far forward as possible in the luggage compartment, i.e. against the back of the rear seat.
- **Never** overload the cargo net . If the elastic breaks this may cause personal injury. Do not use a cargo net that shows signs of wear.
- Never stack cargo so high that any part of the cargo lies above the edge of the backrest, if a cargo guard  is not being used.
- Always tie down the cargo so that it cannot be thrown forward during heavy braking or in the event of a crash.
- Unsecured and heavy cargo can increase the risk of injury during hard braking, sudden avoidance maneuvers and in the event of a crash.
- For the best load anchoring, use the special cargo tie down eye and load straps .
- Load the cargo tie down eyes evenly. Never attach more than one strap to each tie down eye.

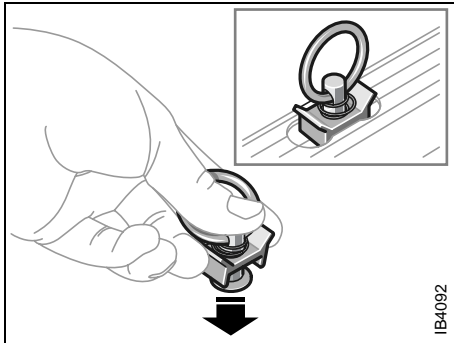
- Provide protection on sharp edges to prevent damage to the load straps.
- Never use the elastic floor net  and elastic side net (accessory) when the rear seat is folded down. These nets are only intended to keep light objects tidy, not for the anchoring of loads.
- If possible, avoid having the rear seat folded down when driving with a heavy load because the anchoring possibilities are restricted when the rear seat is in this position. **That the rear seat is in the upright position is a basic requirement for protection against cargo displacement in the event of a crash.**
- Cargo can intrude into the passenger compartment during a sudden stop or front crash if the outer safety belts are not fastened. Check that the two red warning-indication flags are fully down. This shows that the backrests are locked.

### WARNING

- Match the speed and driving style according to how the car is loaded. The driving characteristics of the car can be affected because the center of gravity is altered when there is a cargo in the luggage compartment.
- An object weighing 55 lbs. (25 kg) corresponds to a weight of 2200 lbs. (1000 kg) in a head on crash at 32 mph (50 km/h).
- Adjust the car's load (passengers and luggage) so that the gross vehicle weight or the axle weight is not exceeded, see page 260.

Driving with the trunk lid/tailgate open, see page 185.





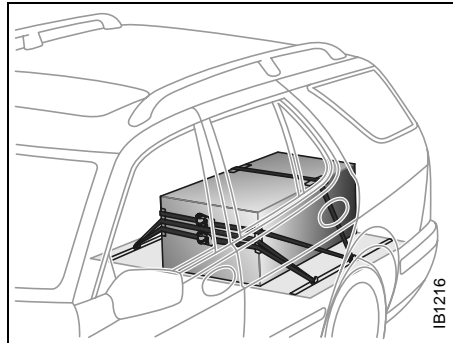
IB4092

*Cargo tie down eye ✱ mounted on the longitudinal rails ✱*

On the floor of the luggage compartment there may be two longitudinal aluminium rails (CargoTracks™) where accessory cargo tie down eye can be mounted.

Fitting a lashing eye:

- 1 Hold it between your forefinger and middle finger with the ring up.
- 2 Press down the spring centre section with your thumb.
- 3 Insert the centre section into one of the holes and move the lashing eye forward or back slightly to fit it into the middle of the recess in the rail.
- 4 Release it.
- 5 Check that the lashing eye is firmly fitted by pulling on it.



IB1216

*Example of cargo anchoring*

Items for load anchoring:

- Cargo tie down eye ✱.
- Special load straps ✱.

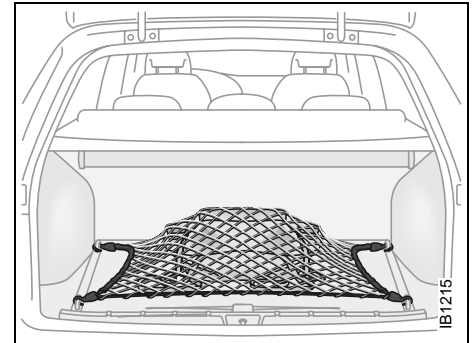
Items to keep light objects tidy ✱:

- Elastic floor cargo net ✱.
- Elastic side cargo net for the right-hand side of the luggage compartment ✱.

The elastic nets may only be used to keep light objects tidy, not for anchoring.

The floor net should be attached to the cargo tie down eye that are mounted on the CargoTracks™. Place the tie down eyes as far forward and as far back as possible on the CargoTracks™.

The side netting should be attached to the two tie down eyes which are included in the



IB1215

*Elastic cargo net for lighter objects.*

accessory kit and to two of the eyes mounted on the right-hand CargoTrack™ on the floor.

The cargo tie down eyes, load straps and elastic nets are stored in the two floor lockers on the right- and left-hand side of the luggage compartment. The lockers are opened by lifting the respective fabric loop.

**NOTICE**

Do not place any objects so that the demisting and antenna elements on the inside of the window could be damaged.

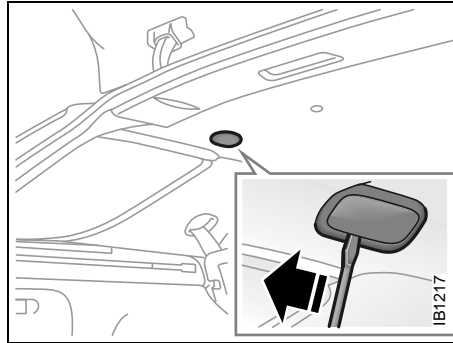
## Cargo net \*

### WARNING

The cargo in the luggage compartment must be anchored properly, even if the cargo net is correctly in position. The only purpose of the net is to prevent light objects from being thrown about in the cabin during heavy braking or in the event of a crash.

Install the net behind the rear seat backrest.

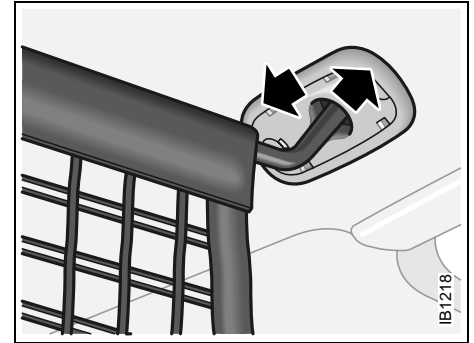
- 1 Remove the rearmost covers from the roof.
- 2 Fasten the attachments at the top of the net to the two attachment points in the roof.
- 3 Secure a lashing eye furthest forward on each of the CargoTracks (see previous page). Attach the hooks on the net to these eyes. Tension the straps.



*Cover over the fixing point for the cargo net*

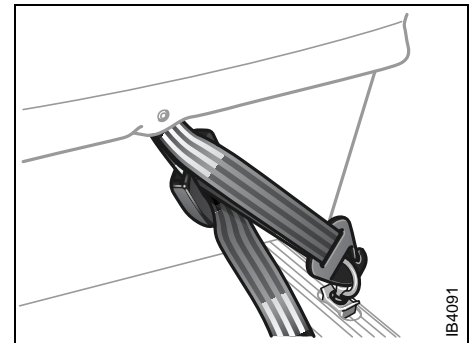
You can also install the cargo net directly behind the front seats when the rear seats are folded.

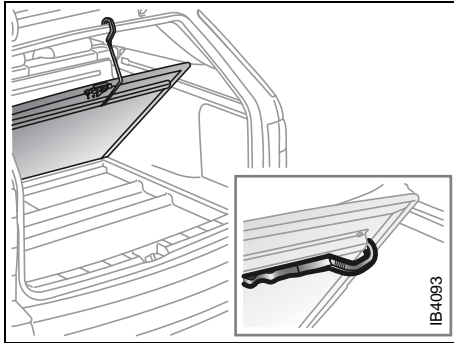
- 1 Remove the front covers from the roof.
- 2 Fasten the attachments at the top of the net to the two attachment points in the roof.
- 3 Wrap each strap around the tube running under the rear edge of each front seat and attach the hook to the eye on the strap.



*Attaching the cargo net to the roof*

*Hook attached to a lashing eye*





### Storage tray \* under luggage compartment floor, 9-5 SportCombi

Secure the luggage compartment floor in the open position using the hook on the underside of the floor. The storage tray must be located under the luggage compartment floor. The cargo net can be stored here when not in use for example.

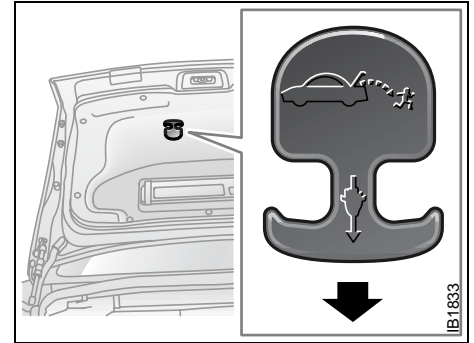
Maximum recommended weight on the storage tray is 22 lbs. (10 kg).

### Trunk Release Handle

There is a glow-in-the-dark trunk release handle located inside the trunk on the latch. This handle will glow following exposure to light. Pull the release handle down to open the trunk from the inside.

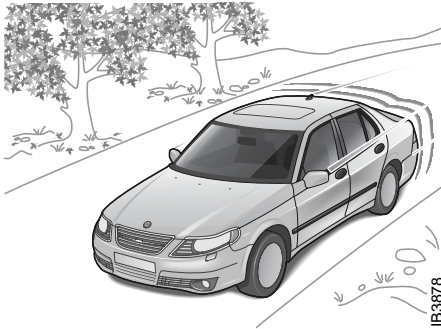
#### NOTICE

The trunk release handle was not designed to be used to tie down the trunk lid or as an anchor point when securing items in the trunk. Improper use of the trunk release could damage it.



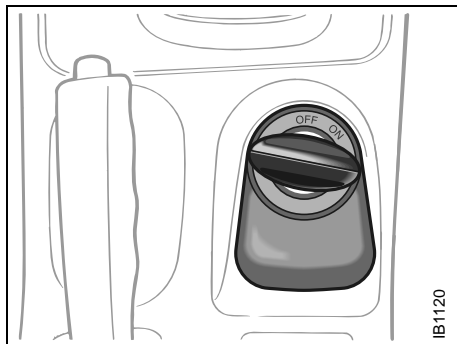
*Trunk Release Handle*

(This page has been left blank.)



Ignition switch _____	142	Driving with a roof rack load _____	181
Starting the engine _____	143	Driving at night _____	183
Important considerations for driving _____	146	Driving with a load _____	183
Refueling _____	148	Driving with a spare wheel fitted _____	185
Engine Break-In Period_	152	Driving with the trunk lid/tailgate open_____	185
Gear changing _____	152	Driving in deep water __	185
Cruise control _____	161	Towing the car _____	185
Braking _____	162	Jump starting _____	188
Electronic Stability Program (ESP) _____	165	Saab Parking Assistance * _____	170
Economical motoring __	172	Parking brake _____	167
Driving in cold weather_	174	Parking _____	168
Driving in hot weather _	175		
Towing a trailer * _____	176		

\* Asterisk means: equipment not fitted in all cars (can depend on model variant, engine variant, market specification, options or accessories).



## Ignition switch

The combined ignition switch and gear-lever lock is located in the center console between the front seats. The ignition key can only be removed when reverse is engaged (automatic transmission: selector in "P" position).

The key fits all the locks on the car. The key number is specified on the small plastic strap that comes with the keys when the car is delivered. Keep a note of the key number in a safe place, as you will need to quote it if ordering a replacement key.

See also page 44.

	<p><b>LOCK position</b></p> <p>Engage reverse and turn the key to LOCK. Automatic transmission: select "P". The gear lever is locked. This is the only position in which the key can be removed. The parking lights, hazard warning lights and interior lighting all work.</p>
	<p><b>OFF position</b></p> <p>Gear lever no longer locked. Certain electrical circuits operational</p>
	<p><b>ON position</b></p> <p>All electrical circuits working. <b>Do not leave the key in the ON position when the engine is not running.</b> Turn the key to OFF to switch off the electrical circuits. In the ON position certain warning and indicator lights come on as a check, and they normally are extinguished after about 3 seconds.</p>
	<p><b>ST (starter) position</b></p> <p>The starter operates when the key is turned to this position. When released, the key will spring back to the ON position. If the engine fails to start, the key must first be turned back to the position between OFF and LOCK before the starter can be operated again.</p> <p>When the starter motor is running, several electrical circuits are disconnected to facilitate starting.</p>

**NOTICE**

Take care not to spill drinks or to drop crumbs over the ignition switch. If dirt or liquid gets into it, the switch may not operate properly.

 **WARNING**

- Always remove the key before leaving the car.
- Always apply the parking brake before removing the ignition key.

**If the car does not start**

If the text

”Key not accepted.

Contact service.”

is shown on the SID, after a failed start attempt, the cause could be a fault in the transmitter in the key, or in the receiver in the ignition lock. The following should be done:

- Turn the key back to the LOCK position.
- Turn the key to ON.
- Press one of the buttons on the remote control (the LED stops blinking).
- Start the engine.

Try another key. If this works, then the fault is in the first key.

We recommend that you contact an authorized Saab dealer for checking and rectification.

**Note:**

Certain electronic items, such as cellular phones, may affect the starting procedure. Be sure that all devices are clear of the key/ignition switch area.

**Starting the engine**
 **WARNING**

- When starting the engine:
  - Sit down in the driver’s seat.
  - Depress the clutch pedal fully. If the gear lever is not in the neutral position, the clutch pedal must be fully depressed or the car will jump forwards or backwards, which may cause a crash.
  - Never start the car from outside the vehicle, e.g. through a wound down window. This could lead to serious personal injury.
- Engage reverse (R) (position P for automatic transmission) to remove the ignition key. The key can only be removed in this gear position.
- Carbon monoxide (CO) is a colorless, odorless, poisonous gas. Be alert to the danger of CO – always open the garage doors before starting the engine in the garage.
- There is also a danger of CO poisoning if the exhaust system is leaking.

- The tail pipe of the exhaust system can become very hot during driving. Bear this in mind when loading and unloading the car.
- Do not rest or sleep in the car when parked with the engine running. There is a risk of depressing the accelerator which could lead to engine damage. There is also the risk that exhaust gases may enter the cabin.

It is possible for air to enter the lubricating system in conjunction with an oil or oil-filter change, or if the car has been stored for some time. This air can cause the hydraulic cam followers to emit a ticking noise, which can persist for up to 15 minutes after starting. Although this is quite normal and does not indicate any malfunction, it is advisable not to exceed 3,000 rpm before the noise has disappeared.

The hydraulic cam lifters are completely service free; the valve clearance is set up at the factory and will not need any subsequent adjustment.

## Starting the engine

Avoid racing the engine or putting a heavy load on it before it has warmed up. Drive away as soon as the oil warning light has been extinguished to enable the engine to attain its normal temperature as quickly as possible.

The engine has an automatic choke and should be started as follows:

### Cars with manual transmission

#### To start the engine the clutch pedal must be fully depressed.

- 1 Depress the clutch pedal fully but do not touch the accelerator.
- 2 Start the engine. Let the ignition key spring back as soon as the engine has started and is running smoothly – at very low temperatures, you may need to run the starter for up to 25 seconds. Wait 20–30 seconds before running the starter again, to give the battery time to recover.

#### Note:

On cars with manual transmission, if the starter fails to engage when the ignition key is turned to the start position, make sure the clutch pedal is full depressed. Mispositioned floor mats or other obstructions under the clutch pedal may affect starting.

Let the engine idle for about 10 seconds. Do not open the throttle wide for at least 2–3 minutes after starting.

### Cars with automatic transmission \*

- 1 The selector lever must be in the P or N position.
- 2 Keep your foot on the brake pedal.
- 3 Start the engine. Let the ignition key spring back as soon as the engine has started and is running smoothly – at very low temperatures, you may need to run the starter for up to 25 seconds. Wait 20–30 seconds before running the starter again, to give the battery time to recover.

Let the engine idle for about 10 seconds. Do not open the throttle wide for at least 2–3 minutes after starting.



## Useful tips on cold climate starting

If the engine has failed to start after several attempts in very cold weather, press and hold the accelerator down to the floor and run the starter for 5–10 seconds. This will prevent the engine being flooded (excessively rich fuel-air mixture).

Now start the engine in the normal way – do not touch the accelerator.

If the engine stalls immediately after starting (e.g. if the clutch was released too quickly), do not touch the accelerator when restarting the engine.

## Limp-home mode


The engine management system has a diagnostic feature that continually checks a number of internal functions.

If, for example, a fault is detected in the throttle valve, the engine management system will go into Limp-home mode. This limits:


- idling control,
- disables the cruise-control system and
- limits the capacity of the A/C compressor.

If the limp-home mode is in operation ("Engine malfunction (CHECK ENGINE)" light on, see below) and the outside temperature is close to or below freezing, you may need to use some throttle on starting (some pressure on the accelerator).

If the diagnostic system has detected a fault in the engine-management system, the "Engine malfunction (CHECK ENGINE)"

light  on the main instrument panel will come on (see page 58), indicating that you should have the car checked as soon as possible by a workshop. We recommend that you contact an authorized Saab dealer.

### NOTICE

If the CHECK ENGINE warning light  starts to flash, ease off the accelerator slightly. If the light does not cease to flash within 5 seconds, stop the car in a suitable place as soon as possible and turn off the engine. The car must be towed to a workshop. We recommend that you contact an authorized Saab dealer.

If the CHECK ENGINE warning light flashes, it indicates that the engine is misfiring which can result in damage to the catalytic converter.

## Important considerations for driving

The engine-management system in the Saab 9-5 is called Saab Trionic T7. The system manages the ignition, fuel injection and turbo boost pressure.

The Trionic T7 system developed by Saab is an intelligent engine-management system designed to achieve optimum drivability under differing driving conditions. The system makes adjustments automatically, for instance, if the car is being driven at altitude (oxygen-deficient air), for different grades of fuel (AON 87–93) and for different load conditions.

### 1 Starting and driving

- Refrain from using full throttle before the engine has warmed up (before needle in mid-range on temperature gauge).
- A safety function prevents the engine from revving faster than 6,000 rpm by limiting the induction air.

### 2 Stopping the engine

- Do not rev the engine immediately before switching it off – stop the engine when it is idling.

### 3 Regulating the boost pressure

- One of the advantages of boost pressure regulation is that the engine can also be run safely on gasoline with a lower octane rating, although not lower

than AON 87. However, engine performance will fall slightly and heavy loading and laboring should be avoided. For optimum performance, use the recommended grade of fuel.

- The maximum boost pressure is adjusted automatically to the knocking or pinging tendency of the engine. Occasional, short-lived knocking when the engine is under a heavy load is perfectly normal; the extent will depend on the grade of fuel in the tank.
- Isolated instances of knocking are more likely to occur with low-octane fuel. This controlled form of knocking, followed by a reduction in the boost pressure, is a sign that the wastegate is functioning and is perfectly safe for the engine.

### NOTICE

- If the engine sounds strange there is a fault in the system. Have the car checked without delay by a workshop. We recommend that you contact an authorized Saab dealer.
- The use of fuel with too low an octane rating can cause serious engine damage.

### WARNING

If the engine is being run with the car on a rolling road or dynamometer, longer than for a standard state emission inspection, to ensure adequate cooling, air must be blown into the engine compartment and under the car at a rate equivalent to the ram-air effect that would be obtained at the corresponding road speed.

## Important considerations with catalytic converters

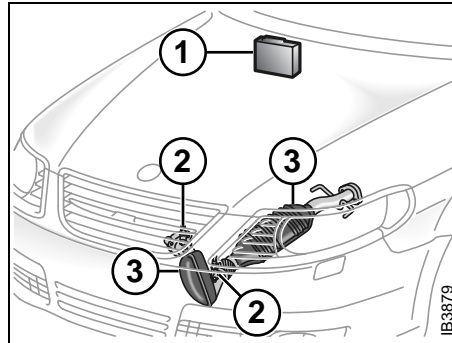
### NOTICE

Use only unleaded gasoline. Leaded gasoline is detrimental to the catalyst and oxygen sensor and will seriously impair the function of the catalytic converter.

The catalytic converter is an emission-control device incorporated in the car's exhaust system. It consists of a metal canister with a honeycomb insert, the cells of which have walls coated in a catalytic layer (mixture of precious metals).

To ensure that the catalytic converter continues to function properly, and also to avoid damage to the converter and its associated components, the following points must be observed:

- Have the car serviced regularly in accordance with the service program. The fuel and ignition systems are particularly important in this context.
- Always be alert to any misfiring of the engine (not running on all cylinders) and any loss of power or performance. At the first sign of a malfunction, reduce speed and take the car to a workshop as soon as possible. We recommend that you contact an authorized Saab dealer.



*Oxygen-sensor-controlled injection system*

- 1 Engine control module
- 2 Oxygen sensor (lambda probe)
- 3 Catalytic converters

- If the engine fails to start (in very cold weather or if the battery is flat), the car can be push started (manual gearbox only) or started using jumper cables to a donor battery. However, as soon as you have started the engine, it is important that it runs on all cylinders. If it is misfiring, allow it to idle for up to five minutes to give it time to settle and run smoothly. If, after this time, the engine still fails to run properly, turn off the engine and get in touch with a workshop for advice. We recommend that you contact an authorized Saab dealer.

- Never park the car on dry grass or other combustible material. The catalytic converter gets very hot and could therefore start a fire.
- Never drive off if the engine is misfiring.
- If you jump start the car when the engine is already up to normal temperature, the engine must start to run on all cylinders. Stop jump-starting if the engine fails to start immediately.

### NOTICE

If the car runs out of fuel, it is possible for air to get into the fuel system. If this happens, the catalytic converter may overheat and be damaged.

Failure to follow these directions could result in the catalytic converter and associated components being damaged, and could represent a breach of the warranty conditions.

## Refueling



### WARNING

If you spill fuel and then something ignites it, you could be badly burned. Fuel can spray out on you if you open the fuel cap too quickly. This spray can happen if your tank is nearly full, and is more likely in hot weather. Open the fuel cap slowly and wait for any “hiss” noise to stop. Then unscrew the cap all the way.

Gasoline fumes are highly explosive. Therefore:

- **never** smoke while refueling
- **never** use gasoline for any purpose other than as engine fuel
- gasoline is extremely flammable and can cause severe burns. No open or exposed flames near gasoline
- **do not** use a mobile phone at the same time as refueling.


### NOTICE

- Do not overfill. Fuel should not come right up the filler pipe as room for expansion is needed for when the temperature rises.
- The use of fuel with too low an octane rating can cause serious engine damage.
- Clean fuel from painted surfaces as soon as possible.

### NOTICE

The engine control module (ECM) monitoring the engine parameters also stores fault codes.

Under certain circumstances, this may cause constant illumination of the “Engine malfunction (CHECK

ENGINE)” lamp , thus indicating a fault that must be checked by your Saab dealer, see page 58.

**NOTE:** always observe the following two measures:

- Make sure that the fuel filler cap is screwed on correctly before the engine is started. Screw on the fuel filler cap until you hear 3 distinct clicks.
- Avoid driving with the fuel low level indicator illuminated. The symbol illuminates when less than approximately 2 gallons (8 litres) of fuel remains in the tank.

## Refueling

### WARNING

If a fire starts while you are refueling, do not remove the nozzle. Shut off the flow of fuel by shutting off the pump or by notifying the station attendant. Leave the area immediately.

- 1 Switch off the engine.
- 2 Open the filler cap, located in the right-hand rear fender.
- 3 Insert the fuel pump nozzle beyond the flange on the filler pipe and let the first mark (a ring, a pimple or the first spring-coil) rest on the flange. Do not withdraw the nozzle while filling is in progress.
- 4 Cease refueling the first time the pump stops, and wait a few seconds after you've finished pumping before you remove the nozzle.

### NOTICE

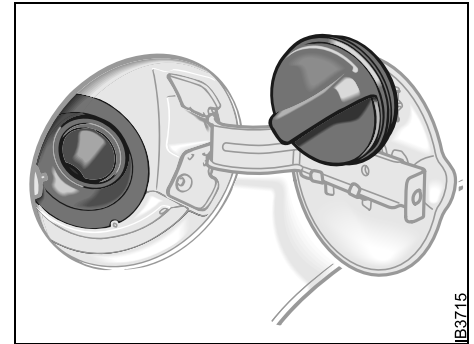
- Fill to maximum filling capacity.
- Stop filling after the first time that the nozzle trips to shut off the flow of fuel.
- Filling capacity can differ between different fuel stations and outside temperature. Fuel tank volume when nozzle trips to shut off, may vary by 0.5 gal. (2 liters).
- Do not fill fuel all the way up the filler pipe. The gasoline must be allowed room for expansion especially during hot weather.

### Filler cap

When you put the filler cap back on, turn it to the right (clockwise) until you hear **three** clicks. Make sure you fully install the cap.

The most effective way to prevent condensation forming in the tank (and thus avoid possible running problems) is to keep the tank well filled.

Before the onset of freezing temperatures in winter, it may be advisable to add gasoline anti-freeze to the fuel a few times to dispel any condensation in the system.



*When refueling, hang the filler cap inside the fuel door*

The fuel door has a built in filler cap holder slot located on the fuel door. Slide the white ring on the cap into the slot.

**Notice:** If you need a new fuel cap, be sure to get the right type. Your dealer can get one for you. If you get the wrong type, it may not fit properly

## Filling a portable fuel container

 **WARNING**

Never fill a portable fuel container while it is in your vehicle. Static electricity discharge from the container can ignite the gasoline vapor. You can be badly burned and your vehicle damaged if this occurs. To help avoid injury to you and others:

- Dispense gasoline only into approved containers.
- Do not fill a container while it is inside a vehicle, in a vehicle's trunk, pickup bed or on any surface other than the ground.
- Bring the fill nozzle in contact with the inside of the fill opening before operating the nozzle. Contact should be maintained until the filling is complete.
- Do not smoke while pumping gasoline.

## Fuel (Gasoline Engine)

### Fuel

Use of the recommended fuel is an important part of the proper maintenance of your vehicle.

For optimum performance Saab recommends:

- **AON 93**

### Gasoline Octane

Use premium unleaded gasoline with a posted octane of 93 or higher for best performance. You may also use regular unleaded gasoline rated at 87 octane or higher, but your vehicle's acceleration may be slightly reduced.

If the octane is less than 87, you may get a heavy knocking noise when you drive. If this occurs, use a gasoline rated at 87 octane or higher as soon as possible. Otherwise, you might damage your engine. A little pinging noise when you accelerate or drive uphill is considered normal. This does not indicate a problem exists or that a higher-octane fuel is necessary. If you are using 87 octane or higher-octane fuel and hear heavy knocking, your engine needs service.

## Gasoline Specifications

It is recommended that gasoline meet specifications which were developed by automobile manufacturers around the world and contained in the World-Wide Fuel Charter which is available from the Alliance of Automobile Manufacturers at [www.autoalliance.org/fuel\\_charter.htm](http://www.autoalliance.org/fuel_charter.htm). Gasoline meeting these specifications could provide improved driveability and emission control system performance compared to other gasoline.

### California Fuel

If your vehicle is certified to meet California Emission Standards (see the underhood emission control label), it is designed to operate on fuels that meet California specifications. If this fuel is not available in states adopting California emissions standards, your vehicle will operate satisfactorily on fuels meeting federal specifications, but emission control system performance may be affected. The malfunction indicator lamp may turn on and your vehicle may fail a smog-check test. See Engine malfunction (CHECK ENGINE) on page 58. If this occurs, return to your authorized Saab dealer for diagnosis. If it is determined that the condition is caused by the type of fuel used, repairs may not be covered by your warranty.

### Additives

To provide cleaner air, all gasolines in the United States are now required to contain additives that will help prevent engine and fuel system deposits from forming, allowing your emission control system to work properly. You should not have to add anything to your fuel. However, some gasolines contain only the minimum amount of additive required to meet U.S. Environmental Protection Agency regulations. Saab recommends that you buy gasolines that are advertised to help keep fuel injectors and intake valves clean. If your vehicle experiences problems due to dirty injectors or valves, try a different brand of gasoline.

Gasolines containing oxygenates, such as ethers and ethanol, and reformulated gasolines may be available in your area to contribute to clean air. Saab recommends that you use these gasolines, particularly if they comply with the specifications described earlier.

**Notice: Your vehicle was not designed for fuel that contains methanol. Do not use fuel containing methanol. It can corrode metal parts in your fuel system and also damage the plastic and rubber parts. That damage would not be covered under your warranty.**

Some gasolines that are not reformulated for low emissions may contain an octane-enhancing additive called methylcyclopentadienyl manganese tricarbonyl (MMT); ask the attendant where you buy gasoline whether the fuel contains MMT. Saab does not recommend the use of such gasolines.

Fuels containing MMT can reduce the life of spark plugs and the performance of the emission control system may be affected. The malfunction indicator lamp may turn on. If this occurs, return to your authorized Saab dealer for service.

### Fuels in Foreign Countries

If you plan on driving in another country outside the United States or Canada, the proper fuel may be hard to find. Never use leaded gasoline or any other fuel not recommended in the previous text on fuel. Costly repairs caused by use of improper fuel would not be covered by your warranty.

To check the fuel availability, ask an auto club, or contact a major oil company that does business in the country where you will be driving.

## Engine Break-In Period

Pistons, bores and bearings need time to obtain uniform, wear-resistant surfaces.

If a new engine is driven too hard, this gradual process of bedding-in will not be possible and the life of the engine will be shortened.

During the first 1,200 miles (2,000 km), do not exceed 5,000 rpm.

In addition, refrain from driving the car at full throttle, other than for brief instances, during the first 1,800 miles (3,000 km).

## Wearing in new brake pads

New brake pads take time to bed in, about 90 miles (150 km) if the car is driven largely under stop-and-go conditions or about 300 miles (500 km) of highway driving.

To extend the useful life of the pads, avoid hard braking as much as possible during this period.

## Gear changing

### Manual transmission

**To start the engine the clutch pedal must be fully depressed.**

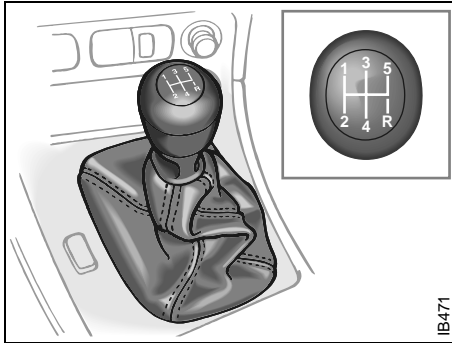
The gear positions are marked on the gear lever. Before reverse (R) can be engaged, you must lift the ring underneath the gear-lever knob.

To change gear, fully depress the clutch pedal and then release it smoothly. It is inadvisable to drive with your hand resting on the gear lever, as this can increase the wear on the transmission.

When changing down from 5th to 4th gear, ease the gear lever straight back, without applying any lateral pressure. This will prevent 2nd gear being engaged by mistake, which can result in overrevving and possible damage to the engine.

Before engaging reverse, wait till the car is at a standstill, release the accelerator and fully depress the clutch. From neutral, press the gear lever firmly to the right before easing it back into reverse.





IB471

### NOTICE

When the reverse gear is to be engaged the car must be at a standstill with the accelerator fully released. Lift the reverse lock-out collar and push the gear lever firmly to the right in neutral before easing it into reverse.

### Towing

Towing of cars with manual transmission, see page 185.

## Automatic transmission \*

### ⚠ WARNING

- Make it a habit to keep your foot on the brake when selecting a drive position, to prevent the car from creeping forward (or backward if reverse is selected).
- The car must be at a standstill before P, R or N is selected. You have to have your foot on the brake pedal to move the lever out of P. If the car is still moving when a drive position is subsequently selected, this could cause a crash or damage the automatic transmission.
- Never park the car with the selector lever in a drive position, even if the parking brake is on.
- If you want to leave the car with the engine running, move the selector lever to P or N and apply the parking brake.



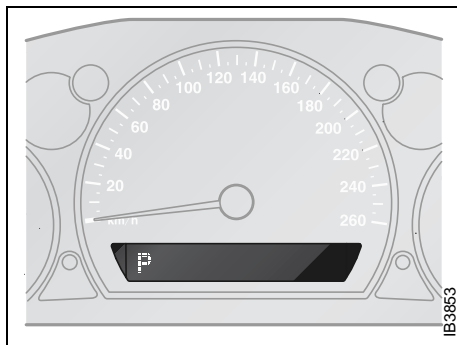
IB3335

*Selector lever*

The electronic control module for the automatic transmission receives information on engine torque and road speed, and also controls the hydraulic pressure in the transmission to ensure that gear changing is as smooth as possible.

The position of the selector lever is shown by the symbols adjacent to the lever and also by an indicator on the main instrument panel. If manual mode (M) is selected, the current gear is also displayed on the main instrument panel.

The ignition key can only be removed when the selector lever is in the P position.



*Selector-lever indicator on main instrument panel*

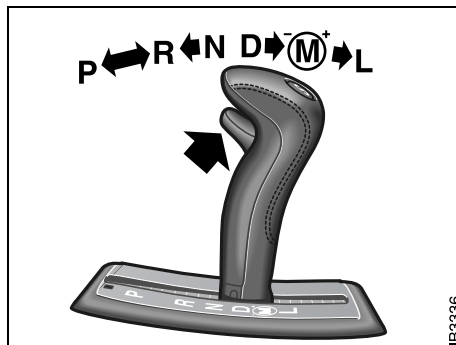
When the car is stationary, the engine must be at idling speed when the selector lever is moved.

**You must have your foot on the brake pedal to move the lever out of park.**

If the accelerator is depressed while the lever is moved, this will result in abnormal wear in the transmission.

**NOTICE**

After selecting a drive position, pause briefly to allow the gear to engage (the car starts to pull a little) before you accelerate.



*Detent positions for selector movement*

The detent button on the selector lever has to be pressed before the selector can be moved between certain positions.

Three modes for the automatic transmission can be selected: Normal, Manual and Sport.

**Normal mode**

The Normal mode, which provides the best fuel economy, is the default setting when the engine is started.

**Manual mode (Sentronic): see page 158.**

**Sport mode**

When the Sport mode is selected, the throttle angle is altered to provide more power at the same throttle setting. The transmission also changes up later than in Normal mode to provide higher performance. In this mode, the SPORT indicator will appear on the main instrument panel (see page 160).

**Adaptive gear-change pattern**

Adaptive gear-change pattern is a transmission function in the Normal and Sport modes which matches gear changing to current driving conditions. The transmission control module senses the load on the engine and temperature of the transmission. A suitable gear change pattern is then selected automatically to avoid unnecessary gear changes and undesired temperature increases in the transmission.

## Lock-up function

The automatic transmission has a lock-up function, which can render the torque converter inoperative in 3rd, 4th and 5th gears, thus reducing the engine speed and fuel consumption.

When the lock-up function comes into operation, it may give the impression of an overdrive being engaged.

## Kick-down

When the accelerator is pressed down hard, a change-down to the next gear will be effected to provide maximum acceleration, e.g. for overtaking.

Following this, the next higher gear will be selected at the optimum engine speed for acceleration or, if you ease off the accelerator, before reaching this.

## Park Brake Shift Lock

The transmission has a security function known as Park Brake Shift Lock. To move the gear selector out of the P position, the brake pedal must be depressed at the same time as the gear selector catch (detent) is pressed in.

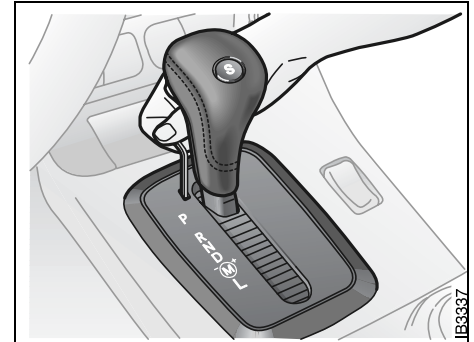
### Shift Lock override

#### NOTICE

Due to electrical problems it may not be possible to move the selector out of the park position, even if the ignition is ON. If for some reason the selector has to be moved out of the park position (i.e. to tow the car a short distance) do as described below.

Check fuse No. 1 (see page 221). If the problem was cured by changing the fuse or battery, you do not have to contact a workshop.

If the fuse blows again as soon as the Shift Lock feature is activated you should contact a workshop. We recommend that you contact an authorized Saab dealer.



If the fuse is OK, check the battery regarding the voltage.

- 1 Apply the parking brake
- 2 Make sure the key is in position ON
- 3 Use a small tool such as a screwdriver and push the lever (see picture) downwards so that the detent button can be pressed approx. 10 mm
- 4 Move the selector out of position P to N
- 5 Remove the tool
- 6 Release the parking brake if the car is to be moved immediately; otherwise keep it applied.



### Automatic transmission ❄, fault indicator

If "Automatic transmission ❄, fault indicator" light appears on the main instrument panel, the system has detected a fault in the automatic transmission or its control module (see page 62).

This also means that the Limp-home mode has been selected, to guard against further damage being done to the transmission. In this mode, the automatic transmission starts in 5th gear, and gear changes (if necessary) will have to be made manually.

Stop the car in a safe place. Switch off then restart the engine. If the fault is intermittent, the transmission will operate as normal despite the fault indicator being on. Have the car checked at a workshop. We recommend that you contact an authorized Saab dealer.

It is not possible to select the SPORT or Sentronic mode when the Limp-home mode is active.

Gear changes must be made manually.

The following gears will be engaged in the respective selector positions when the automatic transmission is in Limp-home mode:

Position	R	D	M	L
Gear	Reverse	5th	5th	2nd

### NOTICE

If the control module has actuated the Limp-home function for the automatic transmission, the car will remain in 5th gear when D is selected, making it very sluggish.

Select position L to prevent unnecessary wear on the transmission. The transmission then starts in 2nd gear. Once the car is moving you can select position D.

When the indicator light is on, the car must not be driven with a caravan or trailer attached.

### Overheated transmission fluid

If the automatic-transmission fluid should overheat, the following message will appear on the SID:

"Gearbox too hot.

Make a safe stop."

In this event, stop the car in a suitable place, switch off the engine and open the hood.

Wait for several minutes then turn on the ignition to check that the message has gone out. When driving subsequent to the transmission fluid overheating, select a gear in which the engine speed is about 3,000 rpm. Overheating of the automatic-transmission fluid can occur when the car is towing a heavy load, such as a camping trailer in hilly country. High ambient temperatures can also increase the temperature of the transmission fluid or the oil cooler may be faulty. Contact a workshop. We recommend that you contact an authorized Saab dealer (see also page 176).

## Driving on hilly roads with a heavy load

The transmission fluid can overheat when the gearbox is strained, for example, when driving with a trailer on hilly roads. To avoid the transmission fluid overheating, always drive in Normal mode. The adaptive gear change patterns are then active.

High air temperatures or a faulty oil cooler can also cause the transmission fluid to overheat. Overheating reduces the service life of the fluid. Contact an authorized Saab dealer (see also page 176).

## Towing

Towing of cars with automatic transmission, see page 185.

## Descending hills





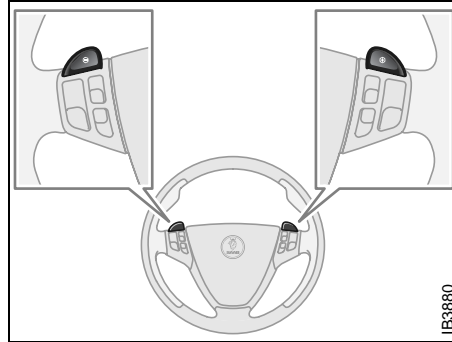
Remember to use engine-braking (selector position D or L) to spare the brakes when you are driving on a long or steep downhill slope.

Brake failure can result from overheated brakes!

If the speed of the car increases while descending a steep hill, despite the accelerator being released, the control module will change down a gear when you brake. If you desire more powerful engine braking, manually select a lower gear.

### Sentronic, manual mode

Move the selector lever to the M position. Select a higher gear by pushing the right-hand paddle  on the steering wheel. Select a lower gear by pushing the left-hand paddle  on the steering wheel. An example of when you may wish to make manual gear changes is when overtaking, to enable you to remain in a low gear for an extended period of time. Changes from 3rd to 4th and from 4th to 5th can be made when the engine speed is above roughly 2,000 rpm. If you select a gear that is judged too high by the system, the selected gear position will be shown briefly on the main instrument panel and then the gear that is actually engaged.



*Paddles on the steering wheel for changing gear manually*



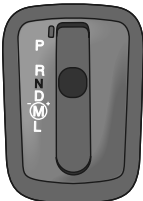
If the road surface is slippery, you may wish to pull off in 2nd or 3rd to reduce the risk of wheel spin. When descending hills you should select a low gear to increase the braking effect of the engine and thus spare the brakes. Manual gear selections are shown on the main instrument panel. The selector position and the current gear are displayed.

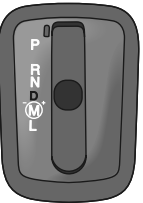

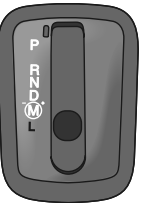
When the selector lever is in the M position, as opposed to the D position, engines are much more responsive to changes in accelerator position. The accelerator has a different feel.

When in manual mode, kick-down operates for 4th and 5th gears (below 2,000 rpm). Kick-down cannot be activated in 1st, 2nd or 3rd gears.

For optimum performance, gear changes should be made before reaching 6,000 rpm. To avoid damaging the engine and transmission, the transmission will shift up a gear if the engine is in danger of overrevving. You may feel a slight jolt before this gear change is effected.

### Selector positions

	<p><b>P</b> <b>To shift out of the P position you must depress the brake pedal and the ignition must be ON.</b> The parking position (P) must only be selected when the car is at a complete standstill. The selector lever is locked and the transmission is mechanically immobilized. Always apply the parking brake after parking the car. The engine can be started. The key can be removed.</p>
	<p><b>R</b> The reverse (R) position must only be selected when the car is at a complete standstill. The detent-release button must be pressed before the selector lever can be moved to R. Wait until reverse gear has engaged (car starts to creep) before touching the accelerator.</p>
	<p><b>N</b> In the Neutral position (N), the transmission is disengaged from the engine. The engine can be started, but first ensure that the parking brake is on, to prevent the car from moving off unexpectedly. To prevent the engine and transmission from becoming hotter than necessary, select N for stops other than brief ones, e.g. if stuck in a traffic jam. The normal drive position (D) is recommended for waiting at traffic lights.</p>

	<p><b>D</b> The Drive position (D) is the position for normal motoring. Gear changes between 1st and 5th will take place automatically, the timing of which is determined by the throttle (accelerator) position and the speed of the car. After moving the selector lever to D, pause to give the gear time to engage (car starts to pull).</p>
	<p><b>M</b> Move the selector lever from position D to M to allow you to change gear manually. Refer to page 158.</p>
	<p><b>L</b> Select position L if you wish to drive in 1st gear. No upchanges will be made if you pull off in position L. If you move the selector lever from position D or M to L at a high vehicle speed, the transmission will automatically shift down through 4th, 3rd and 2nd gears to 1st gear, depending on the car's speed. Use this position for descending steep hills if the car is heavily loaded to spare the brakes.</p>

If you move the selector lever from D to L, down shifts will follow a set pattern to avoid damaging the engine or transmission.

Manual gear-changing is not recommended on slippery roads.


If one of the drive wheels spins excessively, the engine torque will be reduced to avoid damaging the transmission.

## Adaptive gear-change patterns

Adaptive gear-change patterns are selected automatically depending on the engine load and the present temperature of the transmission. The function is available in Normal and Sport modes.

The changes occur at a higher engine speed and the car remains in the same gear for longer, if the transmission control module senses that the load has not decreased. These gear-change patterns prevent unnecessary changing up and down, when for example driving up or down long slopes with a trailer or caravan, and to prevent overheating the transmission oil. The adaptive gear-change function is also selected automatically when the transmission oil becomes too hot, to protect the transmission itself from damage and to lower the oil temperature.

The adaptive gear-change pattern function is deselected when:

- The engine is switched off.
- The load is reduced so much that the function is no longer required.
- "Automatic transmission ✱, fault indicator"  appears on main instrument panel, see page 156.

## SPORT modes




To select Sport mode, press the "S" button on the selector lever when the selector lever is in position N or D.

In this mode, gear changes will take place at higher engine speeds than in Normal mode, in other words, the transmission will change up later and change down earlier for the same throttle (accelerator) position.

The Sport mode will be deselected if:

- The S button is pressed.
- The selector lever is moved to position P,R, M or L.
- The engine is switched off.
- "Automatic transmission ✱, fault indicator"

 appears on main instrument panel, see page 156.



## Cruise control

### WARNING

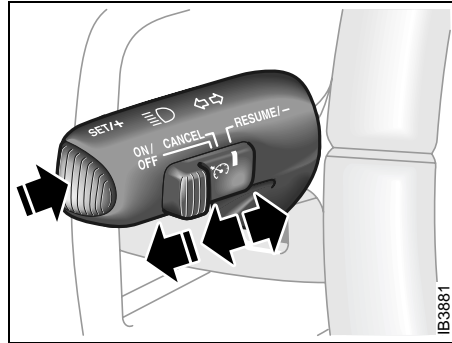
- Do not use the Cruise control system on wet or icy roads, in dense traffic or on winding roads.
- Set the control to OFF when you do not want to use the system, to prevent the system being activated inadvertently.

**For safety reasons (brake system function) the brakes must be applied once, when the engine has started, before the cruise control system can be activated.**

The system is operated by means of the controls on the stalk switch:

- ON/OFF (switch on/off).
- RESUME/- (Resume preset speed).
- SET/+ (to set the desired speed).
- CANCEL (Cancel operation of system, e.g. to reduce speed temporarily).

When the system is ON, the CRUISE indicator light will appear on the main instrument panel and will be extinguished when the system is switched OFF. If CANCEL is selected, CRUISE will flash once.



*Cruise-control switches*

### To set the desired speed

Move the switch to ON. Accelerate to the desired speed (minimum speed: 25 mph (40 km/h)) and press SET/+.

### To increase the preset speed

Accelerate to the desired speed and press SET/+.

You can also increase the speed of the car using the SET/+ button. Press it once to increase the speed by 1 mph (1.6 km/h) or hold it in and release when the desired speed is reached.

### Temporary increase in speed

Press the accelerator to override the preset speed, e.g. for overtaking.

When you release the accelerator, the system will revert to the preset speed.

### To cancel temporarily

Move the control stalk to CANCEL (spring-loaded position before OFF position). This will disengage the system but the preset speed will be retained in the system memory. (The memory is deleted when the engine is switched off.)

### To re-engage the system

To revert to the preset speed, slide the switch to RESUME/-. This will only operate when the car's speed is above 25 mph (40 km/h).

### **To reduce the preset speed**

The cruise control system will always disengage automatically the moment that either the brake pedal or the clutch pedal is depressed.

It is also possible to reduce the speed by means of the RESUME/– button.

Sliding the button to RESUME/– once will reduce the speed by 1 mph (1.6 km/h).

Holding the button in the RESUME/– position will effect a gradual reduction in speed until the button is released.

### **Disengaging the system**

The system will be disengaged:

- When the brake or clutch pedal is depressed.
- When the switch is moved to CANCEL.
- When the switch is moved to OFF.
- When the engine is switched off.
- When the selector lever is moved to position N (cars with automatic transmission).
- When the ESP system is operative for more than 1 second.

### **Braking**

To avoid the brakes becoming overheated, (e.g. when negotiating long descents with a drop of several hundred feet), select a low gear to use the braking effect of the engine. If the car has automatic transmission, move the selector lever to position D or L.

When driving fast, you can help to prolong the life of the brakes by thinking ahead and braking harder for short periods, rather than braking more moderately over long stretches.

### **Brake pad wear indicators**

The outboard brake pads on the front wheels incorporate pad-wear indicators. When the lining is down to 3 mm, the pad will produce a screeching, squealing or scraping noise when the brakes are applied. New pads should be fitted without delay.

**Brake pads should only be replaced by a workshop. We recommend that you contact an authorized Saab dealer.**

 **WARNING**

- It is prudent to try your brakes from time to time, especially when driving in heavy rain, through water collected on the road, in snow, on a wet road surface or in salty slush. In such conditions, the brakes may take longer than normal to take effect. To rectify this, touch the brake pedal periodically to dry the brakes out.
- The same applies after the car has been washed or when the weather is very humid.
- Avoid parking the car with wet brakes. Before parking, and if the traffic conditions allow, brake quite heavily so that the brake discs and pads warm up and dry.
- The brakes are power assisted and it should be kept in mind that the servo unit only provides the power assistance when the engine is running.
- The brake pressure required when the engine is off, (e.g. when the car is being towed) is roughly four times the normal pedal force required. The pedal also feels hard and unresponsive.

## ABS brakes

 **WARNING**

- The additional safety afforded by the ABS system is not designed to allow drivers to drive faster but to make normal driving safer.
- To stop as quickly as possible, without loss of directional stability, whether the road surface is dry, wet or slippery, **press the brake pedal down hard without letting up (do not pump the pedal), declutching simultaneously, and steer the car to safety.**

ABS (antilock braking system) modulates the brake pressure to the respective wheels. Wheel sensors detect if a wheel is about to lock, and the control module reduces the pressure to that wheel and then increases it once more until the tendency is detected again.

The brake system is equipped with an Electronic Brake-force Distribution device (EBD), which distributes the brake pressure between the front and rear wheels, in such a way as to achieve optimum braking performance irrespective of the car's speed and load.

The ABS system has a built-in diagnostic function which will switch on the Anti-lock brake warning light if a fault is detected in the system (see page 60).

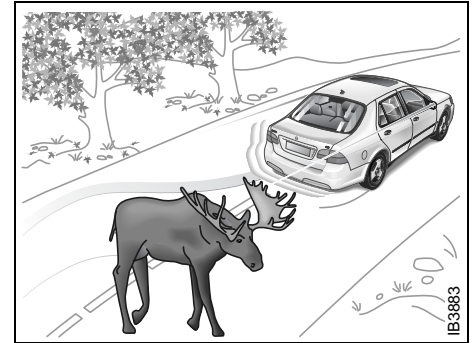
The ABS system will not reduce the braking distance on loose gravel or on snow or ice but, because the wheels cannot lock up, some steering control is retained.

When the ABS system is working, i.e. modulation of the brake pressure is in progress, the brake pedal will pulsate and a ticking noise will be heard. All this is perfectly normal.

Press the pedal **down hard** (you cannot press too hard) and steer the car to safety.



*Braking with ABS brakes.  
When the system is operating, the brake pedal will pulsate gently and the system will make a ticking noise.*



*Braking with ABS – evasive steering*

**Do not release the brake pedal before the car has come to a halt or the danger has passed!**

If the road is slippery, the ABS system will operate even when only light pressure is applied to the pedal. This means that you can brake gently to test the condition of the road and adapt your driving accordingly.

It is well worth practicing the use of ABS brakes on a skid pad or other suitable facility.

## Electronic Stability Program (ESP)

### WARNING

When driving normally, ESP will help to improve the stability of the car. This does not mean that car can be driven faster. The same care and prudence as normally applied should be displayed on cornering and when driving on slippery roads.

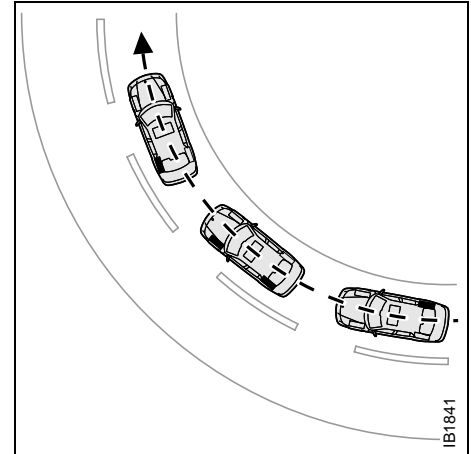
The Electronic Stability Program employs both the antilock braking system (ABS) and the traction control system (TCS). It is a system that helps the driver to stabilize the car in unusual circumstances that would otherwise be more difficult to handle.

### How the ESP system works

The Electronic Stability Program can help to prevent the car from skidding by braking one or several wheels independently of the driver. The engine output is then also reduced to prevent the driving wheels from spinning. The car has sensors that measure wheel speed, yaw acceleration, lateral acceleration, steering wheel position and braking pressure. The values provided by these sensors are used to calculate the actual direction of the car. If this direction does not agree with that intended by the driver, calculated from the steering wheel position, the ESP is engaged.


ESP improves the driver's chances of retaining control over the car in critical situations.

To ensure that the system works as designed, the dimensions of all four tires must be the same.




*Increased stability with ESP.  
The system applies the brakes to the wheels as shown in order to reduce the likelihood of the car skidding*

## ESP indicator light

The  indicator light on the main instrument comes on for a short period of time when the ESP system is operative.


Operation of the ESP indicates reduced cohesion between the tires and the road, and that extra care should be taken by the driver.

## ESP OFF

The  light on the main instrument comes on if:

- A fault has been detected and the system has therefore been switched off.
- The system has been switched off manually.
- When the ignition key is turned to the ON position, the lamp is lit for about four seconds while the system undergoes a self-test.

## Turning ESP off

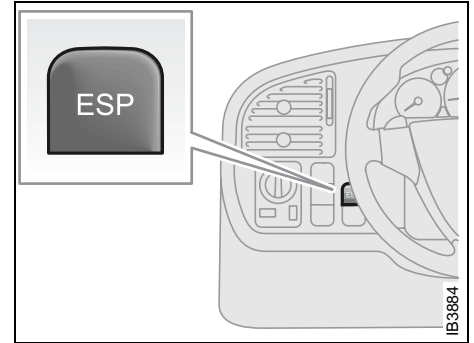
The system can be turned off manually with the ESP button, whereupon the  light on the main instrument panel will come on. The ESP system cannot be switched off if the car is travelling faster than 35 mph (60 km/h).

The ESP is always operative during braking, even if it has been switched off manually.

### NOTICE

Suspension modifications, such as changing the type of wheels, dampers or springs, can affect the function of the ESP system.

Always consult a workshop before changing any suspension components. We recommend that you contact an authorized Saab dealer.




## Parking brake

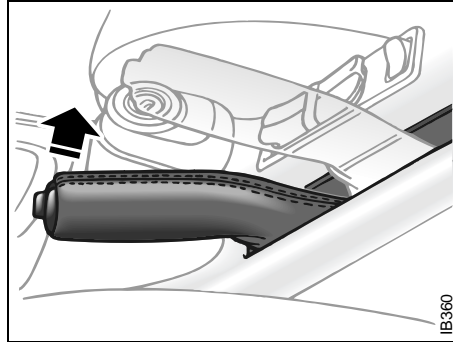
### WARNING

- **Always** apply the parking brake when you park the car.
- **Always** apply the parking brake before removing the ignition key.
- Do not use the parking brake while driving.

The parking brake is situated between the front seats and acts on the rear wheels.

When the parking brake is on, the indicator

light  on the main instrument panel will be on. To release the parking brake, lift the lever slightly, press the release button and release the lever by pushing down on it.



## Parking



### WARNING

- Do not leave children or pets unattended in the car. In warm, sunny weather, the temperature inside the car can reach 160–180°F (70–80°C).
- Park where the vehicle will not create an obstruction or a hazard to other road users.
- Do not park on dry grass or other combustible material. The catalytic converter gets very hot and could start a fire.
- Apply the parking brake.
- Shift to Reverse for manual transmission (automatic transmission: move selector lever to P (Park)), and remove the ignition key. Lock the car.

### NOTICE

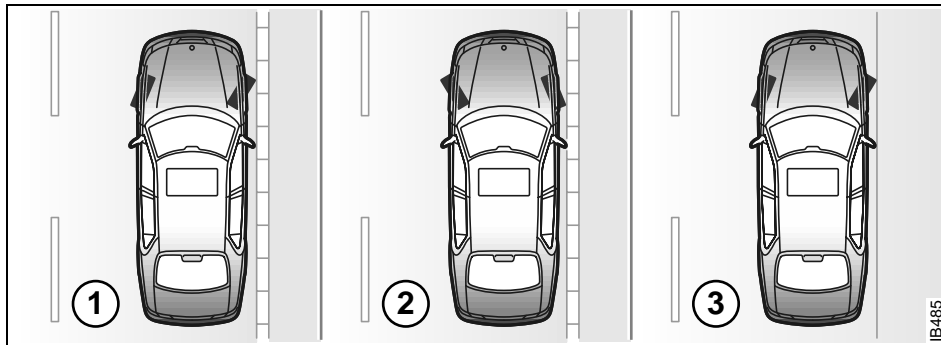
Empty the car yourself and bear in mind:

- Never leave a mobile phone, camera, computer or similar object visible in your car.
- Clothing, packages and bags attract thieves.
- Do not leave small objects such as CDs, sunglasses and coins visible.
- If possible, park in a well-lit, conspicuous parking space.
- Thieves strike whenever and wherever they are given the opportunity.

## Parking on a hill

When parking on a steep hill, turn the front wheels so that they will be blocked by the curb if the car should move.





### 1 Pointing downhill and against the curb

– Turn the wheels into the curb and edge the car forward until the wheels touch the curb.

### 2 Pointing uphill and against the curb

– Turn the wheels away from the curb and edge the car back until the wheels touch the curb.

### 3 Pointing uphill or downhill – no curb

– Turn the wheels towards the edge of the road. If the car should start rolling, it will not run into the road.

## Long-term parking

If the car is not going to be used for some time, e.g. 3–4 months, the following steps are recommended:

- Run the engine to normal temperature before long-term parking.
- Drain the washer-fluid reservoir and hoses.
- Wash and wax the car. Clean the rubber seals on the hood, luggage compartment

lid and doors, and lubricate them with glycerol (glycerin).

- After washing the car, dry the brake discs by taking the car out on the road and applying the brakes a few times.
- Fill the fuel tank with fuel to prevent condensation forming in it.
- Top up the coolant and check the anti-freeze before the onset of winter.
- Park the car in a dry, covered and well-ventilated building. Leave the parking brake OFF!

- Disconnect the negative (–) battery lead. If frost is likely to occur during the long-term parking, remove the battery and store it away from the frost.
- Ideally, the car should be put up on blocks, with the wheels off the ground. If this is not possible, inflate the tires to about 43 psi (300 kPa).
- Leave all the windows open a crack and cover the car with a fabric tarpaulin – not one made of plastic.

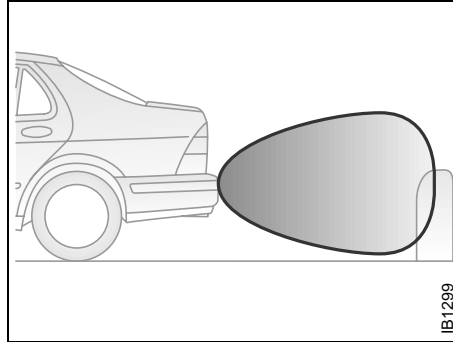
## Saab Parking Assistance ✱

 **WARNING**

Responsibility **always** lies with the driver when reversing.

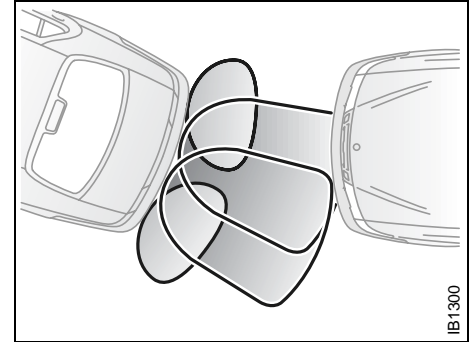
- Saab Parking Assistance can facilitate reversing at low speeds, such as when reverse parking.
- Bear in mind that small and/or narrow objects cannot always be detected by the system.

The parking aid system facilitates parking and reversing. There are four sensors in the rear bumper that detect objects up to 6 feet (1.8 metres) behind the car.



*Area monitored by the sensors seen from the side*

The system uses four sensors in the rear bumper. These emit ultrasound signals that bounce back to the sensors off any objects behind the car. The system, however, cannot always detect small or narrow objects or objects that do not reflect ultrasound back towards the car, such as pipes, or the corner of a house or rectangular post.



*Area monitored by the sensors seen from above*

The system is activated automatically when reverse is engaged or selected. When the sensors detect an object within the monitored area, the SID will display the text "PARK ASSIST" and pulses of sound (- - - -) will be heard. The frequency of the pulses increases as the car comes closer to the object.

**When the distance to the object is less than 12 in. (30 cm), a continuous tone will be heard.**

**NOTICE**

Reverse slowly so that you have time to stop the car when the continuous tone is heard at approx. 12 in. (30 cm).

When an object is approximately 3 feet (90 cm) from the car, the sound pulses change character markedly. A distance of about 3 feet (90 cm) is suitable if you wish to load or unload the luggage compartment.

If the distance between an object and the corner sensors does not change for three seconds, e.g. if you are reversing alongside a wall, the system will switch to monitoring straight back. The system indicates if the distance to the wall decreases again.

The system can be disengaged for when driving with a trailer. Press and hold the CLEAR button on the SID when the display shows "PARK ASSIST", until the display shows "PARK ASSIST OFF". The system is re-engaged in the same way. The system is also always activated when the ignition key is turned to ON.

Pressing a SID button briefly will not disengage the system, the display will simply show the previously selected function.

**NOTICE**

To function well, the sensors must be kept clean. Ice snow and dirt can affect their sensitivity.

Do not spray the sensors or closer than 8 in. (20 cm) to the sensors with a pressure washer, as this could damage them.

Ice, snow and dirt can affect the sensitivity of the sensors. In such cases a continuous tone will sound warning the driver that the system cannot measure the distance to an object. You can turn the system off by pressing and holding the CLEAR button for 1.5 seconds.

If the text "PARK ASSIST FAILURE" is displayed on the SID, have the system checked by a workshop. We recommend that you contact an authorized Saab dealer.

## Economical motoring

### Factors affecting fuel consumption

Fuel consumption is greatly affected by the general driving conditions, the way in which the car is driven and at what speeds, the weather, the state of the road, the condition of the car, etc.

### Breaking-in

Fuel consumption may be somewhat higher during the break-in period (the first 3,000–4,000 miles (5,000–7,000 km) than stated.

### Weather conditions

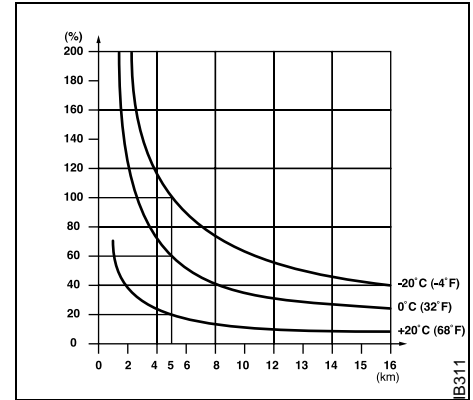
Fuel consumption can be as much as 10 % lower in summer than in winter. The higher consumption in cold weather is explained by the longer time it takes for the engine to reach normal operating temperature, and for the transmission and wheel bearings to warm up. Fuel economy is also affected by the distance driven: short journeys of 3–5 miles (5–8 km) do not give the engine enough time to reach normal temperature. Strong winds can also affect fuel consumption.

How to read the graph above:

If fuel consumption with the engine at normal temperature is 28 mpg (10l/100 km), the actual fuel consumption 3 miles (5 km) after the engine has started from cold will be:

- 23.5 mpg (12l/100 km) at outside temp. of 68°F (20°C) (increase of 20 %).
- 17.7 mpg (16l/100 km) at outside temp. of 32°F (0°C) (increase of 60 %).
- 14 mpg (20l/100 km) at outside temp. of –4°F (–20°C) (increase of 100 %).

As can be seen, both the distance travelled by the car and the outside temperature have a major impact on fuel consumption after the engine has started from cold. Thus, if the car is mainly used for short journeys of 3–5 miles (5–8 km), the fuel consumption will be 60–80 % higher than normal.



*Percentage increase in fuel consumption of engine starting from cold compared to engine at normal temperature*

## Driving technique

- To obtain the best running economy, not only regarding fuel consumption but general wear also, regular service is required.
- High speed, unnecessary acceleration, heavy braking and much low gear work all gives rise to higher fuel consumption.
- Frequent gear changing in traffic, starting in cold weather, the use of studded tires and roof racks, and towing a trailer all increase fuel consumption.
- Do not run the engine when the car is stationary. If idling, it will take much longer before the engine becomes hot. Engine wear is greatest during this warming-up phase. Therefore drive away as soon as possible after the engine is started and avoid high revving.

- Driving in a low gear results in higher fuel consumption than in a high gear because of the higher engine speed for a given road speed. Always change up to a higher gear as soon as traffic conditions allow and use the highest gear as much as possible.
- Check the air pressure in the tires once a month. Incorrect pressures increase tire wear. It is better to have slightly higher pressure than lower.
- Check fuel consumption regularly. Increased consumption can indicate that something is wrong and that the car needs to be checked by a workshop. We recommend that you contact an authorized Saab dealer.

Practical trials on the roads have demonstrated that substantial savings in fuel consumption can be made if the above advice is heeded.

## Road conditions

Wet roads increase fuel consumption, as do unpaved roads and driving in hilly country (the amount of fuel saved driving downhill is less than the additional amount required to climb the hill).



### WARNING

Never switch the engine off while driving as the effect of the brakes and power steering will be greatly reduced.

## Engine block heater \*

The following are just some of the benefits to the car and the environment of using an engine block heater:

- Lower fuel consumption.
- Exhaust emissions substantially reduced over short runs.
- Reduced wear on the engine.
- Inside of car warms up faster.

The engine heater is effective at outside temperatures up to 58–68°F (+15–20°C). The warmer it is outside, the shorter the time the engine heater needs to be connected. Longer than 1.5 hours is unnecessary.

If the car is equipped with a removable, electrical cabin heater that is not in use, this should be stored in the luggage compartment.

## Driving in cold weather

Before starting a journey in cold weather you should check the following:

- That the wiper blades have not become frozen to the windshield/glass.
- Brush any snow away from the air intake for the heater system (opening between hood and windshield).
- It may be advisable to lubricate the door-lock cylinder (use molybdenum disulphide, MoS<sub>2</sub>) to prevent its freezing. If the lock has frozen, take care not to break the key (or use the remote control) – heat it first or spray it with de-icer.
- Periodically during the winter, add gasoline anti-freeze to the fuel to dispel any condensation in the fuel tank which could freeze and cause problems in the system. Keep the tank well filled to reduce the risk of condensation forming.  
If the car is parked outside in freezing weather, fuel additives (gasoline anti-freeze) will not do any good as it cannot remove water that has already frozen. Park the car in a warm place so that any ice that may have built up melts, then add gasoline anti-freeze when filling up the tank. Condensation is caused by changes in the outdoor temperature or by the car being parked alternately in a garage and outside.
- It is particularly important when the roads are slippery that the brakes and tires be in good condition.

- Check the anti-freeze in the engine coolant, see page 198.

The car's trip computer will warn you when there is a risk of slippery conditions. For further information on this function, see page 68.

The car is equipped with tires designed to provide optimum grip on both wet and dry roads, although this has been achieved at the expense of somewhat reduced grip on snow and ice. For regular driving on snow and ice, we therefore recommend that winter (snow) tires be fitted.

Winter (snow) tires, particularly studded tires (where use is legally permitted), generally make driving safer on snow and ice.

**Acquaint yourself with the legal provisions governing the use of different types of winter tires and snow chains. Studded tires are not allowed in some countries.**

If winter tires are fitted, the same type must be fitted on all wheels. Your Saab dealer will be pleased to advise you on the best tires for your car.

Remember that tires age. It may therefore be necessary to change them before they reach the legal wear limit, as they gradually lose their friction properties.

The best response if the car gets into a front-wheel skid is to freewheel (manual gearbox only), i.e. disengage the clutch (so that the wheels are neither driven or retarded by the engine).

If the car has automatic transmission, ease up on the accelerator and steer carefully in the desired direction.

In a rear-wheel skid, steer in the same direction that the rear of the car is moving.

## Tire chains ❄️

If you want to fit tire chains (where legally permitted) they should only be fitted to the tires recommended under "Specifications" (see page 268).

Consult your Saab dealer for details of approved tire chains.



### WARNING

- Do not exceed 30 mph (50 km/h) when tire chains are fitted.
- Tire chains can reduce the directional stability of the car.
- Tire chains must not be used on the rear wheels.

### NOTICE

- Check the links frequently for wear.
- Check that the chains do not contact the wheel-arch liner at full lock.
- See section "Specifications", page 268, for information on allowable wheel dimensions for the fitting of tire chains.

## Driving in hot weather

- Always check the coolant level before starting a journey. The level should be just below the MAX mark.
- At the end of a journey, if the engine has worked hard, allow it to idle for two or three minutes before switching it off.

If the needle on the temperature gauge enters the red zone:

- 1 Bring the car to a standstill but leave the engine running. Do **not** remove the cap on the expansion tank even if the tank is empty. If the needle on the temperature gauge continues to rise while the engine is idling, switch off the engine.

2 Wait until the needle has dropped back to indicate normal temperature (roughly midway, in the white zone) before stopping the engine. If the coolant needs topping up, unscrew the cap on expansion tank **carefully**.

Top up, as necessary, ideally with a 50/50 mixture of Saab-approved coolant and water. If only water is available, use that, but remember to have the coolant mixture checked as soon as possible.

 **WARNING**

- Exercise care when opening the hood if the engine is overheated. Never remove the expansion tank cap completely when the engine is hot.
- The cooling system is pressurized - hot coolant and vapor can escape. These can cause injury to your eyes and burns. Open the cap slowly to release the pressure before removing it.

3 As soon as possible, have the cooling system checked by a workshop. We recommend that you contact an authorized Saab dealer.

## Towing a trailer \*

 **WARNING**

- When towing a trailer, do not attempt to negotiate a hill having a gradient in excess of 15 %. The weight distribution over the front wheels of the car will be insufficient to prevent wheelspin, making further progress impossible.
- In addition, the parking brake may not always be able to hold the car and trailer securely, with the result that the wheels can start to slide downhill.
- Always apply the trailer's parking-brake when unhitching it. There is otherwise a risk of personal injury or damage to the bumper should the trailer start to roll.

## Trailer hitch attachment \*

Trailer hitch attachments are available as accessories. These are designed for a maximum trailer weight of 3500 lbs. (1588 kg), see also page 261.

Use only the electrical trailer hitch socket provided in the trailer hitch kit. \*  
Saab recommends:

- Use a Saab original hitch kit attachment which is designed and tested by Saab.
- Consult your Saab dealer regarding the appropriate hitch kit for your car.

**NOTICE**

Use only a genuine Saab trailer hitch and wiring, since other wiring methods can cause expensive damage to the car's body and electrical system.

We recommend that you consult an authorized Saab dealer for guidance on how to connect the trailer hitch electrical system.



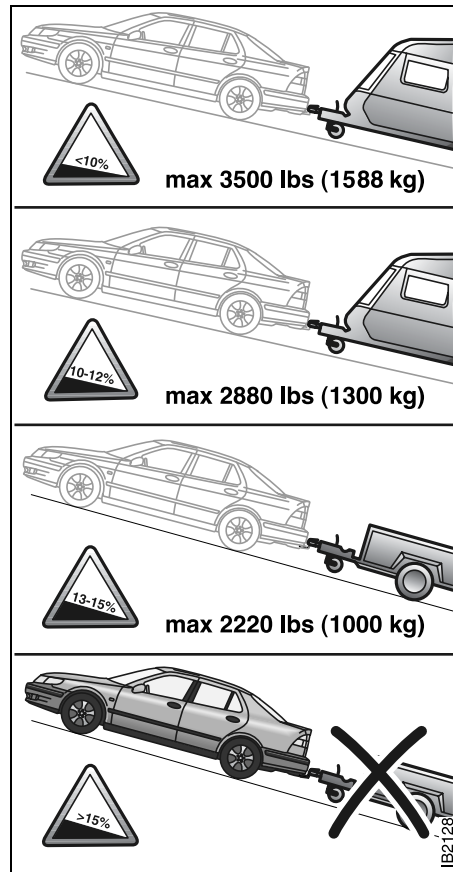
### Trailer weight

Maximum recommended trailer weights for different gradients, with a view to comfort and drivability for manual and automatic cars, are shown on the drawing.

**Make sure you are familiar with the law regarding speed limits for towing, maximum trailer weights, trailer-braking requirements, and also any special driving-licence provisions (see also page 261).**

The specified trailer weights and gradients assume that the journey starts at the hill and therefore apply only to short periods.

Maximum recommended trailer weights for different gradients



### Recommendations for driving in hilly terrain

The following time limits are based on the capacity of the cooling system in warm weather, i.e. approximately 86°F (30°C).

Gradient of hill, %	Maximum trailer weight, lbs. (kg)	Maximum duration, minutes
6-7	3300 (1500)	unlimited
8-9	3300 (1500)	15 max
10-15	1870 (850)	15 max

The following time limits are based on the capacity of the cooling system in hot weather, i.e. approximately 104°F (40°C).

Gradient of hill, %	Maximum trailer weight, lbs. (kg)	Maximum duration, minutes
6-7	2000 (900)	unlimited
8-9	2000 (900)	15 max
10-15	1000 (450)	15 max.

When negotiating long hills, bear the following important considerations in mind:

- Use Normal mode when driving with a caravan or trailer on hilly roads. The adaptive gear change pattern function will prevent the transmission overheating.
- Rises in coolant temperature are indicated by the temperature gauge in the main instrument panel.

### **Recommendations for cars with automatic transmission**

Rises in coolant temperature are indicated by the temperature gauge in the main instrument panel.

The following steps are taken in order as the temperature of the engine increases:

- Gear change pattern is altered.
- A/C compressor is switched off.
- Engine torque is reduced.

The following message will be displayed on the SID if the transmission fluid becomes too hot:

“Gearbox too hot.

Make a safe stop.

If this message appears, stop the car as soon as it is safe to do so and allow the engine to idle until the message has gone out. The selector lever should be in position P.

When continuing your journey, select manual mode and a gear in which the engine speed is about 3,000 rpm until the incline eases (see page 159).



### **WARNING**

Remember to use the braking effect of the engine (position D or L) when you are descending long or steep hills to spare the brakes.

Brake failure can result from overheated brakes!

### Recommendations for cars with manual gearbox

Rises in coolant temperature are indicated by the temperature gauge in the main instrument panel.

The following steps are taken in order as the temperature of the engine increases:

- A/C compressor is switched off.
- engine torque is reduced.

When continuing your journey, select a gear in which the engine speed is about 3,000 rpm until the incline eases.



#### WARNING


Utilize the braking effect of the engine (1st, 2nd or 3rd gear) when you are descending long or steep hills to spare the brakes.

Brake failure can result from overheated brakes!

### Driving considerations

Always take extra care when towing a trailer, as the car's handling will be different and its braking effect reduced. The trailer's braking system and suspension also have a considerable effect on these characteristics, see also "Driving with a load" page 183. If the car has automatic transmission, select position D when ascending steep hills. This ensures that the adaptive gear change patterns are operational, see page 160. Use position D or L for steep descents.

#### NOTICE

If the "Automatic transmission ✱, fault indicator" indicator  comes on, cease towing until the problem has been rectified.

### Checks before driving

Make sure that the car and camper or trailer are in good working order. This is essential since towing a camper or trailer increases the strain on the car.

- Check and if necessary adjust the tire pressure of the car and camper or trailer.
- Make sure all wheel bolts are properly tightened.
- Make sure that the equipment joining the car and camper or trailer is properly secured and adjusted.
- Make sure the camper or trailer's electrical cable is properly connected and is not so long that it drags along the ground. Also, make sure the cable is not too short and risks breaking when turning a corner.
- Check all bulbs.
- Check the car and camper or trailer brakes.
- Make sure that all items on or in the caravan or trailer are properly secured.
- Make sure that the camper or trailer's jockey wheel is raised and locked.
- Check the distribution of the load so that the car and camper or trailer are well balanced.
- Check that the rearview mirrors provide the best possible rearward vision.
- Make sure the camper or trailer's safety cable is correctly attached.

### Trailer hitch load

The weight distribution on the trailer makes a lot of difference to the handling properties of the car and trailer combination. As regards single-axle trailers, whenever possible, concentrate the load over the wheels and keep it as low as possible.

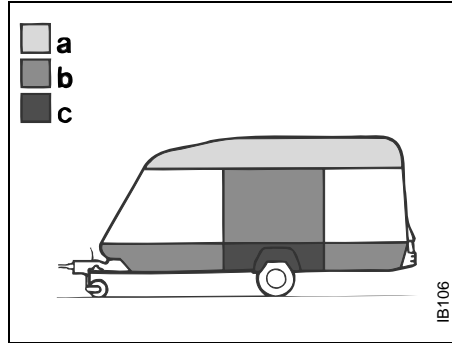
The trailer should be loaded so that the maximum load on the towbar ball is 5 % to 7 % of the trailer weight with a maximum permissible tongue weight of 110–165 lbs. (50–75 kg).

Note that this load must be added to the total load for the car. If this now exceeds the specified load capacity, the load in the luggage compartment will have to be reduced by a corresponding amount.



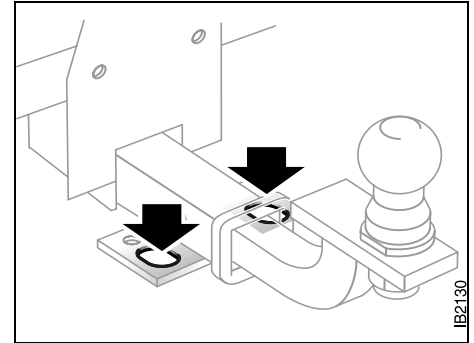
**WARNING**

When you connect the trailer be sure to attach its safety chains to the holes as illustrated.



*Distribution of load in trailer*

- a Light
- b Moderate
- c Heavy



*Attach the safety chains to the holes as illustrated*

## Driving with a roof rack load

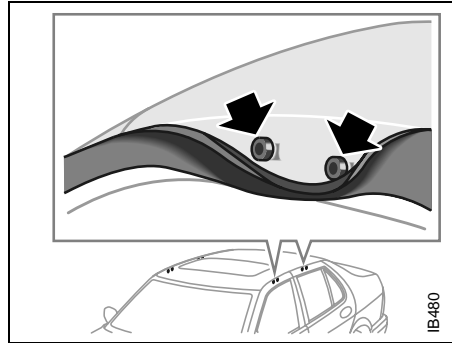
### WARNING

- A roof load will affect the car's center of gravity and aerodynamics. Be aware of this when cornering and driving in crosswinds.
- Suit your speed to the prevailing conditions.
- Due to higher aerodynamic drag, fuel economy may suffer when driving with a roof rack.

The maximum permissible roof load is 220 lbs. (100 kg).

Note that the roof load is included in the car's maximum permissible load (see page 260).

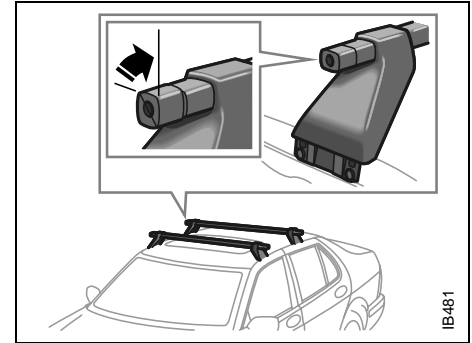
Strong, sturdy roof carriers \* designed specially for the car are available from your Saab dealer. Always secure the roof load safely.



### Fitting the roof carriers \*, 9-5 Sedan and 9-5 SportCombi without roof rails

The carrier feet are marked with a top view of the car and arrow indicating their positions.

- 1 Slip the plastic cover onto the adjustable foot of the carrier (foot with knob for tightening) to protect the paintwork during assembly.
- 2 Open all the doors.  
Fold back the rubber strip and find the fixing holes.



- 3 Start on the left-hand side of the car. Rest the carrier carefully across the roof, with the rigid foot towards you. Hold the foot clear of the roof to avoid damaging the paintwork.  
Fold back the rubber strip and insert the pins on the foot into the fixing holes. Make sure that the rubber strip comes inside the plastic cover on the carrier. Repeat the procedure with the other carrier.

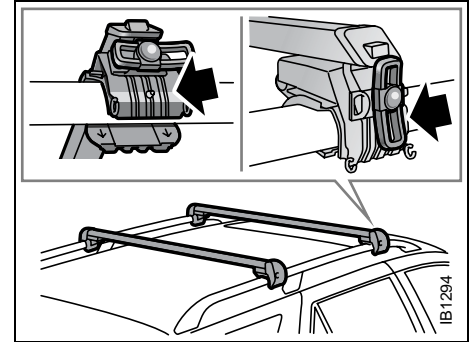
- 4 Close the doors on the left-hand side of the car gently, to hold the carrier feet in place.
- 5 Now go around to the other side of the car and remove the plastic cover from the carrier's adjustable foot. Fold back the rubber strip and insert the pins on the foot into the fixing holes. Do the same with the other carrier and close the doors gently.
- 6 Tighten each carrier by turning the knob clockwise (by hand). Tighten just enough to bring the foot up against the edges of the fixing holes.

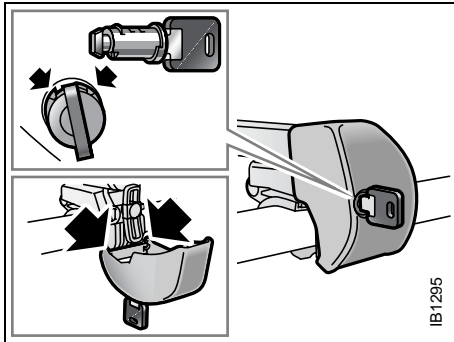
Remove the carriers when not in use, as they increase fuel consumption.

The instructions that accompany the carriers also include advice on driving with a roof load – we strongly recommend that you read them carefully.

### Fitting the roof carriers \*, 9-5 SportCombi with roof rails

- 1 Clean the car's roof rails.
- 2 Check the markings on the cross members to see which is the front and which is the rear roof carrier.
- 3 Place the cross members on the roof rails, on their respective sides of the center supports. The cross members must not be placed beyond the front or rear joint on the rail. Ensure that the distance between the cross members is at least 28 inches (700 mm).  
If a roof box is to be fitted, the cross members must be positioned so that the tailgate can be opened fully without hitting the roof box.
- 4 Using your thumb, press the bracket so that it lies snugly against the outside of the roof rail. Make sure that the roof carriers are seated centrally on the rubber spacers and that these sit correctly on the roof rail. Pull the spacers down slightly on the inside of the roof rail.
- 5 Center the roof carriers so that they protrude equally on both sides.
- 6 Tighten the roof carriers by hand. Ensure that the tightening knobs are upright once the roof carriers have been tightened.
- 7 Make sure the roof carriers are securely in place.





## Driving at night

Bear in mind the following points when driving at night:

- Nighttime driving requires your full concentration.
- Do not rush. Count on your journey taking slightly longer.
- The number of drivers under the influence of drugs is likely to be greater at night than during the day.
- Do not stare at the headlights of oncoming vehicles.
- Avoid driving at night if you have poor eyesight. Night vision deteriorates with age.
- Keep your car's headlights, windows and mirrors clean. Also, if you wear glasses, make sure they are clean.
- Make sure you are well rested before starting a long journey. Take a break every other hour.
- Only eat light meals. Heavy meals have a tendency to induce tiredness.

## Driving with a load

The driving characteristics of the car are affected by the way it is loaded.

- Place heavy loads as far forward and as low as possible in the trunk.
- Secure the load to the tie downs, see page 132.
- The load should be such that the car's total weight or axle weight are not exceeded, see page 260.
- Heavy loads mean that the car's center of gravity is further back. As a result, the car will sway more during evasive steering.
- Never exceed the permissible load in the roof box \*, even if there is room for more.
- Ensure that the tire pressure is correct – slight overinflation is preferable to underinflation.
- The braking distance of a loaded car is always greater. Keep your distance from the vehicle in front.
- Roof loads can negatively affect telecommunication.

**Tire pressure, see page 270 and back cover.**

## Tires

 **WARNING**

Check the tire pressure **at least once a month** and before long journeys. Underinflation can result in:

- Punctures
- Separation of the tire and tread
- Damage to the sidewalls
- Damage to the rims on poor roads
- Poor handling characteristics
- Premature tire wear
- Increased fuel consumption.

The tire pressure should match the current load and speed of the car; for cars sold in U.S. see page 234; for cars sold in Canada see page 269.

The tire pressures given apply to **cold** tires, that is tires that are the same temperature as the outside air temperature.

The tire pressure increases as the tires become warm (e.g. during highway driving) with approximately 0.3 bar (4 psi). When the temperature of the tires changes by 50° (10°C), the tire pressure will change 0.1 bar (2 psi).

Never reduce the pressure of a hot tire. If the tires are hot when you check them, only increase the pressure, if necessary.

Underinflated tires wear more quickly than slightly overinflated tires.

If a valve is leaking, simply unscrew it and fit a new one.

**Important!** Remember to adjust the tire pressures if you change the load in the car or intend to drive at substantially lower or higher speeds than normal.



## Driving with a spare wheel fitted

See page 238.

## Driving with the trunk lid/tailgate open

Avoid driving with the trunk lid/tailgate partly or fully open, since exhaust fumes can be drawn into the cabin.

If you must drive with the trunk lid/tailgate open, all windows and the moonroof \* must be closed and the cabin fan on at its highest speed setting.

## Driving in deep water

### NOTICE

Do not drive in water deeper than 12 inches (30 cm) and do not drive faster than 3–4 mph. Water can otherwise be sucked into the engine. The engine will be seriously damaged if water enters the intake system.

## Towing the car

### WARNING

- Remember that the brake servo does not operate when the engine is off. Much greater pressure than normal will therefore be required to operate the brake pedal.
- Nor does the steering servo operate when the engine is off. The steering will therefore be much heavier than usual.
- The towing vehicle should always be heavier than the vehicle on tow.
- Never allow passengers to ride in the car being towed.
- Always seek professional help if the car needs to be towed.

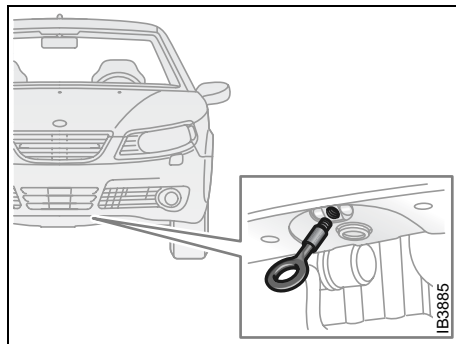
## Front towing eye

### WARNING

- Make sure that the towing eye at the front is screwed in tightly.
- The towing eye is only designed for use when the car is being towed on the road. It **must not be used** to pull the car out of a ditch, for example.
- Make sure that all bystanders keep a suitable distance, in case the towing eye or tow rope should break. The towing eye or tow rope could catapult off and cause serious injury.

### NOTICE

- Do not drive the car with the front towing eye in position. If it catches the curb, for example, the engine sub-frame could be damaged.
- Refit the plastic plug in the hole when the towing eye has been removed, to keep dirt and moisture out of the threads.



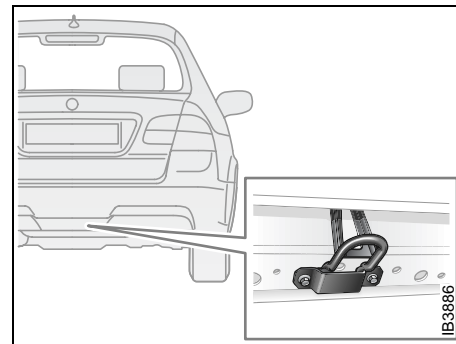
*Front towing eye*

The front towing eye is stored with the spare wheel.

The attachment point (tapped hole) for the towing eye is midway along the engine sub-frame at the front of the car.

Remove the plastic plug and screw in the towing eye securely.

To ensure that the towing eye is in far enough, insert the handle of the wheel wrench through the eye for additional leverage.



*Rear towing eye*

## Rear towing eye

The car has a permanently mounted towing eye at the back. If the car is equipped with a trailer hitch, this can be used instead of the towing eye.

## Towing the car

### NOTICE

- **Never** use the towing eyes to pull the car unstuck.

Gear lever in neutral (in cars with automatic transmission: selector lever at N (neutral))  
Turn on the parking lights.

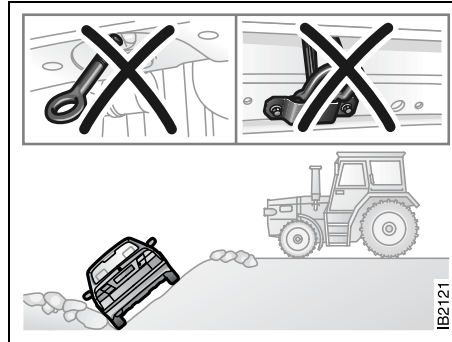
**Drive carefully and do not exceed the speed limit for vehicles being towed.**

Always try to keep the towrope taut by gently applying the brake, as necessary. This will avoid the towrope being jerked violently.

The local regulations on towing speeds must be followed.

The highest permissible towing speed is 30 mph (50 km/h), unless the legal limit is lower. The longest permissible towing distance is 30 miles (50 km). If the car has to be transported farther than that, summon a tow truck. A flat bed tow truck is the preferred method to tow.

Failure to follow these guidelines can result in damage.



*Never use the towing eyes to pull the car unstuck*

### Cars with automatic transmission

### NOTICE

- The car must be towed front first.
- If the car is to be towed with the front wheels off the ground, make sure the parking brake is off, as this acts on the rear wheels.

The car cannot be push started. In an emergency, it is possible to start the engine using jump leads (see the section, "Jump starting" on page 188).

## Transporting the car

### NOTICE

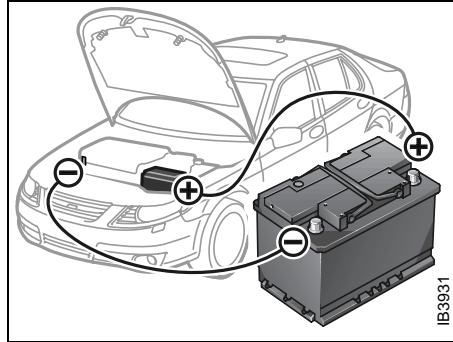
If a car with a sport (lowered) chassis is transported, for example on a flat bed truck, take extra care not to damage the spoiler and/or underbody.

## Jump starting

### WARNING

- When working on the battery, highly explosive gas can build up. A spark could ignite this gas that collects around the battery. Therefore, always avoid sparks and open flames in the vicinity of the battery.
- The battery contains corrosive sulfuric acid. Always wear a face mask or goggles when working on the battery.
- If battery acid gets into the eyes or splashes onto skin or clothing, wash the affected area liberally with water. If acid gets into the eyes or a large quantity makes contact with the skin, seek medical help.
- Battery posts, terminals and related accessories contain lead and lead compounds. Wash your hands after handling.

If your battery has run down, you may want to use another vehicle and some jumper cables to start your Saab. Follow the steps below to do it safely.



### NOTICE

Ignoring these steps could result in costly damage to your vehicle that would not be covered by your warranty.

Trying to start your car by pushing or pulling it could damage your vehicle, even if you have a manual transmission. If you have an automatic transmission, your vehicle cannot be started by pushing or pulling it.

To jump start your vehicle:

- 1 Check the other vehicle. It must have a 12-volt battery with a negative ground system.

### NOTICE

If the other system is not a 12-volt system with a negative ground, both vehicles can be damaged.

- 2 Get the vehicles close enough so the jumper cables can reach, but be sure the vehicles are not touching each other. If a poor connection on the negative jumper cable should exist, it is possible for damage to be caused to electrical systems/components of either vehicle should inadvertent contact be made. You would not be able to start your car and bad grounding could damage electrical systems.

### WARNING

You could be injured if the vehicles roll. Set the parking brake firmly on each vehicle. Put an automatic transmission in P (Park) or a manual transmission in Neutral.

- 3 Turn off the ignition on both vehicles. Turn off all lights that are not needed, and radios. This will avoid sparks and help save both batteries and it could save your radio.

**NOTICE**  
If you leave your radio on, it could be badly damaged. The repairs would not be covered by your warranty.

4 Open the hood and locate the battery. Find the positive (+) and negative (-) terminals on the battery.

**! WARNING**  
An electric fan can start up even when the engine is not running and can injure you. Keep hands, clothing and tools away from any underhood electric fan.

**! WARNING**  
Using a match or flame of any kind near a battery can cause battery gas to explode. You can suffer burns or be blinded. Use a flashlight if you need more light.  
Be sure the battery has enough water. The battery installed in your new Saab has filler caps. Be sure the right amount of water is there. Add distilled or boiled water if the level is too low. If you don't, explosive gas could be present.  
Be sure the electrolyte in the battery is not frozen. Discharged batteries will freeze. When connecting jumper cables to a frozen battery, gas from the chemical reaction inside the battery can build up under the ice and cause an explosion.  
Battery fluid contains acid that can burn you. Do not get it on you. If you accidentally get it in your eyes or on your skin, flush the area with water and get medical help immediately.

- 5 Check that the jumper cables do not have loose or missing insulation. If they do, you could get a shock and also the vehicles could be damaged. Before you connect the cables, here are some basic things you should know. Positive (+) will go to positive (+) and negative (-) will go to a major metal engine part with a good ground. Do not connect (+) to (-) or you will get a short that could injure you or would damage the battery and maybe other parts as well.
- 6 Connect the red positive (+) cable to the positive (+) terminal of the vehicle with the discharged battery.
- 7 Do not let the other end touch metal. Connect it to the positive (+) terminal of the good battery. Use a remote positive (+) terminal if the vehicle has one.
- 8 Now connect the black negative (-) cable to the good battery's negative terminal.

**WARNING**

Do not let the other end touch anything until the next step. The other end of the negative cable **does not** go to the dead battery. It goes to a major metal part with a good ground on the engine of the vehicle with the discharged battery.

- 9 Attach the cable at least 18 inches (45 cm) away from the discharged battery, but not near engine parts that move. To avoid an arc which could detonate the hydrogen gas around the battery, the final connection must be at least 18" from the battery.
  - 10 Start the vehicle with the good battery and run the engine for a while.
  - 11 Try to start the vehicle with the discharged battery. If it does not start after a few tries, it probably needs service.
  - 12 Remove the cables in reverse order to prevent electrical shorting. Take care that they do not touch each other or any other metal.
- If the charger \* or starter unit \* can be set to different voltages (6V/12V/18V/24V), 12V must be selected.
  - Follow the manufacturer's instructions supplied with the charger or starter unit.
  - Nothing that is plugged into an electrical outlet should be connected to the car during charging or jump starting.
  - The charger or starter unit must under no conditions produce a voltage greater than:
    - 16V continuous
    - 18V for 60 min.
  - If you are unsure about the charge rating of the unit, disconnect the battery clamp from the positive terminal before connecting the unit to the battery.

## Charging the battery/Jump starting

To avoid damaging the car's electrical system and electronics, the following rules must be followed when charging the battery or jump starting the car.

# Car care and technical information



IB3888

Hood _____	192	Tires _____	225
Engine compartment ____	193	Compact spare tire ____	237
Emission control systems _____	194	Safety belts _____	242
Engine _____	196	Upholstery and trim ____	243
Engine oil _____	196	Textile carpeting _____	243
Transmission fluid ____	198	Washing the car _____	244
Coolant _____	198	Waxing and polishing__	245
Brake and clutch fluid__	199	Engine compartment ____	245
Power steering fluid ____	201	Touching up the paint _	245
Air filter _____	201	Air conditioning (ACC) _	246
Battery _____	202	Anti-corrosion treatment	248
Drive belts _____	204	For long trips_____	249
Wipers and washers ____	205	Recovery and/or recycling of automotive materials _____	250
Changing bulbs _____	207	Headlight aiming_____	250
Fuses _____	219		

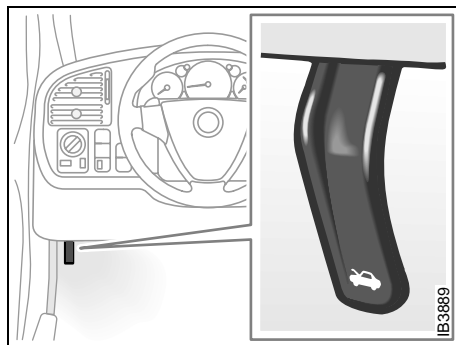
\* Asterisk means: equipment not fitted in all cars (can depend on model variant, engine variant, market specification, options or accessories).

## Hood

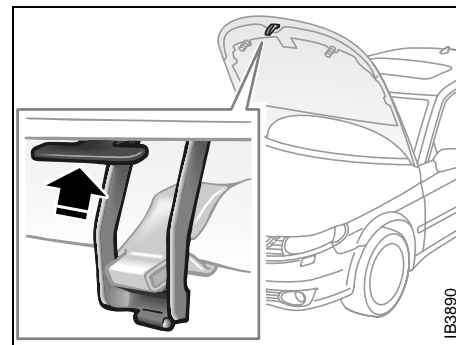
The hood release handle is located underneath the instrument panel. To open the hood:

- 1 Pull the release handle.
- 2 The front of the hood will now spring up, providing access to the secondary safety catch.
- 3 Push the catch upwards, pushing the hood downward a little bit at the same time. The hood can now be lifted right up.

To close the hood, release it from a height of about 8 - 16 in (20-40 cm). **Do not** press down on it.



*Hood release handle*



*Hood secondary safety catch*

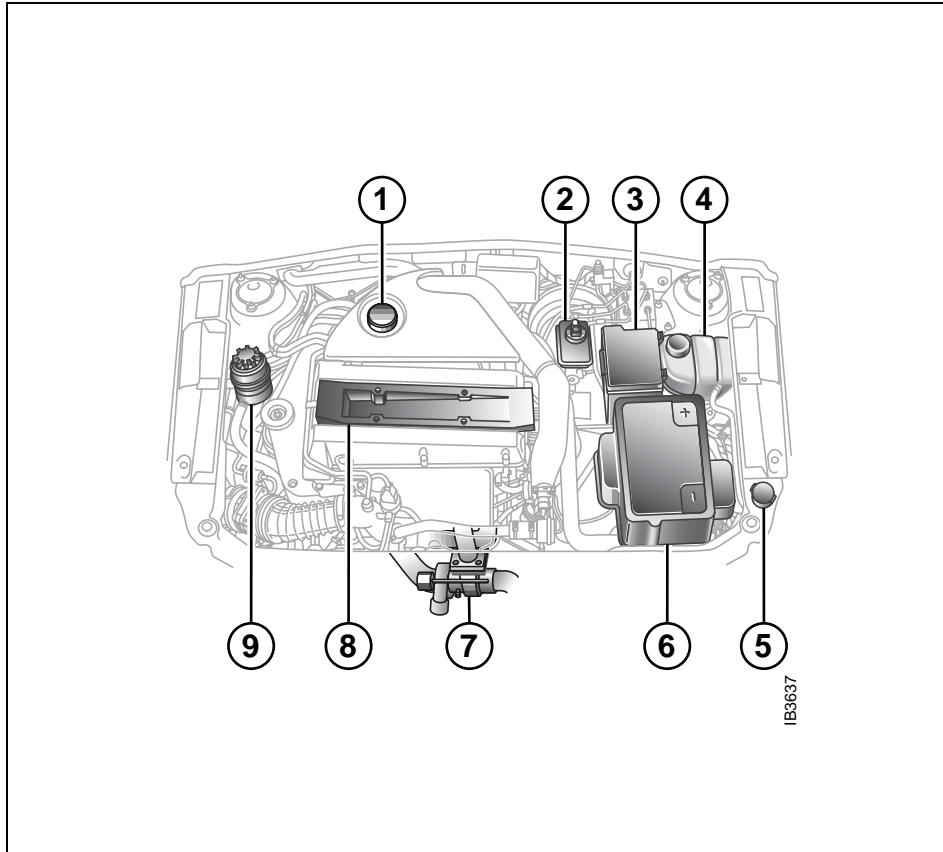
### **WARNING**

Never hold your fingers between the hood and safety catch if lowering but not closing the hood.

Check that the hood is now closed securely.



## Engine compartment



### *Engine compartment*

- 1 Engine-oil dipstick/filler cap
- 2 Reservoir, brake/clutch fluid
- 3 Fuse box
- 4 Expansion tank, coolant
- 5 Washer-fluid filler cap
- 6 Battery
- 7 Turbo unit
- 8 Ignition discharge module
- 9 Reservoir, power-steering fluid

IB3637

## Engine families

Saab cars imported into the United States and Canada meet all applicable emission control standards. The engine family and appropriate tune-up specifications are identified on a label affixed to the left front inner fender.

These engine families meet applicable EPA Federal Standards, California State Standards and Canadian Federal Standards and are equipped with the following systems:

- Sequential multiport fuel injection system
- Three way catalytic converter
- Crankcase emissions control system
- Evaporative emission control system
- On-Board diagnostic (OBD II) system.

## Emission control systems

The systems for controlling emissions to the atmosphere require regular checking and adjustment at the intervals specified in the service program.

In addition to meeting the exhaust emission regulations and thereby helping to keep the environment clean, a correctly tuned engine will also give maximum fuel economy.



Engine exhaust, some of its constituents, and certain vehicle components contain or emit chemicals known to the State of CA to cause cancer and birth defects and reproductive harm. In addition, certain fluids contained in vehicles and certain products of component wear contain or emit chemicals known to the State of California to cause cancer and birth defects or other reproductive harm.

## Saab Trionic engine management system

The Saab Trionic engine management system is a unique Saab development that combines sequential multiport fuel injection, electronic distributorless ignition and turbo-charger boost pressure control into one system.

The Trionic engine control module (ECM) monitors many different engine parameters such as:


- Intake manifold pressure
- Intake air temperature
- Crankshaft position
- Engine coolant temperature
- Throttle position and
- The oxygen content of the exhaust gases.

The ECM receives information regarding engine knocking from a sophisticated feedback function in the ignition discharge unit.

By processing all of this information, the Trionic system can control fuel injector opening duration, ignition timing and turbo-charger boost pressure to provide excellent engine performance while maintaining low emissions and fuel consumption.

### NOTICE

The Trionic engine management system continuously monitors the operation of these systems and has on-board diagnostic capabilities (OBD II).

If the "Engine malfunction (CHECK ENGINE)" lamp  in the main instrument illuminates, this indicates that the Trionic ECM has detected a problem. The car will continue to operate, but performance may be diminished. You should have your car checked by a Saab dealer as soon as possible.

## ORVR (Onboard Refueling Vapor Recovery)

Hydrocarbon vapors formed when refueling will be recovered by the car and not released into the atmosphere. The hydrocarbons are absorbed in a evaporative emission canister. When the engine is subsequently started, the evaporative emission canister is gradually purged as air is sucked into it through a shut-off valve. The hydrocarbon/air mixture passes through the evap canister purge valve and into the engine where it is burned.

When refueling, make sure you screw the filler cap on and keep turning until it has clicked at least 3 times. Otherwise, it is possible for the CHECK ENGINE light to illuminate.

Refueling, see page 148.

## Engine

The 2.3-liter model is a transverse, 4-cylinder in-line engine with twin overhead camshafts and 4 valves per cylinder.

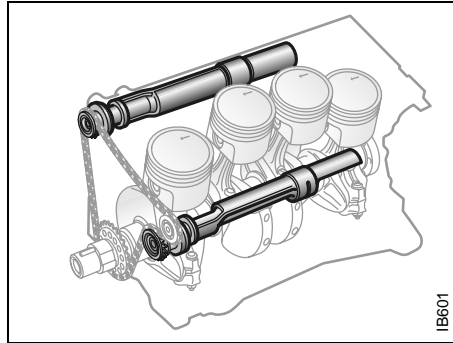
This engine is equipped with balance shafts that reduce engine vibration to a minimum.

The balance shafts are chain driven and rotate at twice the speed of the crankshaft.

They produce forces and torques that are opposed to those generated by the pistons and connecting rods, an effect that occurs twice for each revolution of the engine.

Engine noise is also reduced as the counter-rotating shafts counteract the vibration from the moving parts of the engine.

The transmission, located on the right (viewed from the front), is integrated with the engine. All models have front-wheel drive.



*Balance shafts*

## Engine oil

### Checking the oil level

Check the engine-oil level regularly. This should be done after the engine has been run to normal temperature and then allowed to cool for 2–5 minutes, with the car standing on level ground. Remove the dipstick and wipe it clean before checking the level.

The oil level must not be allowed to drop below the MIN mark on the dipstick, nor should oil be filled beyond the MAX mark, as this can lead to excessive oil consumption.

The distance between the MIN and MAX marks on the dipstick corresponds to a volume of approximately 1.05 qts (1 liter).

When necessary, add oil of the recommended grade via the dipstick tube. Recommended oil grade, see page 263.

### NOTICE

- Do not operate the engine with a low oil level.
- Change engine oil and oil filter as prescribed in the service programme.
- Only use the recommended oil type.

Follow the three points listed above to avoid severe engine damage.

More frequent oil changes are recommended if your vehicle is operated under certain conditions, see page 254.

## Changing engine oil

### WARNING

- Prolonged and repeated exposure of the skin to engine oil can cause serious skin disorders. Avoid prolonged skin contact whenever possible.
- Used engine oil contains chemicals that have caused cancer in laboratory animals. Always protect your skin by washing thoroughly with soap and water.
- Keep oil out of reach of children.
- Do not touch the turbocharger or exhaust manifold. These get very hot when the engine has been running.
- Do not spill oil on hot parts of the engine as this could cause a fire. Used engine oil is particularly flammable.
- Protect the environment. Do not dispose of oil in the ground or down a drain. Dispose of all used oil and oil filters at an appropriate disposal facility.

The engine oil must be changed in accordance with the service program, see page 254.

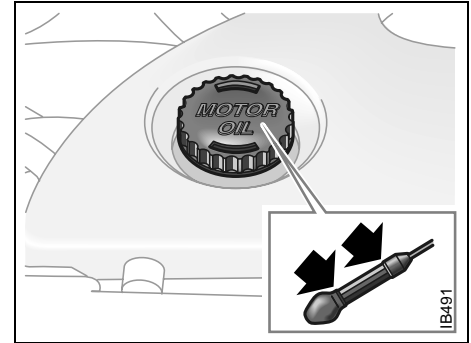
Oil volume and grade, see page 263.

Oil changing should be carried out on a warm engine.

- 1 Unscrew the drain plug in the bottom of the sump and leave the oil to drain into an oil tray or other suitable receptacle for at least ten minutes. Take care, as the oil may be hot.
- 2 After the oil has been drained, unscrew and remove the oil filter.
- 3 Fit a new filter and tighten it by hand.
- 4 Refit the drain plug with a new washer.
- 5 Fill with new engine oil.

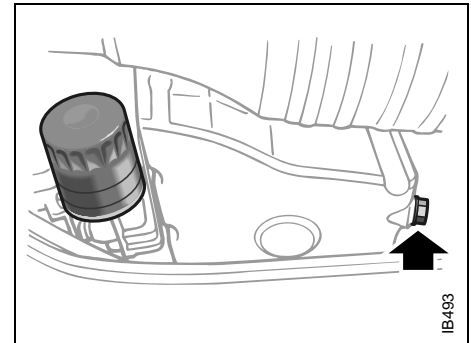
Run the engine to normal temperature and check the oil level.

Change of engine oil and oil filter may be required more frequently, see page 254.



*Engine-oil filler cap and dipstick*

*Drain plug and oil filter*



## Transmission fluid

### Manual transmission

Check and top up the fluid in accordance with the service program.

### Automatic transmission

Check and top up the fluid in accordance with the service program.

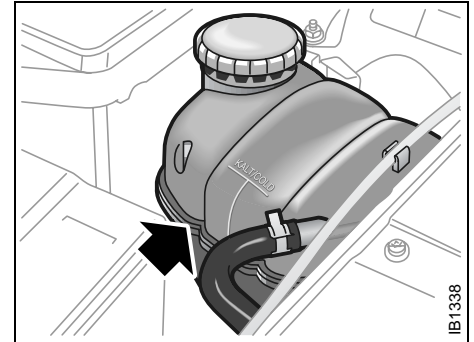
## Coolant

 **WARNING**

- Proceed with caution if the radiator is boiling when you open the hood. Never remove the expansion-tank filler cap when the radiator is boiling.
- The cooling system is pressurized – hot coolant and vapor can escape when the filler cap is released. These can cause injury to your eyes and burns. Loosen the cap carefully, and let the engine cool before removing the cap.
- Exercise care when adding coolant. Coolant on hot surfaces constitutes a fire risk.

The expansion tank is transparent to facilitate checking of the coolant level.

When the engine is cold, the coolant must not lie over the KALT/COLD mark on the expansion tank.



*Coolant expansion tank*

If the message "Coolant level low. Refill."

is displayed on the SID, check the level of fluid in the expansion tank.

Top up, as necessary, with equal parts of clean water and Saab-approved coolant.

If the expansion tank is empty when coolant is added, run the engine to normal temperature and top up again, as necessary.

The cooling system is charged at the factory with coolant containing a 45 % concentration of a combined antifreeze and corrosion inhibitor. A weaker mixture will result in reduced anticorrosion protection. For protection against freezing in very cold weather, a stronger concentration will be needed.

A 60 % concentration of antifreeze will provide protection at temperatures down to  $-58^{\circ}\text{F}$  ( $-50^{\circ}\text{C}$ ).

The coolant does not normally have to be changed during the service life of the car. The type of coolant used has a reddish color and should not be mixed with other types of coolant. Saab Original coolant should be used all year round. Only use coolant approved by Saab.

**Note:**

If incorrect coolant is used or added, the life-time properties will be affected. Even if the coolant is flushed from the system and replaced with life-time coolant, life-time properties are no longer retained and the coolant must then be drained and replaced at regular intervals.

**NOTICE**

Always mix the antifreeze with the appropriate volume of water before adding it to the cooling system.

If pure antifreeze is added, the engine could still freeze and be damaged. This is because the antifreeze will not mix properly with the coolant before the thermostat has opened to allow full circulation.

## Brake and clutch fluid



Brake fluid deteriorates as it becomes old. Because it is hygroscopic, it absorbs water from the air and, in time, could allow vapor to form in the brake system, thus reducing its performance. It is therefore important that brake fluid be changed regularly, as specified in the service program.

### Checking the fluid level

The combined brake and clutch-fluid reservoir is transparent to facilitate checking of the fluid level.

The level should be between the MAX and MIN marks. Top up, as necessary, with **DOT 4** fluid. Do *not* use DOT 5 brake fluid.

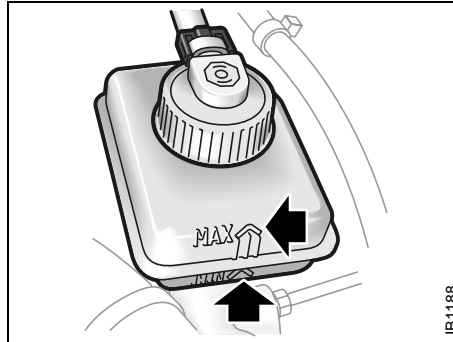
Use only new brake fluid from a sealed container.

Check that there are no leaks in the brake system.

The brake fluid level will fall somewhat as the brake pads wear. The MAX level in the reservoir corresponds to the amount of brake fluid required with new brake pads. If the fall in fluid level is moderate, due to normal brake pad wear, topping up is not necessary.

**Changing of the brake fluid should be carried out by a workshop. We recommend that you contact an authorized Saab dealer.**

The vehicle's regular braking system is adjusted automatically, but the parking brake has to be adjusted manually. This work, involving adjustment of the parking brake cables and brake pads, must only be carried out by a workshop. We recommend that you contact an authorized Saab dealer.



*Brake and clutch-fluid reservoir*

## Brake pad wear indicators

The outboard brake pads on the front wheels incorporate pad-wear indicators. When the lining is down to 0.11 in (3 mm), the pad will produce a screeching, squealing or scraping noise when the brakes are applied. New pads should be fitted without delay.

**Brake pads should only be changed by a workshop. We recommend that you contact an authorized Saab dealer.**

It is not possible to detect, through abnormal pedal or parking brake-lever travel, whether brake pads are worn and need replacing. It is therefore essential that brake pads be checked regularly, as specified in the service program.

### NOTICE

Avoid spilling brake fluid onto paintwork, since it can cause the paint to bubble and lift. If any brake fluid is spilled, the area should be flushed with large quantities of water as quickly as possible.



## Power steering fluid

### WARNING

- Do not fill the power steering fluid to above the MAX mark. Too much fluid can result in leakage.
- Power steering fluid on hot engine components constitutes a fire risk.

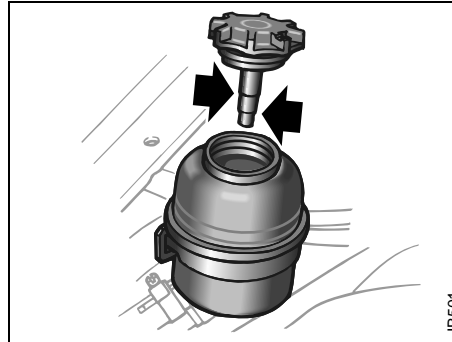
Check the level of the power steering fluid in the reservoir regularly, in accordance with the service program.

The wheels should point forward during the check.

Clean around the cap before it is unscrewed. Clean the dipstick. Screw in the cap completely again before checking the level.

The oil should lie between the MAX and MIN marks when the oil temperature is about 70°F (+20°C). If the oil is colder the level can be lower, and in higher temperatures the level can be higher, both of which are acceptable.

Top up with "Power Steering Fluid CHF 11S or CHF 202".



*Power steering fluid reservoir*

## Air filter

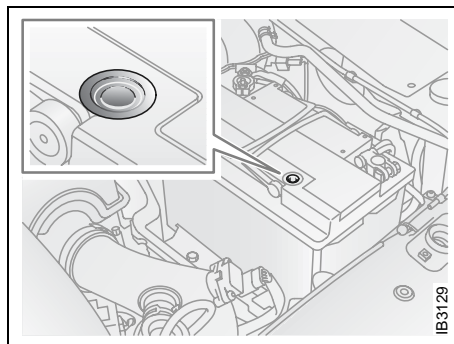
### WARNING

- For Service and Repair, parts equivalent to those used by Saab should be used.
- Be aware that some non standard replacement parts may put you in an unsafe condition, even if they might fit.

## Battery

### WARNING

- Work on the battery may entail an explosion hazard, since the battery gives off hydrogen which forms an explosive mixture with the oxygen in the air. For this reason, always avoid sparks or open flames when working near the battery.
- The battery contains corrosive sulfuric acid. Always wear a face mask or goggles when working on the battery.
- If battery acid gets into the eyes or splashes the skin or clothing, wash the affected area liberally with water. If acid gets into the eyes or a large quantity makes contact with the skin, seek medical help.
- Battery posts, terminals and related accessories contain lead and lead compounds. Wash your hands after handling.



*Electrolyte level indicator.  
Level correct if level indicator dark.  
Battery should be changed if indicator is light*

The battery is provided with a cover to protect it from radiated heat. If the battery is exposed to high temperatures, its life will be shortened. To remove the cover, release the two clips along its long sides.

The cover fits the standard battery installed in the car. If a new battery is to be fitted, make sure that its dimensions are the same as the standard one.

The battery is maintenance free and should be changed if the electrolyte level is too low. The indicator on the top side of the battery will be white if the battery needs replacing. The fluid level and the charge level should be checked regularly.

### NOTICE

A discharged battery can freeze and fracture. Batteries should therefore always be stored away from frost.

If frequent short journeys are made, the battery may need to be given a booster charge. This can be done either using a battery charger or by taking the car for a long run. A car with a standard equipment specification and a fully charged battery can be left for up to 40 days and still have a sufficient charge for starting. If extra equipment is fitted, such as a car phone, the charge may only be sufficient for about 15 days.

## Charging/replacing the battery

### NOTICE

To avert the danger of short-circuiting between the positive (+) terminal on the battery and the inlet manifold on the engine, always disconnect the negative (-) battery lead first and reconnect it last.

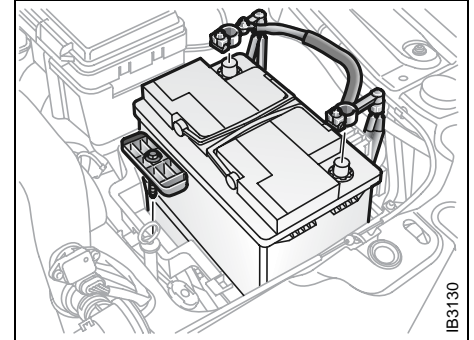
Connect the positive lead to the positive (+) battery terminal (red), and the negative lead to a good ground point, e.g. the lifting lug at the front of the engine.

To remove the battery, always disconnect the negative (black) lead first and reconnect it last when fitting the new battery.

The battery size must comply with DIN 53735 MFI 230/2.16.

### NOTICE

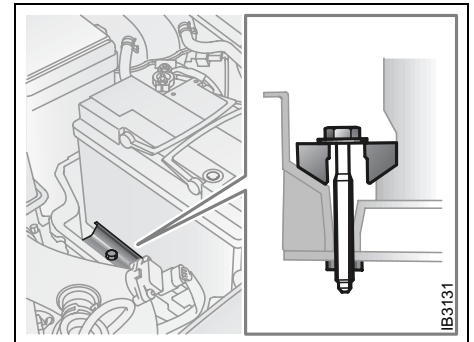
- If boost charging never use anything but a 12-volt charger, see page 190.
- Never reverse the polarity of the battery by connecting the leads to the wrong terminals. The red, positive lead connects to the positive (+) terminal, and the black, negative lead to the negative (-) terminal.
- Serious damage can occur to the car's electrical system if a battery or alternator lead is disconnected while the engine is running.
- The nut on the battery clamp should be tightened to a torque of 10 Nm.



IB3130

*Battery*

*Correct position for battery clamp*



IB3131

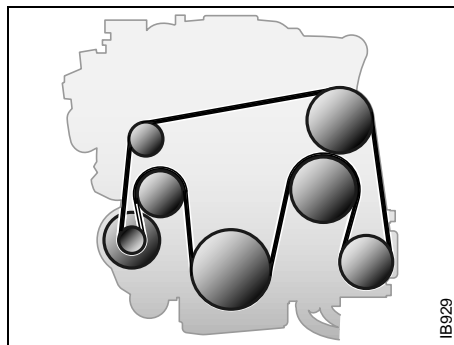
## Drive belts

### **WARNING**

- Keep hands and clothing clear of drive belts when engine is running.
- Always stop the engine before inspecting drive belt.
- The radiator fan is electric and can start **even** when the engine is switched off.

### **NOTICE**

Serious damage can be done to the car's electrical system if an alternator lead is disconnected while the engine is running.



*Routing of the drive belt*

The alternator is situated on the right-hand side of the engine, adjacent to the bulkhead. It is driven via a Poly-V-belt from the crankshaft pulley.

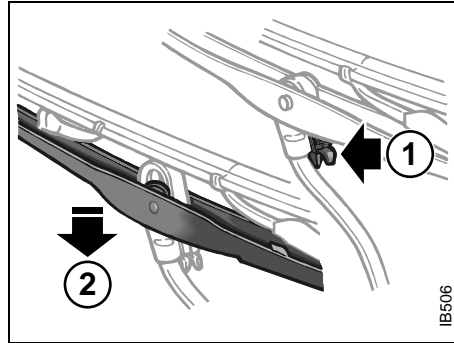
The Poly-V-belt also drives the water pump, the A/C compressor and the steering servo pump.

The belt tension is critical and is adjusted automatically by the belt tensioner.

See also page 59, "Warning, charging".

## Wipers and washers

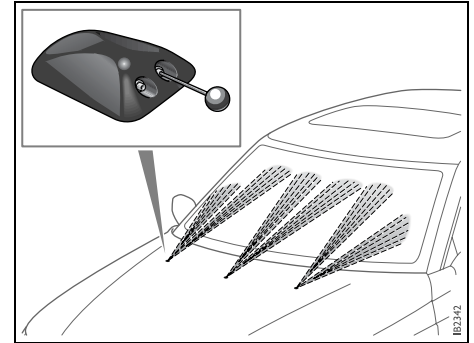
Check and clean all wiper blades regularly. If poor wiper performance is experienced, clean the windshield with a quality glass cleaner. This is particularly important if the car has been through an automatic car wash, as these sometimes leave a wax coating on the windshield. If wiper performance is still unsatisfactory, fit new blades.



### Changing the windshield wiper blades

Lift the wiper arm off the windshield

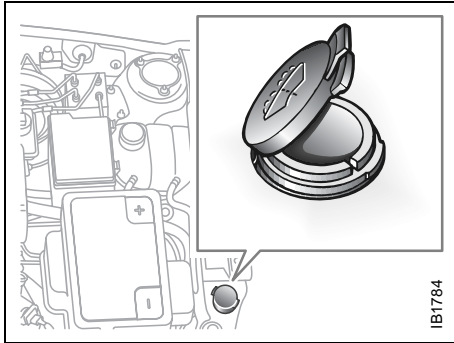
- 1 Depress the catch.
- 2 Pull the complete blade assembly down to free it from the wiper arm, and then lift it off the arm.



*Cleaning/adjusting the washer jets*

### Washer jets

The washer jets can be adjusted and, if necessary, unclogged by means of a pin.



IB1784

Washer-fluid filler cap

## Washers

The washer-fluid reservoir holds 6.4 quarts (6 liters). When

"Washer fluid level low.

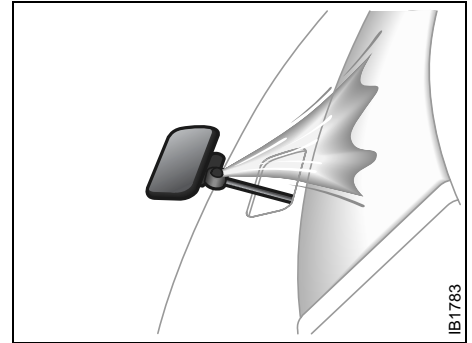
Refill."

comes up on the SID, the reservoir is down to about 1 quart (1 liter) of fluid. Add at least 50 % of washer-fluid to water to prevent freezing and for effective cleaning.



### WARNING

Take care not to spill washer fluid concentrate onto hot surfaces. Washer fluid concentrate contains flammable ingredients such as alcohol.



IB1783

The headlights have high-pressure washers ❄

## Changing bulbs

### WARNING

Before changing a bulb in the engine bay, switch off the engine to avoid danger of fingers and hands being injured by moving parts.

The radiator fan can start up even when the engine is switched off.

**Xenon headlights \* are high voltage and must therefore be changed at a workshop. We recommend that you contact an authorized Saab workshop. Work involving high-voltage components is potentially lethal.**

### NOTICE

- Since the headlight lenses are made of plastic, rinse dried-on dirt with water and allow it time to soften up before cleaning the lenses. Avoid rubbing the lenses when dry and never use solvents.
- Use de-icer spray instead of scraping the ice off.

Check that the new bulb is working when finished.

**Use only "Long Life" bulbs.**

Headlight aiming, see page 250.

### NOTICE

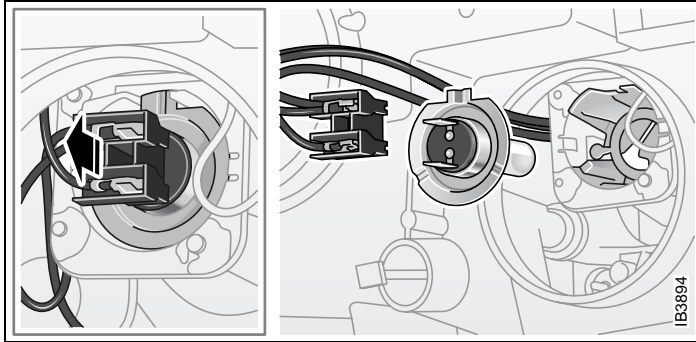
- Do not fit bulbs with a higher rating than 55 W, since the headlight reflector and the wiring of the car are not designed for a higher wattage.
- Switch off the ignition before changing a bulb, to avoid possible short-circuiting.
- Do not touch the glass of the bulbs with your fingers. The oil on your skin can shorten the life of the bulb.

### Xenon headlight \*

Xenon headlights produce roughly twice as much light as halogen bulbs and have a significantly longer service life.

The lamp units consist of a gas discharge lamp containing xenon. When the lights are switched on a very high voltage activates the xenon gas. The lamps soon reach full intensity.

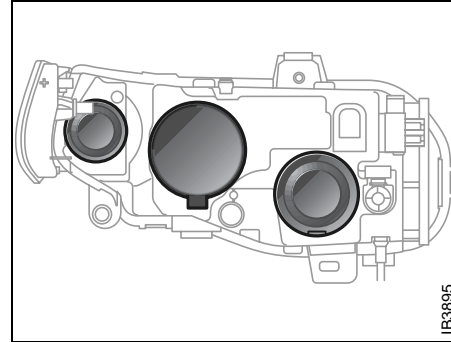
Cars with xenon headlights have automatic levelling. The levelling system comprises two sensors on the front axle, one on the rear axle and a control unit under the headlight housing. Headlight alignment is regulated automatically to prevent dazzling oncoming traffic. Alignment is also adjusted during braking.



### Headlight bulb for high beam (Halogen)

On cars equipped with Xenon lamps the Halogen lamps are used only for high beam flasher if the daytime running lights are deactivated and the headlight switch is in the off position (otherwise Xenon lamp is utilized):

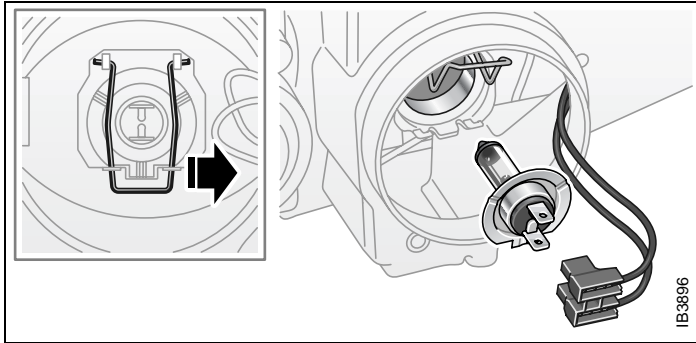
- 1 Remove the cover from the back of the lamp unit. To improve accessibility to the right-hand side, hold back the induction air hose. To improve accessibility to the left-hand side, remove the battery cover. Release the two clips along the long sides of the cover.
- 2 Hold the connector and move the bulb up and down slightly while pulling it out.
- 3 Detach the connector from the bulb.
- 4 Fit the new bulb in the connector without touching the lens with fingers.
- 5 Align and fit the bulb in its guide in the reflector by moving it up and down slightly while pushing it forward.
- 6 Fit the cover.



*The three covers of the headlight.*

*The left-hand cover is for the direction indicator. Replacement of this bulb should be carried out by a workshop. We recommend that you contact an authorized Saab workshop.*





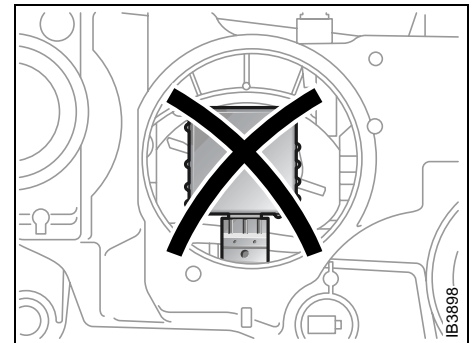
### Low beam bulb \*

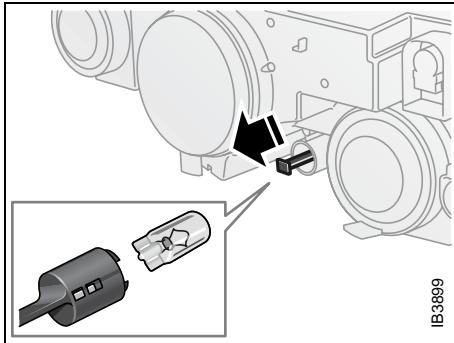
On certain variants the low beam bulb is fitted in the same way as the high beam bulb, without spring clips, see previous page.

### Headlight bulb for low beam (Halogen)

- 1 Take off the cover from the back of the lamp unit. To improve accessibility to the right-hand headlight, hold aside the induction air hose. To improve accessibility to the left-hand headlight, remove the battery cover. Release the two clips along the long sides of the cover.
- 2 Unplug the connector.
- 3 To remove the spring clip, push it in and then move it to the right.
- 4 Remove the bulb.
- 5 Without touching the glass with your fingers, insert the new bulb.
- 6 Line up the bulb with the guide in the reflector and secure it with the spring clip.
- 7 Plug in the connector.
- 8 Fit the cover.

*Contact an authorized Saab workshop if a Xenon headlight requires replacement*



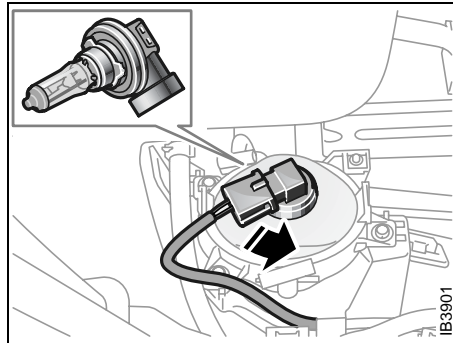


*Parking-light bulb*

### Parking-light bulb

The parking light bulb is situated in the lower edge of the lamp housing. The bulb holder has been extended to facilitate replacement.

- 1 Pull the extended bulb holder straight out.
- 2 Change the bulb.
- 3 Make sure that the O-ring is correctly positioned so as to seal against the lamp housing.  
When the bulb holder is slid in, it does not matter which direction the bulb holder grip is held.



*Front fog lights*

### Front fog lights \*



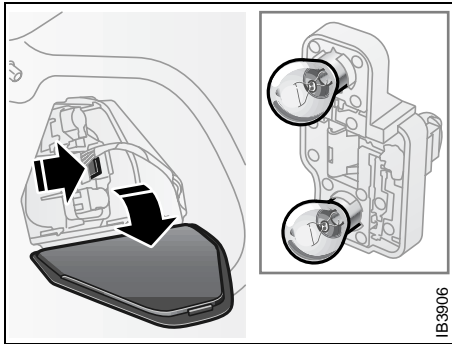
#### WARNING

**Never** crawl under a car that is supported only by a jack. Always use axle stands. Refer to the information on jacks on page 239.

- 1 From under the front bumper, grip the bulb holder and twist counterclockwise.
  - 2 Unplug the connector.
  - 3 Change the bulb.
- Refit in the reverse order.

### Front direction indicator

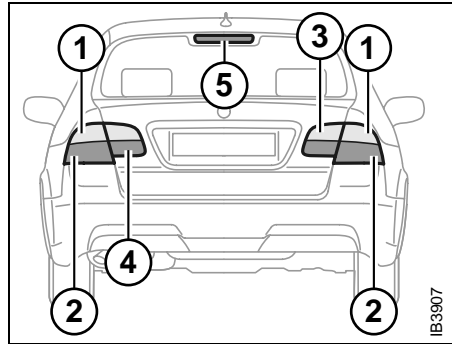
Direction indicator bulb replacement should be carried out by a workshop. We recommend that you contact an authorized Saab dealer.



## Rear light cluster, 9-5 Sedan

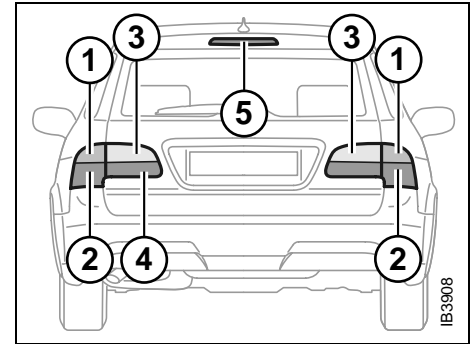
The bulbs for the lamps in the rear light cluster are accessed from the luggage compartment.

- 1 Lower the flap (secured with catches).
- 2 Squeeze the plastic lugs and remove the bulb holder.
- 3 The bulb has a bayonet fitting. Press in the bulb and twist it counterclockwise.
- 4 Change the bulb.



### Rear light clusters, 9-5 Sedan

- 1 Direction indicators
- 2 Stop lights and taillights
- 3 Reversing lights
- 4 Rear fog light
- 5 High-mounted brake light



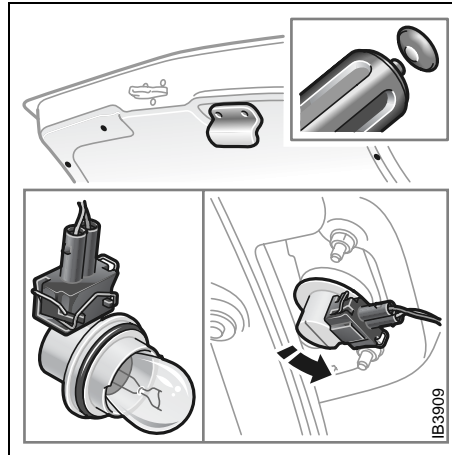
### Rear light clusters, 9-5 SportCombi

- 1 Direction indicators
- 2 Stop lights and taillights
- 3 Reversing lights
- 4 Rear fog light
- 5 High-mounted brake light

## Trunk lid light and taillights, 9-5 Sedan

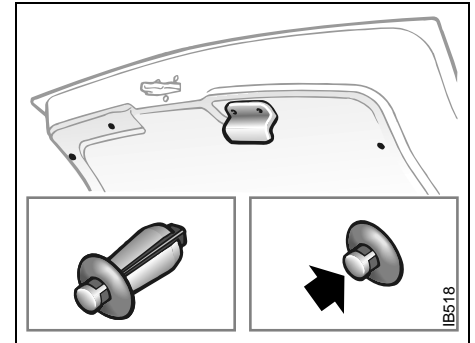
Before changing bulbs in the trunk, you must first release the trim at the foot of the trunk. This involves removing the handle and the three trim fasteners (studs).

- 1 Unscrew the handle on the inside of the tailgate.
- 2 Using the peg in the top of the screw-driver handle, push in the button in the center of the studs.
- 3 Remove the studs.



### Changing bulbs

- 1 Squeeze together the silver plastic lug and the electrical connection and withdraw the lamp holder.
- 2 The bulb has a bayonet fitting. Press in the bulb and twist it counterclockwise.
- 3 Change the bulb.



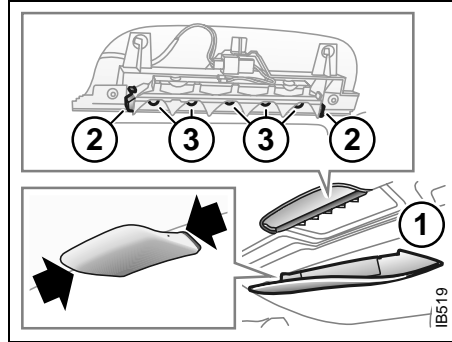
### Refitting the trim

- 1 Reset the studs by pushing back the center buttons so that they protrude by 0.2 inch (5 mm).
- 2 Insert the studs through the trim and tailgate panel. Press the center buttons in, flush with the collar.
- 3 Screw the handle back onto the trunk.

## High-mounted stop lights, 9-5 Sedan

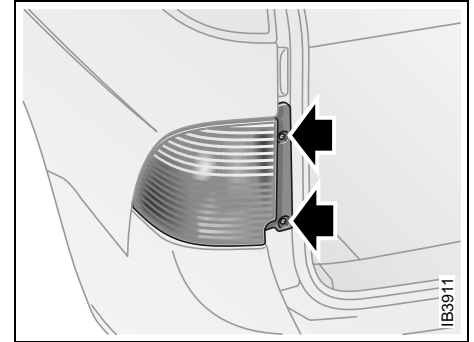
The bulbs can be accessed after the panel in the rear headlining has been removed.

- 1 Remove the panel by carefully pushing in the two clips, one at a time.
- 2 Release the bulb holder, which is retained by a clip at either end.
- 3 Withdraw the bulb gently straight back.
- 4 Push in the new bulb.
- 5 Refit the bulb holder.
- 6 Replace the panel by carefully pushing the panel towards the headlining so that the two clips engage their respective slot.



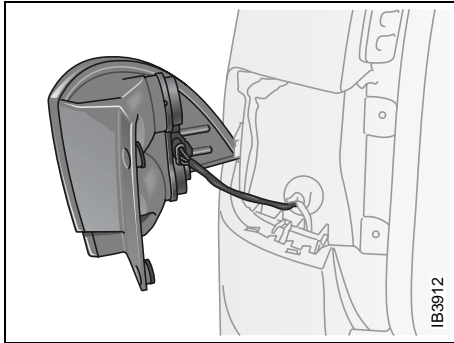
*High-mounted stop lights*

- 1 Panel
- 2 Retaining clips
- 3 Bulbs

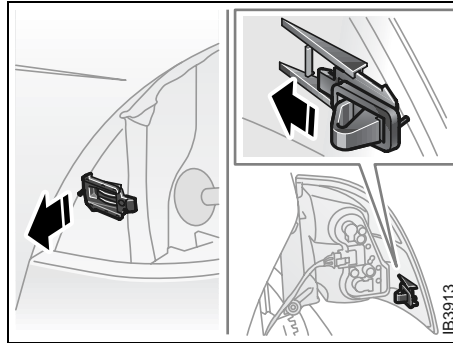


## Rear lights clusters, 9-5 SportCombi

- 1 Open the tailgate.
- 2 Remove the two screws securing the light cluster to the body.



- 3 Remove the two screws securing the light cluster to the body.
- 4 Pull the light cluster rearwards and angle it outwards (it is seated quite firmly).
- 5 Release the fastener from the body. Reinsert the fastener into the groove in the light cluster. Press in the fastener until you hear a click.
- 6 Take out the bulb holder.
- 7 Press in the bulb and twist it counter-clockwise.
- 8 Change the bulb.
- 9 Check that the new bulb works.

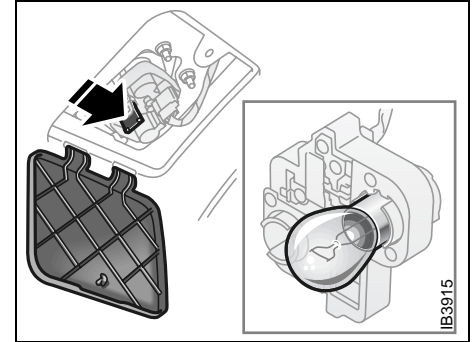
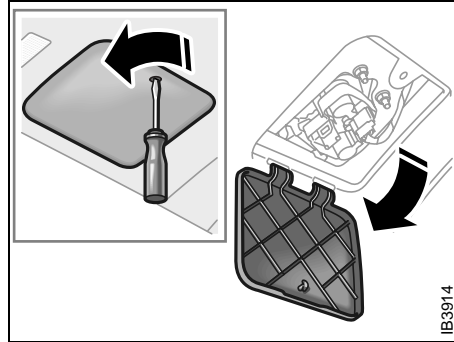


**Reassembly:**

- 1 Align the fastener with the hole in the body.
- 2 Press the lamp unit home into the body until you hear a click.
- 3 Fit the screws.

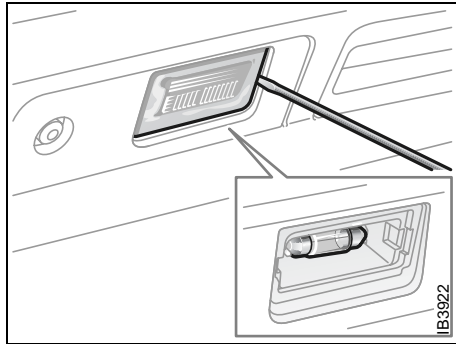
## Tailgate bulbs, 9-5 SportCombi

- 1 Turn the lock a quarter turn (90°) with a screwdriver or the ignition key.
- 2 Open and remove the cover.
- 3 Remove the bulb holder by pressing the plastic lug to the side.
- 4 Press in the bulb and twist it counterclockwise.
- 5 Change the bulb.
- 6 Check that the new bulb is working.



### Reassembly:

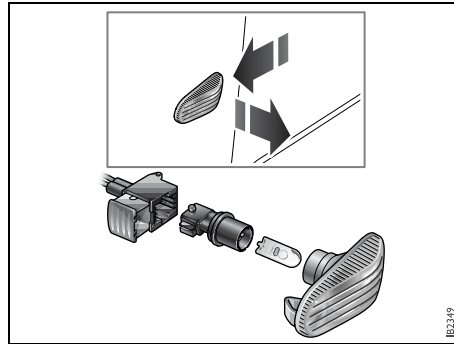
- 1 Place the two "hinges" in the recess in the tailgate.
- 2 Then push the "hinges" into the recess and close the cover.
- 3 Turn the lock a quarter turn.



### License-plate light

The lens is not screwed in place. It is held in place with snaps.

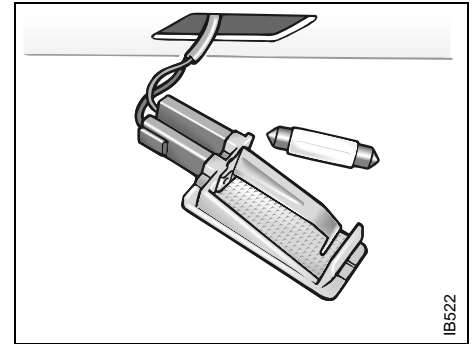
- 1 One of the short sides of the lens contains a recess for a small screwdriver. Insert a screwdriver and prise out the lens.
- 2 Fit the new bulb.
- 3 When refitting the lens, the short side without the screwdriver recess should be inserted first.



### Side direction indicators

- 1 Slide the lamp fitting forward and pull out the back.
- 2 Remove the bulb.
- 3 Change the bulb.

On refitting, make sure that the spring in the lamp fitting engages the edge of the opening in the body panel.

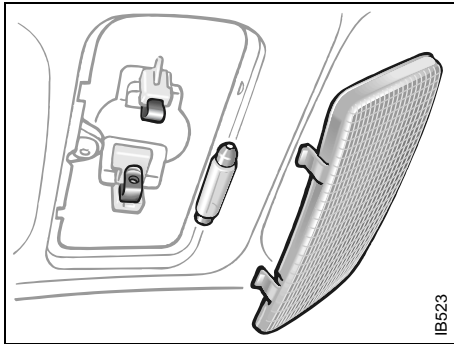


### Courtesy lights (front doors and floor) and luggage-compartment lighting

- 1 Insert a screwdriver carefully into the slot in the end of the lamp fitting. Ease the fitting off to gain access to the bulb.
- 2 Bend out one of the contacts and remove the bulb.
- 3 Change the bulb.

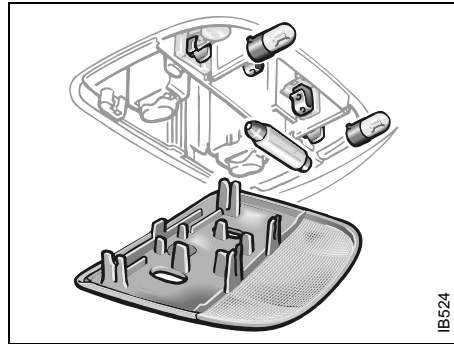
On refitting, insert the connector-end of the lamp fitting first.





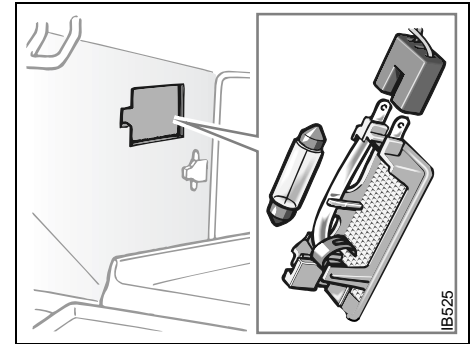
### Dome light, front

- 1 Ease the leading edge of the glass out of the overhead panel.
- 2 Release one of the contacts and remove the bulb.
- 3 Fit the new bulb.



### Dome light, rear

- 1 Remove the entire overhead panel: ease out the trailing end first, and then both front edges.
- 2 Fit the new bulb.



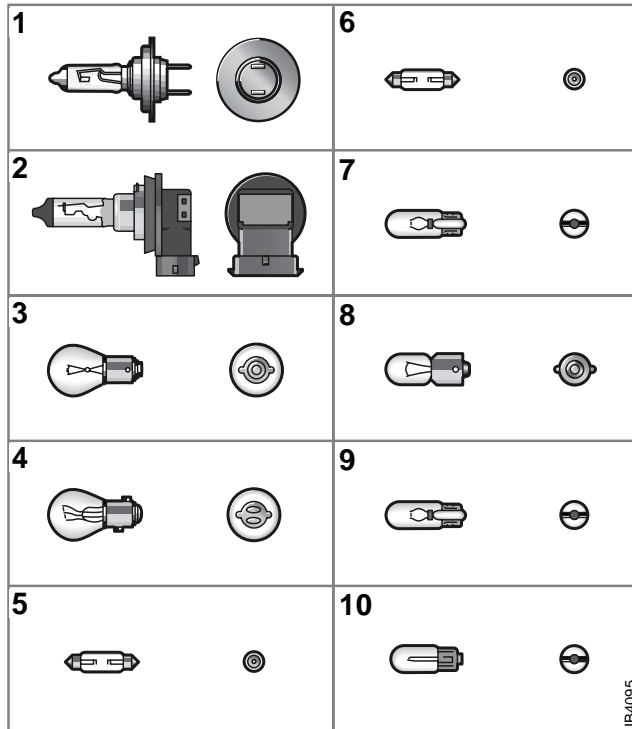
### Glove-compartment illumination

- 1 Insert a small screwdriver in the slot in the end of the lamp fitting and ease it out to gain access to the bulb.
- 2 Bend out one of the contacts and remove the bulb.
- 3 Fit the new bulb.

On refitting, insert the connector-end of the lamp fitting first.

### Other bulbs

If any other bulbs need changing, you are advised to take the car to a workshop. We recommend that you contact an authorized Saab dealer.



1B4095

### Bulb table

#	Cap	Wattage	
1	H7	55	Headlight
2	H8	35	Fog light
3	P21W	21	Reversing lamp; rear fog lamp; rear direction indicator
4	P21/5W	21/5	Stop/tail lamp
5	R10W	10	Dome light; courtesy lights; glove compartment; luggage compartment
6	R5W	5	Safety belt reminder; license-plate lighting
7	Xenon w9U	6	Reading light, overhead panel
8	T4W	4	Reading light, rear
9	WY5W/ W5W	5	Side indicators (yellow);/ high-mounted stop light (9-5 Sedan); parking lights
10	W2W	1.2	Switches

#### NOTICE

Only fit lamps of the specified rating. Lamps of the wrong wattage could damage the wiring harness and electronics.

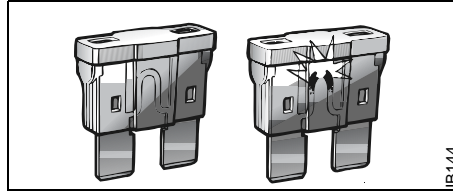
A special kit containing spare bulbs and fuses is available as an accessory from your Saab dealer. A storage space for this is provided adjacent to the toolkit and jack, under the panel in the luggage compartment.

# Fuses

**⚠ WARNING**

To avoid the risk of short-circuiting and/or fire breaking out in the electrical system, the following advice should be heeded:

- Always consult a workshop before modifying or adding any electrical equipment. We recommend that you contact an authorized Saab dealer. Failure to do so can result in the electrical system being damaged.
- Never replace a fuse with one having a higher/lower rating than specified (see page 221). The color of the fuse indicates its amperage.
- If the same fuse blows repeatedly, have the electrical system checked by a workshop. We recommend that you contact an authorized Saab dealer.
- If a MAXI fuse blows, it means that there is a major fault in the electrical system. Have the car checked by a workshop. We recommend that you contact an authorized Saab dealer.

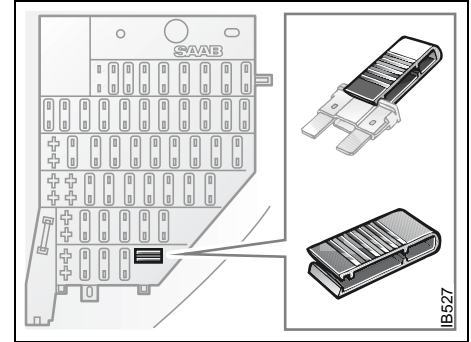


*Sound fuse / Blown fuse*

The fuses are housed in two fuse panels: one at the end of the instrument panel on the driver's side, and one under the hood.

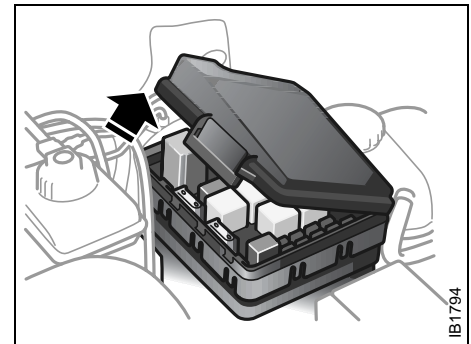
To check if a fuse has blown, first remove it from the panel (see below). If the filament is broken, the fuse has blown.

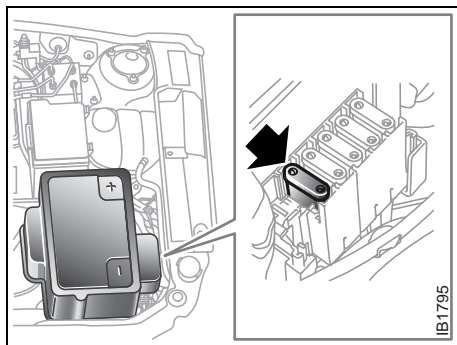
A special tool for removing fuses is provided at the bottom of the fuse panel at the end of the instrument panel. Simply push the tool onto the fuse, squeeze and remove the fuse.



*Fuse panel in instrument panel*

*Fuse box under the hood*





*Maxi fuses under the hood*

## Maxi fuses

The Maxi fuses are housed in the fuse box under the hood. These fuses can be checked in the same way as the other fuses. The Maxi fuses are designed to protect the car's electrical system from being damaged. Each Maxi fuse protects a number of electrical circuits and functions and therefore has a higher rating (amperage) than the standard fuses. No spare Maxi fuses are supplied with the car.

### NOTICE

If a Maxi fuse blows, it means that there is a major fault in the electrical system. Have the car checked without delay by a workshop. We recommend that you contact an authorized Saab dealer.

## DICE / TWICE

DICE = Dashboard Integrated Central Electronics

TWICE = Theft-Warning Central Electronics

DICE and TWICE are electronic control modules that monitor and control a variety of functions:

DICE controls (among other things):

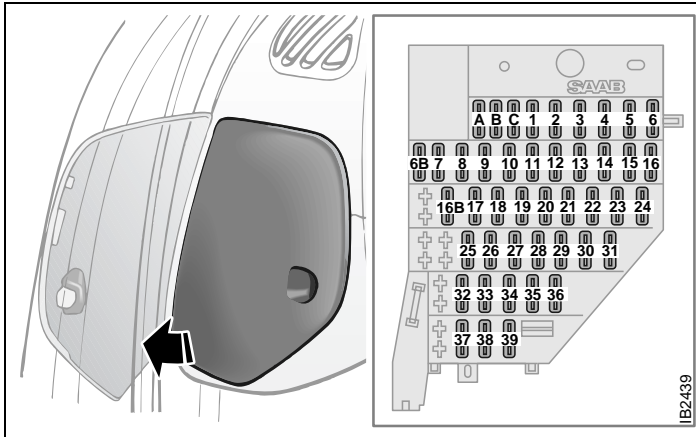
- Front lights and interior lighting
- Instrument illumination
- Intermittent wiper operation
- Electric heating of rear window and door mirrors
- Cooling fans

TWICE controls (among other things):

- Central locking.
- Car alarm (Anti-theft system)
- Engine immobilizer
- Autochecking of lights.
- Electric heating of rear seat
- Safety belt reminder
- Electrically adjustable passenger seat

The DICE and TWICE control modules are linked to a data bus, which is basically an information carrier that allows information to be exchanged between all the control modules and components connected to the bus. If a fault occurs in any of these components, diagnostic faults codes are set in the relevant control module, which facilitates fault diagnosis. We recommend that you contact an authorized Saab dealer.

The scan tool connector for fault diagnosis is located under the instrument panel on the drivers side.

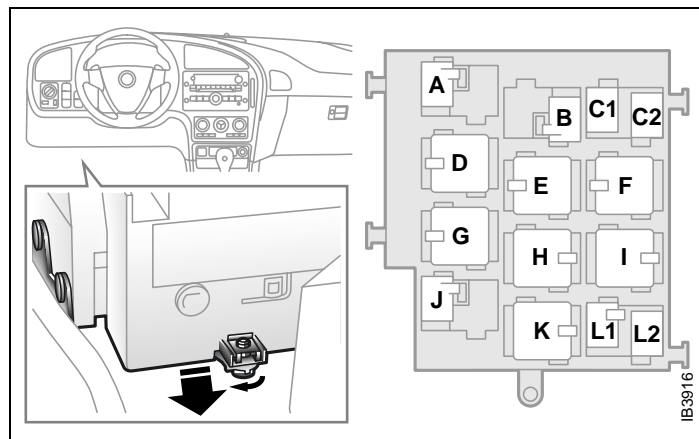


### Fuse panel in instrument panel

#	Amp	Function
A	30	Trailer lights
B	10	Automatic transmission
C	7.5	Electric door mirrors; DICE: manual beam length adjustment *
1	15	Brake lights; Park Brake Shift Lock (cars with automatic transmission)
2	15	Reversing lights
3	10	Parking lights and taillights, left
4	10	Parking lights and taillights, right
5	7.5	DICE / TWICE
6	30	Electric windows, right; trailer charging

6B	7.5	Brake lights, trailer
7	10	Engine injectors
8	15	Trunk lighting; trunk lock; door lighting; parking assistant *; SID
9	15	Audio System; CD changer *
10	15	Heating, rear seat *; moonroof *, remote control receiver
11	30	Electrically adjusted passenger seat *
12	7.5	Automatic transmission *
13	20	Audio System, amplifier
14	30	Ignition system, engine
15	20	Fuel pump
16	20	DICE (direction indicators)
16B	-	OnStar *
17	20	Engine-management system; main instrument; DICE/TWICE
18	40	Door-mirror heating; rear-window heating
19	10	OnStar *, Telematics *
20	15	ACC; interior lighting; rear fog light; high beam flasher
21	10	Audio System; rear-view mirror; load angle sensor *; navigation *; Cruise Control *
22	40	Interior fan
23	15	Central locking; navigation *; door mirror memory *
24	20	Main light switch
25	30	Electrically adjustable driver's seat

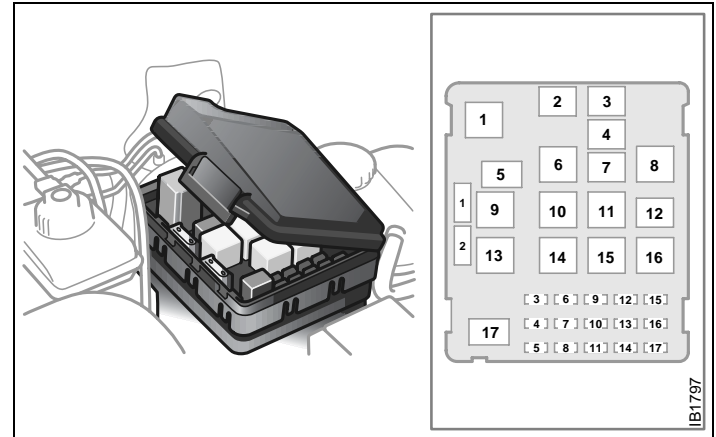
26	7,5	Driver seat memory *; mirrors memory *; moonroof *; parking assistant *; seatbelt reminder; ACC
27	10	Engine-management system; SID; main instrument
28	7.5	Airbag
29	7.5	ABS/ESP
30	7.5	Starter motor; transmission control module (cars with automatic transmission)
31	7.5	Cruise control *; water valve; fog lights, front *; rain sensor *
32	-	-
33	7.5	Direction-indicator switch
34	30	12-volt socket (cigarette lighter) front/rear
35	15	Daytime running light
36	30	Electric windows, left
37	30	Windshield wipers
38	30	Electric heating, front seats *
39	20	Limp-home solenoid



### Relay panel under instrument panel

#	Function
A	-
B	Electric heating of rear seat
C1	-
C2	-
D	-
E	Main relay (engine management system)
F	-
G	Fuel pump
H	Ignition switch
I	Rear-window / door mirrors heating

J	–
K	Starter relay
L1	Limp-home function
L2	–



## Fuse box under hood

### Fuses

#	Amp	Function
1	40	Radiator fan, high speed
2	40	ABS/ESP
3	30	ABS/ESP
4	7.5	Load angle sensor (cars with xenon headlights)
5	15	Heater
6	10	A/C; car alarm siren
7	15	Bulb test
8	–	–
9	20	Headlight washers

## 224 Car care and technical information

10	15	High beam headlight, left
11	15	Low beam headlight left
12	15	High beam headlight, right
13	15	Low beam headlight, right
14	30	Radiator fan, high speed
15	15	Fog lights (front spoiler)
16	20	Wiper, rear
17	15	Horn
18	–	–

### Relays

#	Function
1	Bulb test; head light; high beam flasher
2	Headlight washer
3	Front fog lights
4	Wiper, rear (9-5 SportCombi)
5	–
6	–
7	Rain sensor
8	Radiator fan, low speed
9	Radiator fan, high speed
10	A/C-compressor
11	Radiator fan, high speed, right fan
12	Horn
13	Extra lights (accessory)
14	High beam headlight
15	Low beam headlight
16	–
17	Windshield wipers



## Tires

Your new vehicle comes with high-quality tires made by a leading tire manufacturer. If you ever have questions about your tire warranty and where to obtain service, see your Saab Warranty and Service Record Booklet for details.



### WARNING

Poorly maintained and improperly used tires are dangerous.

- Overloading your tires can cause overheating as a result of too much friction. You could have a blow-out and a serious accident. See "Loading Your Vehicle" on page 234.
- Underinflated tires pose the same danger as overloaded tires. The resulting accident could cause serious injury. Check all tires frequently to maintain the recommended pressure. Tire pressure should be checked when your tires are cold.
- Overinflated tires are more likely to be cut, punctured or broken by a sudden impact – such as when you hit a pothole. Keep tires at the recommended pressure.
- Worn, old tires can cause accidents. If your tread is badly worn, or if your tires have been damaged, replace them.

## Inflation - Tire Pressure

The Tire-Loading Information label shows the correct inflation pressures for your tires when they're cold. "Cold" means your vehicle has been sitting for at least three hours or driven no more than 1 mile (1.6 km).

**Notice: Don't let anyone tell you that underinflation or overinflation is all right. It's not. If your tires don't have enough air (underinflation), you can get the following:**

- Too much flexing
- Too much heat
- Tire overloading
- Bad wear
- Bad handling
- Bad fuel economy

**If your tires have too much air (overinflation), you can get the following:**

- Unusual wear
- Bad handling
- Rough ride

**Needless damage from road hazards**

Adjust the tire pressure to match the current load and speed of the car (see page 269). The stated tire pressures apply to cold tires, i.e. tires that are the same temperature as the outside air temperature. Tire pressure increases as the tires become warm (e.g. during highway driving) by approximately 0.3 bar (4 psi). When the temperature of the tires changes by 50°F (10°C), the tire pressure will change 0.1 bar (2 psi).

Never reduce the pressure of a hot tire. If the tires are hot when you check them, only increase the pressure, if necessary.

## High speed operation

### WARNING

Driving at high speeds, 100 mph (160 km/h) or higher, puts an additional strain on tires.

Sustained high-speed driving causes excessive heat build up and can cause sudden tire failure. You could have a crash and you or others could be killed. Some high-speed rated tires require inflation pressure adjustment for high speed operation. When speed limits and road conditions are such that a vehicle can be driven at high speeds, make sure the tires are rated for high speed operation, in excellent condition, and set to the correct cold tire inflation pressure for the vehicle load.

## When to check

Check your tires once a month or more. Don't forget your compact spare tire. It should be at 60 psi (420 kPa).

## How to Check

Use a good quality pocket-type gauge to check tire pressure. You can't tell if your tires are properly inflated simply by looking at them. Radial tires may look properly inflated even when they're underinflated.

Be sure to put the valve caps back on the valve stems. They help prevent leaks by keeping out dirt and moisture.

## Tire Inspection and Rotation

Tires should be rotated every 10,000 miles (16 000 km).

Any time you notice unusual wear, rotate your tires as soon as possible and check wheel alignment. Also check for damaged tires or wheels. See "When It Is Time for New Tires" on page 227 and "Wheel Replacement" on page 230 for more information.

The purpose of regular rotation is to achieve more uniform wear for all tires on the vehicle. The first rotation is the most important.

When rotating your tires, always use the correct rotation pattern. Left front tire to left rear. Left rear tire to right front. Right front to right rear. Right rear to left front.

Don't include the compact spare tire in your tire rotation.

After the tires have been rotated, adjust the front and rear inflation pressures as shown on the Tire-Loading Information label. Make certain that all wheel nuts are properly tightened. See page 241.

### WARNING

Rust or dirt on a wheel, or on the parts to which it is fastened, can make wheel nuts become loose after a time. The wheel could come off and cause an accident. When you change a wheel, remove any rust or dirt from places where the wheel attaches to the vehicle. In an emergency, you can use a cloth or a paper towel to do this; but be sure to use a scraper or wire brush later, if you need to, to get all the rust or dirt off. See "Changing a wheel" on page 239.

## Flat spotting

All tires get hot, especially on long journeys or when the car is driven hard. After the car has been parked with hot tires and the tires have cooled down, a flat spot can form in the tire, where it is in contact with the ground. The same can occur if the car has not been moved for a long time.

Flat spots can cause vibration that can be felt through the steering wheel, similar to that experienced when the wheels need balancing.

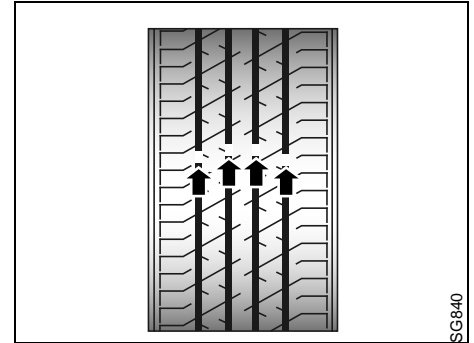
Flat spots of this type disappear once the tires get hot again, usually after 10–15 miles (20–25 km) of driving at cruising speed.

## When It Is Time for New Tires

One way to tell when it's time for new tires is to check the treadwear indicators, which will appear when your tires have only 1/16 inch (1.6 mm) or less of tread remaining.

You need a new tire if any of the following statements are true:

- You can see the indicators at three or more places around the tire.
- You can see cord or fabric showing through the tire's rubber.
- The tread or sidewall is cracked, cut or snagged deep enough to show cord or fabric.
- The tire has a bump, bulge or split.
- The tire has a puncture, cut or other damage that can't be repaired well because of the size or location of the damage.



*Wear indicators*

## Treadwear indicators

The tires incorporate wear indicators in the form of smooth, treadless strips across the width, which become visible when only 2/32" (1.6 mm) of tread remains. As soon as the indicators become visible, new tires should be fitted without delay.

**Make sure you are familiar with the legal limit for minimum tread depth in your country and also any regulations governing the use of winter (snow) tires.**

## Buying New Tires

To find out what kind and size of tires you need, look at the Tire-Loading Information label.

If you wish to fit other tires or wheels than those supplied with the car, consult your Saab dealer first as to the possibilities available.

Wheels/tires combinations that are not approved by the vehicle manufacturer can negatively affect the car's directional stability, steering and braking in both wet and dry conditions.

The wheels and tires have been carefully matched to the characteristics of the car and play a key role in its outstanding roadholding and handling.

Do not take it for granted that a wheel/tire combination will work in the best possible way, just because it can be fitted to the car.

To ensure that the speedometer is as accurate as possible it should be reprogrammed if wheels of a different dimension are fitted. Contact a Saab dealer.

Because of front wheel drive, the front tires tend to wear faster than the rear ones. New tires should always be fitted in pairs, so that tires on the same axle have the same amount of tread.

Store wheels lying flat or hanging – **never** standing upright.

### NOTICE

**Always** consult your Saab dealer before changing the wheels and tires on your Saab.

Wide wheels and tires with sidewalls that are too low can:

- be damaged in potholes etc.
- cause springs, shock absorbers and wheel bearings and body mountings can be overloaded.
- cause the wheels to come into contact with chassis and body components.
- can affect the function of the Electronic Stability Program (ESP).

The speed and load limits for the tires must not be exceeded; see page 233.

Wheels larger than 17" must not be fitted. The maximum permissible offset is 49 mm.



### WARNING

Mixing tires could cause you to lose control while driving. If you mix tires of different sizes or types (radial and bias-belted tires), the vehicle may not handle properly, and you could have a crash. Using tires of different sizes may also cause damage to your vehicle. Be sure to use the same size and type tires on all wheels. It's all right to drive with your compact spare temporarily, it was developed for use on your vehicle. See "Compact spare tire" on page 237.



### WARNING

If you use bias-ply tires on your vehicle, the wheel rim flanges could develop cracks after many miles of driving. A tire and/or wheel could fail suddenly, causing a crash. Use only radial-ply tires with the wheels on your vehicle.

## Uniform Tire Quality Grading

Quality grades can be found where applicable on the tire sidewall between tread shoulder and maximum section width. For example:

### Treadwear 200 Traction AA Temperature A

The following information relates to the system developed by the United States National Highway Traffic Safety Administration, which grades tires by treadwear, traction and temperature performance. (This applies only to vehicles sold in the United States.) The grades are molded on the sidewalls of most passenger car tires. The Uniform Tire Quality Grading system does not apply to deep tread, winter-type snow tires, space-saver or temporary use spare tires, tires with nominal rim diameters of 10 to 12 inches (25 to 30 cm), or to some limited-production tires.

While the tires available on General Motors passenger cars and light trucks may vary with respect to these grades, they must also conform to federal safety requirements and additional General Motors Tire Performance Criteria (TPC) standards.

### Treadwear

The treadwear grade is a comparative rating based on the wear rate of the tire when tested under controlled conditions on a specified government test course. For example, a tire graded 150 would wear one and a half (1.5) times as well on the government course as a tire graded 100. The relative performance of tires depends upon the actual conditions of their use, however, and may depart significantly from the norm due to variations in driving habits, service practices and differences in road characteristics and climate.

### Traction – AA, A, B, C

The traction grades, from highest to lowest, are AA, A, B, and C. Those grades represent the tire's ability to stop on wet pavement as measured under controlled conditions on specified government test surfaces of asphalt and concrete. A tire marked C may have poor traction performance. Warning: The traction grade assigned to this tire is based on straight-ahead braking traction tests, and does not include acceleration, cornering, hydroplaning, or peak traction characteristics.

### Temperature – A, B, C

The temperature grades are A (the highest), B, and C, representing the tire's resistance to the generation of heat and its ability to dissipate heat when tested under controlled conditions on a specified indoor laboratory test wheel. Sustained high temperature can cause the material of the tire to degenerate and reduce tire life, and excessive temperature can lead to sudden tire failure. The grade C corresponds to a level of performance which all passenger car tires must meet under the Federal Motor Vehicle Safety Standard No. 109. Grades B and A represent higher levels of performance on the laboratory test wheel than the minimum required by law.

Warning: The temperature grade for this tire is established for a tire that is properly inflated and not overloaded. Excessive speed, underinflation, or excessive loading, either separately or in combination, can cause heat buildup and possible tire failure.

**Wheel Alignment and Tire Balance**

The wheels on your vehicle were aligned and balanced carefully at the factory to give you the longest tire life and best overall performance.

Scheduled wheel alignment and wheel balancing are not needed. However, if you notice unusual tire wear or your vehicle pulling one way or the other, the alignment may need to be reset. If you notice your vehicle vibrating when driving on a smooth road, your wheels may need to be rebalanced.

**Wheel Replacement**

Replace any wheel that is bent, cracked or badly rusted or corroded. If wheel nuts keep coming loose, the wheel, wheel bolts and wheel nuts should be replaced. If the wheel leaks air, replace it (except some aluminum wheels, which can sometimes be repaired). See your dealer if any of these conditions exist.

Your dealer will know the kind of wheel you need.

Each new wheel should have the same load-carrying capacity, diameter, width, offset and be mounted the same way as the one it replaces.

If you need to replace any of your wheels, wheel bolts or wheel nuts, replace them only with new Saab original equipment parts. This way, you will be sure to have the right wheel, wheel bolts and wheel nuts for your vehicle.

Make sure tires with Tire Pressure Monitors are fitted as replacement tires on cars with this system.

 **WARNING**

Using the wrong replacement wheels, wheel bolts or wheel nuts on your vehicle can be dangerous. It could affect the braking and handling of your vehicle, make your tires lose air and make you lose control. You could have a collision in which you or others could be injured. Always use the correct wheel, wheel bolts and wheel nuts for replacement.

**Notice: The wrong wheel can also cause problems with bearing life, brake cooling, speedometer or odometer calibration, headlamp aim, bumper height, vehicle ground clearance and tire or tire chain clearance to the body and chassis.** See "Changing a wheel" on page 239.

 **WARNING**

When fitting just **one** new pair of tires, these should be fitted to the rear wheels, as these are more critical to the directional stability of the car (e.g. on braking or in a skid). The existing rear wheels should therefore be moved to the front.

**Used Replacement Wheels**
 **WARNING**

Putting a used wheel on your vehicle is dangerous. You can't know how it's been used or how far it's been driven. It could fail suddenly and cause a crash. If you have to replace a wheel, use a new GM original equipment wheel.

## Tire Chains



### WARNING

If your vehicle has 225/45 R17 alt. 235/45 R17 size tires, don't use tire chains, there's not enough clearance.

Tire chains used on a vehicle without the proper amount of clearance can cause damage to the brakes, suspension or other vehicle parts. The area damaged by the tire chains could cause you to lose control of your vehicle and you or others may be injured in a crash.

Use another type of traction device only if its manufacturer recommends it for use on your vehicle and tire size combination and road conditions. Follow that manufacturer's instructions. To help avoid damage to your vehicle, drive slowly, readjust or remove the device if it's contacting your vehicle, and don't spin your wheels.

If you do find traction devices that will fit, install them on the front tires.

**Notice:** If your vehicle does not have 225/45R17 alt. 235/45 R17 size tires, use tire chains only where legal and only when you must. Contact your Saab dealer regarding suitable snow chains. Install them on the front tires and tighten them as tightly as possible with the ends securely fastened. Drive slowly and follow the chain manufacturer's instructions. If you can hear the chains contacting your vehicle, stop and retighten them. If the contact continues, slow down until it stops. Driving too fast or spinning the wheels with chains on will damage your vehicle.

### If a Tire Goes Flat

It's unusual for a tire to "blow-out" while you're driving, especially if you maintain your tires properly. If air goes out of a tire, it's much more likely to leak out slowly. But if you should ever have a "blow-out", here are a few tips about what to expect and what to do:

If a front tire fails, the flat tire will create a drag that pulls the vehicle toward that side. Take your foot off the accelerator pedal and grip the steering wheel firmly. Steer to maintain lane position, and then gently brake to a stop well out of the traffic lane.

A rear blow-out, particularly on a curve, acts much like a skid and may require the same correction you'd use in a skid. In any rear blowout, remove your foot from the accelerator pedal. Get the vehicle under control by steering the way you want the vehicle to go. It may be very bumpy and noisy, but you can still steer. Gently brake to a stop – well off the road if possible.

If a tire goes flat, the next part shows how to use your jacking equipment to change a flat tire safely.

## Tire Sidewall Labeling

Useful information about a tire is molded into it's sidewall.

**Tire size:** The tire size is a combination of letters and numbers used to define a particular tire's width, height, aspect ratio, construction type and service description.

**Department of Transportation (DOT):** The Department of Transportation (DOT) code indicates that the tire is in compliance with the U.S. Department of Transportation Motor Vehicle Safety standards.

**Tire Identification Number (TIN):** The letters and numbers following DOT code are the Tire Identification Number (TIN). The TIN shows the manufacturer and plant code, tire size, and date the tire was manufactured. The TIN is molded onto both sides of the tire.

**Tire Ply Material:** The type of cord and number of plies in the sidewall and under the tread.

## Uniform Tire Quality Grading (UTQG):

Tire manufacturers are required to grade tires based on performance factors: treadwear, traction and temperature resistance. For more information see "Uniform Tire Quality Grading" on page 229.

**Maximum Cold Inflation Load Limit:** Maximum load that can be carried and the maximum pressure needed to support that load. For information on recommended tire pressure see "Lowest recommended tire pressure, cold tires" on page 269 and "Loading Your Vehicle" on page 234.

## Tire Size

The following illustration shows an example of a typical passenger car tire size.

<b>215</b>	<b>/</b>	<b>55</b>	<b>R</b>	<b>16</b>	<b>93</b>	<b>H</b>
a	b	c	d	e	f	

- a Tire Width
- b Aspect Ratio
- c Belt Rating
- d Rim diameter
- e Load range
- f Speed rating

**Tire Width:** The three-digit number indicates the tire section width in millimeters from sidewall to sidewall.



**Aspect ratio:** A two-digit number that indicates the tire height-to-width measurements. For example, if the tire size aspect ratio is "55", as shown in item "C" of the illustration, it would mean that the tire's sidewall is 55% as high as it is wide.

**Belt Rating:** A letter code is used to indicate the type of ply construction in the tire. The letter "R" means radial ply construction; the letter "D" means diagonal or bias ply construction; and the letter "B" means belted-bias ply construction.

**Rim Diameter:** Diameter of the wheel in inches.

**Load range:** The load range represents the load carry capacity a tire is certified to carry.

**Speed Rating:** The maximum speed that a tire is certified to carry a load. Speed ratings range from "A" to "Z".

### Tire markings

An example of the meaning of the different markings in a tire size is given below for a tire size of:  
215/55 R16 93 V

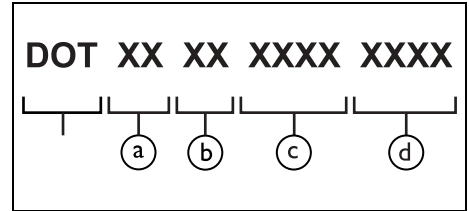
- 215 Tire section width, mm
- 55 Aspect ratio, i.e. the section height is 55 % of the section width
- R Radial ply
- 16 Wheel rim diameter 16 in at bead seats
- 93 Tire load code
- V Speed marking

#### Tire load index

- 91 Tire approved for max. 1355 lbs. (615 kg)
- 93 Max. 1433 lbs (650 kg)
- 94 Max. 1477 lbs (670 kg)

#### Speed ratings

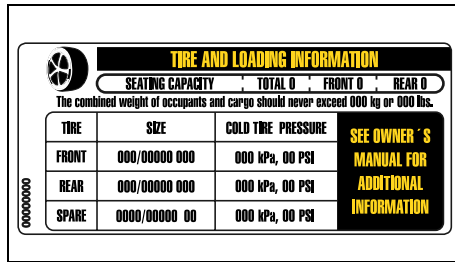
- Q Tire approved for speeds up to 100 mph (160 km/h)
- S Max. 112 mph (180 km/h)
- T Max. 118 mph (190 km/h)
- H Max. 130 mph (210 km/h)
- V Max. 150 mph (240 km/h)
- W Max. 167 mph (270 km/h)
- Y Max. 186 mph (300 km/h)



*TIN-code*

- a Manufacturer's Identification Mark
- b Tire Size
- c Tire Type Code
- d Date of Manufacture

## Loading Your Vehicle



*This label can only be found on vehicles sold in the U.S.*

*Vehicles sold in Canada have the tire information label in the glovebox, see page 270.*

This is an example of what your vehicle's Tire-Loading Information/Certification label might look like. It is located on the B-pillar and shows how much weight your vehicle may properly carry. The label tells you the proper size, and recommended inflation pressures for the tires on your vehicle. It also gives you important information about the number of people that can be in your vehicle and the total weight that you can carry. This weight is called the Vehicle Capacity Weight, and includes the weight of all occupants, cargo and all nonfactory-installed options.

## Tire Terminology and Definitions

**Air Pressure:** The amount of air inside the tire pressing outward on each square inch of the tire. Air pressure is expressed in pounds per square inch (psi) or kilopascal (kPa).

**Accessory Weight:** This means the combined weight of optional accessories, for example, automatic transmission, power steering, power brakes, power windows, power seats, radio and air conditioning.

**Aspect Ratio:** The relationship of a tire's height to its width.

**Belt:** A rubber coated layer of cords that is located between the plies and the tread. Cords may be made from steel or other reinforcing materials.

**Bias Ply Tire:** A pneumatic tire in which the ply cords that extend to the beads are laid at alternate angles substantially less than 90 degrees to the centerline of the tread.

**Cold Inflation Pressure:** The amount of air pressure in a tire, measured in pounds per square inch (psi) or kilopascal (kPa), before a tire has built up heat from driving. See "Inflation - Tire Pressure" on page 225.

**Curb weight:** This means the weight of a motor vehicle with standard and optional equipment including the maximum capacity of fuel, oil and coolant, without passengers and cargo.

**DOT Markings:** A code molded into the sidewall of a tire signifying that the tire is in compliance with the U.S. Department of Transportation motor vehicle safety standards. The DOT code includes the Tire Identification Number (TIN), an alphanumeric designator which can also identify the tire manufacturer, production plant, brand and date of production.

**GVWR:** Gross Vehicle Weight Rating see "Loading Your Vehicle" on page 234.

**GAWR FRT:** Gross Axle Weight Rating for the front axle, see "Loading Your Vehicle" on page 234.

**GAWR RR:** Gross Axle Weight Rating for the rear axle, see "Loading Your Vehicle" on page 234.

**Intended Outboard Sidewall:** The side of an asymmetrical tire that must always face outward when mounted on a vehicle.

**Kilopascal (kPa):** The metric unit for air pressure. There are 6.9 kPa to one psi.

**Light Truck (LT-Metric) Tire:** A tire used on light duty trucks and some multipurpose passenger vehicles.

**Load Index:** An assigned number ranging from 1 to 279 that corresponds to the load carrying capacity of a tire.

**Maximum Load rating:** The load rating for a tire at the maximum permissible inflation pressure for that tire.

**Maximum Loaded Vehicle Weight:** The sum of curb weight; accessory weight; vehicle capacity weight; and production options weight.

**Maximum Permissible Inflation Pressure:** The maximum cold inflation pressure to which a tire may be inflated.

**Normal occupant weight:** The number of occupants a vehicle is designed to seat multiplied by 150 pounds (68 kg). See "Loading Your Vehicle" on page 234.

**Occupant Distribution:** Designated seating positions.

**Outward Facing Sidewall:** The side of a asymmetrical tire that has a particular side that faces outward when mounted on a vehicle. The side of the tire that contains a white-wall bears white lettering or bears manufacturer, brand and or model name molding on the other sidewall of the tire.

**Passenger (P-Metric) Tire:** A tire used on passenger cars and some light duty trucks and multipurpose vehicles.

**Recommended Inflation Pressure:** Vehicle manufacturer's recommended tire inflation pressure shown on the tire label, see "Inflation - Tire Pressure" on page 225 and "Loading Your Vehicle" on page 234.

**Radial Ply Tire:** A pneumatic tire in which the ply cords that extend to the beads are laid at substantially 90 degrees to the centerline of the tread.

**Rim:** A metal support for a tire or a tire and tube assembly upon which the tire beads are seated.

**Sidewall:** The portion of a tire between the tread and the bead.

**Speed rating:** An alphanumeric code assigned to a tire indicating the maximum speed at which a tire can operate.

**Traction:** The friction between the tire and the road surface. The amount of grip provided.

**Treadwear Indicators:** Narrow bands, sometimes called "wear bars", that show across the tread of a tire when only 2/32 inch of tread remains. See "When It Is Time for New Tires" on page 227.

**Tread Width:** The width of the tire's tread.

**UTQGS:** Uniform Tire Quality Grade Standards, a tire information system that provides consumers with ratings for a tire's traction, temperature and treadwear. Ratings are determined by tire manufacturers using government testing procedures. The rating are molded into the sidewall of the tire. See "Uniform Tire Quality Grading" on page 229.

**Vehicle Capacity Weight:** Is the number of designated seating positions multiplied by 150 pounds (68 kg) plus the rated cargo load. See "Loading Your Vehicle" on page 234.

**Vehicle Maximum Load on the Tire:** Load on an individual tire due to curb weight, accessory weight, occupant weight and cargo weight.

**Vehicle label:** A label permanently attached to a vehicle showing original equipment tire size and the recommended cold inflation pressure. See "Loading Your Vehicle" on page 234.

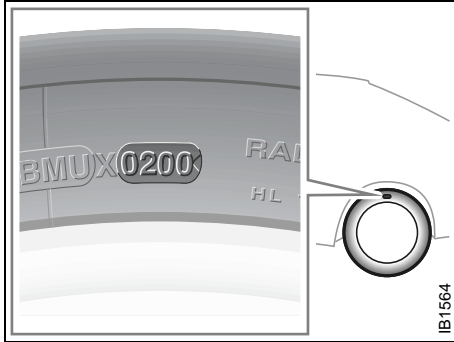
## Steps for Determining Correct Load Limit

- 1 Locate the statement "The combined weight of occupants and cargo should never exceed XXX pounds" on your vehicle's label.
- 2 Determine the combined weight of the driver and passengers that will be riding in your vehicle.
- 3 Subtract the combined weight of the driver and passengers from XXX kilograms or XXX pounds.
- 4 The resulting figure equals the available amount of cargo and luggage load capacity. For example, if the "XXX" amount equals 1400 lbs. and there will be five 150 lb. passengers in your vehicle, the amount of available cargo and luggage load capacity is 650 lbs.  $(1400 - 750 (5 \times 150) = 650 \text{ lbs.})$ .
- 5 Determine the combined weight of luggage and cargo being loaded on the vehicle. That weight may not safely exceed the available cargo and luggage load capacity calculated in Step 4.
- 6 If your vehicle will be towing a trailer, load from your trailer will be transferred to your vehicle. Consult this manual to determine how this reduces the available cargo and luggage load capacity of your vehicle.

## Winter tires

Winter (snow) tires are recommended for winter climates where the majority of your driving will be done on snow and ice. Winter tires should be fitted to all four wheels to maintain a proper balance. Your Saab dealer can advise you of the correct size tire for your car (if different from the original size) and also supply Saab approved winter tires pre-mounted on steel or alloy rims.

Winter tires normally use a different speed rating compared to summer/all season tires. Make sure not to exceed the stated speed rating on the tires you use.



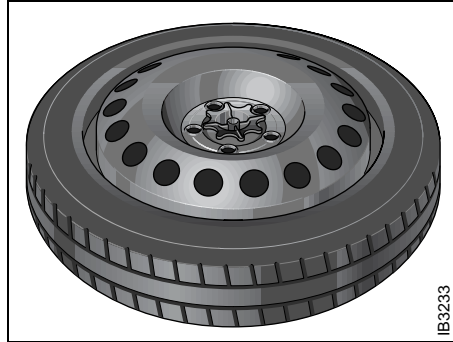
Tire date code

### Tire date code

Tires should be regarded as perishable goods. As the tires age, the rubber becomes progressively harder, and the roadholding ability of the tires diminishes. This is particularly true on winter tires.

Tires now have a date-code marking for the year of manufacture. The first two digits denote the week number and the two last digits the year. The "<" symbol points to the year.

Accordingly, a date code of 0200 signifies that the tire was manufactured in week 02, 2000.



Spare wheel (under panel in luggage compartment)

### Compact spare tire



#### WARNING

Stow all tools carefully away after use, so that they cannot get loose and cause injury in the event of a crash.

The compact spare is light and easy to handle when changing the tire. Its use is only permitted when a standard tire has sustained a puncture. The maximum life of the tire is only 2000 miles (3,500 km).

**Do not exceed 50 mph (80 km/h) with the compact spare fitted.**

The compact spare should be inflated to 60 psi (420 kPa). Carry the punctured tire in the spare-wheel well under the luggage-compartment floor.

Have the standard tire repaired and refitted as soon as possible.

#### NOTICE

To avoid damaging a punctured alloy wheel it can be placed outside up in the spare-wheel well but **only** while driving to the closest dealer.

A general rule is that all heavy loads must be well secured in the luggage compartment, see page 132 and 136.

The spare tire, together with the jack, front towrope attachment eye and toolkit, is stowed away underneath the luggage-compartment floor.

## Driving considerations with compact spare wheel/tire fitted

### WARNING

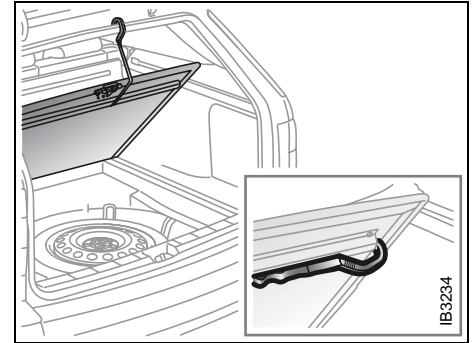
- Do not exceed 50 mph (80 km/h) as the tire can overheat and adversely affect the handling of the car.
- Tire pressure: refer to page 269.
- The spare wheel or punctured tire must be stowed under the trunk floor, and secured in place with the retaining nut.

The following should be observed when the compact spare wheel (T115/70 R16) is fitted:

- The compact spare is light and easy to handle when changing the wheel.
- Do not drive further than necessary with the compact spare fitted – the maximum life of the wheel is only just over 2000 miles (3,500 km).
- Refit the standard tire as soon as possible.

Important considerations when driving with a compact spare tire:

- The car's ground clearance is reduced.
- The car must not be driven with more than one compact tire at a time.
- Avoid driving against a curb.
- Do not use snow chains.
- Do not fit the wheel cover - this would conceal the warning text.



*Hanging up the cover, 9-5 SportCombi*

## Changing a wheel

### WARNING

Lifting a vehicle and getting under it to do maintenance or repairs is dangerous without the appropriate safety equipment and training. The jack provided with your vehicle is designed only for changing a flat tire. If it is used for anything else, you or others could be badly injured or killed if the vehicle slips off the jack. Use the jack provided with your vehicle only for changing a flat tire.

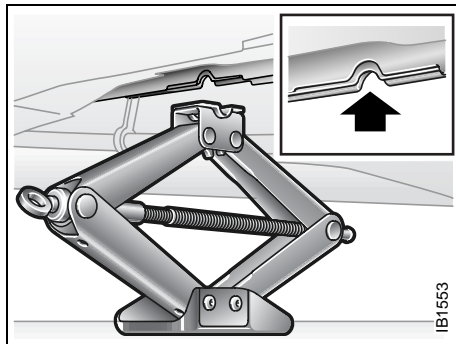
Changing a tire can be dangerous. The vehicle can slip off the jack and roll over or fall on you or other people. You and they could be badly injured or even killed. Find a level place to change your tire. To help prevent the vehicle from moving:

- 1 Set the parking brake firmly.
- 2 If you have an automatic transmission, put the shift lever in PARK (P). For a manual transmission, leave the car in gear (1st or REVERSE (R)).
- 3 Turn off the engine and do not restart while the vehicle is raised.
- 4 Do not allow passengers to remain in the vehicle.

To be even more certain the vehicle won't move, you should put blocks at the front and rear of the tire farthest away from the one being changed. That would be the tire, on the other side, at the opposite end of the vehicle.

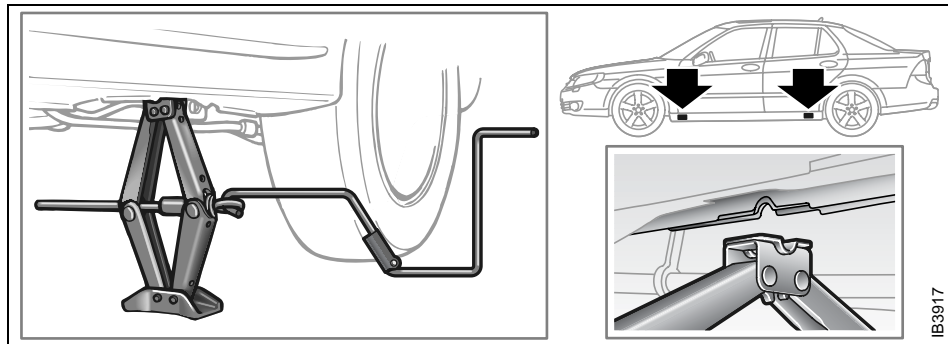
- The car jack is designed solely for use in changing a wheel or fitting snow chains. **It must not be used to support the car during repair work or servicing.**
- **Never** crawl under a car that is supported only by a jack.
- Raising your vehicle too high or with the jack improperly positioned can damage the vehicle and even make the vehicle fall. To help avoid personal injury and vehicle damage, be sure to fit the jack lift head into the proper location before raising the vehicle, and raise the vehicle only far enough off the ground so there is enough room for the spare tire to fit (no more than 25 mm or 1 inch clearance between the ground and the bottom of the tire).
- Switch on the hazard warning lights if the car is on a road.

- The jack should be stored correctly under the carpeting in the trunk. If it lies loose in the car, it could thrown forward and cause personal injury in the event of a crash or if the car rolls over.
- Grit, salt and rust can clog the inner threads of the wheel bolts if the car has been driven for several years exclusively with alloy wheels. If steel wheels are being installed, the bolt hole threads in the brake hubs should be cleaned before the thinner steel wheels are fitted. It may otherwise not be possible to achieve the correct clamping force, despite tightening the wheel bolts to the correct torque.



IB1553

*Positioning the jack*



IB3917

*Position for jack*

To jack up the car, apply the jack to one of the special jacking points under the sills. If a floor jack is used, it can be applied to the standard jacking points used by the dealer. A floor jack can lift both front wheels or both rear wheels off the ground simultaneously. A jack stand must then be applied underneath the front of the engine subframe (at the fixing point for the towrope-attachment eye) or to the rear towrope-attachment eye (or under the trailer hitch, if fitted).

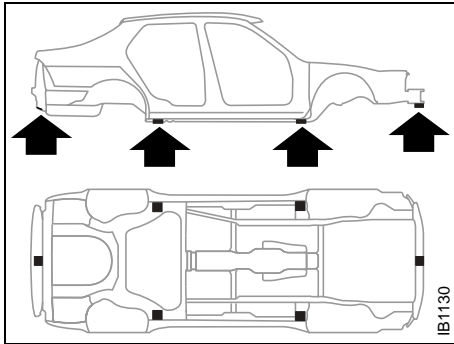
**NOTICE**

Apply the jack only to the jacking points indicated on the body.

- 1 Put the car in 1st gear (automatic transmission: move selector to the P position) and apply the parking brake.

- 2 Wind the jack up to a suitable height before placing it under the recess in the sill. Make sure that the jack fully engages the recess in the sill and that the base of the jack is steady and flat on the ground.
- 3 Remove the wheel cover (where applicable). Loosen the wheel bolts by half a turn.
- 4 Wind the jack to raise the wheel clear of the ground. Remove the wheel bolts and lift off the wheel.
- 5 Clean any rust or dirt from the contact surfaces between the wheel and brake disc. Do not wipe away the grease in the hub.
- 6 Fit the wheel and screw in the bolts in the sequence shown (opposite pairs) - see page 242.





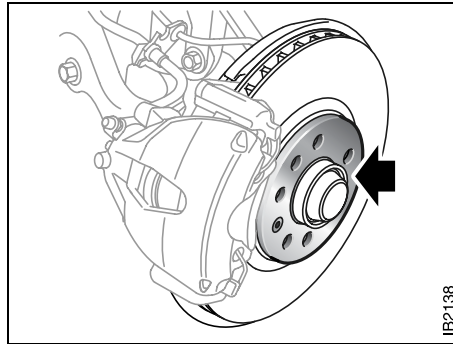
*Jacking points for a trolley jack*

Tighten the bolts enough for the bolts and wheel to be seated correctly.

- 7 Lower the car and tighten the wheel bolts to the correct torque in the sequence shown (opposite pairs).

**Tightening torque**

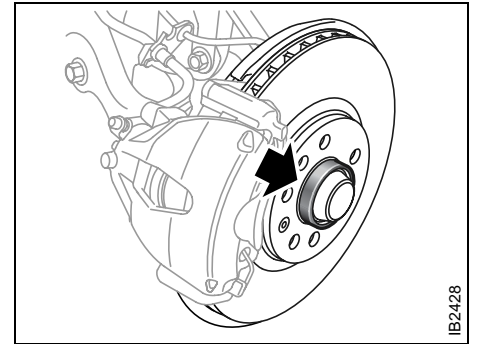
Light-alloy wheels: 80 ft.lbs. (110 Nm)  
 Steel wheels: 80 ft.lbs. (110 Nm).



*Clean any rust or dirt from the contact surfaces between the wheel and brake disc*

**NOTICE**

- When refitting wheel covers (where applicable), make sure that the valve protrudes through the marked hole in the wheel cover.
- Do not overtighten the bolts using an impact wrench: not only can this damage the wheels but it can also make it impossible to undo the bolts using the wheel wrench in the car's toolkit.

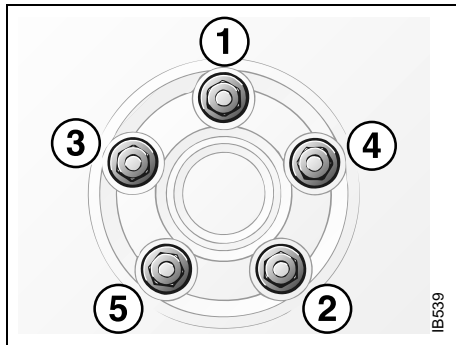


*Do not wipe away the grease in the hub.*

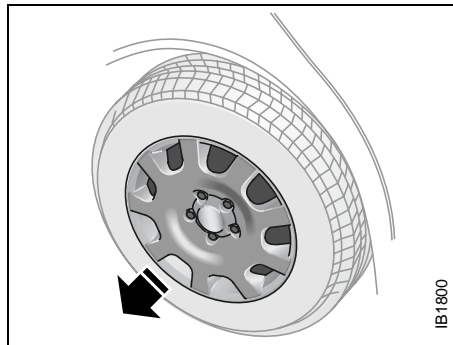
- 8 Check-tighten the wheel bolts after a few miles.

**Tightening torque**

Light-alloy wheels: 80 ft.lbs. (110 Nm)  
 Steel wheels: 80 ft.lbs. (110 Nm)



*Tightening sequence, wheel bolts*



*Removing the wheel cover*

## Safety belts

### **WARNING**

If the car is involved in a crash, the safety belts, belt pretensioners and other components must be inspected by a workshop. We recommend that you contact an authorized Saab dealer.

Never make any alterations or repairs to the safety belt yourself.

Regularly check the function of the safety belts as follows:

- Hold the diagonal strap and pull it sharply. The safety belt should **lock** and it should not be possible to withdraw it further.

Check the anchorage points in the floor. They must not have suffered rust damage. There must be no frayed threads in the webbing.

Safety belts must not come into contact with substances such as polishes, oils or other chemicals. If the straps are dirty, wash them with warm water and a detergent or have them replaced.

## Upholstery and trim

To remove lint or hairs from the seat upholstery or headlining, use a moist, lint-free cloth or a special lint remover (brush or roller). Remove any dirty marks using a cloth moistened with lukewarm soapy water.

When using a stain remover, always work from the outside towards the center to avoid leaving a ring. If a soiled ring or spot should remain, it can usually be removed using lukewarm soapy water or water alone.

Wet patches left by spilled soft drinks or thin oil must be wiped off immediately using an absorbent material, such as a paper towel, and treated with stain remover.

Alcohol is recommended for removing grease or oil stains, and a semi-stiff brush may also be used.

## Cleaning and caring for leather upholstery

The principal reason for treating leather upholstery is to maintain its elegant appearance and to provide it with a protective film. Discoloration caused by dust and wear mainly affects the lighter shades, although this is not detrimental to the leather – indeed, the patina resulting from use is often considered desirable in leather. But if the leather is allowed to become too grubby, it can start to look shabby.

It is a good idea to clean and recondition the leather twice a year – in conjunction with a general spring-cleaning of the car – after the winter and in the autumn, for instance. In hot, dry climates, the leather will need to be treated more frequently. Use conventional leather care products. Follow the instructions on the packaging.

Do not use harsh polishing agents, cleaning agents, sprays, coarse soap or hot water.

## Textile carpeting

Vacuum clean the carpeting regularly. Carpets can also be cleaned using a brush, or carpet shampoo applied with a sponge. Do not use vacuum cleaners outdoors unless they are properly grounded.

## Washing the car

Wash your car frequently. To facilitate cleaning, a suitable detergent can be added to the water, which should be lukewarm. Saab offers a full line of car care products, including car wash, for the care of your vehicle. See your dealer for available products or visit [www.saabcatalog.com](http://www.saabcatalog.com) (U.S. residents only).

Do not use a pressure washer at close range on stone chip damage, scratches or other damage to the paintwork. The paint can otherwise start to flake.

Remove any bird droppings without delay, as these can discolor the paintwork and prove difficult to polish out.

Use a soft cloth moistened with methyl alcohol to remove splashes of tar or asphalt. Do not use strong cleaners, as these can dry out the paintwork.

### NOTICE

Avoid using any alcohol-based cleaners on the front and rear light clusters, as these can cause cracking of the lenses.

The underside of the car also needs washing regularly, and this should be done extra thoroughly at the end of winter. Clean the underside of the car by hand if the car is usually washed in an automatic car wash without special facilities for underbody cleaning.

Never wash or leave the car to dry in the sun, but wipe it dry with a chamois leather immediately after washing to avoid smears and streaks.

Clean the window glass inside and out using a high quality window cleaner. This is particularly important when the car is new, as upholstery and trim have a tendency to sweat a little at first.

Keep the glass well cleaned, as this helps to prevent misting.

### NOTICE

- The door mirrors must be fully retracted before the car enters an automatic car wash.
- Remove fixed antennas, e.g. for mobile phone, before putting car through an automatic car wash.
- Try your brakes on leaving a car wash. Wet brake discs may reduce the performance of the brakes.
- Cars with Saab Parking Assistance: Do not spray the sensors or closer than 20 cm to the sensors with a pressure washer, as this can damage them.

## Waxing and polishing

Other than in exceptional cases, do not use abrasive polishes containing a cutting agent on a new car. Always wash the car thoroughly before waxing or polishing.

## Engine compartment

Clean the engine compartment using an engine detergent and rinse with hot water. Cover the headlights. Do not use high-pressure washer. Avoid spraying the hood liner, as this can become heavy and hang down and touch the engine when the hood is closed.

Do not use gasoline as a cleaning agent or solvent when carrying out repairs or maintenance. Saab recommends the use of environmentally safe degreasing agents.

## Touching up the paint

Damaged paintwork should be treated as soon as it is discovered: the longer it is left, the greater the risk of corrosion. The anti-perforation warranty does not cover corrosion resulting from untreated defects. Paintwork damage sustained in a crash is usually extensive and can only be properly restored by professionals.

However, you can repair small scratches and stone-chip damage yourself. The necessary tools and materials, such as primer, touch-up paint and brushes, are available from your Saab dealer.

In the case of minor flaws in the paintwork, where the metal has not been exposed and an undamaged layer of paint remains, touch-up paint can usually be applied directly, after any dirt has been scraped away using a pointed knife.

If corrosion has already set in, e.g. as a result of stone-chip damage, use a pointed knife to scrape off all surface rust. If possible, the damaged area should be taken back to the bare metal. The metal should then be primed with two thin coats of primer applied by brush.

After the primer has dried, apply several thin layers of topcoat enamel until the surface of the repaired area is flush with the surrounding paintwork.

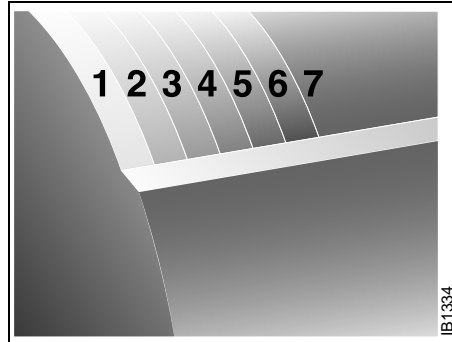
Stir both primer and touch-up enamel thoroughly before use and allow each coat to dry before applying the next.

## Two-coat enamel

As the name implies, two-coat enamel is applied in two operations. The first coat, the base color, contains the pigment, metal flakes and binder. The second coat consists of a clear enamel, which provides the final gloss for the paintwork and protects the base from moisture and environmental contaminants.

Touch-up stone-chip damage as follows:

- 1 Thoroughly clean the damaged area.
- 2 Apply the primer, base color and finally, the enamel. To achieve the best finish, apply two or three coats of primer.



### Surface-treatment composition

- 1 Body panel
- 2 Zinc (certain panel sections only) 7.5  $\mu\text{m}$
- 3 Phosphate coating
- 4 Cathodic ED 23  $\mu\text{m}$
- 5 Intermediate coat 35  $\mu\text{m}$
- 6 Metallic base 15  $\mu\text{m}$
- 7 Clear enamel /solid enamel 40  $\mu\text{m}$

## Air conditioning (ACC)

### ⚠ WARNING

- All repairs and adjustments on the A/C system must be carried out by a workshop authorized for this kind of work.
- The A/C system is pressurized. Do not break any connections or undo A/C system components.
- Escaping refrigerant gas can cause visual impairment or other injury.

### NOTICE

- The A/C system is designed for use with R134a refrigerant.
- Refrigerant handling requires special equipment and special procedures for charging and draining the system.
- Never mix R134a and R12 refrigerants.

## Fault diagnosis

If a fault occurs in the A/C system, there are a number of checks you can perform yourself. If the fault persists, however, have the system checked by a workshop. We recommend that you contact an authorized Saab dealer.

### Important!

When the A/C system is running, the intake air is dehumidified, and the resultant condensation is drained off through two outlets underneath the floor of the car in the vicinity of the front doors. It is therefore perfectly normal for water to be seen dripping from these outlets when the car is parked. The warmer the ambient air and the higher the humidity, the greater will be the amount of condensation formed.

### Inadequate cooling:

- a Check that the condenser (forward of the radiator) has not become clogged with dirt and insects.
- b Make sure that the drive belt for the compressor is not slipping.
- c Check the fuses for the ventilation fans and compressor.

## Maintenance

- The drive belt for the compressor should be inspected under the regular service program.
- Clean dirt and insects away from the condenser and radiator to prevent clogging. When washing the car, use the hose to spray the radiator and condenser (located forward of the radiator) from both sides (both from the front of the car and from inside the engine bay). Do not use a pressure washer.

**Caution: Do not use the hose when the engine is hot.**

Other than in extremely cold weather, do not screen the radiator, e.g. with netting, as this will greatly diminish its cooling capacity.

**Note:** The A/C system will only operate when the outdoor temperature is above the freezing point (0°C, 32°F).

## Anti-corrosion treatment

The entire car is corrosion-protected at the factory in different stages by an electrolytic immersion coating and a PVC-based protective coating to protect against corrosion caused by stones flung up by the wheels. A thin penetrating anti-rust oil is also applied in cavities and body members.

In addition to conventional anti-corrosion treatment like painting, underbody treatment and cavity treatment, most of the body panel surfaces are galvanized. These include the hood, the doors and the underbody.

The anti-corrosion treatment on the underside of the car and inside the wheel arches is particularly exposed to constant wear and possible damage, the degree of which will obviously depend on driving conditions.

## What causes rust?

Steel body panels of automobiles are subject to rusting whenever air and moisture manage to penetrate the protective finish, and body panels may rust through if the process is unchecked. Rusting can occur whenever water is trapped or where the car's panels are continuously damp. Damage to paint and undercoating by stones, gravel and minor crashes immediately exposes metal to air and moisture. Road salts used for de-icing will collect on the bottom of the car and promote rusting. Areas of the country with high humidity have great potential for rust problems, especially where salt is used on roads or there is moist sea air. Industrial pollution (fallout) may also damage paint and promote rusting.

## Preventive maintenance

The following procedures are necessary to help protect against rusting. Refer also to the terms and conditions of the Sheet Metal Coverage described in the warranty booklet.

- 1 **Wash the car frequently, and wax at least twice a year.** Under adverse conditions, where there is a rapid buildup of dirt, sand or road salt, wash your car at least once a week. After extreme exposure to salted snow or slush, evidenced by a white film on the car, wash the car immediately. Frequent washing will prevent paint damage from acid rain and other airborne contaminants such as tree sap and bird droppings. If any of these contaminants are noticed on the car the finish should be washed immediately.
  - Begin washing by rinsing the entire car with water to loosen and flush off heavy concentrations of dirt (include the underbody).
  - Sponge the car with a solution of either a good quality car soap or mild general purpose (dish washing) detergent and water.
  - Rinse car thoroughly with clean water.
  - After washing, check and clear all drains in doors and body panels.
  - Wipe the car dry, preferably using a chamois.



**2 Clean the underside of the car during the winter.** Use high pressure water to clean the car's underside (floor panels, wheel wells) at least at mid- winter and in the spring.

**3 Inspect the car frequently for leaks or damage, and arrange for needed repairs promptly.** After washing or after heavy rain, check for leaks. When washing the car inspect body surfaces for paint damage. While checking for leaks, lift the floor mats and check beneath them. Water can collect in these areas and remain for prolonged periods. Dry any wet areas including the floor mats. Have leaks repaired as soon as possible.

Use touch-up paint to repair small scratches or minor finish damage. Areas where metal is exposed will rust quickly and **MUST** be repaired immediately by touch-up or professional repainting. Rust must be removed, the bare metal primed and painted. Major body damage should be repaired immediately and new panels or exposed areas should be undercoated with anti- corrosion material.

Repairs of this type are the owner's responsibility and are not covered under warranty.

**4 Inspect the undercoating and touch up if necessary.** Pay particular attention to the fenders and wheel housings, which are exposed to abrasion by flying gravel, etc. If the composition has worn or flaked off, the steel must be thoroughly cleaned and dried before a fresh coat is applied. The cleaning is best done with a scraper and a steel wire brush, followed by washing with solvent. Apply the new coating thinly, as otherwise it may run off or fall off when dry.

## For long trips

Before setting off on a long journey, it is advisable to have your car checked over by your Saab dealer.

Obtain a few important items to take along on your journey such as spare bulbs, wiper blades, fuses, a Poly-V-belt and the like. You can check some points yourself beforehand:

- Make sure that the engine is in good condition.
- Check that no oil or gasoline leaks out of the engine or gearbox/transmission.
- Check the coolant and power steering fluid levels. Check also for leaks.
- Inspect the Poly-V-belt and replace it if it shows any signs of hard wear.
- Check the battery charge.
- Check the tires for tread pattern and air pressure, including the compact spare wheel.
- Check the brakes.
- Check all bulbs.
- Check for the presence of the tool kit and the jack in the car.

## Recovery and/or recycling of automotive materials

A typical car consists of metals (65–75 %), plastics (10–15 %), rubber (5 %) and small quantities of glass, wood, paper and textiles. The recycling of metals has been commonplace for a long time now.

To facilitate sorting of other materials for recycling, plastic parts, for instance, have been marked to identify the precise nature of the plastic.

The quantity of materials in the car that can be recycled or recovered depends on the scrapping facilities in different countries. EU legislation that comes into force in 2006 will require a minimum of 85 % of the total weight of materials to be recycled. However, every major car salvage yard in each market will receive details from Saab of how the highest percentage of materials can be reclaimed.

## Headlight aiming



Before checking/adjusting the headlight aiming, switch off the engine to avoid danger of fingers and hands being injured by moving parts.

The radiator fan can start up even when the engine is switched off.

The vehicle has a visual optical headlight aiming system equipped with vertical aiming device. The aim has been preset at the factory and should normally not need further adjustments.

If your headlights are damaged in a crash, the headlight aim may be affected. If you believe your headlights need to be re-aimed, we recommend that you take it to your Saab dealer for service, however, it is possible for you to re-aim your headlights as described in the following procedure.

### NOTICE

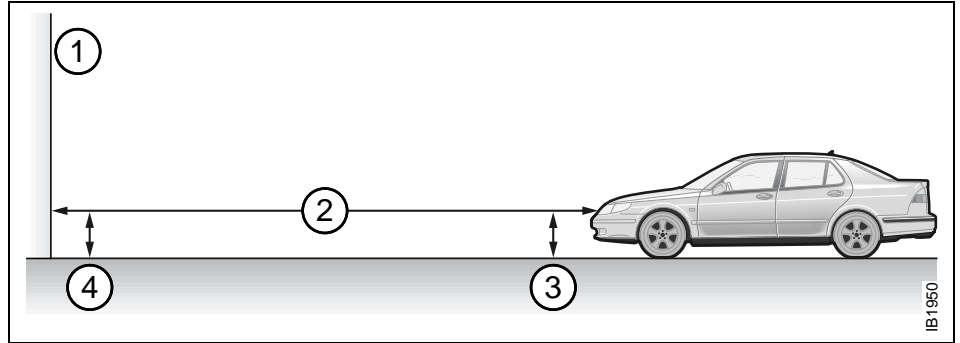
To make sure that your headlights are aimed properly read all instructions before beginning. Failure to follow these instructions could cause damage to headlight parts or a not correctly aimed headlight.

To check the aim, the vehicle should be properly prepared as follows:

- The vehicle shall be placed so that the headlights are 25 ft (7.6 m) from a light colored wall or other flat surface. The aiming area should be darkened, this will improve your ability to see the beam of the low beam headlight being aimed.
- The vehicle must have all four wheels on a perfectly level surface which is level all the way to the wall or other flat surface.
- The vehicle should be placed so it is perpendicular to the wall or other flat surface.
- The vehicle should be unloaded and fuel tank full, and one person or 160 lbs. (75 kg) on the drivers seat.

- The vehicle should be fully assembled and all other work stopped while headlight aiming is being done.
- The vehicle should not have any snow, ice or mud attached to it.
- Tires should be inflated to the prescribed pressure.
- Close all doors.
- Rock the vehicle to stabilize the suspension.

Headlight aiming is done with the vehicle low beam lamps. The high beam lamps will be correctly aimed if the low beam lamps are aimed properly.



- 1 Wall or garage door
- 2 25 ft (7.6 m) between wall and headlight lens.
- 3 Measurement from the ground to the low beam aiming marker on the headlight lens.
- 4 Same measurement as (3) but subtract 2 inches for vehicles with halogen lamps and 3 inches for vehicles with xenon lamps.

If you find that the headlight needs adjustment follow these steps:

- 1 Open the hood and locate the vertical aiming device.
- 2 Locate the marker on the lens.
- 3 Measure the distance from the ground to the aim marker on each lens.  
Subtract 2 inches if the vehicle is equipped with halogen lamps, record this distance.  
Subtract 3 inches if the vehicle is equipped with xenon lamps, record this distance.

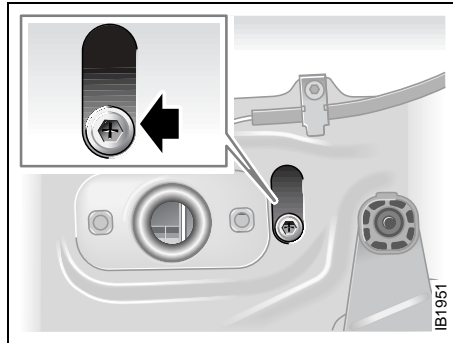
- 4 At the wall or other flat surface, measure from the ground to the recorded distance (see point 4) and draw a horizontal line the width of the vehicle.

- 5 Turn on the low beam headlights and place a piece of cardboard or equivalent (although not directly on the lens) in front of the headlight not being aimed. This should allow the beam cut-off of the headlight being aimed to be seen on the flat surface.

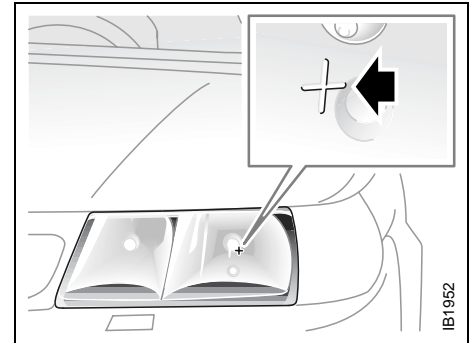
**NOTICE**

Do not cover a headlight directly on the lens to improve beam cut-off when aiming. Covering a headlight may cause excessive heat build-up which may cause damage to the headlight.

- 6 Turn the vertical aiming screw until the horizontal cut-off of the headlight is aligned with the horizontal line on the wall.



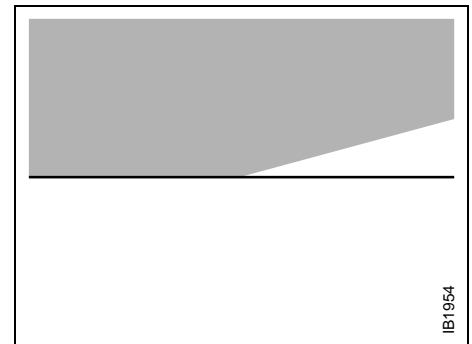
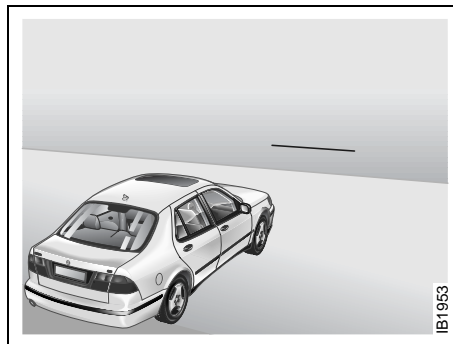
*Vertical aiming device*



*Aiming marker on headlight lens*

*Horizontal line on wall or other flat surface*

*Correctly adjusted low beam*



---

## Customer Assistance and Information

<b>Maintenance schedule _</b>	<b>254</b>
<b>Owner assistance _____</b>	<b>255</b>
<b>Reporting Safety Defects (U.S.A.) _____</b>	<b>256</b>
<b>Reporting Safety Defects to the Canadian government _____</b>	<b>256</b>
<b>Vehicle Data Collection and Event Data Recorders _____</b>	<b>257</b>

\* Asterisk means: equipment not fitted in all cars  
(can depend on model variant, engine variant,  
market specification, options or accessories).

## Maintenance schedule

The Maintenance Schedule prescribes a service program to the purchaser/operator of a Saab that is reasonable and necessary to ensure the proper emission control systems function, safety and reliability of the Saab automobile in normal use. Additional maintenance is recommended for specific components when the car is operated under certain severe conditions. Proper maintenance is always good advice!

Authorized Saab dealers are equipped and trained to meet your Saab's service needs. They regularly receive up-to-date Saab service manuals and parts and technical service bulletins from Saab and are able, through their franchise agreement, to attend Saab service schools, obtain Saab special tools and technical assistance and purchase original equipment service and replacement parts.

Today's complex automobiles should only be entrusted to the most knowledgeable service professionals. A Saab dealer is your best choice.

## Service intervals

A time for service message will illuminate on the Saab Instrument Display (SID) when the car is due for regular maintenance.

## Engine oil and filter changes

Changing the engine oil and filter is required at every service point. Use only a Saab approved long-life oil filter and engine oils stated in the Specification section of this Owner's Manual. The use of extra additives in the oil is not necessary and is not recommended, and may be harmful to turbochargers.

More frequent oil changes are recommended if your vehicle is operated under the following conditions:

- Most trips are less than 5 to 10 miles (8 to 16 km). This is particularly important when outside temperatures are below freezing.
- Most trips include extensive idling (such as frequent stop-and-go driving).
- Most trips are through dusty areas.
- You frequently tow a trailer or use a carrier on top of your vehicle.
- If the vehicle is used for delivery service, police, taxi or other commercial applications.

If your driving habits match this description, have the engine oil and filter changed in-between normal services at 5,000 mile (8,000 km) intervals. The Saab Warranty and Service Record Booklet has provisions to record extra oil changes.

## Service record retention

It is the owner's responsibility to retain service records. If possible, you should keep copies of all shop work orders for all service and repairs, whenever performed. As indicated in the new car and emission control system warranties, it is important to document that all necessary maintenance has been done.

## HOW THE SERVICE RECORD IS ORGANIZED

The service record is comprised of a series of coupons on which to record services as they are performed. There are additional coupons for documenting extra engine oil and filter changes, extra automatic transmission fluid services necessary for severe service conditions, and brake fluid changes.

## HOW TO USE THE SERVICE RECORD COUPONS

When the car is brought to a Saab dealer for scheduled maintenance, present the Saab Warranty and Service Record Booklet to the service manager. When the technician has completed the service, the technician will sign the maintenance record. The person responsible for quality assurance at the dealership will also sign and stamp the record with the dealer identification stamp.

## Service costs

Dealer pricing practices and labor for service work vary. Saab's recommended service times for each service point do not include the labor required to replace wear items, such as wiper blades, brake pads or tires. Nor is labor to perform other service or repairs found to be necessary as a result of the inspections included in these times. Additional labor and parts will be charged for such work when necessary, except as covered under an applicable Saab warranty or any optional extended service contract. Transmission fluid changes or suspension alignment, when necessary, are also additional.

Dealer charges for general shop material, regulated hazardous waste removal, recycling expenses or other operation costs may also be applied to service and repair invoices and are apt to vary by dealer and location.

## Owner assistance

### Warranties and service problem assistance

For complete information about all applicable warranties, including the New Car Warranty, Perforation Warranty, Vehicle Emission Warranty and Emission Perforation Warranty, consult the Warranties and Service Record Booklet which accompanies this Owner's Manual. It also contains owner assistance information including Saab Roadside Assistance. If the booklet is lost or misplaced, a new one may be ordered through a Saab dealer or by contacting Saab.

In the U.S. there is a national Customer Assistance Center at Saab Cars USA, Inc. The toll-free number to call from all 50 states is 1-800-955-9007.

In Canada, please call the Saab Customer Assistance Centre at 1-800-263-1999.

A list of authorized Saab sales and service dealers is available for those planning to travel in the United States and Canada.

Canadian or U.S. travelers may call the Customer Assistance Center in the country in which they are traveling.

### **Change of Address Notification (U.S. and Canada)**

Two change of address cards are provided at the end of the Warranty and Service Record Booklet. Knowing your current address allows Saab to contact you in the event of a recall or service campaign. Please help us keep our records up to date for your own peace of mind.

### **Service information**

Factory Service Manuals for the Saab 9-5 car line can be ordered through your Saab dealer or by visiting [www.saabtechinfo.com](http://www.saabtechinfo.com). These are comprehensive manuals on CD rom, geared to use by professional technicians.

Consult your Saab dealer for prices and for a listing for your model.

### **Reporting Safety Defects (U.S.A.)**

If you believe that your vehicle has a defect which could cause a crash or could cause injury or death, you should immediately inform the National Highway Traffic Safety Administration (NHTSA) in addition to notifying Saab Cars USA, Inc.

If NHTSA receives similar complaints, it may open an investigation, and if it finds that a safety defect exists in a group of vehicles, it may order a recall and remedy campaign. However, NHTSA cannot become involved in individual problems between you, your dealer, or Saab Cars USA, Inc.

To contact NHTSA, you may either call the Auto Safety Hotline toll-free at 1-800-424-9393 (or 202/366-0123 in Washington D.C. area) or write to: NHTSA, U.S. Department of Transportation, Washington, D.C. 20590. You can also obtain other information about motor vehicle safety from the Hotline.

### **Reporting Safety Defects to the Canadian government**

If you live in Canada, and believe that your vehicle has a safety defect, you should immediately notify Transport Canada, in addition to notifying General Motors of Canada Limited.

You may write to Transport Canada at Box 8880, Ottawa, Ontario, K1G 3J2.

In addition to notifying Transport Canada in a situation like this, we certainly hope you will notify us. In Canada, please call our Saab Customer Assistance Centre at 1-800-263- 1999.

Or write:

General Motors of Canada Limited  
Customer Assistance Centre,  
1908 Colonel Sam Drive,  
Oshawa, Ontario, L1H 8P7.



## Vehicle Data Collection and Event Data Recorders

Your vehicle, like other modern motor vehicles, has a number of sophisticated computer systems that monitor and control several aspects of the vehicle's performance. Your vehicle uses on-board vehicle computers to monitor emission control components to optimize fuel economy, to monitor conditions for air bag deployment and, if so equipped, to provide anti-lock braking and to help the driver control the vehicle in difficult driving situations. Some information may be stored during regular operations to facilitate repair of detected malfunctions; other information is stored only in a crash event by computer systems commonly called event data recorders (EDR).

In a crash event, computer systems, such as the Air Bag Sensing and Diagnostic Module (SDM) in your vehicle may record information about the condition of the vehicle and how it was operated, such as data related to engine speed, brake application, throttle position, vehicle speed, steering wheel angle, lateral acceleration, safety belt usage, air bag readiness, air bag performance, and the severity of a collision. This information has been used to improve vehicle crash performance and may be used to improve crash performance of future vehicles and driving safety. Unlike the data recorders on many airplanes, these on-board systems do not record sounds, such as conversation of vehicle occupants.

To read this information, special equipment is needed and access to the vehicle or the SDM is required.

Saab will not access information about a crash event or share it with others other than

- with the consent of the vehicle owner or, if the vehicle is leased, with the consent of the lessee,
- in response to an official request of police or similar government office,
- as part of Saab's defense of litigation through the discovery process, or
- as required by law.

In addition, once Saab collects or receives data, Saab may

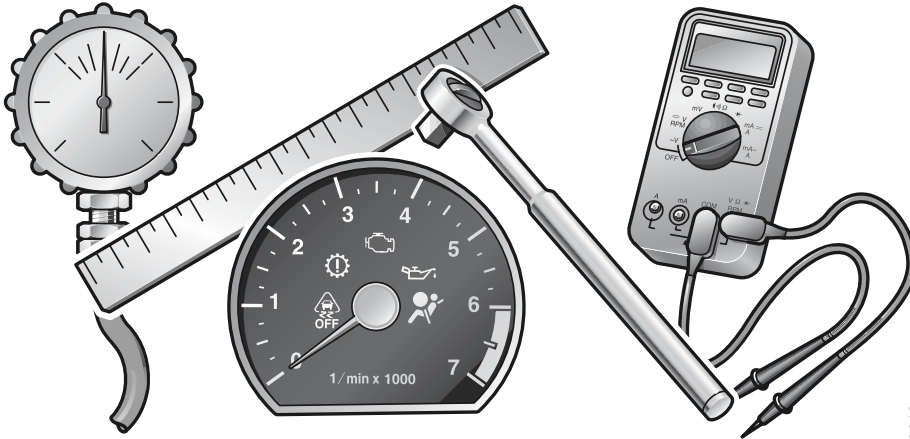
- use the data for Saab research needs,
- make it available for research where appropriate confidentiality is to be maintained and need is shown, or
- share summary data which is not tied to a specific vehicle with non-Saab organizations for research purposes.

Others, such as law enforcement, may have access to the special equipment that can read the information if they have access to the vehicle or SDM.

If your vehicle is equipped with OnStar®, please check the OnStar® subscription service agreement or manual for information on its operations and data collection.

(This page has been left blank)

# Specifications



IB3918

<b>General</b> _____	<b>260</b>
<b>Engine</b> _____	<b>262</b>
<b>Fuel</b> _____	<b>262</b>
<b>Engine oil</b> _____	<b>263</b>
<b>Engine variants</b> _____	<b>264</b>
<b>Electrical system</b> _____	<b>265</b>
<b>Drive belts</b> _____	<b>265</b>
<b>Manual gearbox</b> _____	<b>266</b>
<b>Automatic transmission</b> _____	<b>266</b>
<b>Suspension</b> _____	<b>267</b>
<b>Steering</b> _____	<b>267</b>
<b>Brake system</b> _____	<b>267</b>
<b>Wheels and tires</b> _____	<b>268</b>
<b>Plates and labels</b> _____	<b>270</b>

\* Asterisk means: equipment not fitted in all cars (can depend on model variant, engine variant, market specification, options or accessories).

## General

Overall length, including bumpers:

9-5 Sedan \_\_\_\_\_ 190.4 in (4836 mm)

9-5 SportCombi \_\_\_\_\_ 190.6 in (4841 mm)

Overall width, including door mirrors \_\_\_\_\_ 80.4 in (2042 mm)

Maximum height:

9-5 Sedan \_\_\_\_\_ 57.3 in (1454 mm)

9-5 SportCombi \_\_\_\_\_ 57.7 in (1465 mm)

Wheelbase \_\_\_\_\_ 106.4 in (2703 mm)

Ground clearance at gross vehicle weight \_\_\_\_\_ approx. 4.6 in (116 mm)

Track:

Front \_\_\_\_\_ 59.9 in (1522 mm) \*

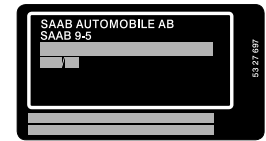
Rear \_\_\_\_\_ 60.2 in (1528 mm) \*

Turning circle (curb to curb) \_\_\_\_\_ 37.1 ft (11.3 m)

Turning circle (measured at vehicle extremities) \_\_\_\_\_ 39.0 ft (11.9 m)

Number of seats (incl. driver) \_\_\_\_\_ 5

\*) Specified track applies to wheel sizes: 6 x 15 & 6.5 x 16



VIN on cars sold in USA

VIN on cars sold in Canada

Permissible load (in addition to driver) = GVW minus curb weight

The maximum permissible axle load, front or rear, must not be exceeded.

The maximum permissible axle load, front or rear, must not be exceeded.

Chassis number in engine bay

Weight ready for driving (i.e. with full fuel tank, washer-fluid reservoir, standard tools and spare wheel) \_\_\_\_\_ 3330–3710 lbs. (1525–1685 kg)

Gross vehicle weight (GVW) \_\_\_\_\_ 4300–4650 lbs. (1950–2110 kg)

Maximum axle load:

Front \_\_\_\_\_ 2590 lbs. (1175 kg)

Rear, 9-5 Sedan \_\_\_\_\_ 2310 lbs. (1050 kg)

Rear, 9-5 SportCombi \_\_\_\_\_ 2480 lbs. (1125 kg)

Weight distribution:

Curb weight, front/rear \_\_\_\_\_ 60/40 %

GVW, front/rear \_\_\_\_\_ 50/50 %

Maximum roof load \_\_\_\_\_ 220 lbs. (100 kg)

Maximum luggage compartment load § \_\_\_\_\_ 176 lbs. (80 kg)

Maximum combined load, luggage compartment and roof \_\_\_\_\_ 264 lbs. (120 kg)

**Luggage compartment**

Volume (SAE):

9-5 Sedan _____	15.9 cu.ft. (450 litres)
9-5 SportCombi, rear seat upright _____	31.4 cu. ft. (890 litres)
9-5 SportCombi, rear seat folded _____	73.0 cu. ft. (2067 litres)

Luggage compartment, length, 9-5 Sedan:

Rear seat upright _____	43.0 in (1092 mm)
Rear seat folded down _____	67.5 in (1714 mm)

Luggage compartment, length,  
9-5 SportCombi:

Rear seat upright _____	42.8 in (1087 mm)
Rear seat folded _____	68.2 in (1732 mm)

**Trailer:**

Maximum towing speed, trailer with brakes	60 mph (100 km/h)
Trailer with brakes _____	Maximum weight: 3500 lbs (1588 kg)
Trailer without brakes _____	Maximum weight: 1000 lbs (450 kg)
Maximum load on ball hitch _____	110–165 lbs (50–75 kg)

The above speed and weight restrictions are those specified by Saab Automobile AB.  
Note that local restrictions may apply to trailer speeds and weights (see page 176).

 **WARNING**

- The GVW and maximum axle loads must not be exceeded. Note that if some accessories (e.g. towbar, CD changer) are fitted, the available load capacity is reduced by the weight of these.
- When carrying a load in the luggage compartment, make sure that it is tied down securely, particularly when part or all of the rear seat is folded down.

### Engine

4-cylinder _____	Four cylinders, twin overhead camshafts, 16 valves and two balancer shafts.
Cylinder bores _____	3.54 in (90 mm)
Stroke _____	3.54 in (90 mm)
Swept volume _____	139.7 cu.in (2.290 litres)
Idling speed _____	825 rpm (man.) 860 rpm (aut.)
Antifreeze _____	Saab-approved antifreeze
Coolant capacity _____	7.8 qts (7.4 litres)

### Fuel

Fuel-tank capacity \_\_\_\_\_ 18.5 gal. (70 litres)

For optimum performance Saab recommends: \_\_\_\_\_ • AON 93\*

\* If AON 90 is used some decrease in engine power can occur.

Gasoline with a lower octane rating can be used, although not lower than AON 87. However, engine performance will fall slightly and heavy loading and laboring should be avoided. For optimum performance, use the recommended grade of fuel.

For further information on fuel, see page 150.

## Engine oil

To meet demands in Saab's extended service intervals all engines are filled with specially designed synthetic factory fill oils. Long service intervals, fuel economy and environmental issues are the base for our choice of oil. By using oils approved by Saab you minimise the tendencies for oil sludge build, by that protecting the engine from harmful, wear increasing, deposits.

### *Approved engine oils:*

**All gasoline engines - Fully synthetic engine oil - approved against the GM-LL-A025 specification - with viscosity SAE 0W-30 or SAE 0W-40.**

Oil used at, or in-between, service must be approved against the engine's specified classification to render possible the usage of Saab Automobile AB specified service intervals.

For optimum performance Saab recommends the use of Saab Long Life Turbo Oil 0W-30 or Mobil 1 0W-40 European Car formula, but other oils approved against the above specification and with proper SAE viscosity 0W-30 or 0W-40 may also be used.

### *Servicing/Oil changes:*

To be able to use recommended service intervals the need to use only approved engine oils is vital. **Use only engine oils approved for your engine.** Service should be done according to the recommended service intervals to optimize your engine's function through out its entire life. Saab Automobile AB will not take responsibility for any damage that might occur due to neglecting to meet above mentioned requirements.

At your Saab dealers you can find Saab Genuine or Mobil engine oils. Among those there are oils specially designed to meet your engines specific needs. We recommend that you, with the help of our skilled service personnel, choose your oil from that assortment.

Other oil companies also offer engine oils approved against GM specifications. Oils meeting these standards may be marketed as synthetic. However, not all synthetic engine oils will meet your engine's specific requirements. Please ensure only to use oils approved against your engine's specific requirements, i.e. GM-LL-A025 with viscosity SAE 0W-30 or 0W-40.

### *Recommended oil viscosity*

Viscosity is a measurement of the oil's thickness at various temperatures, according to the SAE standard. This thickness influences e.g. fuel economy and cold starting properties. For optimum performance Saab recommends:

### **For gasoline engines:**

SAE 0W-30

or

SAE 0W-40 engine oil

### *Extra engine oil additives*

Don't add anything to your oil. The recommended oils are all you will need for good engine performance and protection.

### *When to change engine oil*

Your vehicle will display when it is time for servicing on the SID, based on the mileage and time since the last service.

For this service system to work it is of outmost importance that the right engine oil is used.

When the message for service is displayed you need to have the required service done as soon as possible.

After the service your service personnel will reset the service indicator. It is important to reset the service indicator in order to optimize the time to the next service.

Oil capacity incl. filter (on changing) \_\_\_\_\_ 4.1 qts (4.0 litres)

## **Engine variants**

### *2.3 Turbo Ecopower*

Rating, EEC at 5000 rpm \_\_\_\_\_ 260 hp (191 kW)

Maximum torque, EEC at 1900 rpm \_\_\_\_\_ 258.0 ft.lb.  
(350 Nm)

Compression ratio \_\_\_\_\_ 9.3:1

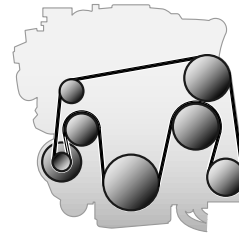


## Electrical system

Voltage _____	12 V
Battery capacity _____	70 Ah
Starter motor _____	1.4 kW
Alternator rating _____	140 A/14 V
Firing order _____	1-3-4-2
Spark plugs:	
2.3 Turbo _____	NGK PFR 6H-10
Electrode gap _____	0.0374 in (0.95 mm)

## Drive belts

<b>Engine variants</b>	<b>Outside length</b>
Drive belt _____	95.08 in (2415 mm)



1B929

*Drive belt*

### Manual gearbox

Type \_\_\_\_\_ All-synchromesh  
5-speed with final  
drive and differen-  
tial

Oil \_\_\_\_\_ Saab MTF 0063

Oil capacity \_\_\_\_\_ 1.9 qts (1.8 litres)

Oil volume (on changing) \_\_\_\_\_ 1.6 qts (1.5 litres)

Clutch type \_\_\_\_\_ Hydraulic, single  
dry-plate clutch of  
diaphragm-spring  
type

Speed (mph / km/h) at 1000 rpm in 5th gear: 27–29 / 43–47

### Automatic transmission

Type \_\_\_\_\_ Electronically con-  
trolled 5-speed,  
fully automatic with  
hydraulic torque  
converter, plane-  
tary gear set and  
integral final drive  
Lock-up function in  
selector positions 3,  
4 and 5.

Selector-lever positions \_\_\_\_\_ P R N D M L

Clutch type \_\_\_\_\_ Hydraulic plate  
clutches, brake  
bands and one-way  
couplings

Speed (mph / km/h) at 1000 rpm in 5th gear: 29–30 / 46–48

## Suspension

Spring type, front and rear \_\_\_\_\_ Coil springs  
 Maximum deflection of springs:  
     Front \_\_\_\_\_ 7.09 in (180 mm)  
     Rear \_\_\_\_\_ 7.87 in (200 mm)  
 Dampers, front and rear \_\_\_\_\_ Gas-filled dampers

## Steering

Steering \_\_\_\_\_ Power-assisted steering of rack-and-pinion type; telescopic steering-column shaft with universal joints  
 Number of turns, lock to lock \_\_\_\_\_ 2.9  
 Power-steering fluid \_\_\_\_\_ Power-steering fluid CHF 11S or CHF 202

## Brake system

Footbrake (ABS) \_\_\_\_\_ Hydraulic, dual-circuit brake system. Diagonally split circuit with vacuum servo unit. Disc brakes front and rear. EBD, see page 162.  
 Parkingbrake \_\_\_\_\_ Acts on rear wheels  
 Brake fluid \_\_\_\_\_ DOT 4  
 Brake-fluid capacity \_\_\_\_\_ 0.951 qts (900 ml)  
 Disc diameter:  
     Front, ventilated \_\_\_\_\_ 12.05 in (308 mm)  
     Rear, solid \_\_\_\_\_ 11.26 in (286 mm)  
 Total friction area of brake pads:  
     Front \_\_\_\_\_ 36.3 in<sup>2</sup> (234 cm<sup>2</sup>)  
     Rear \_\_\_\_\_ 15.5 in<sup>2</sup> (100 cm<sup>2</sup>)

**Wheels and tires**

(recommended dimensions)

2.3 Turbo

**All season tires**

215/55 R16 93 H	X
235/45 R17 94 V	X

**Winter tires**

215/55 R16 93 Q	X
225/45 R17 94 Q XL/RF	X
235/45 R17 94 Q	X

**Wheel sizes**

6.5 x 16"	X
7 x 17"	X
7.5 x 17"	X

Speed ratings and load indexes, see page 233.

**Always** contact an authorized Saab dealer if you wish to fit other wheels or tires than those fitted as standard.**Compact spare:**

Wheel _____	4 x 16"
Tire _____	T115/70 R16
Pressure _____	60 psi (420 kPa)
Maximum life _____	2,200 miles (3500 km)
Maximum speed _____	50 mph (80 km/h)

**NOTICE****Snow chains:**Snow chains must **not** be fitted to the rear wheels, and may only be used with the following wheel-tire combinations:**Wheels****Tires**

6.5 x 16" \_\_\_\_\_ 215/55 R16

Snow chains must not be fitted to 17" wheels.

Max. permissible speed with snow chains fitted is 30 mph (50 km/h).

Contact an authorized Saab dealer for advice on snow chains.

**NOTICE**

Wheels larger than 17" must not be fitted.

Wheel offset must be 49 mm.

**Lowest recommended tire pressure, cold tires**

Tire size	Load/speed mph (km/h) <sup>1)</sup>	Front kPa/psi	Rear kPa/psi
<b>All season tires</b>			
215/55 R16 93 H	1–3 pers./0–100 (0–160)	250/36	230/33
	4–5 pers./0–100 (0–160)	250/36	230/33
	1–5 pers./100– (160–)	290/42	270/39
235/45 R17 94 V	1–3 pers./0–120 (0–190)	240/35	240/35
	4–5 pers./0–120 (0–190)	240/35	240/35
	1–5 pers./120– (190–)	280/41	280/41

Tire size	Load/speed mph (km/h) <sup>1)</sup>	Front kPa/psi	Rear kPa/psi
<b>Winter tires</b>			
215/55 R16 93 Q	1–3 pers./0–100 (0–160)	240/35	240/35
	4–5 pers./0–100 (0–160)	260/38	260/38
225/45 R17 94 Q XL/RF	1–3 pers./0–100 (0–160)	250/36	250/36
	4–5 pers./0–100 (0–160)	270/39	270/39
235/45 R17 94 Q	1–3 pers./0–100 (0–160)	240/35	240/35
	4–5 pers./0–100 (0–160)	260/38	260/38
<b>Compact spare</b>			
T115/70 R16 Spare wheel	Max 50 (80)	420/60	420/60

*1) Do not exceed posted speed limits.*

*By cold tires is meant tires that are the same temperature as the surrounding air temperature.*

*The values for tire pressure in the table above are for tires at 68°F (20°C).*

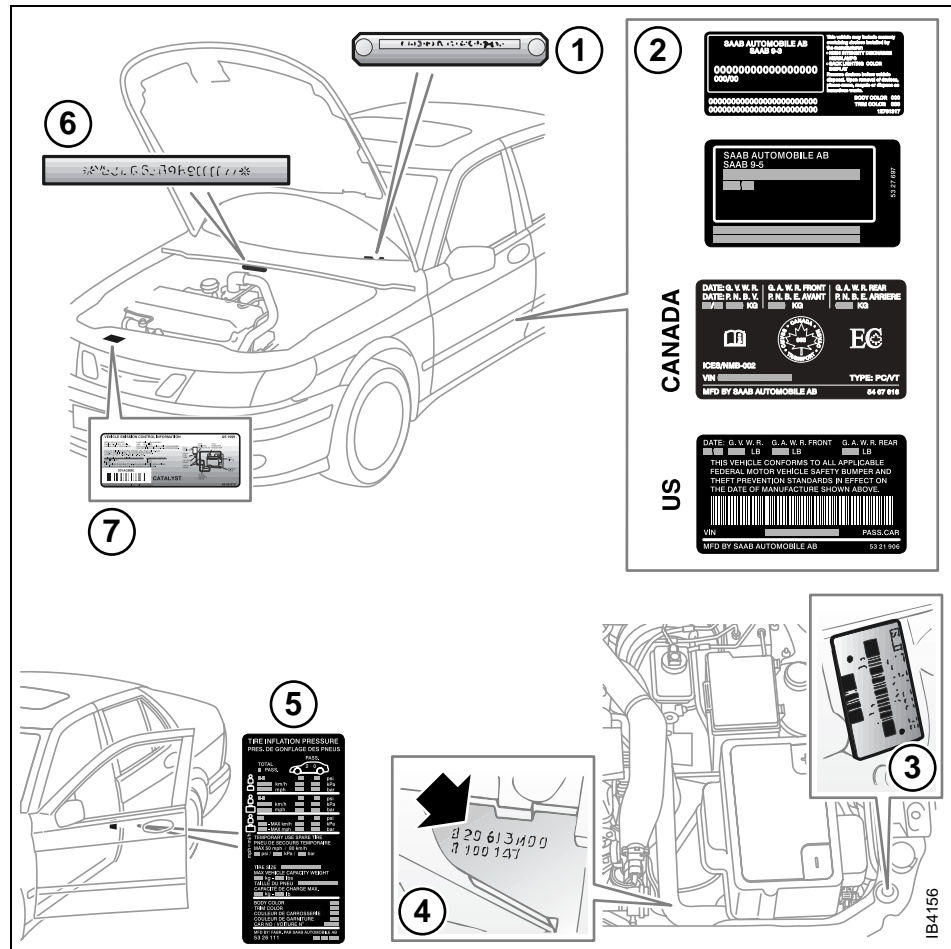
*The tire pressure will increase as the tires become warm (e.g. during motorway driving), and decrease as they cool.*

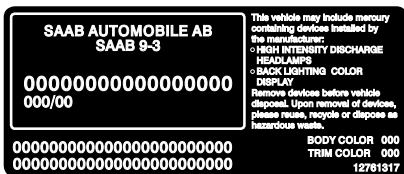
*When the temperature of the tires increase or decrease by 10 degrees the tire pressure will correspondingly increase or decrease by 10 kPa/2 psi (0.1 bar).*

## Plates and labels

When consulting your Saab dealer, it may be necessary to quote the car's V.I.N., engine and gearbox numbers.

- 1 V.I.N. number, inside windshield.
- 2 V.I.N. label and certification label.
- 3 Gearbox number.
- 4 Engine number.
- 5 **Canada:** Label for tire pressure and color codes (trim and body).  
**USA:** color codes (trim and body) can be found on the V.I.N. label on the B-pillar.
- 6 Chassis number, stamped on body.
- 7 Vehicle Emission Control Information.





position: 1 2 3 4 5 6 7 8 9 10 11 12  
 | | | | | | | | | | | |  
 V.I.N.: Y S 3 E H 4 9 G 6 6 3 045842

| | | | | |  
 1 2 3 4 5 6 = identification codes for certain chassis details

- |                             |   |                               |                 |
|-----------------------------|---|-------------------------------|-----------------|
| <b>1 Region</b> _____       | Y = Northern Europe                                   | <b>8 Engine variant</b> _____ | G = 2.3Turbo    |
| <b>2 Country</b> _____      | S = Sweden  | <b>9 Check digit</b> _____    | 0–9/X           |
| <b>3 Manufacturer</b> _____ | 3 = Saab Automobile AB                                | <b>10 Model year</b> _____    | 6 = 2006        |
| <b>4 Product line</b> _____ | E = 9-5   | <b>11 Factory</b> _____       | 3 = Trollhättan |
| <b>5 Model series</b> _____ | D = 9-5 Arc with driver's and passenger-side airbags  | <b>12 Serial number</b> _____ | 000001–999999   |
|                             | H = 9-5 Aero with driver's and passenger-side airbags |                               |                 |
| <b>6 Body version</b> _____ | 4 = 4-door  |                               |                 |
|                             | 5 = 5-door  |                               |                 |
| <b>7 Gearbox</b> _____      | 5 = Manual 5-speed                                    |                               |                 |
|                             | 9 = Automatic 5-speed                                 |                               |                 |

## Several of the systems in your Saab car can be adjusted to better fit your individual needs

Some functions are governed by legal requirements and cannot therefore be reprogrammed.

We recommend that you contact an authorized Saab dealer for further information.

### Car alarm/central locking system:

- The number of blinks when locking/unlocking.
- Automatic locking of the trunk when the car (SportCombi) is driven, 1 to 8 mph (2–14 km/h), YES or NO.
- Preclude the unlocking of the trunk while the car (SportCombi) is driven, YES or NO.
- Automatic locking of the trunk (SportCombi) after 1 second–4 minutes if it has not been opened, YES or NO.
- Automatic locking of the trunk (SportCombi) when it is closed, YES or NO.
- Automatic locking of all doors when the car is driven above 7.5 mph (12 km/h), YES or NO.

### Saab Information Display:

- Outdoor temperature display can be adjusted.

### Miscellaneous:

- Select the on-time for heated rear seat ✱.
- Additional sweep of the wipers after windshield washer function (ON or OFF).
- Courtesy Headlight Feature on-time can vary from 20 to 50 seconds.
- Night panel illumination deactivation speed for the speedometer can be adjusted.

## Following adjustments can be done by the driver:

### Automatic Climate Control (ACC):

You can choose whether front seat and rear window heating is to be activated manually or automatically; see "Adaptation of ACC" on page 85.

### Saab 9-5 Audio System (see page 106):

- Speed dependent volume.

### Daytime Running Lights:

To disable, turn off the ignition and pull out fuse 35, see page 222.



# Index

## A

- A/C system, fault diagnosis \_\_\_\_\_ 247  
 A/C system, maintenance \_\_\_\_\_ 246  
 ABS brakes \_\_\_\_\_ 162  
 ACC \_\_\_\_\_ 79  
 ACC functions \_\_\_\_\_ 82  
 ACC, automatic climate control \_\_\_\_\_ 79  
 ACC, calibration \_\_\_\_\_ 86  
 ACC, condensation water \_\_\_\_\_ 86  
 ACC, useful tips \_\_\_\_\_ 86  
 AUX input \_\_\_\_\_ 104  
 Adjusting the steering wheel \_\_\_\_\_ 114  
 Adjustment, seats \_\_\_\_\_ 18  
 Air conditioning (A/C), fault diagnosis  
   and maintenance \_\_\_\_\_ 246  
 Airbag \_\_\_\_\_ 29  
 Alarm \_\_\_\_\_ 50  
 Alarm functions \_\_\_\_\_ 53  
 Alarm signals \_\_\_\_\_ 50, 53  
 Album information \_\_\_\_\_ 104  
 Alternator \_\_\_\_\_ 204  
 Alternator drive belt \_\_\_\_\_ 204, 265  
 Alternator rating \_\_\_\_\_ 265  
 Antennas \_\_\_\_\_ 109  
 Anticorrosion treatment \_\_\_\_\_ 248  
 Antidazzle rear-view mirror \_\_\_\_\_ 121  
 Ashtrays \_\_\_\_\_ 126  
 Autochecking of lights on starting \_\_\_\_\_ 64  
 Auto-dimming rear-view mirror with  
   garage door opener \_\_\_\_\_ 118  
 Automatic climate control (ACC) \_\_\_\_\_ 79  
 Automatic transmission, technical  
   data \_\_\_\_\_ 266  
 Aviod theft, tip \_\_\_\_\_ 168

## B

- Battery \_\_\_\_\_ 202  
 Battery charging/replacing \_\_\_\_\_ 203  
 Battery, boost starting \_\_\_\_\_ 188  
 Before a long journey \_\_\_\_\_ 249  
 Before towing a camper or trailer \_\_\_\_\_ 179  
 Belt guide \_\_\_\_\_ 12  
 Boost starting using jump leads \_\_\_\_\_ 188  
 Brake and clutch fluid \_\_\_\_\_ 199  
 Brake-fluid reservoir \_\_\_\_\_ 199  
 Brakes, technical data \_\_\_\_\_ 267  
 Bulbs, changing \_\_\_\_\_ 207  
 Bulbs, table of \_\_\_\_\_ 218  
 Buying new tires \_\_\_\_\_ 228

## C

- CD changer \_\_\_\_\_ 100  
 CHECK messages \_\_\_\_\_ 71  
 CHECKING \_\_\_\_\_ 71  
 Car alarm \_\_\_\_\_ 50  
 Car care \_\_\_\_\_ 191

- Cargo net, 9-5 SportCombi \_\_\_\_\_ 138  
 Carpeting, care of \_\_\_\_\_ 243  
 Catalytic converter, important  
   considerations \_\_\_\_\_ 147  
 Central locking \_\_\_\_\_ 44  
 Change language in SID \_\_\_\_\_ 72  
 Change of address notification \_\_\_\_\_ 256  
 Changing a wheel \_\_\_\_\_ 239  
 Changing bulbs \_\_\_\_\_ 207  
 Changing wiper blades \_\_\_\_\_ 205  
 Charger/Jump starting \_\_\_\_\_ 190  
 Charging the battery/Jump starting \_\_\_\_\_ 190  
 Chassis number \_\_\_\_\_ 270  
 Chassis number, key to \_\_\_\_\_ 271  
 Checks before towing a camper or  
   trailer \_\_\_\_\_ 179  
 Child safety \_\_\_\_\_ 22  
 Child safety locks, rear doors \_\_\_\_\_ 47  
 Cleaning, engine bay \_\_\_\_\_ 245  
 Clock \_\_\_\_\_ 105  
 Color code, body \_\_\_\_\_ 270  
 Color code, trim \_\_\_\_\_ 270  
 Compact spare wheel \_\_\_\_\_ 237  
 Compass \_\_\_\_\_ 122  
 Condensation water, ACC \_\_\_\_\_ 86  
 Connecting a portable player \_\_\_\_\_ 104  
 Coolant \_\_\_\_\_ 198  
 Courtesy Headlight Feature \_\_\_\_\_ 74  
 Crash memory, see EDR \_\_\_\_\_ 257  
 Cross modulation \_\_\_\_\_ 110  
 Cruise control \_\_\_\_\_ 161  
 Cup holder \_\_\_\_\_ 129

**D**

DICE/TWICE _____	220
Dampers _____	267
Date _____	105
Date code, tires _____	237
Date display _____	105
Definitions and terminology, tire _____	234
Determining correct load, tires _____	236
Dim-dipped beam _____	73
Direction indicators _____	75
Diversity antenna _____	109
Door handles _____	44
Door mirrors _____	116
Doors, locks & luggage compartment _____	43
Drive belt _____	265
Drive belt, alternator _____	204
Drive belts, length _____	265
Driver's seat, programmable _____	20
Driving at night _____	183
Driving in hot weather _____	175
Driving with a load _____	183

**E**

EDR (Event Data Recorders) _____	257
ESP _____	165
Electric heating of rear seat _____	87
Electric windows _____	115
Electrical system, technical data _____	265
Electronic Stability Program, ESP _____	165

Electronic starting interlock _____	49
Emergency operation of moonroof _____	124
Emission control systems _____	194
Engine bay _____	193
Engine bay, cleaning _____	245
Engine number _____	270
Engine oil, grade _____	263
Engine, description _____	196
Engine, technical data _____	262
Engine, temperature gauge _____	65
Engine-oil level, checking _____	196
Error codes, Audio System _____	112
Event Data Recorders (EDR) _____	257
Expansion tank, coolant _____	198

**F**

Filling a portable fuel container _____	150
Flat spots, tires _____	227
Fluid level, automatic transmission _____	198
Folding the parcel shelf, 9-5 SportCombi _____	134
Folding the rear seat, 9-5 Sedan _____	130
Folding the rear seat, 9-5 SportCombi _____	133
Frequency band _____	93
Frequently asked questions on airbag _____	40
Front fog lights _____	76
Frost warning _____	68
Fuel _____	148
Fuel consumption _____	68
Fuel container _____	150

Fuel gauge _____	65
Fuel grade _____	262
Fuel information _____	150
Fuse box under hood _____	223
Fuse panel _____	219
Fuses _____	219

**G**

Garage door opener _____	118
Gearbox number _____	270
Gearbox oil, checking _____	198
Gearbox, technical data, _____	266
General functions _____	105
Glove compartment _____	127

**H**

Handbrake _____	167
Hazard warning lights _____	76
Head restraint _____	21
Headlight flasher _____	73
Headlights _____	73
Heated front seats _____	87
Hood _____	192
Horn _____	114

- I**
- If a tire goes flat \_\_\_\_\_ 231
  - Ignition switch \_\_\_\_\_ 142
  - Immobilizer \_\_\_\_\_ 49
  - Indicator and warning lights \_\_\_\_\_ 58
  - Indicator lights \_\_\_\_\_ 58
  - Information about fuel \_\_\_\_\_ 150
  - Instrument illumination \_\_\_\_\_ 75
  - Instruments and controls \_\_\_\_\_ 57
  - Interior equipment \_\_\_\_\_ 113
  - Interior lighting \_\_\_\_\_ 124
  - Interior rearview mirror \_\_\_\_\_ 116
- J**
- Jack \_\_\_\_\_ 240
- K**
- Key \_\_\_\_\_ 44
  - Key to chassis number \_\_\_\_\_ 271
  - Key, remove \_\_\_\_\_ 142
- L**
- LATCH (child safety) \_\_\_\_\_ 23
  - Labeling, tire sidewall \_\_\_\_\_ 232
  - Labels \_\_\_\_\_ 7
- Leather upholstery, care of \_\_\_\_\_ 243
- Light horn \_\_\_\_\_ 73
- Light switches \_\_\_\_\_ 73
- Loading MP3 discs \_\_\_\_\_ 102
- Loading your vehicle \_\_\_\_\_ 234
- Luggage-compartment lighting \_\_\_\_\_ 125
- M**
- MP3 player \_\_\_\_\_ 102
  - Main instrument panel \_\_\_\_\_ 58
  - Main/dipped beam \_\_\_\_\_ 73
  - Maintenance schedule \_\_\_\_\_ 254
  - Maintenance, A/C-system \_\_\_\_\_ 246
  - Manual gearbox, technical data \_\_\_\_\_ 266
  - Maxi fuses \_\_\_\_\_ 220
  - Milometer \_\_\_\_\_ 64
  - Moonroof \_\_\_\_\_ 123
  - Motoring abroad \_\_\_\_\_ 249
  - Multipath propagation \_\_\_\_\_ 109
- Oil capacity, engine \_\_\_\_\_ 262
- Oil change, engine \_\_\_\_\_ 197
- Oil specification \_\_\_\_\_ 262
- Outdoor temperature \_\_\_\_\_ 68
- Owner assistance \_\_\_\_\_ 255
- P**
- Paintwork, touching-in \_\_\_\_\_ 245
  - Parcel shelf, folding \_\_\_\_\_ 134
  - Parking Assistance \_\_\_\_\_ 170
  - Parking lights \_\_\_\_\_ 73
  - Plates and labels \_\_\_\_\_ 270
  - Poly-V-belt \_\_\_\_\_ 204
  - Portable fuel container \_\_\_\_\_ 150
  - Portable player \_\_\_\_\_ 104
  - Power steering \_\_\_\_\_ 201
  - Power-steering fluid \_\_\_\_\_ 201
  - Premium \_\_\_\_\_ 107
  - Pressure gauge \_\_\_\_\_ 66
  - Prestige \_\_\_\_\_ 107
  - Programme type ALARM \_\_\_\_\_ 99
- Q**
- Quality grading, tires \_\_\_\_\_ 229
  - Questions on function of airbag \_\_\_\_\_ 40
- R**
- RDS time \_\_\_\_\_ 106
  - Radiator fan \_\_\_\_\_ 204



**T**

TCS OFF	63
TP	99
Table of fuses	221
Tachometer	64
Tailgate, opening	47
Tank gauge	65
Technical data	259
Technical data, radio/audio	108
Temperature control, ACC	81
Temperature gauge, engine	65
Temperature zones, ACC	81
Textile carpeting	243
Through-load hatch	132
Tie Downs	132
Tightening torque, wheel studs	239
Time display	105
Tip, driving at night	183
Tip, to avoid theft	168
Tips, ACC	86
Tire chains	231
Tire date code	237
Tire inspection and rotation	226
Tire markings	233
Tire pressure	184
Tire sidewall labeling	232
Tire terminology and definitions	234
Tire, compact spare	237
Tires	225, 268
Tires, winter	268
Tools	185

Touching-in the paintwork	245
Towbar attachment	176
Towbar load	180
Towing the car	185
Towing, automatics	185
Traffic programme	99
Trailer weights	261
Treadwear indicators	227
Trionic	194
Trip computer	68
Trip meter	64
Trunk	130
Trunk lid, opening	47
Tuning	93
Turbo gauge	66
Turbo, points to note	146

**U**

Under the hood	193
Uniform tire quality grading	229
Upholstery and trim	243
Upholstery and trim, care of	243

**V**

Vanity mirrors	125
Vehicle Data Collection	257
Ventilated front seats	87
Viscosity, engine oil	262

**W**

Warning labels	7
Warning light, AIR BAG	37
Warning lights	58
Washers	205
Washers, windshield	206
Washing the car	244
Waxing and polishing	245
Wear indicators, tires	227
What Will You See After an Airbag Inflates?	38
Wheel replacement	230
Wheel, change	239
Wheels and tires	268
Wheels and tires, sizes	268
When it is time for new tires	227
Windshield washers	77
Windshield wipers	77
Winter tires	236, 268
Wiper blades, replacing	205
Wipers and washers	77, 205

**X**

Xenon headlight	207
-----------------	-----

(This page has been left blank.)





















