

Foreword

The inside pages of this manual contain a minimum of 50% recycled fibers, including 10% post-consumer fibers. 

Welcome to the growing family of new NISSAN owners. This vehicle has been delivered to you with confidence. It was produced using the latest techniques and strict quality control.

This manual was prepared to help you understand the operation and maintenance of your vehicle so that you may enjoy many miles of driving pleasure. Please read through this manual before operating your vehicle.

A separate “Warranty Information Booklet” explains details about the warranties covering your vehicle.

Your NISSAN dealer knows your vehicle best. When you require any service or have any questions, he will be glad to assist you with the extensive resources available to him.

IMPORTANT SAFETY INFORMATION


REMINDERS FOR SAFETY!

Follow these five important driving rules to help ensure a safe and complete trip for you and your passengers

- **NEVER** drive under the influence of alcohol or drugs.
- **ALWAYS** observe posted speed limits and never drive too fast for conditions.
- **ALWAYS** use your seat belts and appropriate child restraint systems.
- **ALWAYS** provide information about the proper use of vehicle safety features to all occupants of the vehicle.
- **ALWAYS** review this owner’s manual for important safety information.

NOTES ON THE INFORMATION CONTAINED IN THIS OWNER’S MANUAL

This owner’s manual contains descriptions and operating instructions for all systems, features and optional equipment that might appear in any model of this vehicle built for any destination in North America, including the continental United States, Canada and Hawaii. Therefore, you may very well find information in this manual that does not apply to your vehicle.

For descriptions specified for 4-wheel drive models, a  mark is placed at the beginning of the applicable sections/items.

As with other vehicles with features for off-road use, failure to operate 4-wheel drive models correctly may result in loss of control or an accident. Be sure to read “Driving 4-Wheel Drive Safely” in the “Starting and driving” section of this manual.

ON-PAVEMENT AND OFF-ROAD DRIVING

This vehicle will handle and maneuver differently from an ordinary passenger car because it has a higher center of gravity for off-road use. As with other vehicles with features of this type, failure to operate this vehicle correctly may result in loss of control or an accident.

Be sure to read “On-pavement and off-road driving precautions” and “Avoiding collision and rollover” in the “Starting and driving” section of this manual.

MODIFICATION OF YOUR VEHICLE

This vehicle should not be modified. Modification could affect its performance, safety or durability, and may even violate governmental regulations. In addition, damage or performance problems resulting from modification may not be covered under NISSAN warranties.

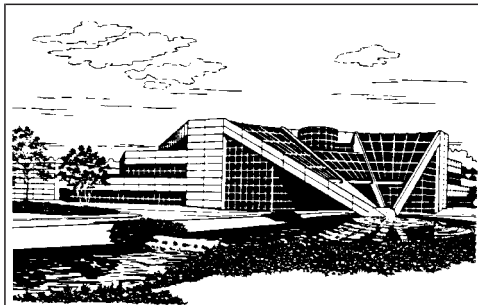
All information, specifications and illustrations in this manual are those in effect at the time of printing. NISSAN reserves the right to change specifications or design without notice and without obligation.

© 1996 NISSAN NORTH AMERICA, INC.
U.S.A.

All rights reserved. No part of this Owner's Manual may be reproduced or stored in a retrieval system, or transmitted in any form, or by any means, electronic, mechanical, photocopying, recording or otherwise, without the prior written permission of Nissan North America, Inc.

Welcome To The World Of NISSAN

The inside pages of this manual contain a minimum of 50% recycled fibers, including 10% post-consumer fibers. 



NISSAN RESEARCH & DEVELOPMENT, INC.
in Farmington Hills, Michigan



NISSAN MOTOR MANUFACTURING CORPORATION
U.S.A. in Smyrna, Tennessee AFW0001

Your new Nissan is the result of our dedication to produce the finest in safe, reliable and economical transportation. Your vehicle is the product of a successful worldwide company that manufactures cars and trucks in over 17 countries and distributes them in 170 nations.

Nissan vehicles are designed and manufactured by Nissan Motor Co., Ltd. which was founded in Tokyo, Japan in 1933, and Nissan affiliates world wide, collectively growing to become the fifth largest automaker in the world. In addition to cars and trucks, Nissan also makes textile machinery, fork-lift trucks, marine engines, boats and other products.

Nissan has made a substantial and growing investment in North America, starting with the opening of Nissan Motor Corporation U.S.A. in 1960, and continuing with the production of some cars and trucks at one of the world's most

modern manufacturing facilities, Nissan Motor Manufacturing Corporation U.S.A. in Smyrna, Tennessee, vehicle styling at Nissan Design International in San Diego, California, and engineering at Nissan Research and Development in Farmington Hills, Michigan.

Nissan Motor Corporation U.S.A. and its dealers indirectly employ about 60,000 Americans.

Nissan is also a substantial contributor to the Canadian economy. Nissan Canada Inc., its suppliers and over 170 dealers employ approximately 4,500 people. These include company employees and the staffs of Nissan dealers all across Canada. In addition, many Canadians work for companies that supply Nissan and Nissan dealers with materials and services ranging from operation of port facilities and transportation services to the supply of lubricants, parts and accessories.

Nissan pioneered the use of electronics and computers in automobiles, and has led the industry in improving both performance and fuel efficiency through new engine designs and the use of synthetic materials to reduce vehicle weight. The company has also developed ways to build quality into its vehicles at each stage of the production process, both through extensive use of automation and — most importantly — through an awareness that **people** are the central element in quality control.

From the time the parts arrived from our suppliers until you took delivery of your new Nissan, dozens of checks were made to ensure that only the best job was being done in producing and delivering your vehicle. Nissan also takes great care to ensure that when you take your Nissan to your dealer for maintenance, the service technician will perform his work according to the quality standards that have been established by the factory.

Safety has also been built into your Nissan. As you know, seat belts are an integral part of the safety systems that will help protect you and your passengers in the event of a sudden stop or an accident. We urge you to use the belts every time you drive the vehicle.

The Nissan story of growth and achievement reflects our major goal: to provide you, our customer, with a vehicle that is built with quality and craftsmanship — a product that we can be proud to build and you can be proud to own.

NISSAN CUSTOMER CARE PROGRAM

NISSAN CARES ...

Both NISSAN and your NISSAN dealer are dedicated to serving all your automotive needs. Your satisfaction with your vehicle and your NISSAN dealer are our primary concerns. Your NISSAN dealer is always available to assist you with all your automobile sales and service needs.

However, if there is something that your NISSAN dealer cannot assist you with or you would like to provide NISSAN directly with comments or questions, please contact our (NISSAN's) Consumer Affairs Department using our toll-free number:

For U.S. mainland customers
1-800-NISSAN-1 (1-800-647-7261)
For Hawaii customers
(808) 836-0888 (Oahu Number)
For Canada customers
1-800-387-0122

The Consumer Affairs Department will ask for the following information:

- Your name, address, and telephone number
- Vehicle identification number (on dashboard)
- Date of purchase
- Current odometer reading
- Your NISSAN dealer's name
- Your comments or questions

We appreciate your interest in NISSAN and thank you for buying a quality NISSAN vehicle.

OR

You can write to NISSAN with the information on the left at:

For U.S. mainland and Alaska customers
Nissan Motor Corporation U.S.A.
Consumer Affairs Department
P.O. Box 191
Gardena, California 90248-0191

For Hawaii customers
Nissan Motor Corporation in Hawaii
2880 Kilihau St.
Honolulu, Hawaii 96819

For Canada customers
Nissan Canada Inc.
P.O. Box 1709, Station "B"
Mississauga, Ontario L4Y 4H6

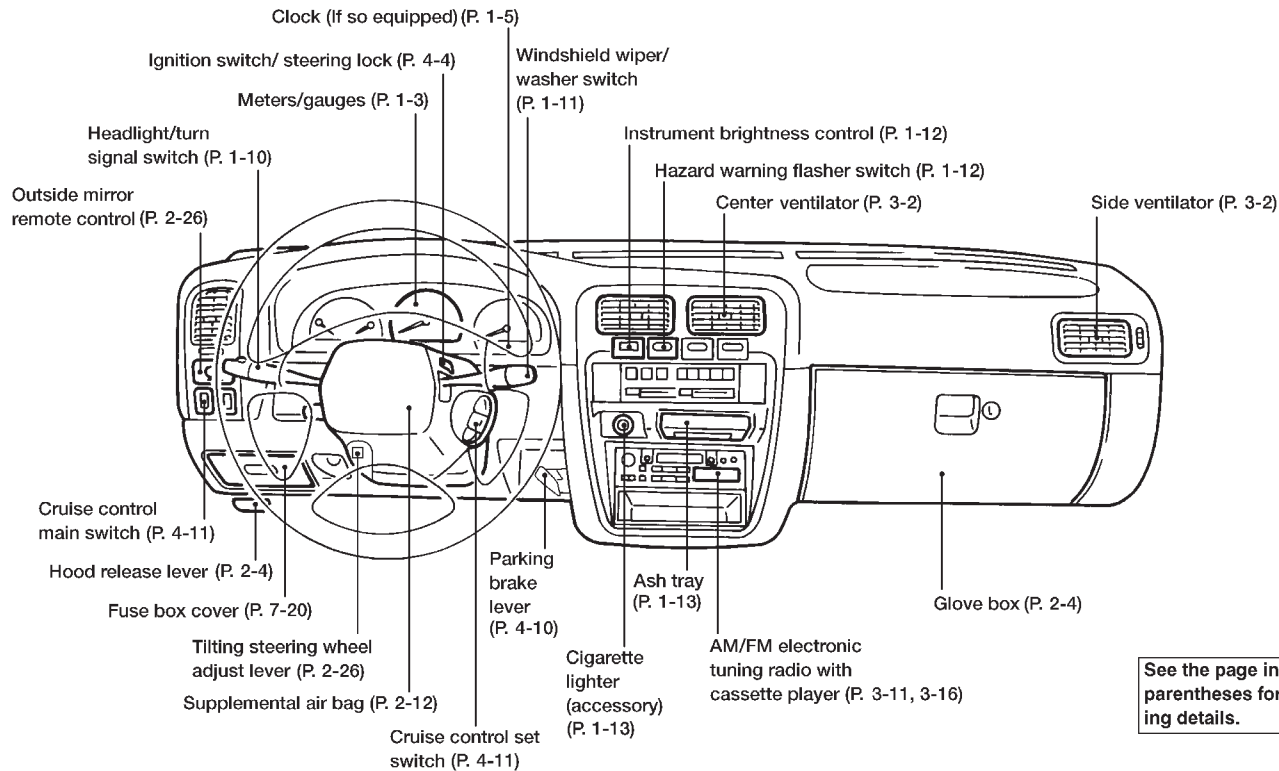
Contents

Instruments and controls	1
Pre-driving checks and adjustments	2
Heater, air conditioner and audio system	3
Starting and driving	4
In case of emergency	5
Appearance and interior care	6
Do-it-yourself operations	7
Maintenance schedule	8
Technical and consumer information	9
Index	10

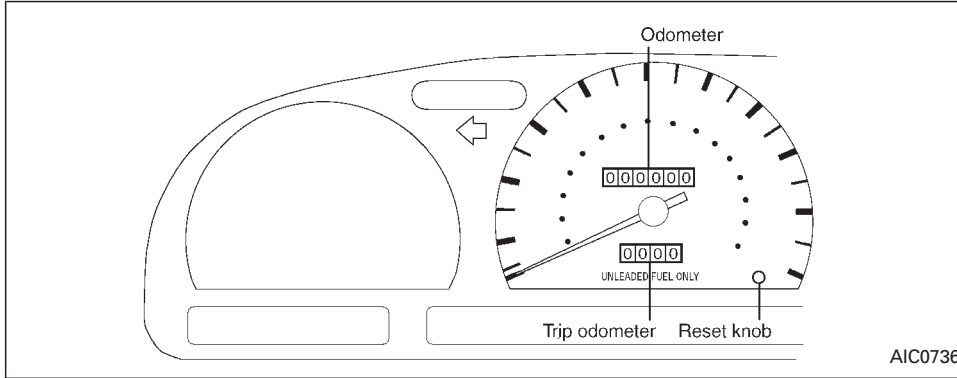
1 Instruments and controls

Meters and gauges	1-2
Speedometer and odometer	1-3
Tachometer (If so equipped)	1-3
Engine coolant temperature gauge	1-4
Fuel gauge	1-4
Instrument cluster clock (If so equipped)	1-5
Warning/indicator lights and chimes	1-6
Headlight and turn signal switch	1-10
Windshield wiper and washer switch	1-11
Instrument brightness control	1-12
Hazard warning flasher switch	1-12
Cigarette lighter (accessory) and ash tray	1-13
Cup holder (If so equipped)	1-13
Interior light and cargo light	1-14
Map light (If so equipped)	1-14
Manual window	1-15
Power window (If so equipped)	1-15
Rear sliding window (If so equipped)	1-16
Opera window (If so equipped)	1-17
Sunroof (If so equipped)	1-17

METERS AND GAUGES



SPEEDOMETER AND ODOMETER



Speedometer

The speedometer indicates vehicle speed.

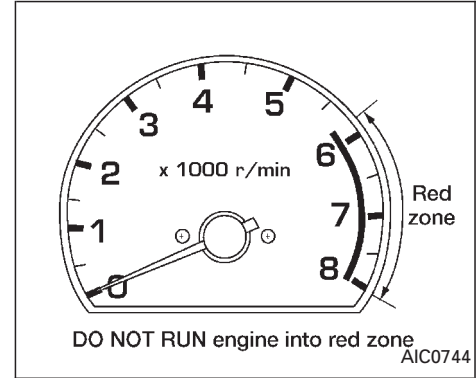
Odometer

The odometer records the total distance the vehicle has been driven.

Trip odometer

The trip odometer records the distance of individual trips. Before each trip, set the trip odometer to zero by pushing the RESET knob.

TACHOMETER (If so equipped)

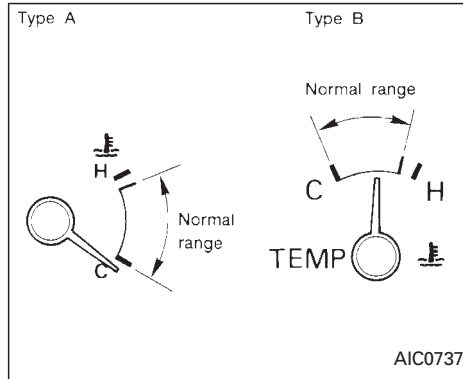


The tachometer indicates engine speed in revolutions per minute (r/min).

CAUTION

When engine speed approaches the red zone, shift to a higher gear. Operating the engine in the red zone may cause serious engine damage.

ENGINE COOLANT TEMPERATURE GAUGE



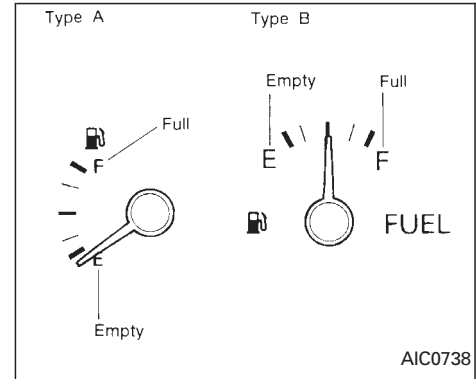
The gauge indicates the engine coolant temperature.

The engine coolant temperature varies with the outside air temperature and driving conditions.

CAUTION

If the gauge indicates over the normal range, stop the vehicle as soon as safely possible. If the engine is overheated, continued operation of the vehicle may seriously damage the engine. See the "In case of emergency" section for immediate action required.

FUEL GAUGE



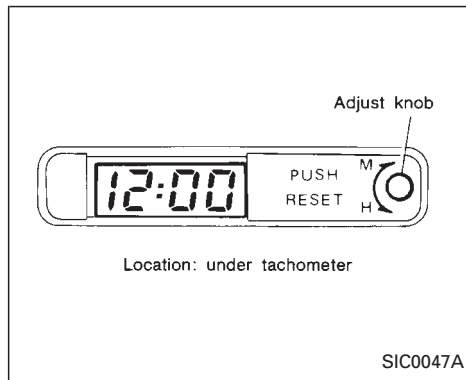
The gauge indicates the APPROXIMATE fuel level in the tank.

The gauge may move slightly during braking, turning, acceleration, or going up or downhill.

The gauge needle is designed to hold its position when the ignition key is turned OFF.

Refill the fuel tank before the gauge registers E.

INSTRUMENT CLUSTER CLOCK (If so equipped)



The digital clock displays time regardless of ignition switch position. When the ignition key is in the ACC or ON position, the clock illuminates.

Adjusting the time

Turn the adjust knob counterclockwise to advance the hour display.

Turn the adjust knob clockwise to advance the minute display.












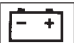


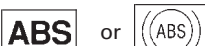
Resetting the time

To reset the time to the time signal, push the adjust knob.

For example, if the adjust knob is depressed while the time is between 8:00 and 8:29, the display resets to 8:00. If depressed while it is between 8:30 and 8:59, the display resets to 9:00.



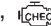


Once the power supply is disconnected, the clock starts to operate from the time 1:00. It may be necessary to adjust the time.

WARNING/INDICATOR LIGHTS AND CHIMES

	Turn signal/hazard indicator lights		Low washer fluid warning light		Supplemental air bag warning light
	or BRAKE Brake warning light		4-wheel drive indicator light		
	High beam indicator light		“CRUISE” indicator light		
	Seat belt reminder light and chime		Overdrive off indicator light		
	Engine oil pressure warning light		Door open warning light		
	Charge warning light		Malfunction indicator light		
	Low fuel warning light		Rear anti-lock brake warning light		

Checking bulbs


Apply the parking brake and turn the ignition key to ON without starting the engine. The following lights come on:

 ,  ,  ,  OR **BRAKE** , 

The following lights come on briefly and then go off:

ABS or  ,  , 

If any light fails to come on, it may indicate a burned-out bulb or an open circuit in the electrical system. Have the system repaired promptly.

 Turn signal/hazard indicator lights

These lights flash when the turn signal switch or hazard switch is turned on.

 or **BRAKE** Brake warning light

This light functions for both the parking brake and the foot brake systems.

Parking brake indicator

The light comes on when the parking brake is applied.

Low brake fluid warning


The light warns of a low brake fluid level. If the light comes on while the engine is running with the parking brake not applied, stop the vehicle and perform the following:

1. Check the brake fluid level. Add brake fluid as necessary. See “Brake and clutch fluid” in the “Do-it-yourself operations” section.
2. If the brake fluid level is correct, check the warning system.

 **WARNING**

- **If you judge it to be safe, drive carefully to the nearest service station for repairs. Otherwise have your vehicle towed because driving it could be dangerous.**


- **Pressing the brake pedal when the engine stops and/or has a low brake fluid level may increase your stopping distance and require greater pedal effort as well as pedal travel.**

 High beam indicator light

This blue light comes on when the headlight high beam is on and goes out when the low beams are selected.

 Seat belt reminder light and chime

The light and chime remind you to fasten your seat belts. If the driver's seat belt is NOT securely fastened when the ignition key is turned to ON or START, the chime sounds five times and the light illuminates.

 Supplemental air bag warning light


When the ignition key is in the ON or START position, the supplemental air bag light illuminates for about 7 seconds and then turns off. This means the system is operational.

If any of the following conditions occur, the

supplemental air bag needs servicing and your vehicle must be taken to your nearest authorized NISSAN dealer:

1. The supplemental air bag light does not come on and remain on for 7 seconds and then go off as described above.
2. The supplemental air bag light flashes intermittently or remains on.
3. The supplemental air bag light does not come on at all.

Unless checked and repaired, the Supplemental Restraint System (Supplemental air bag system) may not function properly. For additional details on the Supplemental Restraint System (Supplemental air bag system), see the “Pre-driving checks and adjustments” section.

 Engine oil pressure warning light

This light warns of low engine oil pressure. If the light flickers or comes on during normal driving, pull off the road in a safe area, stop the engine **immediately** and call a NISSAN dealer or other authorized repair shop.

The oil pressure warning light is not designed to indicate a low oil level. Use

the dipstick to check the oil level. See “Engine oil” in the “Do-it-yourself operations” section.

 **CAUTION**


Running the engine with the oil pressure warning light on could cause serious damage to the engine.

 **Charge warning light**

If the light comes on while the engine is running, it may indicate something wrong with the charging system. Turn the engine off and check the alternator belt. If the belt is loose, broken, missing or if the light remains on, see your NISSAN dealer immediately.

 **CAUTION**

Do not continue driving if the belt is loose, broken or missing.

 **Low fuel warning light**
(If so equipped)

This light comes on when the fuel in the tank is getting low. Refuel as soon as it is con-

venient, preferably before the fuel gauge reaches E.

There should be a small reserve of fuel remaining in the tank when the fuel gauge needle reaches E.



Low washer fluid warning light (Canada only)

This light comes on when the washer tank fluid is at a low level. Add washer fluid as necessary. See “Window washer fluid” in the “Do-it-yourself operations” section.



4-wheel drive indicator light


This light comes on when the transfer shift control lever is in the 4H or 4L position.



CRUISE indicator light (If so equipped)

The light comes on while the vehicle speed is controlled by the cruise control system.

If the light flickers while the engine is running, it may indicate something wrong with the cruise control system. Have the system checked by your NISSAN dealer.

ABS or  **Rear anti-lock brake warning light**

If the light comes on while the engine is running, it may indicate something wrong with the rear anti-lock brake system. Have the system checked by your NISSAN dealer.

If an abnormality occurs in the system, the rear anti-lock function ceases but the ordinary brakes continue to operate normally.

If the light comes on while you are driving, contact your NISSAN dealer for repair.



The rear anti-lock brake system may only be effective when driving in the 2-wheel drive mode.

When driving in the 4-wheel drive mode, if the front wheels lock, the rear wheels also lock. If this happens, the rear anti-lock brake system may stop functioning but the ordinary brakes operate normally. The warning light then comes on. The above condition is not a malfunction and the rear anti-lock brake system recovers if the engine is started again. The warning light then goes off. For further description of the rear anti-lock brake system, refer to “Rear anti-lock brake system” in the “Starting and driving” section.



Overdrive off indicator light (if so equipped)

This light comes on when the overdrive switch is pushed to the OFF position.

Key reminder chime

The chime sounds when the driver side door is opened if the key is left in the ignition switch. Take the ignition key when you leave the vehicle.

Light reminder chime

A chime sounds if the driver's door is opened with the light switch on unless the ignition key is in the ON position. Turn the light switch off when you leave the vehicle.

Brake pad wear warning

The disc brake pads have audible wear warnings. When a brake pad requires replacement, it makes a high pitched scraping sound when the vehicle is in motion whether or not the brake pedal is depressed. Have the brakes checked as soon as possible if the warning sound is heard.



Malfunction indicator light (MIL)

If the Malfunction indicator light comes on

steady or blinks while the engine is running, it may indicate a potential emission control problem.

The Malfunction indicator light will come on in one of two ways:

- Malfunction indicator light on steady - An emission control system malfunction has been detected. Have the vehicle inspected by an authorized NISSAN dealer. You do not need to have your vehicle towed to the dealer.
- Malfunction indicator light blinking - An engine misfire has been detected which may damage the emission control system. To reduce or avoid emission control system damage:
 - do not drive at speeds above 45 MPH (72 km/h).
 - avoid hard acceleration or deceleration.
 - avoid steep uphill grades.
 - if possible, reduce the amount of cargo being hauled or towed.

The malfunction indicator light may stop blinking and come on steady.

Have the vehicle inspected by an authorized NISSAN dealer. You do not need to

have your vehicle towed to the dealer.



CAUTION

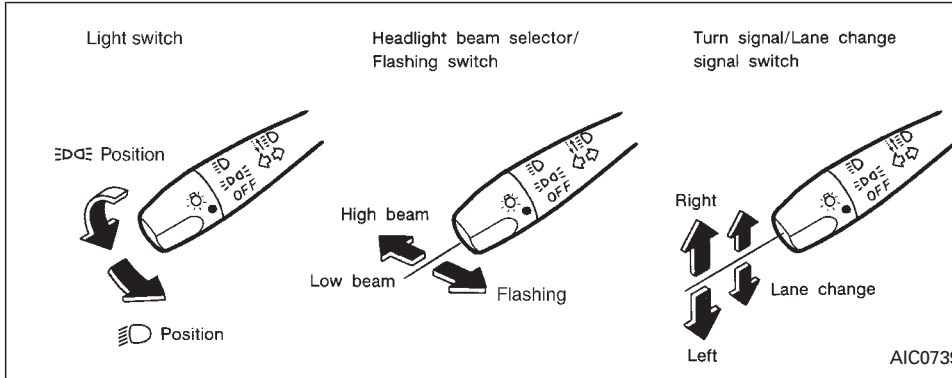
- **Continued vehicle operation without having the emission control system checked and repaired as necessary could lead to poor driveability, reduced fuel economy, and possible damage to the emission control system, which may affect your warranty coverage.**

Some conditions may cause the malfunction indicator light to come on steady or blink. Examples are as follows:


- vehicle ran out of fuel, which caused the engine to misfire.
- fuel filler cap was left off or improperly installed, allowing fuel to evaporate into the atmosphere.


If you suspect that you experienced one or both of the above conditions, drive the vehicle to an authorized NISSAN dealer and have the vehicle inspected. Avoid any unnecessary diagnosis during the service by informing the dealer of the conditions listed above that may have occurred.

HEADLIGHT AND TURN SIGNAL SWITCH





Lighting

Turn the switch to the  position. The side marker, tail, license plate and instrument lights come on.

Turn the switch to the  position. Headlights come on and all the other lights remain on.

To select the high beam, push the lever forward. Pull it back to select the low beam.

DAYTIME RUNNING LIGHT SYSTEM (Canada only)

The headlights automatically illuminate at a reduced intensity when the engine is started with the parking brake released. The daytime running lights operate with the headlight switch in the "OFF" position or in the  position. Turn the headlight switch to the  position for full illumination when driving at night. If the parking brake is applied before the engine is started, the daytime running lights do not illuminate. The daytime running lights illuminate once the parking brake is released. The daytime run-

ning lights will remain on until the ignition switch is turned off.

WARNING

When the daytime running light system is active, tail lights on your vehicle will not be on. It is necessary at dusk to turn on your headlights. Failure to do so could cause an accident injuring yourself and others.

Passing signal

Pulling the lever toward you turns on the headlight high beam.

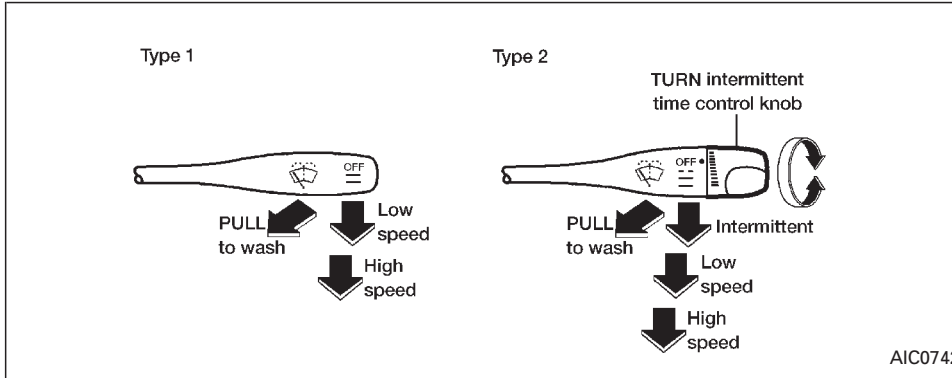
Turn signal

Move the lever up or down to signal the turning direction. When the turn is completed, the turn signal cancels automatically.

Lane change signal

To indicate a lane change, move the lever up or down to the point where the indicator light begins to flash, but the lever does not latch.

WINDSHIELD WIPER AND WASHER SWITCH



The ignition switch must be in the ACC or ON position for the wipers or washer to be activated. Push the lever down to operate the wipers, and pull the lever toward you to operate the washer. Operating the washer automatically cycles the wipers several times.

Intermittent wiper operation can be adjusted from 4 to 12 seconds by turning the time control knob (Type 2 only).

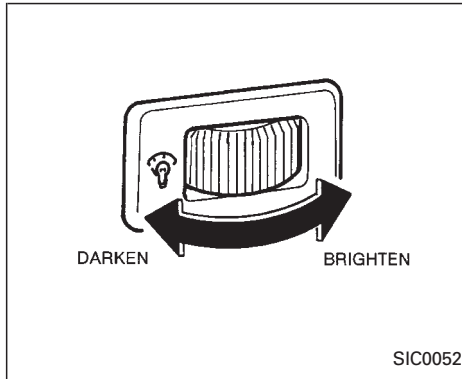
⚠ WARNING



In freezing temperatures the washer solution may freeze on the windshield and obscure your vision. Warm the windshield with the defroster before you wash the windshield.

⚠ CAUTION

- Do not operate the washer continuously for more than 30 seconds.
- Do not operate the washer if the reservoir tank is dry.

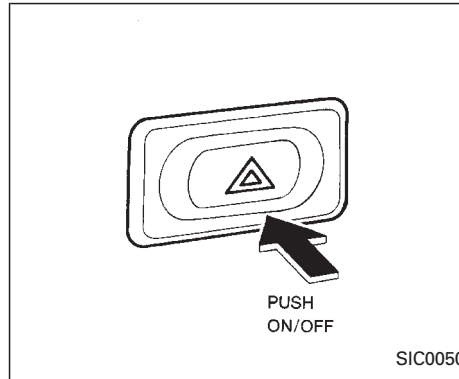
INSTRUMENT BRIGHTNESS CONTROL



The instrument brightness control operates when the light switch is in the  or  position.

Turn the control to adjust the brightness of the instrument panel lights.

HAZARD WARNING FLASHER SWITCH



Push the switch on to warn other drivers when you must stop or park under emergency conditions. All turn signal lights flash.

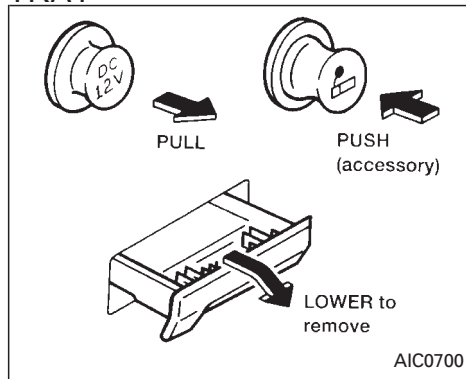
WARNING

- **When stalled or stopped on the roadway under emergency conditions, move the vehicle well off the road.**

- Do not use the hazard warning flashers while moving on the highway unless unusual circumstances force you to drive so slowly that your vehicle might become a hazard to other traffic.
- Some state laws may prohibit the use of the hazard warning flasher switch while driving.
- Turn signals do not work when the hazard warning flasher lights are on.

The flasher can be actuated with the ignition switch in any position.

CIGARETTE LIGHTER (ACCESSORY) AND ASH TRAY



The cigarette lighter element is an accessory. A genuine NISSAN cigarette lighter or equivalent can be purchased from your local NISSAN dealer.

The cigarette lighter operates when the ignition switch is in the ACC or ON position.

Push the lighter in all the way. When the lighter is heated, it springs out.

Return the lighter to its original position after use.

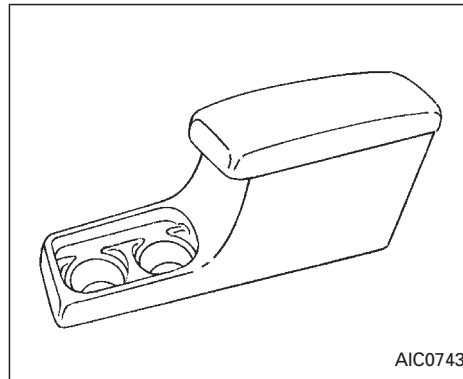
WARNING

The cigarette lighter should not be used while driving in order that full attention may be given to the driving operation.

CAUTION

The cigarette lighter socket is a power source for the cigarette lighter element only. The use of the cigarette lighter socket as a power source for any other accessory is not recommended.

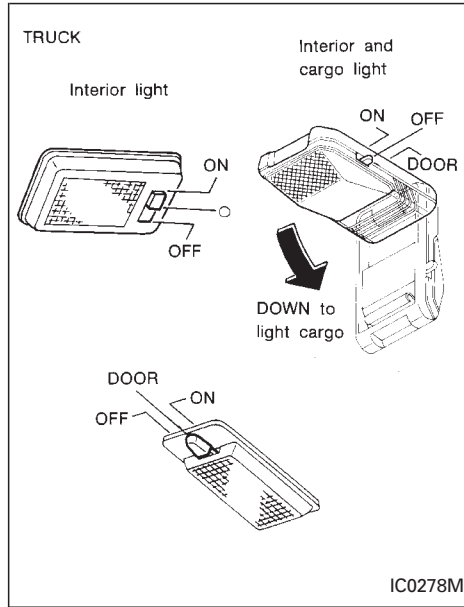
CUP HOLDER (If so equipped)



WARNING

- Avoid abrupt starting and braking when the cup holder is being used to prevent spilling the drink. If the liquid is hot, it can scald you or your passenger.
- The cup holder should not be used while driving in order that full attention may be given to the driving operation.

INTERIOR LIGHT AND CARGO LIGHT



The interior light has a three-position switch and operates regardless of ignition key position.

- When the switch is in the OFF position, the interior light does not illuminate, regardless of door position.

- When the switch is in the center ○ or DOOR position, the interior light illuminates by opening the doors.
- When the switch is in the ON position, the interior light illuminates whether any door is opened or closed.

Cargo light operation

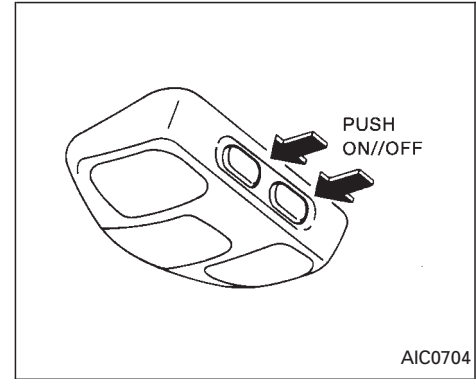
On King Cab models, the light can be used as a cargo light by simply pulling the light down. This light is convenient at night when loading cargo.

For further information regarding personal light bulb replacement, refer to "Bulb replacement" in the "Do-it-yourself operations" section.

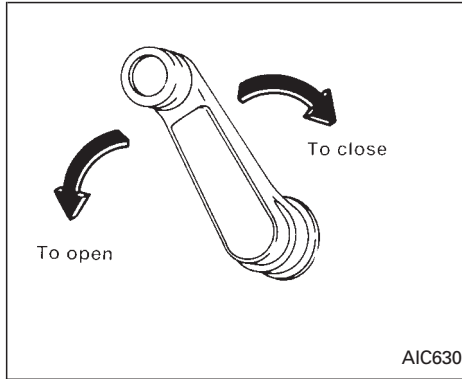
NOTE:

Leaving the interior light switch in the ON position for extended periods of time will result in a discharged battery.

MAP LIGHT (If so equipped)

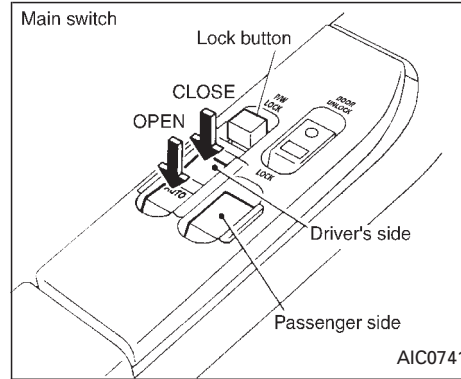


MANUAL WINDOW



The side windows can be opened or closed by turning the hand crank on each door. To open the window, turn the crank counter-clockwise. To close the window, turn the crank clockwise.

POWER WINDOW (If so equipped)

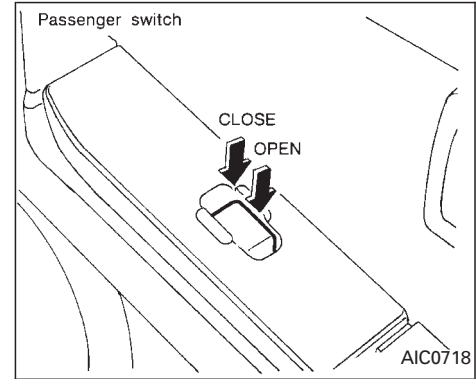


The power window operates when the ignition key is ON.

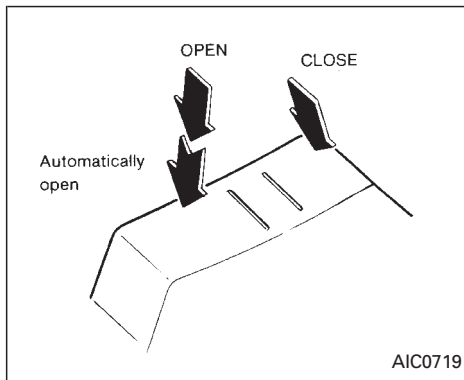
To open or close the window, press the switch and hold it down. The main switch (driver's switches) also opens or closes the passenger side window.

Locking passenger's window

When the lock button is pushed in, only the driver side window can be opened or closed. Push it in again to cancel.



The passenger switch opens or closes the passenger's window. To open or close the window, hold the switch down.



POWER WINDOW AUTOMATIC SWITCH

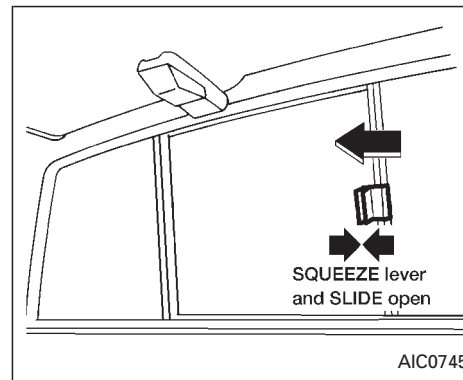
To fully open the driver side window, completely press down the switch and release it; it need not be held. The window automatically opens all the way. To stop the window, just press the opposite side of the switch.

A light press on the switch causes the window to open while the switch is pressed.

WARNING

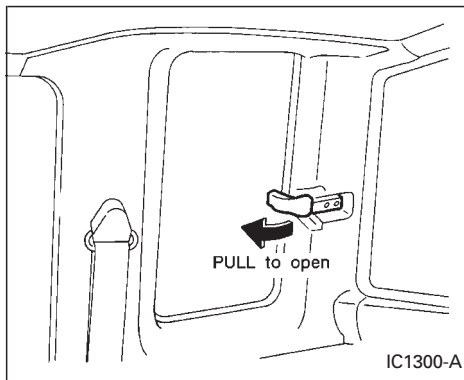
- Make sure that all passengers have their hands, etc. inside the vehicle before closing the windows.
- Do not leave children unattended inside the vehicle. They may inadvertently activate switches.

REAR SLIDING WINDOW (If so equipped)

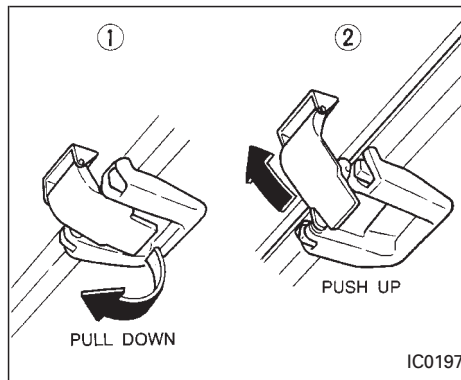


Pull the lever up to unlock, then slide the window open.

OPERA WINDOW (If so equipped)



SUNROOF (If so equipped)



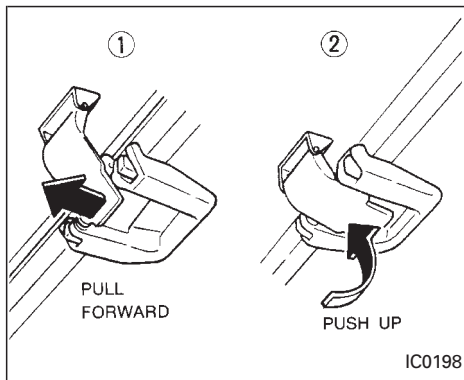
- Remove water drops, snow, ice or sand from the sunroof before opening.
- Do not place any heavy object on the sunroof or surrounding area.

Tilting up

Pull the handle down, then push the handle up to the fully tilted position.

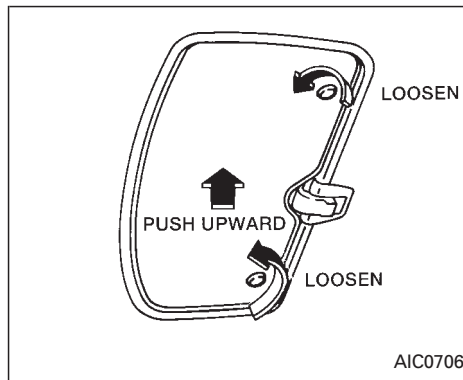
WARNING

- While closing the sunroof, be extremely careful not to have any part of your body in the sunroof opening.
- Do not stand up or extend any portion of your body out of the opening while driving.



Closing

Pull the handle forward to unlock, then push the handle up completely.



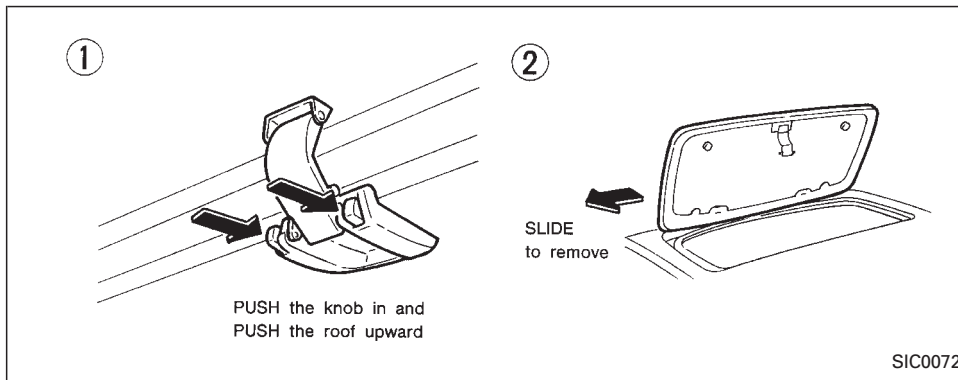
Removing the sunshade

1. Turn each knob counterclockwise while lifting the sunshade upward.
2. Slide the shade backward to remove it.

Installing the sunshade

1. Insert two hooks on front edge of sunshade into holders on the roof.
2. Align two bolts on rear edge of sunshade with lock nuts, then securely tighten the bolts.

Do not remove or install the sunshade while driving.

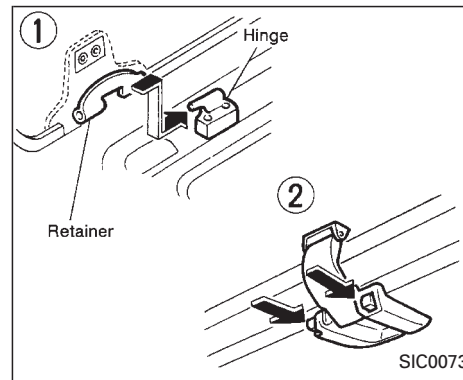


Removing the sunroof

1. Remove the sunshade before removing the sunroof.
2. Tilt the roof.
3. Push the knob located on each end of the handle and push the roof upwards to disengage the handle linkage.
4. Pull the sunroof up from outside of the vehicle until it is perpendicular to the roof panel.

5. Slide the sunroof to the left and remove the roof.

Do not remove the roof while driving.



Installing the roof

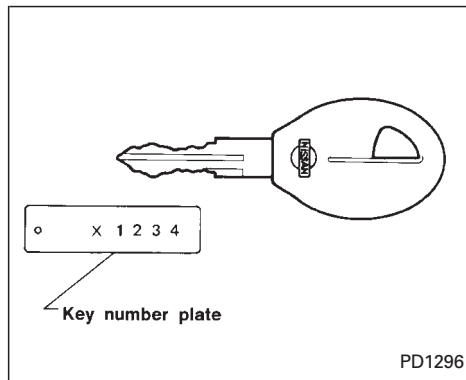
1. While placing the sunroof perpendicular to the roof panel, position the sunroof and engage the retainer with the hinge.
2. Slide the roof to the right until the red mark on the hinge disappears.
3. Carefully lower the panel, making sure it is in line with the roof opening.
4. Engage the handle linkage.

Be sure the sunroof is securely installed.

2 Pre-driving checks and adjustments

Key	2-2
Door locks	2-2
Hood release	2-4
Glove box lock (If so equipped)	2-4
Fuel filler cap	2-5
Tailgate latch	2-5
Tie down hook	2-7
Front separate seats	2-8
Bench seat	2-10
Jump seat	2-11
Supplemental restraint system (Supplemental air bag system)	2-12
Supplemental air bag system	2-13
Warning labels	2-15
Supplemental air bag warning light	2-15
Seat belts	2-17
Child restraints for infants and small children ..	2-22
Tilting steering wheel (If so equipped)	2-26
Outside mirror remote control (If so equipped) .	2-26
Outside mirrors	2-26
Inside mirror	2-27
Vanity mirror (If so equipped)	2-27

KEY

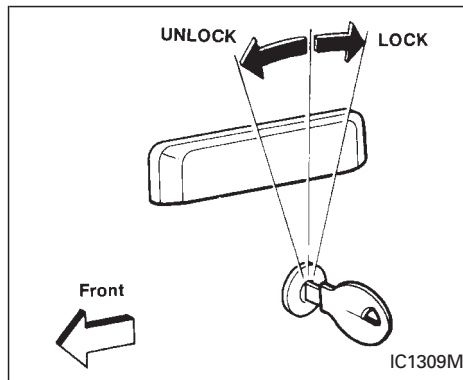


A key number plate is supplied with your key.

Record the key number found on the key number plate and keep it in a safe place (such as your wallet), **NOT IN THE CAR**. If you lose your keys, see your NISSAN dealer for duplicates by using the key number. NISSAN does not record key numbers so it is very important to keep track of your key number plate.

A key number is only necessary when you have lost all keys and do not have one to duplicate from. If you still have a key, this key can be duplicated by your NISSAN dealer or locksmith shop.

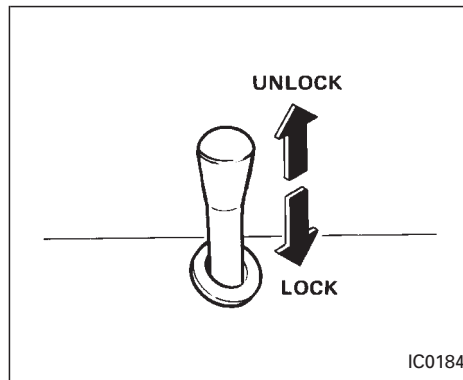
DOOR LOCKS



Locking doors with key

To lock the door, turn the key towards the back of the vehicle. To unlock, turn it towards the front.

On power door lock equipped models, locking the driver's door simultaneously locks the passenger's door.



Locking doors without key

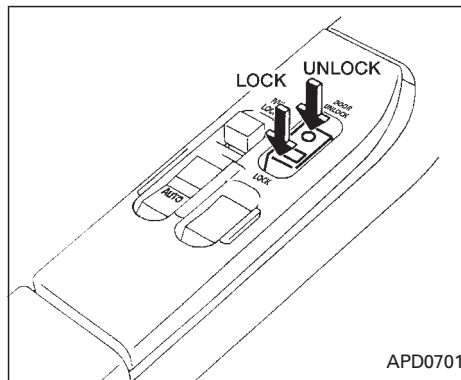
To lock from the outside without a key, push the inside lock knob to the lock position, then close the door.

When locking the door this way, be certain not to leave the key inside the vehicle.

WARNING

Always have the doors locked while driving. Along with the use of seat belts, this provides greater safety in the event of an accident by helping to

prevent persons from being thrown from the vehicle. This also helps keep children and others from unintentionally opening the doors, and will help keep out intruders.



POWER DOOR LOCK (If so equipped)

The power door lock system allows you to lock or unlock both doors simultaneously.

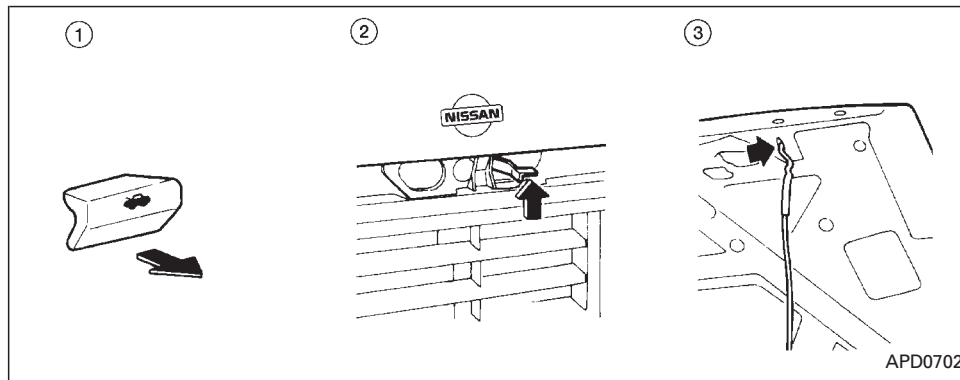
- Pressing the door lock/unlock button toward the rear of the vehicle locks both doors. Pressing the same button toward the front of the vehicle unlocks both doors.
- Turning the driver's door key toward the front of the vehicle unlocks both doors. Turning the key toward the back of the vehicle locks both doors.

- Pushing the driver's inside lock knob down locks both doors. Pulling the lock knob up unlocks both doors.

WARNING

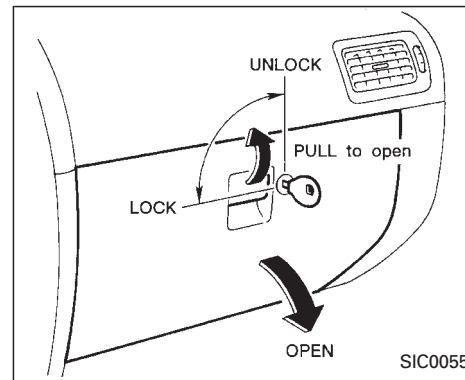
- Before opening the door, always look for and avoid oncoming traffic.
- Do not leave children unattended in a locked vehicle. If an emergency occurs, it will be difficult to help them.

HOOD RELEASE



1. Pull the hood lock release handle located below the instrument panel; the hood then springs up slightly.
2. Raise the lever at the front of the hood with your fingertips and raise the hood.
3. Insert the assist bar into the slot in the front edge of the hood.
4. When closing the hood, reset the assist bar to its original position, then slowly close the hood and make sure it locks into place.

GLOVE BOX LOCK (If so equipped)

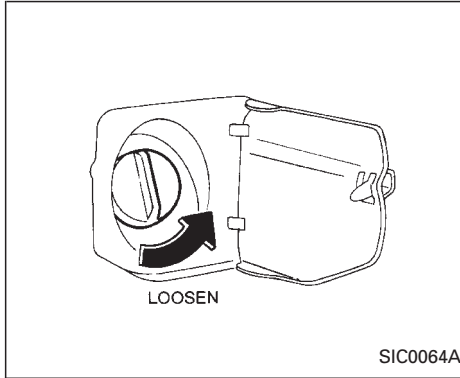


The glove box may be opened by turning the key as shown.

⚠ WARNING

Keep glove box lid closed while driving to prevent injury in an accident or during a sudden stop.

FUEL FILLER CAP



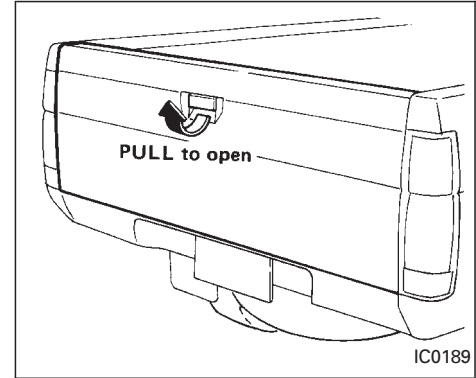
The fuel filler cap is a screw-on ratcheting type. Tighten the cap clockwise until ratcheting clicks are heard.

If the fuel filler cap is not tightened properly, the MIL may come on.

WARNING

- Gasoline is extremely flammable and highly explosive under certain conditions. Always stop the engine and do not smoke or allow open flames or sparks near the vehicle when refueling.
- Fuel may be under pressure. Turn the cap one-half turn and wait for any “hissing” sound to stop to prevent fuel from spraying out and possible personal injury. Then remove the cap.
- Use only a genuine NISSAN fuel filler cap as a replacement. It has a built-in safety valve needed for proper operation of the fuel system and emission control system. An incorrect cap can result in a serious malfunction and possible injury.
- If fuel is spilled on the vehicle body, flush it away with water to avoid paint damage.

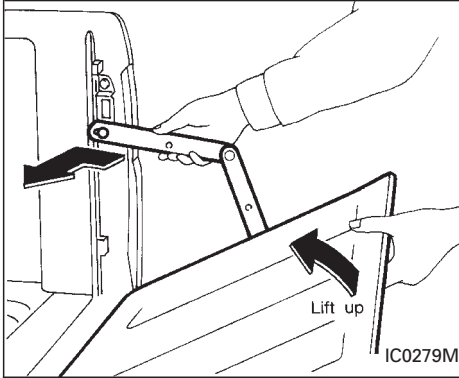
TAILGATE LATCH



Opening the tailgate

Pull the tailgate handle upward and lower the tailgate. The support stays hold the gate open.

When closing the tailgate, make sure the latches are securely locked.



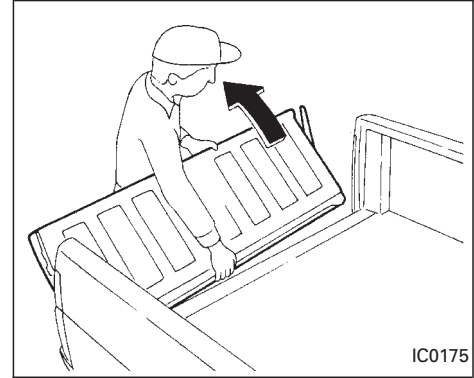
To open the tailgate down to the lowest position, lift the tailgate to an angle of about 45°, then release the stays.

Do not drive the vehicle with the tailgate down.

⚠ WARNING

- It is extremely dangerous to ride in a cargo area inside of a vehicle. In a collision, people riding in these areas are more likely to be seriously injured or killed.

- Do not allow people to ride in any area of your vehicle that is not equipped with seats and seat belts
- Be sure everyone in your vehicle is in a seat and using a seat belt properly.



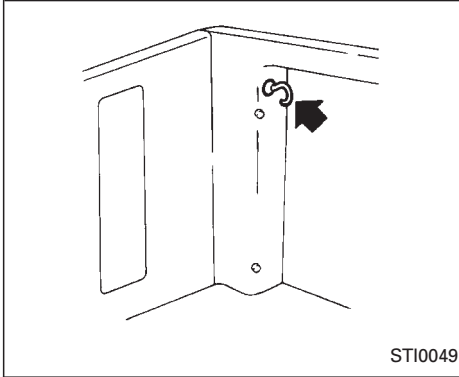
Removing the tailgate

1. Release the tailgate stays.
2. Hold the tailgate at an angle of 45 degrees to the horizontal.
3. Pull the tailgate out from the left side hinge.
4. Remove the tailgate from the right side hinge.

⚠ WARNING

The tailgate is heavy. Be careful not to drop it during removal.

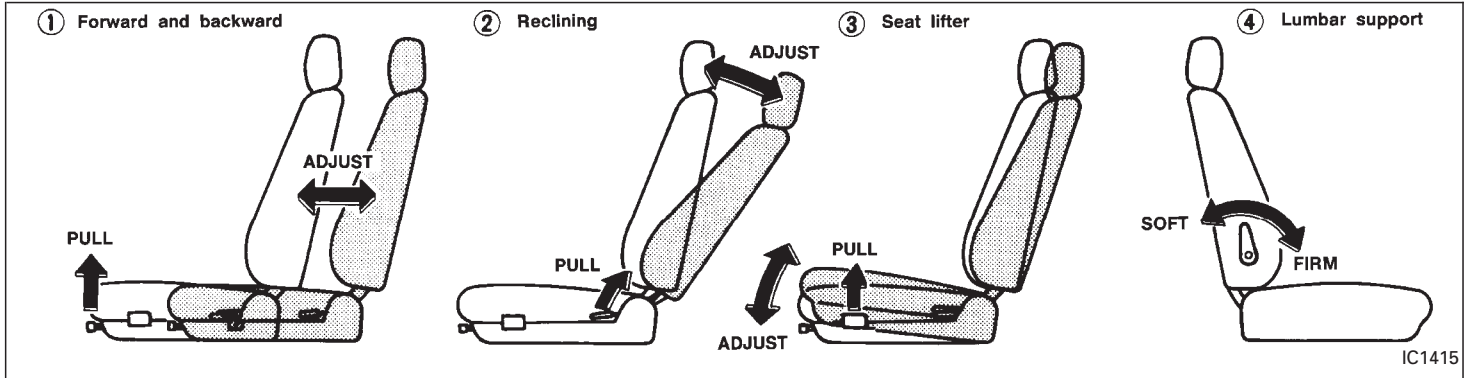
TIE DOWN HOOK



Tie down hooks are provided on the vehicle for your convenience.

- The weight of the cargo load must be evenly distributed over both the front and rear axles.
- All cargo should be securely fastened with ropes or straps to prevent it from shifting or sliding within the vehicle.

FRONT SEPARATE SEATS



SEAT ADJUSTMENT

WARNING

- Do not adjust the driver's seat while driving. The seat may move suddenly and could cause loss of control of the vehicle.
- After adjustment, gently rock in the seat to make sure it is securely locked.
- The seatback should not be reclined any more than needed for comfort. Seat belts are most effective when the passenger sits well back and

straight up in the seat. If the seat is reclined, the risk of sliding under the lap belt and being injured is increased.

① Forward and backward

Pull the lever up and hold it while you slide the seat forward or backward to the desired position. Release the lever to lock the seat in position.

② Reclining

Pull the lever up and lean back until the desired angle is obtained. To bring the seat

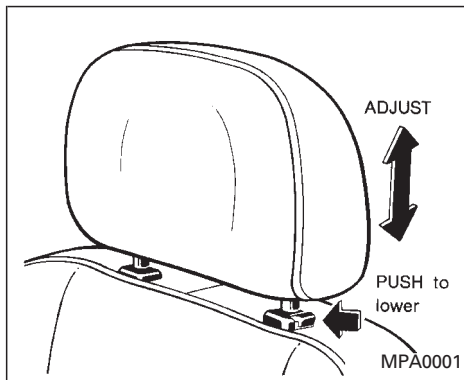
forward, pull the lever up and lean your body forward. The seatback moves forward. Release the lever to lock the seatback in position.

③ Seat lifter (driver's side only)

Pull the lever up and adjust the angle of the seat to the desired position. Release the lever to lock the seat in position.

④ Lumbar support

Turn the lever forward or backward to adjust the seat lumbar area.



HEAD RESTRAINTS

Adjust the top of the head restraints even with the top of your ears.

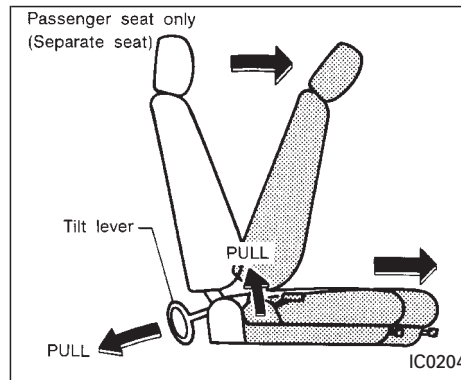
To raise the head restraint, pull it up. To lower, push the lock knob and move the head restraint down.

⚠ WARNING

Head restraints should be adjusted properly as they may provide significant protection against whiplash injury. Do not remove them. Check the adjustment after someone else uses the seat.

NOTE:

The head restraints on the bench-type seats are not adjustable.



TILTING FRONT SEPARATE SEAT

The front passenger seat can be tilted to make it easier for the jump seat passengers to get in and out.

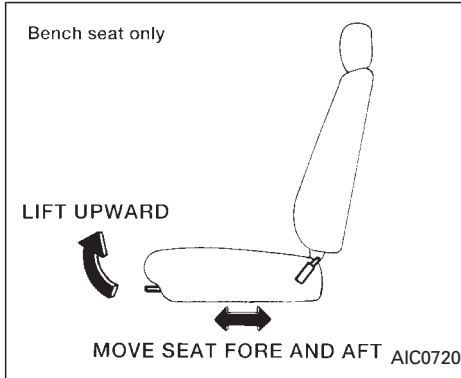
To tilt the seatback, pull the reclining lever up or pull the tilt lever. The seat automatically moves forward.

To return the seat, push the seatback up and move the whole seat backward until it locks.

⚠ WARNING

After adjustment, gently rock in the seat to make sure it is securely locked.

BENCH SEAT



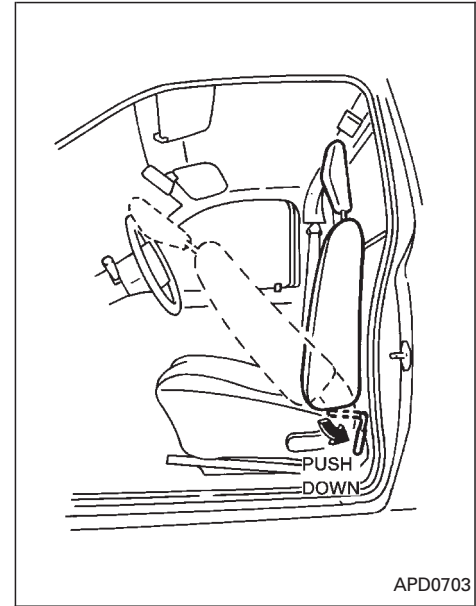
SEAT ADJUSTMENT

WARNING

- Do not adjust the bench seat while driving. The seat may move suddenly and could cause loss of control of the vehicle.
- After adjustment, gently rock in the seat to make sure it is securely locked.

Forward and Backward

Pull the lever up and hold it while you slide the seat forward or backward to the desired position. Release the lever to lock the seat in position.



TILTING BENCH SEAT

The bench seat can be tilted to make it easier to remove the jacking tools from the storage area.

To tilt the seatback, push the tilting lever

JUMP SEAT

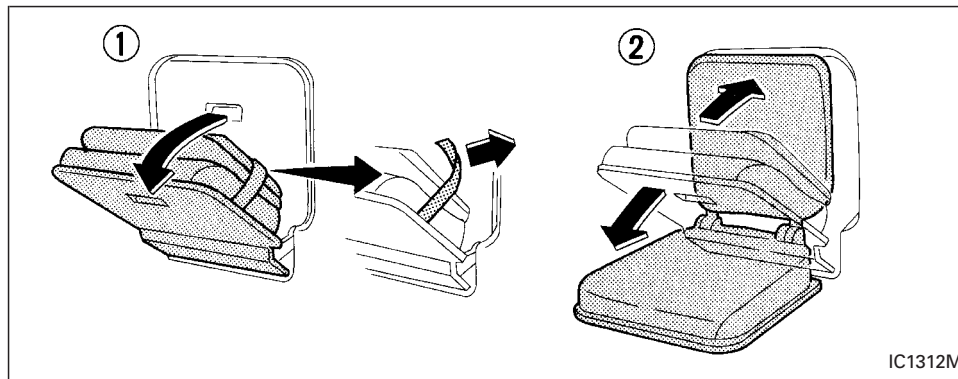
downward. The seatback automatically moves forward.

WARNING

After adjustment, gently rock in the seat to make sure it is securely locked.

NOTE:

The head restraints on the bench-type seats are not adjustable.



Detach the strap and pull down the folded jump seat.

WARNING

- Do not use a child restraint system on the jump seat.
- When folding the jump seat, be careful not to squeeze your finger between the seat cushion and the body side.

SUPPLEMENTAL RESTRAINT SYSTEM (SUPPLEMENTAL AIR BAG SYSTEM)

This Supplemental Restraint System section contains important information concerning the driver supplemental air bag. The Supplemental Restraint System Air Bag can help reduce impact force to the driver in certain frontal collisions. The supplemental air bag is designed to **supplement** the crash protection provided by the seat belt and is **not a substitute** for it. The seat belt should always be correctly worn and the driver seated a suitable distance from the steering wheel. (See “Seat belts” later in this section for instructions and precautions on seat belt usage.)

The supplemental air bag operates only when the ignition switch is in the ON or START position.

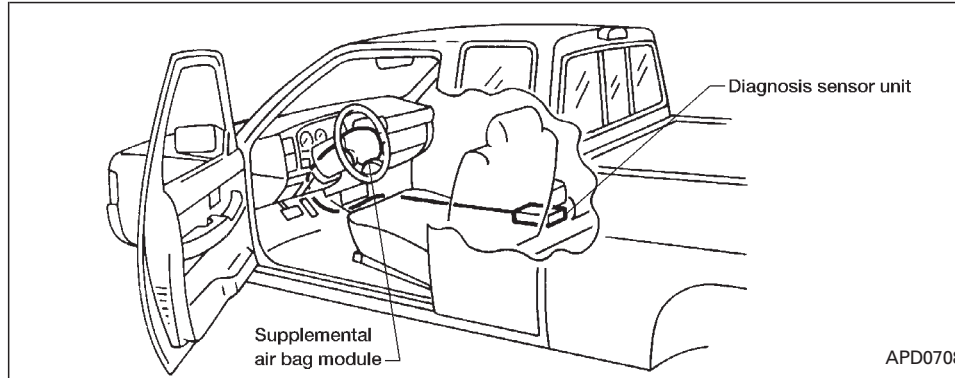
WARNING

The supplemental air bag ordinarily will not inflate in the event of a side impact, rear impact, roll over, or lower severity frontal collision; so always wear your seat belts to help reduce the risk or severity of injury in various kinds of accidents.

WARNING

The seat belts and the supplemental air bag are most effective when you are sitting back and upright in the seat. Supplemental air bags inflate with great force. If you are unrestrained, leaning forward, sitting sideways or out of position in any way, you are at greater risk of injury or death in a crash and may also receive serious or fatal injuries from the supplemental air bag if you are up against it when it inflates. Always sit back against the seatback and use the seatbelts.

SUPPLEMENTAL AIR BAG SYSTEM



The driver supplemental air bag is located in the center of the steering wheel. There is no supplemental air bag on the passenger side. The supplemental air bag system is designed to inflate in higher severity frontal collisions, although it may inflate if the forces in another type of collision are similar to those of a higher severity frontal impact. It may not inflate in certain frontal collisions. Vehicle damage (or lack of it) is not always an indication of proper supplemental air bag operation.

When the supplemental air bag inflates, a fairly loud noise may be heard, followed by the release of smoke. This smoke is not

harmful and does not indicate a fire, but care should be taken not to unintentionally inhale it, as it may cause irritation and choking. Those with a history of breathing trouble should get fresh air promptly.

The supplemental air bag, along with the use of the seat belt, helps to cushion the impact force on the face and chest of the occupant. They can help save lives and reduce serious injuries. However, an inflating supplemental air bag may cause facial abrasions or other injuries. A supplemental air bag does not provide restraint to the lower body.

The seat belt should be correctly worn and the driver seated upright as far as practical away from the steering wheel. Since the supplemental air bag inflates quickly in order to help protect the occupant, the force of the supplemental air bag inflating can increase the risk of injury if the occupant is too close to or against the supplemental air bag module during inflation.

The supplemental air bag deflates quickly after a collision.

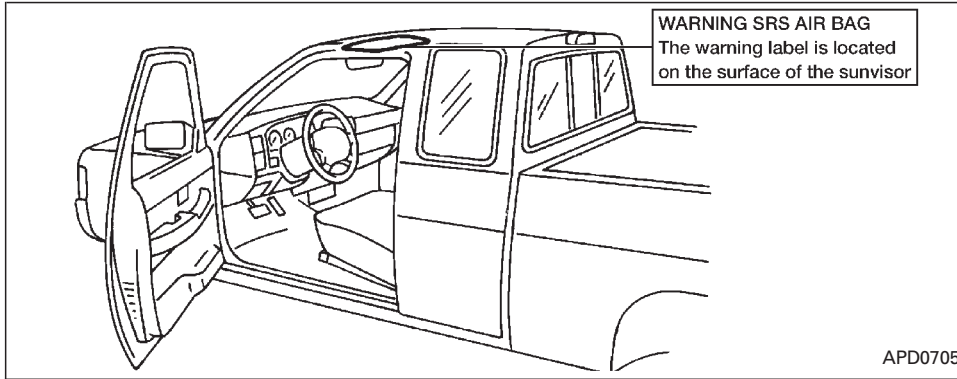
The supplemental air bag operates only when the ignition switch is in the ON or START position.

⚠ WARNING

- **Right after inflation, several supplemental air bag system components will be hot. Do not touch them; you may severely burn yourself.**
- **No unauthorized changes should be made to any components or wiring of the supplemental air bag system. This is to prevent accidental inflation of the supplemental air bag or damage to the supplemental air bag system.**

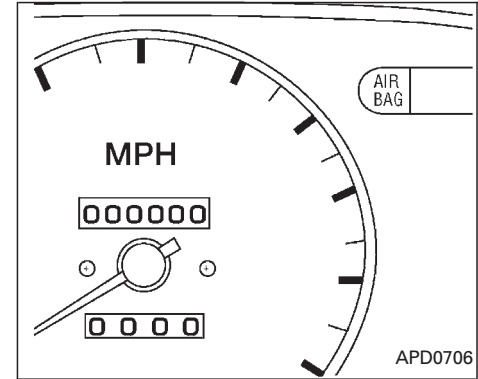
- **Tampering with the supplemental air bag system may result in serious personal injury. Tampering includes changes to the steering wheel by placing material over the steering wheel pad or by installing additional trim material around the supplemental air bag system.**
 - **Do not attach any objects to the steering wheel pad. Also, do not place any objects between any occupant and the steering wheel. Such objects may become dangerous projectiles and cause injury if the supplemental air bag inflates.**
 - **Work around and on the supplemental air bag system should be done by an authorized NISSAN dealer. Installation of electrical equipment should also be done by an authorized NISSAN dealer. The yellow SRS wiring should not be modified or disconnected. Unauthorized electrical test equipment and probing devices should not be used on the supplemental air bag system.**
- **SRS wiring harnesses are covered with yellow insulation either just before the harness connectors or over the complete harness for easy identification.**

WARNING LABELS



Warning labels about the supplemental air bag system are placed in the vehicle as shown in the illustration.

SUPPLEMENTAL AIR BAG WARNING LIGHT



The supplemental air bag light, displaying AIR BAG in the instrument panel, monitors the circuits of the supplemental air bag. The circuits monitored by the supplemental air bag light are the diagnosis sensor unit, the supplemental air bag module and all related wiring.

When the ignition key is in the ON or START position, the supplemental air bag warning light illuminates for about 7 seconds and then turns off. This means the system is operational.

If any of the following conditions occur, the supplemental air bag needs servicing and

should be taken to your nearest authorized NISSAN dealer:

1. The supplemental air bag light does not come on and remain on for 7 seconds and then go off as described above.
2. The supplemental air bag light flashes intermittently or remains on.
3. The supplemental air bag light does not come on at all.

Under these conditions, the Supplemental Restraint System Air Bag does not operate properly. It must be checked and repaired.

Repair and replacement procedure

The supplemental air bag system is designed to inflate on a one-time-only basis. As a reminder, unless it is damaged, the supplemental air bag light remains illuminated after inflation has occurred. Repair and replacement of the supplemental air bag system should be done only by an authorized NISSAN dealer.

To ensure long-term functioning, the system must be inspected 10 years after the date of manufacture noted on the certification label located on the driver side front pillar.

When maintenance work is required on the vehicle, the supplemental air bag system and related parts should be pointed out to the person conducting the maintenance. The ignition key must always be in the LOCK position when working under the hood or inside the vehicle.

WARNING

- **Once the supplemental air bag inflates, the supplemental air bag module will not function again and must be replaced. The supplemental air bag module cannot be repaired.**
- **The supplemental air bag system should be inspected by an authorized NISSAN dealer if there is any damage to the front end portion of the vehicle or if the supplemental air bag has inflated.**
- **When selling your vehicle, we request that you inform the buyer about the supplemental air bag system and guide the buyer to the appropriate sections in this Owner's Manual.**

- **If you need to dispose of the supplemental air bag or scrap the vehicle, contact an authorized NISSAN dealer. Correct supplemental air bag disposal procedures are set forth in the appropriate NISSAN Service Manual. Incorrect disposal procedures could cause personal injury.**

SEAT BELTS

PRECAUTIONS ON SEAT BELT USAGE

Your chances of being injured in an accident and/or the severity of injury may be greatly reduced if you are wearing your seat belt and it is properly adjusted. NISSAN strongly encourages you and all of your passengers to buckle up every time you drive, even if your seating position includes an supplemental air bag.

Some states, provinces or territories may specify that seat belts be worn at all times when a vehicle is being driven.

WARNING

- Every person who drives or rides in this vehicle should use a seat belt at all times. Children should be in appropriate child restraints.
- The belt should be properly adjusted to a snug fit. Failure to do so reduces the effectiveness of the entire restraint system and increases the chance or severity of injury in an accident.
- Do not wear the belt inside out or twisted. Be sure the seat belt tongue is securely fastened to the proper buckle.

- Do not allow more than one person to use the same belt.
- All seat belt assemblies including retractors and attaching hardware should be inspected after any collision at your NISSAN dealer. NISSAN recommends that all seat belt assemblies in use during a collision be replaced unless the collision was minor and the belts show no damage and continue to operate properly. Seat belt assemblies not in use during a collision should also be inspected and replaced if either damage or improper operation is noted.
- Never carry more people in the vehicle than there are seat belts.
- Never allow anyone to ride in the cargo area or in a slide-in camper or other type cargo area cover while the vehicle is in motion. These areas do not contain seat belts. It is not designed for passengers. They could be injured in sudden braking or collision.

- If the seat belt warning lamp glows continuously while the ignition is turned ON with all doors closed and all seat belts fastened, it may indicate a malfunction in the system. Have the system checked by your NISSAN dealer.
- Be sure to observe the following cautions when using seat belts. Failure to do so could increase the chance and/or severity of injury in an accident.
- Always route the shoulder belt over your outer shoulder and across your chest. Never run the belt under your arm or across your neck. The belt should be away from your face and neck, but not falling off your shoulder.
- Position the lap belt as low as possible **AROUND THE HIPS, NOT THE WAIST.**
- Serious injury or death can occur if the seat belt is not worn properly.

CHILD SAFETY

Children need adults to help protect them.

All U.S. states and provinces of Canada require the use of approved child restraints for infants and small children. (See “Child Restraints for Infants and Small Children” later in this section for more information.)

In addition, there are many types of child restraints available for larger children which should be used for maximum protection.

Infant or small child

NISSAN recommends that infants or small children be seated in child restraints that comply with Federal Motor Vehicle Safety Standards or Canadian Motor Vehicle Safety Standards. You should choose a child restraint which fits your vehicle and always follow the manufacturer’s instructions for installation and use.

Children

Children who are too large for child restraint should be seated and restrained by the seat belts which are provided.

If the child’s seating position has a shoulder belt that fits close to the face or neck, the

use of a booster seat (commercially available) may help overcome this. The booster seat should raise the child so the shoulder belt is properly positioned across the top, middle portion of the shoulder and the lap belt is low on the hips. The booster seat should fit the vehicle seat and have a label certifying that it complies with Federal Motor Vehicle Safety Standards or Canadian Motor Vehicle Safety Standards. Once the child has grown so the shoulder belt is no longer on or near the face and neck, use the shoulder belt without the booster seat.

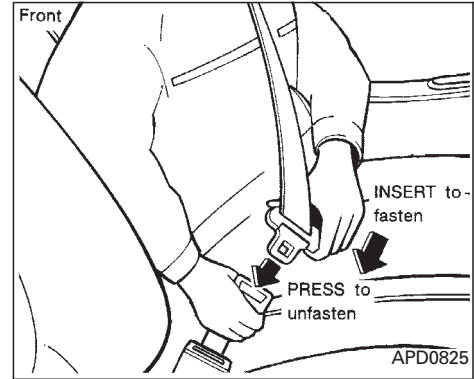
Never let a child stand or kneel on any seat and do not allow a child in the cargo areas while the vehicle is moving.

Pregnant women

NISSAN recommends that pregnant women use seat belts. Contact your doctor for specific recommendations. The lap belt should be worn snug and positioned as low as possible around the hips, not the waist.

Injured persons

NISSAN recommends that injured persons use seat belts, depending on the injury. Check with your doctor for specific recommendations.



3-POINT TYPE WITH RETRACTOR

⚠ WARNING

Every person who drives or rides in this vehicle should wear a seat belt at all times.

Fastening the belts

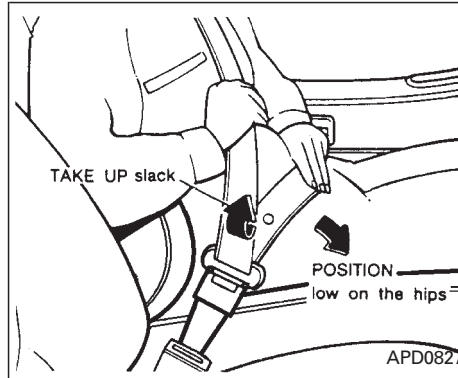
1. Adjust the seat.

⚠ WARNING

The seatback should not be reclined any more than needed for comfort. Seat

belts are most effective when the passenger sits well back and straight up in the seat. If the seat is reclined, the risk of sliding under the lap belt and being injured is increased.

2. Slowly pull the seat belt out of the retractor and insert the tongue into the buckle until it snaps.



The retractor is designed to lock during a sudden stop or on impact. A slow pulling motion permits the belt to move, and allows you some freedom of movement in the seat.

3. Position the lap belt portion **low on the hips** as shown.
4. Pull the shoulder belt portion toward the retractor to take up extra slack.

The front seat passenger side seat belt has a cinching mechanism for child seat installation. It is referred to as the automatic locking mode.

When the cinching mechanism is activated the seat belt cannot be withdrawn again until the seat belt tongue is detached from the buckle and fully retracted. Refer to “Child restraints for infants and small children” later in this section for more information.

⚠ WARNING

The automatic locking mode should be used only for child seat installation. During normal seat belt use by a passenger, the locking mode should not be activated. If it is activated it may cause uncomfortable seat belt tension.

Unfastening the belts

To unfasten the belt, press the button on the buckle. The seat belt automatically retracts.

Checking seat belt operation

Seat belt retractors are designed to lock belt movement by two separate methods:

- 1) When the belt is pulled quickly from the retractor.
- 2) When the vehicle slows down rapidly.

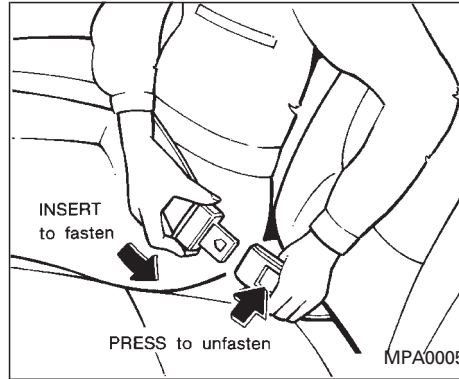
To increase your confidence in the belts, check the operation as follows:

- Grasp the shoulder belt and pull quickly forward. The retractor should lock and restrict further belt movement.

If the retractor does not lock during this check or if you have any question about belt operation, see your NISSAN dealer.

Replacing front seat belt (3-point type only)

The front seat belts are shock absorber types. Replace the belt when the loop has been pulled out and "REPLACE BELT" is visible. This indicator means the seat belt has been overstressed.

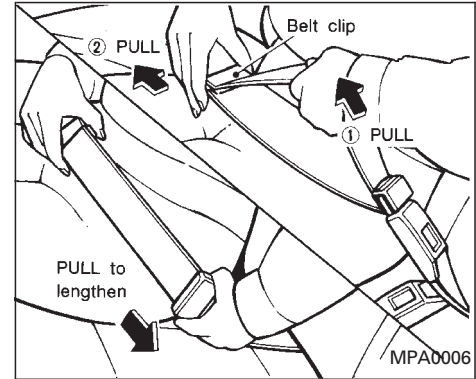


2-POINT TYPE WITHOUT RETRACTOR (Center of bench seat)

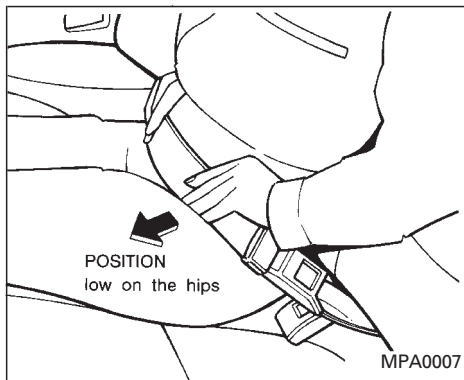
The center seat belt buckle and tongue are identified by the CENTER mark. The center seat belt tongue can be fastened only into the center seat belt buckle.

Fastening the belts

1. Insert the tongue into the buckle until it snaps.



2. To lengthen, hold the tongue at a right angle to the belt and pull on the belt. To shorten, pull the free end of the belt away from the tongue, then pull the belt clip to take up the slack.



3. Position the lap belt **low on the hips** as illustrated.

Unfastening the belts

To unfasten the belt, press the button on the buckle.

SEAT BELT EXTENDERS

If, because of body size or driving position, it is not possible to properly fit the lap-shoulder belt and fasten it, an extender is available which is compatible with the installed seat belts. The extender adds approximately 8 inches (200 mm) of length and may be used for either the driver or right passenger seating position. See your NISSAN dealer for assistance if the extender is required.

WARNING

- **Only NISSAN belt extenders, made by the same company which made the original equipment belts, should be used with NISSAN belts.**
- **Persons who can use the standard seat belt should not use an extender. Such unnecessary use could result in serious personal injury in the event of an accident.**

SEAT BELT MAINTENANCE

- **To clean the belt webbings**, apply a mild soap solution or any solution recommended for cleaning upholstery or car-

pets. Then brush, wipe with a cloth and allow it to dry in the shade. Do not allow the belts to retract until they are completely dry.

- **Periodically check to see that the belt and the metal components** such as buckles, tongues, retractors, flexible wires and anchors work properly. If loose parts, deterioration, cuts or other damage on the webbing is found, the entire belt assembly should be replaced.

CHILD RESTRAINTS FOR INFANTS AND SMALL CHILDREN

WARNING

Infants and small children should always be placed in an appropriate child restraint while riding in the vehicle. Failure to use a child restraint can result in serious injury or death.

Children and infants should never be carried on your lap. It is not possible for even the strongest adult to resist the forces of a severe accident. The child could be crushed between the adult and parts of the vehicle. Also, do not put the same seat belt around both your child and yourself.

In general, child restraints are designed to be installed with a lap belt or the lap portion of a three-point type seat belt.

An improperly installed child restraint could lead to serious injury or death in an accident.

Child restraints specially designed for infants and small children are offered by several manufacturers. When selecting any child restraint, keep the following points in mind:

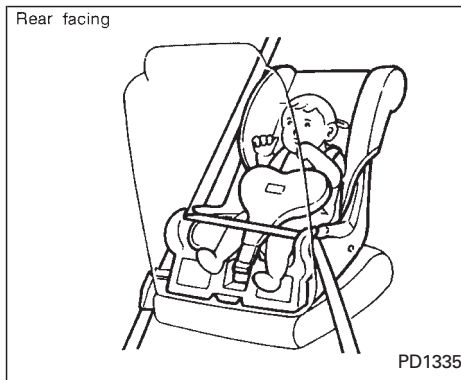
- 1) Choose only a restraint with a label certifying that it complies with Federal Motor Vehicle Safety Standard 213 or Canadian Motor Vehicle Safety Standard 213.
- 2) Check the child restraint in your vehicle to be sure it is compatible with the vehicle's seat belt system.
- 3) If the child restraint is compatible with your vehicle, place your child in the child restraint and check the various adjustments to be sure the child restraint is compatible with your child. Always follow all of the recommended procedures.

WARNING

- **Do not install a child restraint in the jump seats (King Cab model). These seats are not suitable for child restraint installation.**
- **Follow all of the child restraint manufacturer's instructions for installation and use. When purchasing a child restraint, be sure to select one which will fit your child and vehicle as it may not be possible to properly install some types of child restraints in your vehicle.**

- **Improper use of a child restraint can result in increased injuries for both the infant or child and other occupants in the vehicle.**
- **When your child restraint is not in use, keep it secured with a seat belt to prevent it from being thrown forward in case of a sudden stop or accident.**
- **Remember that a child restraint left in a closed vehicle can become very hot. Check the seating surface and buckles before placing your child in the child restraint.**
- **All U.S. states and provinces of Canada require that infants and small children be restrained in an approved child restraint at all times while the vehicle is being operated.**
- **After attaching the child restraint, test it before you place the child in it. Tilt it from side to side. Try to tug it forward and check to see if the belt holds the restraint in place. If the restraint is not secure, tighten the belt as necessary, or put the restraint in another seat and test it again.**

- If the child restraint is not anchored properly, the risk of a child being injured in a collision or a sudden stop greatly increases.
- Adjustable seatbacks should be positioned to fit the child restraint, but as upright as possible.
- For a front facing child restraint, check to make sure the shoulder belt does not go in front of the child's face or neck. If it does, put the shoulder belt behind the child restraint.



INSTALLATION ON FRONT PASSENGER SEAT (3-point type with retractor)

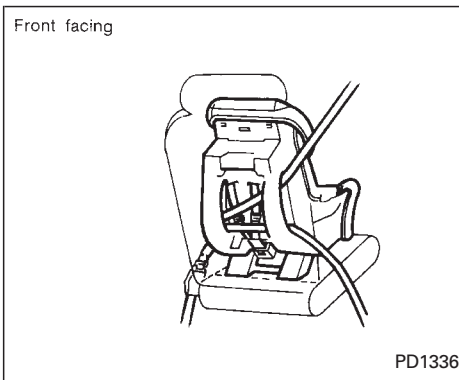
WARNING

- The 3-point belt in your vehicle is equipped with a locking mode retractor which must be used when installing a child restraint.

- Failure to use the retractor's locking mode will result in the child restraint not being properly secured. The restraint could tip over or otherwise be unsecured and cause injury to the child in a sudden stop or collision.

If you choose to install a child restraint, follow these steps:

1. Position the child restraint on the front passenger seat. It can be placed in a forward facing or rear facing direction, depending on the size of the child. Always follow the restraint manufacturer's instructions.
2. Route the seat belt tongue through the child restraint and insert the belt tongue into the buckle until you hear and feel the latch engage.

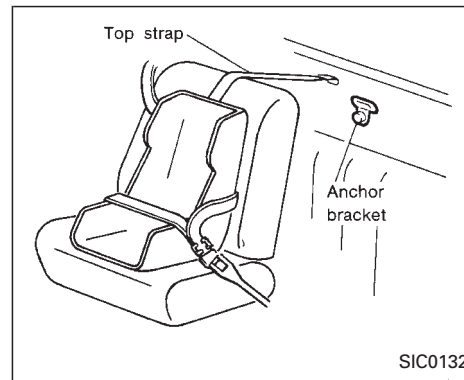


Be sure to follow the child restraint manufacturer's instructions for belt routing.

3. Pull on the shoulder belt until all of the belt is fully extended and a click is heard. At this time, the belt retractor is in the automatic locking mode (child restraint mode). It reverts back to emergency locking mode when the belt is fully retracted.
4. Allow the belt to retract. A clicking sound is heard as the belt retracts. This indicates that the retractor is in the automatic locking mode. Pull up on the belt to remove any slack in the belt.

5. Before placing the child in the child restraint, use force to tilt the child restraint from side to side, and tug it forward to make sure it is securely held in place.
6. Ensure the retractor is in the automatic locking mode by trying to pull more belt out of the retractor. If you cannot pull any more belt webbing out of the retractor, the belt is in the automatic locking mode.
7. Check to make sure the child restraint is properly secured prior to each use. If the lap belt is not locked, repeat steps 3 through 6.

After the child restraint is removed and the seat belt is allowed to wind back into the retractor, the automatic locking mode (child restraint mode) is canceled; the emergency locking retractor may be used as normal and will only lock during a sudden stop or impact.



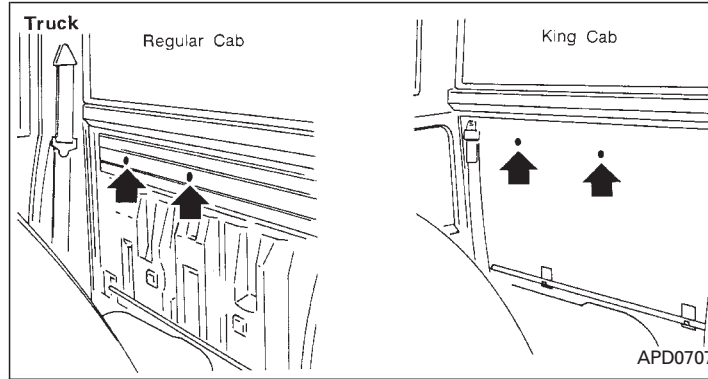
TOP STRAP CHILD RESTRAINT

If your child restraint has a top strap, install the anchor bracket to the provided anchor point. Secure the child restraint with the seat belt and latch the top strap hook onto the appropriate anchor bracket. Make sure the shoulder belt is placed between the seat back and child restraint. To install the anchor bracket, a metric bolt of the dimensions listed below must be used.

Bolt diameter: 8.0 mm
Bolt length: more than 1.18 in (30 mm)
Thread pitch: 1.25 mm

The top strap should be secured to the attaching belt which provides the straightest installation of the top strap.

Child restraint anchor points are designed to withstand only these loads imposed by correctly fitted child restraints. Under no circumstances are they to be used for adult seat belts or harnesses.

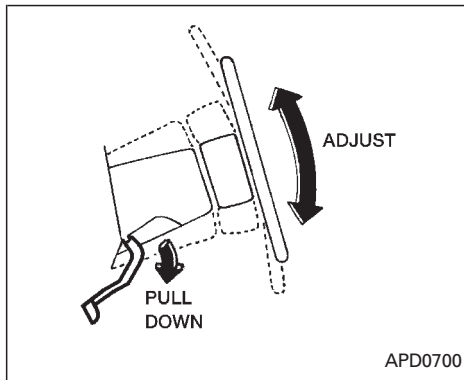


Anchor point locations

Anchor points are located under the rear window. On King Cab models, the back panel carpet is perforated to allow access to the anchor points.

Your NISSAN dealer can assist you with the installation of your child restraint.

TILTING STEERING WHEEL (If so equipped)



Tilt operation

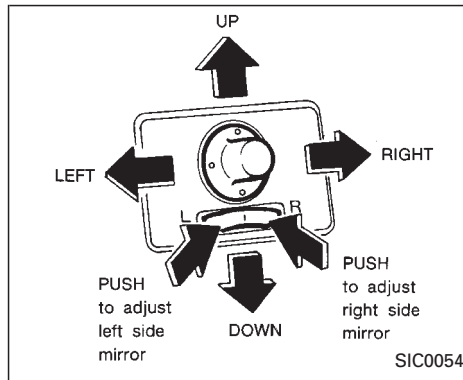
Push the lock lever down and adjust the steering wheel up or down to the desired position.

Pull the lock lever up firmly to lock the steering wheel in place.

WARNING

Do not adjust the steering wheel while driving.

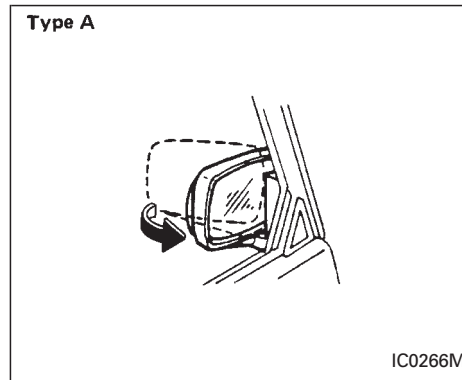
OUTSIDE MIRROR REMOTE CONTROL (If so equipped)



Push the right or left side of the switch to adjust the right or left side mirror, then control the lever.

Objects viewed in the outside mirror on the passenger side are closer than they appear.

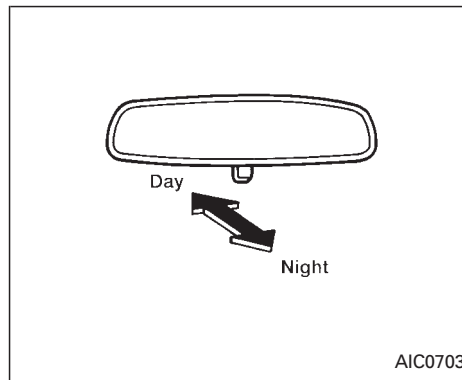
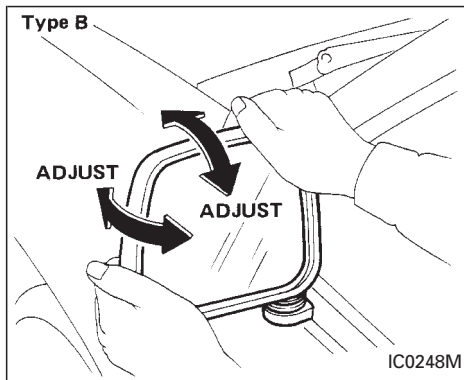
OUTSIDE MIRRORS



Folding outside mirror

Push the mirror backward to fold it.

INSIDE MIRROR

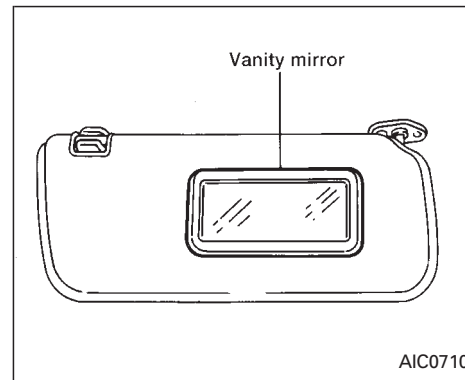


The night position reduces glare from the headlights of vehicles behind you at night.

CAUTION

Use the night position only when necessary because it reduces rear view clarity.

VANITY MIRROR (If so equipped)



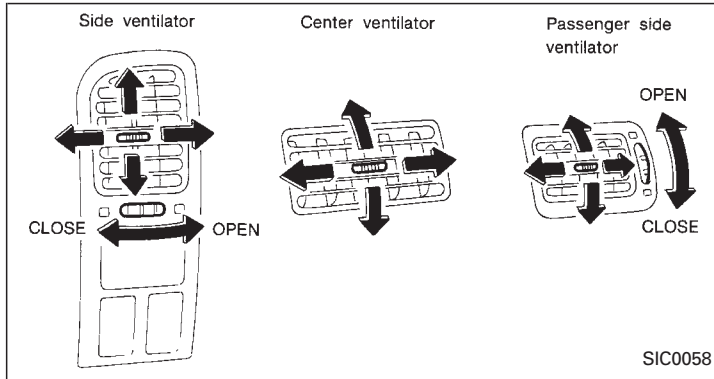
A vanity mirror is located on the rear side of the passenger sunvisor.

3 Heater, air conditioner and audio system

Ventilators	3-2
Heater and air conditioner	3-3
Air flow charts	3-6
Radio	3-10
AM-FM electronic tuning radio with cassette player	3-11
AM-FM electronic tuning radio with cassette player (100 W).....	3-16
Manual antenna	3-20
CB radio or car phone	3-21

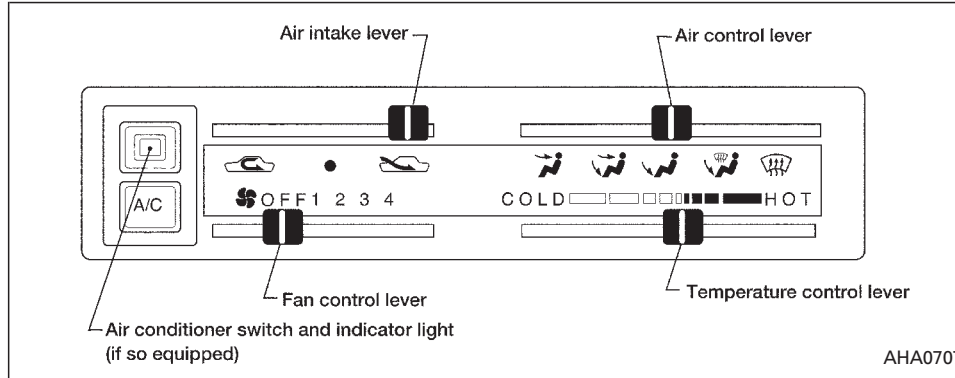


VENTILATORS



Open, close, and adjust the air flow direction of ventilators.

HEATER AND AIR CONDITIONER



CONTROLS

Fan control lever

This lever turns the fan on and off, and controls fan speed.

Air control lever

This lever allows you to select the air flow outlets.

- Air flows from center and side ventilators.
- Air flows from center and side ventilators and foot outlets.

- Air flows mainly from foot outlets.
- Air flows from defrost outlets and foot outlets.
- Air flows mainly from defrost outlets.

Temperature control lever

This lever allows you to adjust the temperature of the outlet air.

Air intake lever

position

Outside air is drawn into the passenger compartment and distributed through the selected outlet.

Use this position for normal heater or air conditioner operation.

position

Interior air is recirculated inside the vehicle.

Move the air intake lever to the position:

- when driving on a dusty road.
- to prevent traffic fumes from entering the passenger compartment.
- for maximum cooling when using the air conditioner.

WARNING

Do not use the recirculation mode for long periods of time. It may cause the interior air to become stale and the windows to fog up.

Air conditioner switch (If so equipped)



This button is provided only for vehicles with an air conditioner.

Start the engine and push the switch to turn on the air conditioner. The indicator light comes on when the air conditioner is on.

HEATER OPERATION



Heating

This mode directs hot air to the foot outlets. A small amount of air is also directed to the defrost outlets.

1. Move the air intake lever to the  position for normal heating.
2. Move the air control lever to the  position.
3. Move the fan control lever to the desired speed.
4. Move the temperature control lever to the desired position between the middle and the HOT position.



Ventilation

This mode directs outside air to the side and center ventilators.

1. Move the air intake lever to the  position.
2. Move the air control lever to the  position.
3. Move the fan control lever to the desired speed.
4. Move the temperature control lever to the desired position.

Defrosting or defogging



This mode defrosts/defogs the windows.

1. Move the air intake lever to the  position.
 2. Move the air control lever to the  position.
 3. Move the fan control lever to the desired speed.
 4. Move the temperature control lever to the desired position between the middle and the HOT position.
- If it is difficult to defog the windshield,

turn the air conditioner switch on (if so equipped).



Bi-level heating

This mode directs cooler air from the side and center ventilators and warmer air from the foot outlets.

1. Move the air intake lever to the  position.
2. Move the air control lever to the  position.
3. Move the fan control lever to the desired speed.
4. Move the temperature control lever to the desired position.

Heating and defrosting

This mode heats the interior and defogs the windshield.

1. Move the air intake lever to the  position.
2. Move the air control lever to the  position.
3. Move the fan control lever to the desired speed.

4. Move the temperature control lever to the desired position between the middle and the HOT position.

Operating tips

Clear snow and ice from the wiper blade and air inlet in front of the windshield. This improves heater and defroster operation.



AIR CONDITIONER OPERATION (If so equipped)



Start the engine, move the fan control lever to the desired (1 to 4) position, and push in the air conditioner switch to activate the air conditioner. When the air conditioner is on, cooling and dehumidifying functions are added to the heater operation.

The air conditioner cooling function operates only when the engine is running.

Cooling



This mode cools and dehumidifies.

1. Move the air intake lever to the  position.
2. Move the air control lever to the  position.

3. Move the fan control lever to the desired position.
 4. Push in the air conditioner switch. The indicator light comes on.
 5. Move the temperature control lever to the desired position.
- For quick cooling when the outside temperature is high, move the air intake lever to the  position. Be sure to return the air intake lever to the  position for normal cooling.



Dehumidified heating

This mode heats and dehumidifies.

1. Move the air intake lever to the  position.
2. Move the air control lever to the  position.
3. Move the fan control lever to the desired position.
4. Push in the air conditioner switch. The indicator light comes on.
5. Move the temperature control lever to the desired position.

Dehumidified defrosting

This mode defrosts/defogs the windows and dehumidifies.

1. Move the air intake lever to the  position.
2. Move the air control lever to the  position.
3. Move the fan control lever to the desired position.
4. Push in the air conditioner switch. The indicator light comes on.
5. Move the temperature control lever to the desired position.

Operating tips


- Keep windows and sunroof closed while operating the air conditioner.
- After parking in the sun, drive for two or three minutes with the windows open to vent hot air from the passenger compartment. Then, close the windows. This allows the air conditioner to cool the interior more quickly.
- The air conditioning system should be operated for about ten minutes at least

once a month, especially in winter. This helps prevent damage to the system due to lack of lubrication.

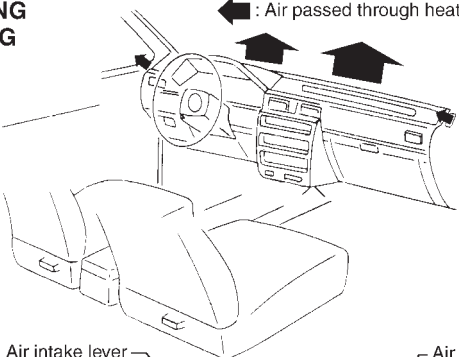
- If the coolant temperature gauge exceeds the (hot) position, turn the air conditioner off. Have your vehicle inspected by a NISSAN dealer. See “If your vehicle overheats” in the “In case of emergency” section for additional information.

AIR FLOW CHARTS

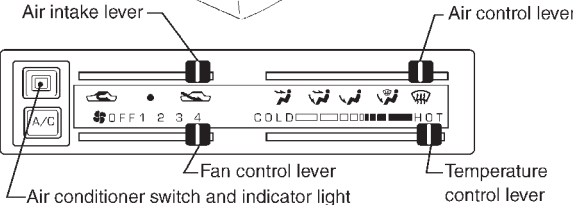
The following charts show the switch and lever positions for **MAXIMUM** and **QUICK** heating, cooling or defrosting.

The air intake lever should always be in the  position for heating and defrosting.

**DEFROSTING
DEFOGGING**



← : Air passed through heater core



Air intake lever

Air control lever

Air conditioner switch and indicator light

Fan control lever

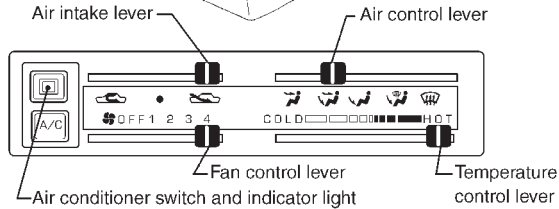
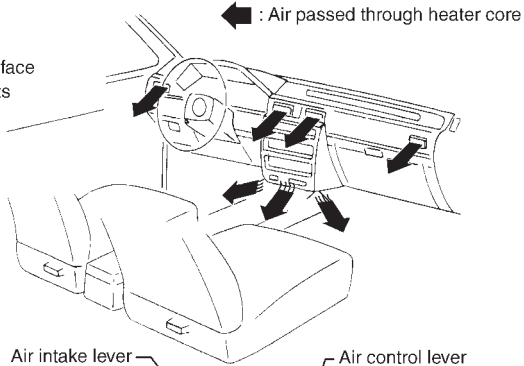
Temperature control lever

A/C switch (if so equipped)	Air intake	Air control	Temp control	Fan control
ON	FRESH	DEF	HOT (RIGHT)	4

AHA0700

BI-LEVEL HEATING

Heated air at face and floor vents

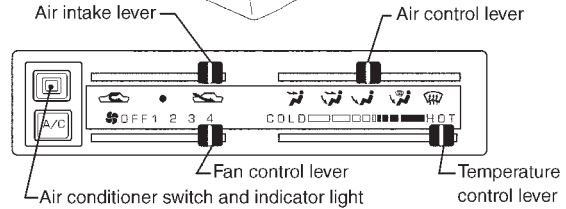
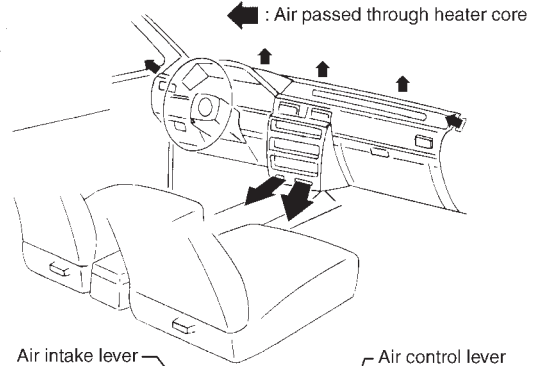


A/C switch (if so equipped)	Air intake	Air control	Temp control	Fan control
OFF	FRESH	FOOT & FACE	HOT (RIGHT)	4

AHA0701

HEATING

No air at face and floor vents

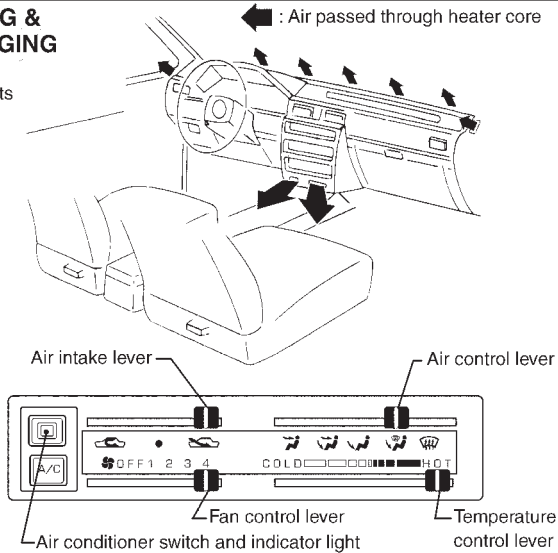


A/C switch (if so equipped)	Air intake	Air control	Temp control	Fan control
OFF	FRESH	FOOT	HOT (RIGHT)	4

AHA0702

HEATING & DEFOGGING

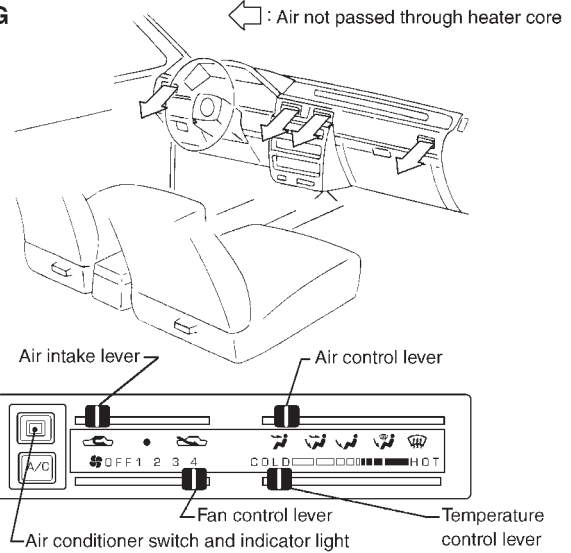
No air at center vents



A/C switch (if so equipped)	Air intake	Air control	Temp control	Fan control
OFF	FRESH	DEF & FOOT	HOT (RIGHT)	4

AHA0703

COOLING



A/C switch (if so equipped)	Air intake	Air control	Temp control	Fan control
ON	RECIRC	FACE	COLD (LEFT)	4

AHA0708

Servicing air conditioner

The air conditioning system in your NISSAN is charged with a refrigerant designed with the environment in mind.

This refrigerant does not harm the earth's ozone layer.

Special charging equipment and lubricant is required when servicing your NISSAN air conditioner. Using improper refrigerants or lubricants causes severe damage to your air conditioning system. See "Air Conditioning system refrigerant and lubricant recommendations" in the "Technical and consumer information" section of this manual.

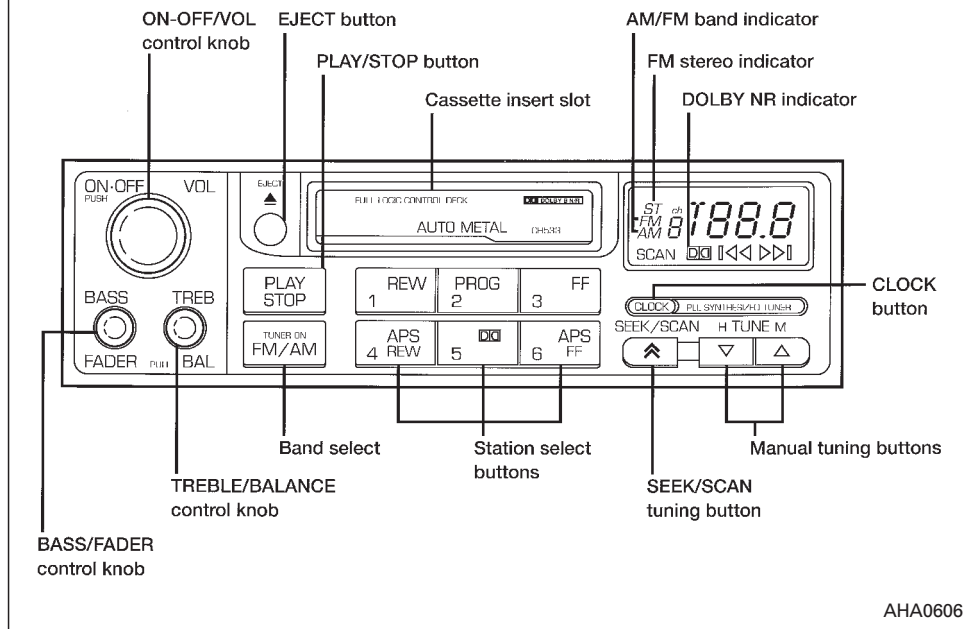
Your NISSAN dealer is able to service your environmentally "friendly" air conditioning system.

RADIO

To turn the radio on, turn the ignition key to ACC or ON. If you listen to the radio with the engine not running, turn the key to the ACC position.

Radio reception is affected by station signal strength, distance from radio transmitter, buildings, bridges, mountains and other external influences. Intermittent changes in reception quality normally are caused by these external influences.

AM/FM electronic tuning radio with cassette player



AM-FM ELECTRONIC TUNING RADIO WITH CASSETTE PLAYER

RADIO OPERATION

Push the ON-OFF/VOL knob to turn the radio on. Push the ON-OFF/VOL button once more to turn the radio off.

Turn the ON-OFF/VOL knob to adjust the volume.

Inserting a cassette tape into the cassette player while the radio is on turns the radio off and turns the cassette player on.

Pushing the ON-OFF/VOL knob while the cassette tape is playing turns the cassette player off.

Clock Operation

By pressing the CLOCK button, you can alternate the clock and the radio/cassette tape options in the display.

Clock Set

Depressing the CLOCK and the ∇ buttons together sets hours. Depressing the CLOCK and \triangle buttons together sets minutes.

Clock Priority Mode

In this mode the clock is shown in the display. If any radio or cassette tape functions are activated, the radio (or cassette tape) display illuminates for ten seconds then returns to the clock mode.

NOTE:

After clock adjustment, the radio is in the clock priority mode.

Radio/cassette tape priority mode

In this mode, the radio station illuminates in the display during radio operation. During cassette tape operation, TAPE illuminates in the display.

Selecting the desired band

Push the band select button (FM/AM) to change from AM to FM reception.

The stereo indicator illuminates during FM stereo reception. When the stereo broad-

cast signal is weak, the radio automatically changes from stereo to monaural reception.

Tuning

WARNING

The radio should not be tuned while driving in order that full attention may be given to the driving operation.

Manual tuning

Push down either manual tuning button ∇ or \triangle .

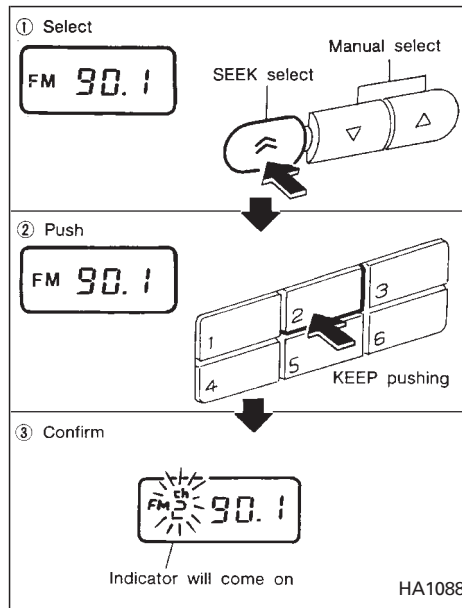
SEEK tuning

Push the SEEK/SCAN tuning button $\hat{=}$ for less than 1.5 seconds. SEEK tuning begins from low to high frequencies and stops at the next broadcasting station. Push the button again for less than 1.5 seconds, and the next highest broadcasting station is tuned. Once the highest broadcasting station is reached, the radio continues in the SEEK mode at the lowest broadcast station.

SCAN tuning

Push the SEEK/SCAN tuning button $\hat{=}$ for more than 1.5 seconds. SCAN

illuminates in the display window. SCAN tuning begins from low to high frequencies and stops at each broadcasting station for five seconds. Pushing the button again during this five second period stops SCAN tuning and the radio remains tuned to that station.



Station memory operations

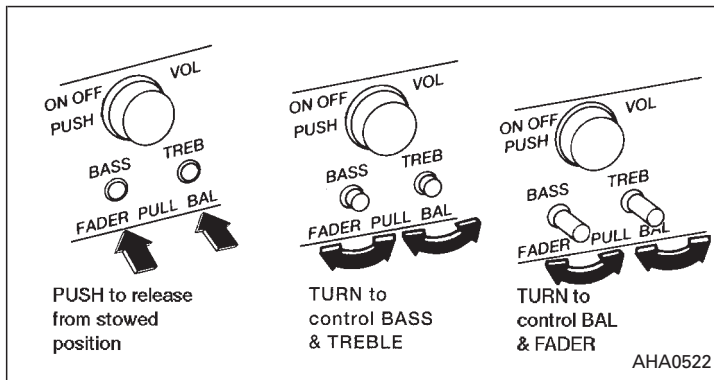
Six stations can be set for each band.

1. Tune to the desired station.
2. Push the desired select button for more

than 2 seconds. For example, in the diagram ch2 is to be memorized. The radio mutes when the select button is pushed.

3. The indicator, ch2, then comes on in the display and the sound resumes. Memorizing is now complete.
4. Other buttons can be set in the same manner.

If the battery cable is disconnected, or if the fuse blows, the radio memory is cancelled. In that case, reset the desired stations.



Adjusting tone quality and sound balance

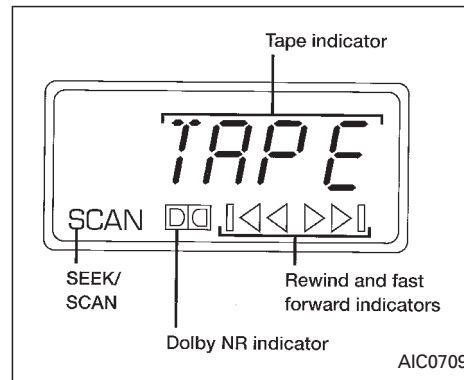
To adjust BASS, TREB (treble), FADER, and BAL (balance) the control knobs must be released from their stowed positions. Pushing the knobs once moves them to the released position.

In the released position, the knobs control tone quality. Turn the control knobs to adjust BASS and TREB to the most pleasing level.

From the released position, the knobs must be pulled out in order to control FADER and

BAL. FADER adjusts the sound level between the front and rear speakers, and BAL adjusts the sound level between the right and left speakers.

Once sound quality is set to the desired levels, return the control knobs to the stowed position by pushing them in completely and releasing.



CASSETTE TAPE OPERATION

Turn the ignition key to ACC or ON, then lightly insert the cassette tape into the tape door.

The cassette tape automatically pulls into the player. The word TAPE and an arrow indicating tape side illuminates in the display window.

Do not force the cassette tape into the tape door.

Pressing strongly could cause player damage.

The cassette tape automatically changes direction to play the other side when the first side is complete. At this time, the arrow in the display window changes direction.

Fast forwarding or rewinding the tape

Push either the FF (fast forward) or REW (rewind) button for the desired direction.

The ►► or ◀◀ symbol illuminates in the display. To stop the FF or REW function, press the PLAY/STOP button.

Automatic Program Search (APS) fast forwarding or APS rewinding the tape

Push either the APS FF or APS REW button while the tape is playing. The tape runs quickly, stops, then plays the next selection. The ►►► or ◀◀◀ symbol illuminates in the display.

This system searches for the blank intervals between selections. If there is a blank interval within one program or there is no interval between programs, the system may not stop in the desired or expected location.

Changing the direction of tape play


Push the PROG (program) select button. The ► or ◀ symbol illuminates in the display window to indicate which program side is playing.

PLAY/STOP button



Push the PLAY/STOP button to stop cassette tape play and turn the audio system off. Press the PLAY/STOP button again to resume cassette tape play.

Also use the PLAY/STOP button to resume play when the tape is in the fast forward or rewind mode.

Dolby NR (noise reduction)

Push the  DOLBY NR button for Dolby NR encoded tapes to reduce high frequency tape noise. The indicator light comes on.

Dolby NR is manufactured under license from Dolby Laboratories Licensing Corporation. DOLBY NR and the double-D symbol are trademarks of Dolby Laboratories Licensing Corporation.

If in the clock priority mode when the  button is pressed,  and TAPE il-

luminate in the display window for about ten seconds. The clock mode then returns to the display window.

Metal or chrome tape usage

The cassette player is automatically set to high performance play when playing a metal or chrome cassette tape. The indicator METAL comes on when playing a metal or chrome cassette tape.

Ejecting the cassette tape

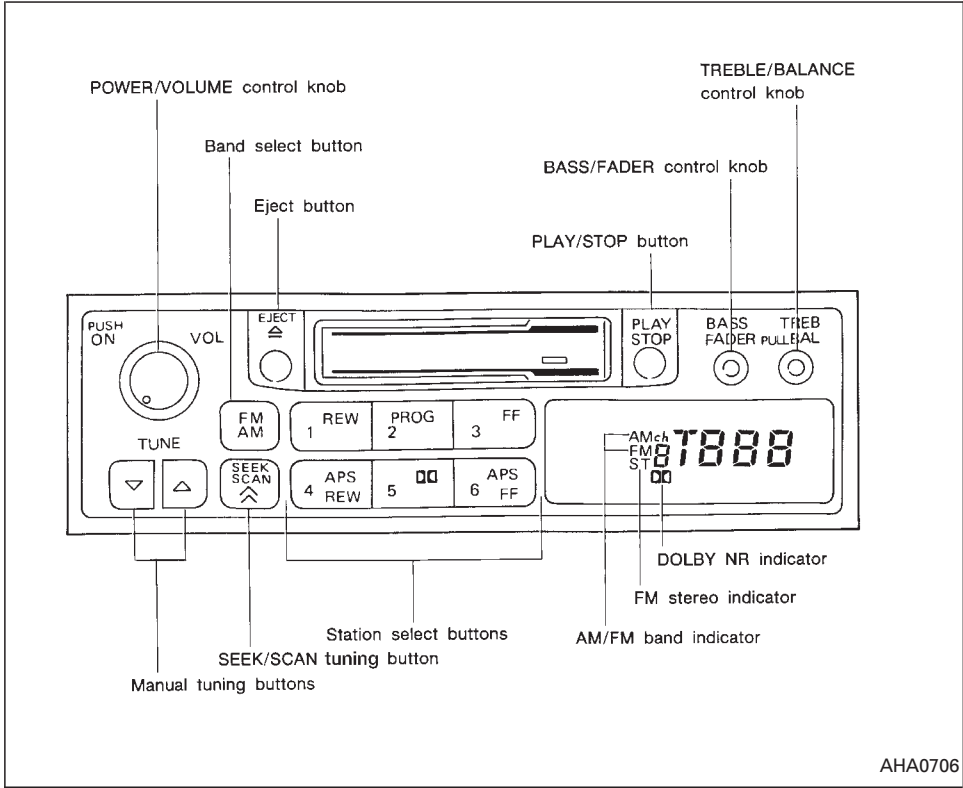
Push the EJECT button.

The cassette tape automatically comes out.

Precautions on cassette player operation

- **To maintain good quality sound, NISSAN recommends using cassette tapes of 60 minutes or shorter in length.**
- **Cassette tapes should be removed from the player when not in use. Store cassettes in their protective cases, away from direct sunlight, heat, moisture and magnetic sources.**

- **Direct sunlight can cause the cassette to become deformed. The use of a deformed cassette may cause the cassette to jam in the player.**
- **Do not use a cassette that has a label which is peeling and loose. If used, the label could jam in the player.**
- **If a cassette has loose tape, insert a pencil through one of the cassette hubs and rewind the tape firmly around the hubs. Loose tape may cause tape jamming and wavering sound quality.**
- **Over a period of time, the playback head, capstan and pinch roller may gather a tape coating residue as the tape passes over the head. This residue accumulation can cause a weak or wavering sound and should be removed periodically with a head cleaning tape. If the residue is not removed periodically, the player may need to be disassembled for cleaning.**



AM-FM ELECTRONIC TUNING RADIO WITH CASSETTE PLAYER (100 W)

RADIO OPERATION

Push the ON/VOL knob to turn the radio on. Push the ON/VOL button once more to turn the radio off.

Turn the ON/VOL knob to adjust the volume.

Pushing the ON/VOL knob while the cassette tape is playing will turn the cassette player off and turn the radio on.

The electronic tuning radio has an FM DIVERSITY reception system. The FM DIVERSITY system employs two antennas; one is a rod type antenna and the other is an antenna printed on the front window. This system automatically switches to the antenna which receives less noise. Thus the radio provides high quality reception.

Selecting the desired band

Push the band select button (FM/AM) to change from AM to FM reception.



The FM stereo indicator illuminates during FM stereo reception. When the stereo broadcast signal is weak, the radio automatically changes from stereo to monaural reception.

Tuning


WARNING

The radio should not be tuned while driving in order that full attention may be given to the driving operation.


Manual tuning

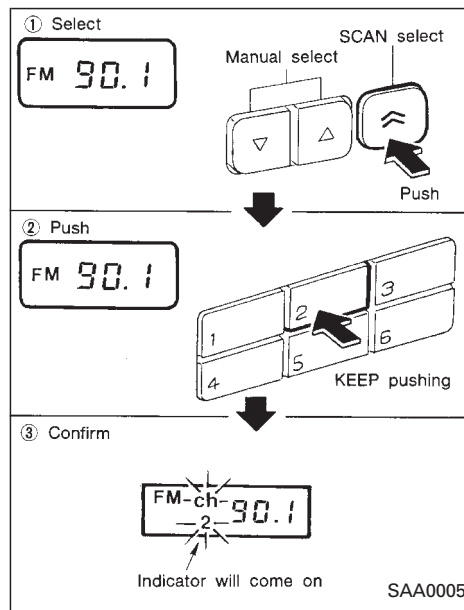
Push either manual tuning button  or .

SEEK tuning

Push the SEEK/SCAN tuning button  for less than 1.5 seconds. SEEK tuning begins from low to high frequencies and stops at the next broadcasting station. Push the button again for less than 1.5 seconds, and the next highest broadcasting station is tuned. Once the highest broadcasting station is reached, the radio continues in the SEEK mode at the lowest broadcast station.

SCAN tuning

Push the SEEK/SCAN tuning button  for more than 1.5 seconds. SCAN illuminates in the display window. SCAN tuning begins from low to high frequencies and stops at each broadcasting station for five seconds. Pushing the button again during this five second period stops SCAN tuning and the radio remains tuned to that station.



Station memory operations

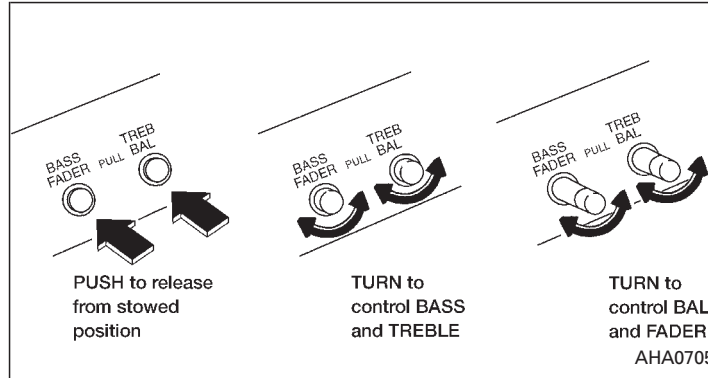
Six stations can be set for each band.

1. Tune to the desired station.
2. Push the desired select button for more

than 2 seconds. For example, in the diagram ch2 is to be memorized. The radio mutes when the select button is pushed.

3. The indicator, ch2, then comes on and the sound resumes. Memorizing is now complete.
4. Other buttons can be set in the same manner.

If the battery cable is disconnected, or if the fuse blows, the radio memory is cancelled. In that case, reset the desired stations.



Adjusting tone quality and sound balance

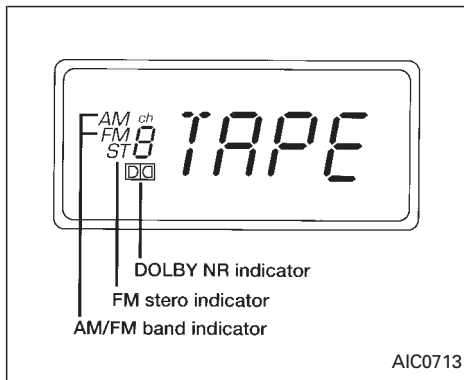
To adjust BASS, TREB (treble), FADER, and BAL (balance) the control knobs must be released from their stowed positions. Pushing the knobs once moves them to the released position.

In the released position, the knobs control tone quality. Turn the control knobs to adjust BASS and TREB to the most pleasing level.

From the released position, the knobs must be pulled out in order to control FADER and

BAL. FADER adjusts the sound level between the front and rear speakers, and BAL adjusts the sound level between the right and left speakers.

Once sound quality is set to the desired levels, return the control knobs to the stowed position by pushing them in completely and releasing.



CASSETTE TAPE OPERATION

Turn the ignition key to ACC or ON, then lightly insert the cassette tape into the tape door.

The cassette tape automatically pulls into the player. The word TAPE and an arrow indicating tape side illuminates in the display window.

The radio turns off and the cassette tape begins to play.

Do not force the cassette tape into the tape door.

Pressing strongly could cause player damage.

The cassette tape automatically changes direction to play the other side when the first side is complete. At this time, the arrow in the display window changes direction.

PLAY/STOP button

Push the PLAY/STOP button to resume tape play when:

- the tape has stopped playing.
- the tape is in the fast forward mode.
- the tape is in the rewind mode.

Pressing the PLAY/STOP button during tape play stops the tape and turns the audio system off.

Fast forwarding or rewinding the tape

Push either the FF (fast forward) or REW (rewind) button for the desired direction.

Automatic Program Search (APS) fast forwarding or APS rewinding the tape


Push either the APS FF or APS REW button while the cassette tape is playing. The tape runs quickly, stops, then plays the next selection.

This system searches for the blank intervals between selections. If there is a blank interval within one program or there is no interval between programs, the system may not stop in the desired or expected location.

Changing the direction of tape play

Push the PROG (program) select button.

Dolby NR (noise reduction)

Push the  DOLBY NR button for DOLBY NR encoded tapes to reduce high frequency tape noise. The indicator light comes on.

Dolby NR is manufactured under license from Dolby Laboratories Licensing Corporation. Dolby NR and the double-D symbol are trademarks of Dolby Laboratories Licensing Corporation.

Metal or chrome tape usage

The cassette player is automatically set to high performance play when playing a metal or chrome cassette tape.

The indicator will come on when playing a metal or chrome cassette tape.

Ejecting the cassette tape

Push the EJECT button. The tape automatically comes out.

Precautions on cassette player operation

- **To maintain good quality sound, NISSAN recommends using cassette tapes of 60 minutes or shorter in length.**
- **Cassette tapes should be removed from the player when not in use. Store cassettes in their protective cases, away from direct sunlight, heat, moisture and magnetic sources.**
- **Direct sunlight can cause the cassette to become deformed. The use of a deformed cassette may cause the cassette to jam in the player.**

- **Do not use a cassette that has a label which is peeling and loose. If used, the label could jam in the player.**
- **If a cassette has loose tape, insert a pencil through one of the cassette hubs and rewind the tape firmly around the hubs. Loose tape may cause tape jamming and wavering sound quality.**
- **Over a period of time, the playback head, capstan and pinch roller may gather a tape coating residue as the tape passes over the head. This residue accumulation can cause a weak or wavering sound and should be removed periodically with a head cleaning tape. If the residue is not removed periodically, the player may need to be disassembled for cleaning.**

The antenna cannot be shortened but can be removed. Turn its base counterclockwise to remove the antenna.



CAUTION

Be sure to remove the antenna before washing the vehicle in an automatic car wash, or the antenna may be damaged.

CB RADIO OR CAR PHONE

When installing a CB, ham radio or car phone in your NISSAN, be sure to observe the following cautions, otherwise the new equipment may adversely affect the MFI (Multiport Fuel Injection) system and other electronic parts.



CAUTION

- **Keep the antenna as far away as possible from the Engine Control Module (ECM).**
- **Also keep the antenna wire more than 8 inches (20 cm) away from the fuel injection wiring harness. Do not route the antenna wire next to any harness.**
- **Adjust the antenna standing-wave ratio as recommended by the manufacturer.**
- **Connect the ground wire from the radio chassis to the body.**
- **For details, consult a NISSAN dealer.**

4 Starting and driving

Precautions when starting and driving	4-2
On-pavement and off-road driving precautions .	4-3
Drinking alcohol/drugs and driving	4-4
Ignition switch	4-4
Before starting the engine	4-5
Driving with automatic transmission	4-6
Driving with manual transmission	4-9
Starting the engine	4-10
Parking brake operation	4-11
Cruise control	4-11
Break-in schedule	4-13
Increasing fuel economy	4-13
4x4 Transfer case shifting procedures for	
4-wheel drive vehicles	4-14
4x4 Auto-lock free-running hubs	4-15
4x4 Manual-lock free-running hubs	4-19
4x4 Driving your 4-wheel drive safely	4-22
4x4 Tires of 4-wheel drive	4-23
Parking/parking on hills	4-24
Precautions when driving	4-25
Rear anti-lock brake system	4-26
Cold weather driving cautions	4-27



PRECAUTIONS WHEN STARTING AND DRIVING

WARNING

Do not leave children, unreliable adults, or pets alone in your vehicle. They could accidentally injure themselves or others through inadvertent operation of the vehicle. Also, on hot, sunny days, temperatures in a closed vehicle could quickly become high enough to cause severe or possibly fatal injuries to people or animals.

EXHAUST GAS (Carbon Monoxide)

WARNING

Do not breathe exhaust gases; they contain colorless and odorless carbon monoxide. Carbon monoxide is a dangerous gas, and can cause unconsciousness or death.

- If you suspect that exhaust fumes are entering the vehicle, drive with all windows fully open, and have the vehicle inspected immediately.
- Do not run the engine in closed spaces such as a garage for any longer than is absolutely necessary.

- Do not park the vehicle with the engine running for any extended length of time.
- If a special body, camper, or other equipment is added for recreational or other usage, follow the manufacturer's recommendation to prevent carbon monoxide entry into the vehicle. Do not occupy these areas while the engine is running even if the vehicle is parked. (Some recreational vehicle appliances such as stoves, refrigerator heaters, etc. may also generate carbon monoxide.)
- The exhaust system and body should be inspected by a qualified mechanic whenever:
 - a. The vehicle is raised for service.
 - b. You suspect that exhaust fumes are entering into the passenger compartment.
 - c. You notice a change in the sound of the exhaust system.

- d. You have had an accident involving damage to the exhaust system, underbody, or rear of the vehicle.

THREE-WAY CATALYST

The three-way catalyst is an emission control device installed in the exhaust system. Exhaust gases in the converter are burned at high temperatures to help reduce pollutants.

WARNING

- The exhaust gas and the exhaust system are very hot. While the engine is running, keep people or flammable materials away from the exhaust pipe.
- Do not stop or park the vehicle over flammable materials such as dry grass, waste paper or rags, as they may burn easily.

To help prevent damage

- Do not use leaded gasoline. Deposits from leaded gasoline will seriously

reduce the three-way catalyst's ability to help reduce exhaust pollutants.

- **Keep your engine tuned up. Malfunctions in the ignition, fuel injection, or electrical systems can cause overrich fuel flow into the converter, causing it to overheat. Do not keep driving if the engine misfires, or if noticeable loss of performance or other unusual operating conditions are detected. Have the vehicle inspected promptly by an authorized NISSAN dealer.**
- **Avoid driving with an extremely low fuel level. Running out of fuel could cause the engine to misfire, damaging the three-way catalyst.**
- **Do not race the engine while warming it up.**
- **Do not push or tow your vehicle to start the engine.**

ON-PAVEMENT AND OFF-ROAD DRIVING PRECAUTIONS

Utility vehicles have higher ground clearance than passenger cars in order to make them capable of performing in a wide variety of off-road applications. Specific design

characteristics give them a higher center of gravity than ordinary cars. Higher ground clearance provides a better view of the road, allowing you to anticipate problems. Utility vehicles are not designed for cornering at the same speeds as conventional 2-wheel drive vehicles any more than low-slung sports cars are designed to perform satisfactorily under off-road conditions. If at all possible, avoid sharp turns or abrupt maneuvers. As with other vehicles of this type, failure to operate this vehicle correctly may result in loss of control or vehicle rollover.

Avoiding Collision and Rollover

Failure to operate this vehicle in a safe and prudent manner may result in loss of control or an accident. Be alert and drive defensively at all times. Obey all traffic regulations. Avoid excessive speed, high speed cornering, or sudden steering maneuvers, because these driving practices could cause you to lose control of your vehicle. **As with any vehicle, a loss of control could result in a collision with other vehicles or objects, or cause the vehicle to roll over, particularly if the loss of control causes the vehicle to slide sideways.** Be attentive

at all times, and avoid driving when tired. Never drive when under the influence of alcohol or drugs (including prescription or over-the-counter drugs which may cause drowsiness). Always wear your seat belt as outlined in the "Seat Belts" section of this manual, and instruct your passengers to do the same.

DRINKING ALCOHOL/DRUGS AND DRIVING

WARNING

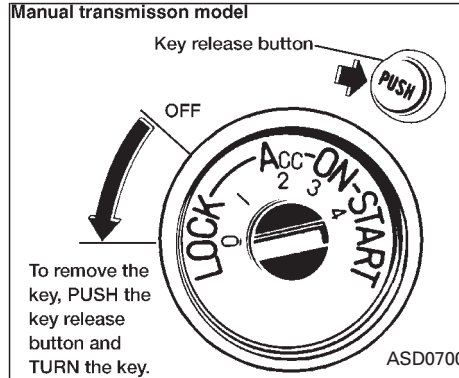
Alcohol in the blood stream reduces coordination, delays reaction time and impairs judgement. Driving after drinking alcohol increases the likelihood of being involved in an accident injuring yourself and others. Additionally, if you are injured in the accident alcohol can increase the severity of injury.

NISSAN is committed to safe driving. However, you must choose not to drive under the influence of alcohol. Every year thousands of people are injured or killed in alcohol related accidents. Although the local laws vary on what is considered to be legally intoxicated, the fact is that alcohol affects all people differently and most people underestimate the effects of alcohol.

Remember, drinking and driving don't mix!

And that's true for drugs, too (over the counter, prescription, and illegal drugs). Don't drive if your ability to operate your vehicle is impaired by alcohol, drugs, or some other physical condition.

IGNITION SWITCH

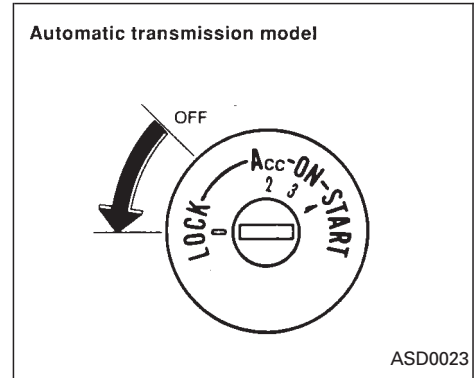


MANUAL TRANSMISSION

The switch includes an anti-theft steering lock device.

The key can only be removed when the switch is in the LOCK position.

On manual transmission models, to turn the ignition key to LOCK from ACC or ON, turn the key to OFF and press in the key release button, then turn the key to LOCK.



AUTOMATIC TRANSMISSION

On automatic transmission models, the ignition lock is designed so the key cannot be turned to LOCK and removed until the shift lever is moved to the P position.

When removing the key from the ignition, make sure the shift lever is in the P position.

When the key cannot be turned to the LOCK position, proceed as follows to remove the key:

- 1) Move the shift lever into the P position.

- 2) Turn the ignition key slightly in the ON direction.
- 3) Turn the key toward the LOCK position.
- 4) Remove the key.

The shift lever is designed so it cannot be moved out of P and into any of the other gear positions if the ignition key is turned to OFF or if the key is removed from the switch. **The shift lever can be moved if the ignition switch is in the ACC position. The shift lever can also be moved if the ignition switch is in the ON position and the foot brake pedal is depressed.**

 **WARNING**

- **To lock the steering wheel, remove the key. To unlock the steering wheel, insert the key and turn it gently while rotating the steering wheel slightly right and left.**
- **Never remove the key while driving. If the key is removed, the steering wheel will lock. This may cause the driver to lose control of the vehicle and could result in serious vehicle damage or personal injury.**

Key positions

LOCK Normal parking position (0)

OFF (Manual transmission model) (1)

The engine can be turned off without locking the steering wheel. When removing the key from the key cylinder, push the key release button at this position and turn the key to LOCK.

ACC (Accessories) (2)

This position activates electrical accessories such as the radio when the engine is not running.

ON (Normal operating position) (3)

This position turns on the ignition system and electrical accessories.

START (4)

This position starts the engine. As soon as the engine has started, release the key. It automatically returns to the ON position.

BEFORE STARTING THE ENGINE

- Make sure the area around the vehicle is clear.
- Check fluid levels such as engine oil, coolant, brake and clutch fluid, and window washer fluid as frequently as possible, at least whenever you refuel.
- Check that all windows and lights are clean.
- Visually inspect tires for their appearance and condition. Also check tires for proper inflation.
- Lock all doors.
- Position seat and adjust head restraints.
- Adjust inside and outside mirrors.
- Fasten seat belts and ask all passengers to do likewise.
- Check the operation of warning lights when key is turned to the ON (3) position.

DRIVING WITH AUTOMATIC TRANSMISSION

The automatic transmission in your vehicle (if so equipped) is electronically controlled by a microcomputer to produce maximum power and smooth operation.

Shown on the following pages are the recommended operating procedures for your automatic transmission. Follow these procedures for maximum vehicle performance and driving enjoyment.

Starting the vehicle

- After starting the engine, fully depress the foot brake pedal and push the shift lever button before shifting the selector lever to the D, R, 2 or 1 position. Be sure the vehicle is fully stopped before attempting to shift the selector lever.

This automatic transmission is designed so the foot brake pedal MUST be depressed before shifting from P to any drive position while the ignition switch is ON.

Normally, the shift lever cannot be moved out of P and into any of the other gear positions if the ignition key is turned to OFF or if the key is removed from the switch.

When the battery charge is low, the shift lever can be moved if the ignition switch is in the ACC position.

1. Keep the foot brake pedal depressed and push the shift lever button to shift into a driving gear.
2. Release the parking brake and foot brake, then gradually start the vehicle in motion.

WARNING

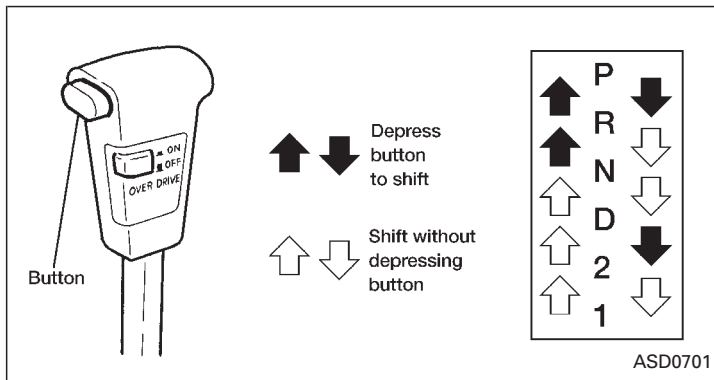
- **Cold engine idle speed is high, so use caution when shifting into a forward or reverse gear before the engine has warmed up.**
- **Avoid revving up the engine while the vehicle is stopped. This could cause unexpected vehicle movement.**

Driving precautions

To help prevent transmission damage:

- Do not depress the accelerator pedal while shifting from P or N to R, D, 2 or 1. Always depress the brake pedal until shifting is completed.

- **Never shift to P or R while vehicle is moving.**
- **When stopping the vehicle on an uphill grade, do not hold the vehicle by depressing the accelerator pedal. The foot brake should be used for this purpose.**



Shifting with automatic transmission

Push the button to shift into P, R or from D to 2. All other positions can be selected without pushing the button.

P (Park):

Use this selector position when the vehicle is parked or when starting the engine. Always be sure the vehicle is at a complete stop. For maximum safety, depress the brake pedal, then push in the selector lever button and move the lever to the P position. Apply the parking brake. When parking on a hill, apply the parking brake first, then shift

the lever into the P position.

Shifting from P (Park)

If the ignition switch is in the ON position and the foot brake pedal is depressed, but the shift lever still cannot be moved out of P (Park) use the following procedure:

1. Shut the engine off and remove the key.
2. Apply the parking brake.
3. Reinsert the key and turn it clockwise to the ACC position.
4. Depress the brake pedal, move the shift lever to N (Neutral) and start the engine.

These instructions for starting the vehicle in N (Neutral) should only be used until service can be obtained.

R (Reverse):

Use this position to back up. Shift into this position only after the vehicle has completely stopped.

N (Neutral):

Neither forward nor reverse gear is engaged. The engine can be started in this position. You may shift to N and restart a stalled engine while the vehicle is moving.

D (Drive):

Use this position for all normal forward driving.

2 (Second gear):

Use for hill climbing, effective engine braking on downhill grades or starting on slippery roads.

Do not downshift into the 2 position at speeds over 62 MPH (100 km/h), and do not exceed 62 MPH (100 km/h) in the 2 position.

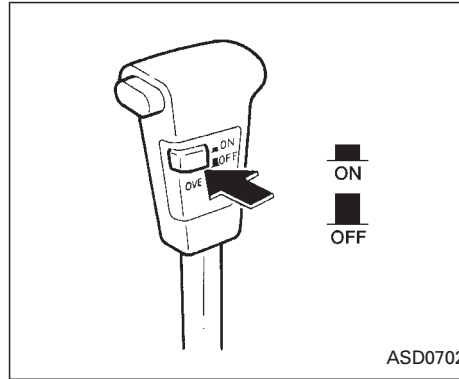
1 (Low gear):

Use this position when climbing steep hills slowly or driving slowly through deep snow, sand or mud, or for maximum engine braking on steep downhill grades.


Do not down shift into the 1 position at speeds over 62 MPH (100 km/h), and do not exceed 30 MPH (50 km/h) in the 1 position.

Accelerator downshift — In D position —


For rapid passing or hill climbing, fully depress the accelerator pedal to the floor. This shifts the transmission down into second gear or first gear, depending on the vehicle speed.





Overdrive switch

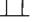
ON: For normal driving, push the overdrive switch ON  with the selector lever in the D position. The transmission is upshifted into OVERDRIVE as the vehicle speed increases.

The overdrive does not engage until the engine has warmed up.

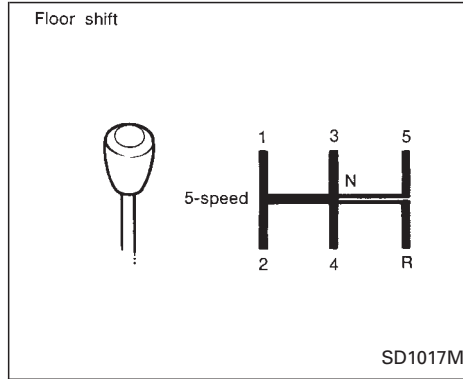
OFF: For driving up and down long slopes where engine braking would be advantageous, push the switch OFF . When cruising at a low speed or climbing a gentle slope, you may feel

uncomfortable shift shocks as the transmission shifts between 3rd and overdrive repeatedly. In this case, set the overdrive switch in the OFF  position. The indicator light in the instrument panel comes on at this time.

When driving conditions change, reset the overdrive switch in the ON  position.

Remember not to drive at high speeds for extended periods of time with the overdrive switch set in the OFF  position. This reduces fuel economy.

DRIVING WITH MANUAL TRANSMISSION



Shifting with manual transmission

To change gears, fully depress the clutch pedal, then move the gearshift lever. After shifting, release the clutch slowly.

You cannot shift directly from 5th gear into Reverse (R). First shift into the Neutral (N) position, then into Reverse (R).

If it is difficult to move the shift lever into Reverse or 1st, shift into Neutral, then release the clutch pedal. Depress the pedal and shift into Reverse or 1st again.

Driving precautions

- Do not rest your foot on the clutch pedal while driving. This may cause clutch damage.
- Stop your vehicle completely before shifting into Reverse.

Suggested shift-up speeds

The following table provides suggested speed ranges for shifting into a higher gear. These suggestions relate to fuel economy and vehicle performance. Actual shift ranges should be adjusted for specific road conditions, weather conditions and individual driving habits.

- 2-wheel drive models and 4-wheel drive models (2H and 4H position):

Shift from	MPH (km/h)
1st to 2nd	15 (25)
2nd to 3rd	25 (40)
3rd to 4th	40 (65)
4th to 5th	45 (75)

- 4-wheel drive model (4L position):

Shift from	MPH (km/h)
1st to 2nd	8 (13)
2nd to 3rd	12 (20)
3rd to 4th	20 (32)
4th to 5th	22 (36)

Suggested maximum speed in each gear

Downshift to a lower gear if the engine is not running smoothly, or if you need to accelerate.

Do not exceed the maximum suggested speed (shown below) in any gear. For level road driving, use the highest gear suggested for that speed. Always observe posted speed limits, and drive according to the road conditions, which will ensure safe operation. Do not overrev the engine when shifting to a lower gear as it may cause engine damage or loss of vehicle control.

Allowable maximum speed in each gear:

2-wheel drive models	MPH (km/h)
1st	30 (50)
2nd	55 (90)
3rd	80 (130)
4th & 5th	– (–)

4-wheel drive models	MPH (km/h)
2H/4H position	
1st	25 (40)
2nd	43 (70)
3rd	68 (110)
4th & 5th	– (–)
4L position	
1st	12 (20)

STARTING THE ENGINE

2nd
3rd
4th & 5th

22 (35)
30 (48)
– (–)

1. Apply the parking brake.

2. **Automatic transmission:**

Move the selector lever to P (Park) or N (Neutral) (P preferred).

The shift lever cannot be moved out of P and into any of the other gear positions if the ignition key is turned to OFF or if the key is removed from the switch.

The starter is designed not to operate if the selector lever is in one of the driving positions.

Manual transmission:

Move the gearshift lever to N (Neutral), and depress the clutch pedal to the floor while starting the engine.

The starter is designed not to operate unless the clutch pedal is depressed.

3. Crank the engine **with your foot off the accelerator pedal** by turning the ignition key to START. Release the key when the engine starts. If the engine starts, but fails to run, repeat the above procedure.

— **If the engine is very hard to start in extremely cold or hot weather, de-**

press the accelerator pedal fully and hold it to help start the engine.

— **In the summer, when restarting the engine within 30 minutes after it has been stopped, keep the accelerator pedal fully depressed while starting.**

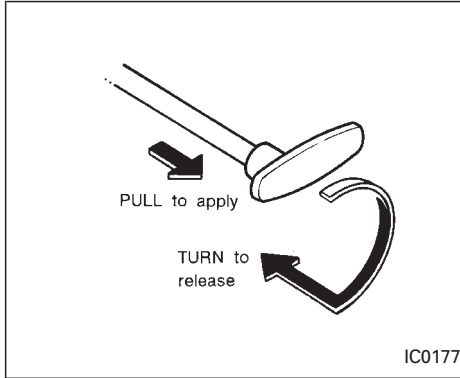
CAUTION

Do not operate the starter for more than 15 seconds at a time. If the engine does not start, turn the key off and wait 10 seconds before cranking again, otherwise the starter could be damaged.

4. **Warm-up**

Always allow the engine to idle for at least 30 seconds after starting. Drive at moderate speed for a short distance first, especially in cold weather.

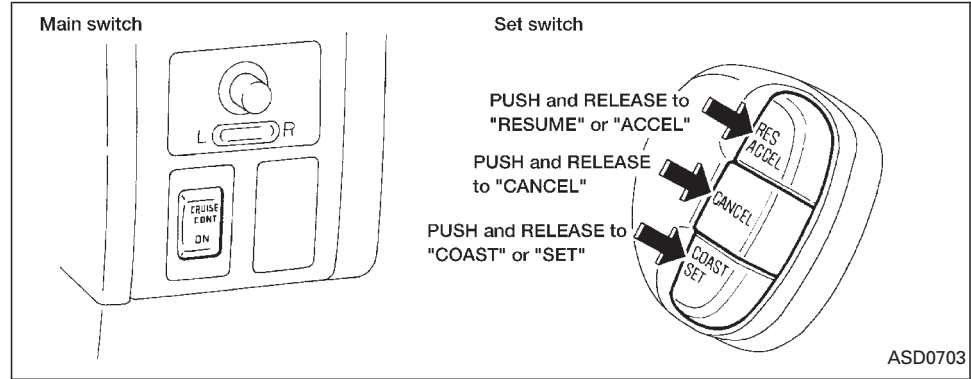
PARKING BRAKE OPERATION



To apply: pull the lever out.

To release: pull out slightly and turn the lever, then push it in completely. Before driving, be sure the parking brake warning light goes out.

CRUISE CONTROL



The cruise control allows driving at a fixed speed between 30 and 90 MPH (50 and 140 km/h) without keeping your foot on the accelerator pedal.

To turn on the cruise control, push the main switch on. The CRUISE CONT indicator light comes on.

To set at cruising speed, accelerate your vehicle to the desired speed, push the COAST/SET switch and release it. The CRUISE light in the instrument panel comes on. Take your foot off the accelerator pedal. Your vehicle maintains the set speed.

To pass another vehicle, depress the accelerator pedal. When you release the pedal, the vehicle returns to the previously set speed.

- The vehicle may not maintain the set speed when going up or down steep hills. If this happens, drive without the cruise control.

To cancel the preset speed, use one of the following three methods:

- a) Push the CANCEL button; the CRUISE light goes out.

- b) Tap the brake pedal; the CRUISE light goes out.
- c) Turn the main switch off. Both the CRUISE CONT and CRUISE lights go out.

The cruise control is automatically cancelled and the CRUISE light goes out if:

- You depress the brake pedal while pushing the ACCEL set switch.
- The vehicle slows down more than 8 MPH (13 km/h) below the set speed.
- You depress the clutch pedal (manual transmission), or move the shift lever to the N position (automatic transmission).

To reset at a faster cruising speed, use one of the following three methods:

- a) Depress the accelerator pedal. When the vehicle attains the desired speed, push and release the COAST/SET switch.
- b) Push and hold the ACCEL set switch. When the vehicle attains the speed you desire, release the switch.
- c) Push, then quickly release the ACCEL set switch. Each time you do this, the set speed increases by about 1 MPH (1.6 km/h).

To reset at a slower cruising speed, use one of the following three methods:

- a) Lightly tap the brake pedal. When the vehicle attains the desired speed, push the COAST/SET switch and release it.
- b) Push and hold the COAST/SET switch. Release the switch when the vehicle slows down to the desired speed.
- c) Push, then quickly release the COAST/SET switch. Each time you do this, the set speed decreases by about 1 MPH (1.6 km/h).

To resume the preset speed, push and release the RESUME switch. The vehicle returns to the last set cruising speed when the vehicle speed is over 30 MPH (48 km/h).

Precautions

- The cruise indicator light may blink when the cruise control main switch is turned ON while pushing the RESUME/ACCEL, COAST/SET, or CANCEL switch. To properly set the cruise control system, perform the preceding steps in the order indicated.
- If the cruise control system malfunctions, it cancels automatically. The CRUISE

indicator in the instrument cluster then blinks to warn the driver.

- If the cruise indicator blinks, turn the cruise control main switch off and have the system checked by your NISSAN dealer.

Avoid using the cruise control when driving under the following conditions:

- it is not possible to keep the vehicle at a set speed.
- in heavy traffic or in traffic that varies in speed.
- on winding or hilly roads.
- on slippery roads (rain, snow, ice, etc.).
- in very windy areas.



CAUTION

On manual transmission models, do not shift into neutral without depressing the clutch pedal when the cruise control is on. Should this occur, depress the clutch pedal and turn the main switch off immediately. Failure to do so may cause engine damage.

BREAK-IN SCHEDULE

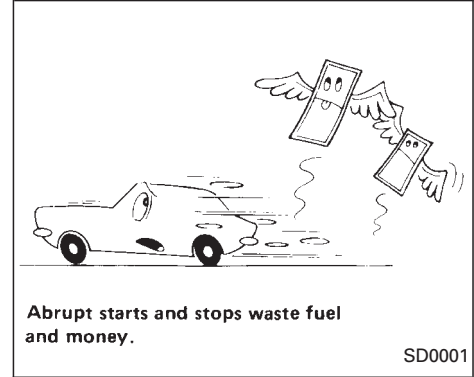
During the first 1,000 miles (1,600 km), follow these recommendations for the future reliability and economy of your new vehicle. Failure to follow these recommendations may result in vehicle damage or shortened engine life.

- Do not run the engine over 4,000 rpm.
- Do not drive over the following speed limits:
 - 2-wheel drive models:
55 MPH (90 km/h)
 - 4-wheel drive models
(2H or 4H position):
55 MPH (90 km/h)
 - 4-wheel drive models
(4L position):
30 MPH (50 km/h)
- Do not accelerate at full throttle in any gear.
- Avoid quick starts.
- Avoid hard braking as much as possible.
- Do not tow a trailer for the first 500 miles (800 km).



For the first 300 miles (500 km), it is recommended that you drive in the 2-wheel drive (2H) position with the free-running hubs set in LOCK if your vehicle is equipped with manual-lock free-running hubs.

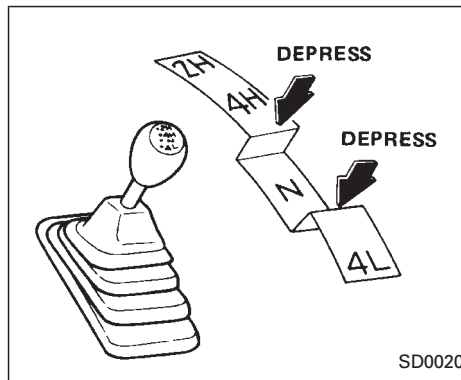
INCREASING FUEL ECONOMY



- Accelerate slowly and smoothly. Maintain cruising speeds with a constant accelerator position.
- Drive at moderate speeds on the highway. Driving at high speeds lowers fuel economy.
- Avoid unnecessary stopping and braking. Maintain a safe distance behind other vehicles.
- Use a proper gear range which suits road conditions. On level roads, shift into high gear as soon as possible.
- Avoid unnecessary engine idling.

4x4 TRANSFER CASE SHIFTING PROCEDURES FOR 4-WHEEL DRIVE VEHICLES

- Keep your engine tuned up.
- Follow the recommended periodic maintenance schedule.
- Keep the tires inflated at the correct pressure. Low pressure increases tire wear and wastes fuel.
- Keep the front wheels in correct alignment. Improper alignment increases tire wear and lowers fuel economy.
- Air conditioner operation lowers fuel economy. Use the air conditioner only when necessary.
- When cruising at highway speeds, it is more economical to use the air conditioner and leave the windows closed to reduce drag.
- **4x4**
Use 4H or 4L position only when necessary. 4-wheel drive operation lowers fuel economy.



2H — (2WD, high range) Only the rear wheels are driven. Use when driving under the same conditions as standard 2WD vehicle.

4H — (4WD, high range) Four wheels are driven. Use when driving on roads where it is difficult to drive in the 2H position (i.e., driving at normal speeds on snow covered, icy, wet, muddy or sandy roads).

4L — (4WD, low range) Four wheels are driven. Use when climbing or descending steep hills, or during hard driving in sand, mud or deep snow. The 4L position provides maximum power and traction. Avoid

raising vehicle speed excessively, as the maximum speed in 5th gear is approximately 30 MPH (50 km/h).

N — No wheels are driven. Always keep the transfer lever out of the N position. Shift the lever quickly and smoothly when moving across the N position with the vehicle stopped.

CAUTION

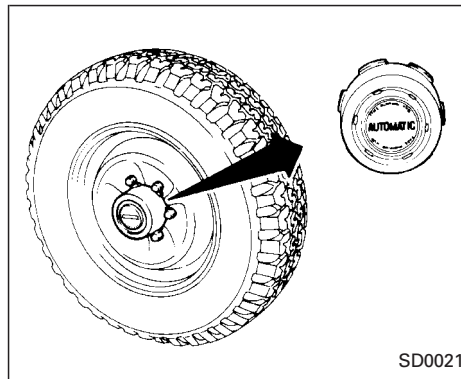
- Do not drive on dry hard surface roads in 4-wheel drive.
- Driving on dry hard surfaces in 4H or 4L may cause unnecessary noise and tire wear. We recommend driving in the 2H position under these conditions.

WARNING

- When parking the vehicle, apply the parking brake and shift the transfer control lever in the 2H, 4H or 4L position.
- Do not leave in the N position. Otherwise, the vehicle could roll unexpectedly even if the manual transmission is in gear.

4x4 AUTO-LOCK FREE-RUNNING HUBS

Your NISSAN is equipped with one of two 4WD systems, auto-lock free-running hubs or manual-lock free-running hubs.



The auto-lock free-running hub is designed to allow for automatic 4-wheel drive engagement when the shift lever is moved to the 4H or 4L position. If your vehicle is equipped with this system, follow these operational cautions:

⚠ CAUTION

- The auto-locking hubs will make a clicking noise when engaging and disengaging. This is normal.

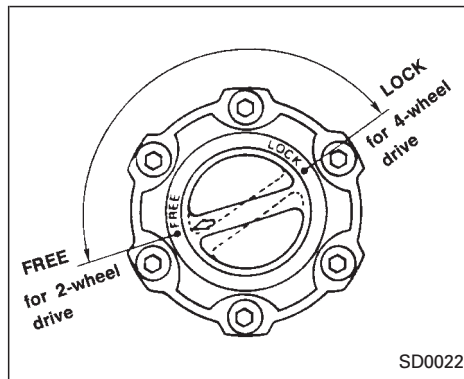
- Sudden acceleration from a stop after shifting from 2-wheel drive to 4-wheel drive may not allow engagement of the auto-locking free-running hubs and may cause a clattering noise. Continued use of the vehicle with this noise may damage the hub lock. In such a case, release the accelerator pedal to reduce the engine speed or stop the vehicle.
- If the auto-locking hubs make a clattering noise after shifting from 4-wheel drive to 2-wheel drive, stop and move the vehicle about 7 to 10 feet (2 to 3 m) in reverse.
- Under extremely cold conditions [below 5°F (-15°C)], the front axle shafts may rotate even with the transfer lever in the 2H position. If this occurs, the auto-locking hubs may make a clattering noise. To avoid this, drive first in 4-wheel drive to warm up the vehicle and differential gear oil. Then, shift to 2-wheel drive.

- **In cold weather, it may be necessary to reduce speed or stop the vehicle in order to shift from 2-wheel drive to 4-wheel drive.**
- **When shifting into or out of 4-wheel drive while driving, do not stop shift lever movement midway. An incomplete shift may cause a clattering noise from the auto-locking hubs. Continued use of the vehicle with this noise may damage the hub lock. Drive in 4-wheel drive to stop the noise. Shift to 2-wheel drive as described.**

TO SHIFT TRANSFER CASE:	SHIFT PROCEDURE FOR AUTO-LOCK FREE-RUNNING HUBS
From 2H to 4H	Move the transfer lever to 4H at speeds below 25 MPH (40 km/h). It is not necessary to depress the clutch pedal. Perform this operation when driving straight.
From 4H to 2H	<p>Move the transfer lever to 2H. This can be done at any speed, and it is not necessary to depress the clutch pedal. Perform this operation when driving straight.</p> <p>NOTE: For 2-wheel drive operation, set the free-running hubs in the disengaged position. AUTO-LOCK hubs will not disengage until the vehicle is moved about 3 feet (1 m) in the opposite direction of travel:</p> <ul style="list-style-type: none"> ● When driving forward, stop and move 3 feet (1 m) in reverse. ● When backing up, stop and move 3 feet (1 m) forward, then move the vehicle about 3 feet (1 m) in reverse. <p>This will allow for better fuel economy, quieter ride and less component wear.</p>
From 4H or 4L to 4L or 4H	<ol style="list-style-type: none"> 1. Stop the vehicle. 2. Depress the clutch pedal. 3. Depress the transfer lever and move it to the desired 4L or 4H position.

TO SHIFT TRANSFER CASE:	SHIFT PROCEDURE FOR AUTO-LOCK FREE-RUNNING HUBS
From 2H to 4L	<ol style="list-style-type: none"> 1. Stop the vehicle. 2. Depress the clutch pedal. 3. Depress the transfer lever and move it to 4L. Change gears quickly and smoothly.
From 4L to 2H	<ol style="list-style-type: none"> 1. Stop the vehicle. 2. Depress the clutch pedal. 3. Depress the transfer lever and move it to 2H. <p>NOTE: Follow the NOTE shown in shifting from 4H to 2H.</p>

MANUAL-LOCK FREE-RUNNING HUBS



The manual-lock free-running hubs are designed to allow you to engage or disengage the front drive shaft to the front wheels. Before driving, set the free-running hub to the desired position:

- 2-wheel operation — Turn the knob to the FREE position.
- 4-wheel operation — Turn the knob to the LOCK position.

Be certain to align the ◊ mark on the knob with the ● mark on the wheel hub.

CAUTION

- Never drive in 4-wheel drive (4H or 4L) with the free-running hubs in the FREE position.
- Do not drive your vehicle with the left and right free-running hub set to different positions.
- For the first 300 miles (500 km) it is recommended that you drive in the 2H position, with the free-running hubs set in the LOCK position.
- To ensure proper lubrication of front drive components, drive in the LOCK position for at least 10 miles (16 km) each month.

TO SHIFT TRANSFER CASE:	SHIFT PROCEDURE FOR MANUAL-LOCK FREE-RUNNING HUBS
From 2H to 4H	<ol style="list-style-type: none"> 1. Stop the vehicle. 2. Set free-running hubs in the LOCK position. 3. Move the transfer lever to 4H. It is not necessary to depress the clutch pedal.
From 4H to 2H	<p>Move the transfer lever to 2H. This can be done at any speed, and it is not necessary to depress the clutch pedal. Perform this operation when driving straight.</p> <p>NOTE: For 2-wheel drive operation, set the free-running hubs in the FREE position. This will allow for better fuel economy, quieter ride and less component wear.</p>
From 4H or 4L to 4L or 4H	<ol style="list-style-type: none"> 1. Stop the vehicle. 2. Depress the clutch pedal. 3. Depress the transfer lever and move it to the desired 4L or 4H position.

TO SHIFT TRANSFER CASE:	SHIFT PROCEDURE FOR MANUAL-LOCK FREE-RUNNING HUBS
From 2H to 4L	<ol style="list-style-type: none"> 1. Stop the vehicle. 2. Set free-running hubs in the LOCK position. 3. Depress the clutch pedal. 4. Depress the transfer lever and move it to 4L. Change gears quickly and smoothly.
From 4L to 2H	<ol style="list-style-type: none"> 1. Stop the vehicle. 2. Depress the clutch pedal. 3. Depress the transfer lever and move it to 2H. <p>NOTE: Follow the NOTE shown in shifting from 4H to 2H.</p>

DRIVING YOUR 4-WHEEL DRIVE SAFELY

Your NISSAN is designed for both normal and off-road use. It has a higher ground clearance and a narrower track to make it suitable for off-road use. These characteristics give the vehicle a higher center of gravity than ordinary passenger cars. An advantage of the higher ground clearance is a better view of your surroundings, allowing you to anticipate problems. However, avoid driving in deep water or mud as your NISSAN is mainly designed for leisure use, unlike a conventional off-road vehicle. Please observe the following precautions:

CAUTION

- Drive carefully when off the road and avoid dangerous areas. Always wear your seat belts to help keep you and your passengers in position when driving over rough terrain.
- Do not drive across steep slopes. Instead drive either straight up or straight down the slopes. Off-road vehicles can tip over sideways much more easily than they can forward or backward.

- Many hills are too steep for any vehicle. If you drive up them, you may stall. If you drive down them, you may not be able to control your speed. If you drive across them, you may roll over.
- Stay alert when driving to the top of a hill. At the top there could be a drop-off or other hazard that could cause an accident.
- If your engine stalls or you cannot make it to the top of a steep hill, never attempt to turn around. Your vehicle could tip or roll over. Always back straight down in reverse gear. Never back down in neutral (N) or with the clutch depressed, using only the brake, as this could cause loss of control.
- Heavy braking going down a hill could cause your brakes to overheat and fade, resulting in loss of control and an accident. Apply brakes lightly and use a low gear to control your speed.
- If at all possible, avoid sharp turning maneuvers, particularly at high speeds. Your NISSAN 4-wheel drive vehicle has a higher center of gravity

- than a 2-wheel drive vehicle and can tip over more easily. The vehicle is not designed for cornering at the same speeds as conventional 2-wheel drive vehicles any more than low-slung sports cars are designed to perform satisfactorily under off-road conditions. Failure to operate this vehicle correctly could result in loss of control and/or a rollover accident.
- Unsecured cargo can be thrown around when driving over rough terrain. Properly secure it so that it will not be thrown forward and cause injury to you or your passengers.
- Avoid raising the center of gravity by loading things on the roof or equipping the vehicle with tires larger than specified in this manual. This could cause your vehicle to roll over. Put heavy loads in the cargo area as far forward and as low as possible.
- Do not grip the inside or spokes of the steering wheel when driving off-road. The steering wheel could jerk and injure your hands. Instead drive with your fingers and thumbs on the outside of the rim.

- Before operating vehicle, ensure that the driver and all passengers have their seat belts fastened.
- Always drive with the floor mats in place as the floor may become very hot. Particular care should be taken if you are barefoot.
- Lower your speed when encountering strong crosswinds. With its higher center of gravity, your NISSAN is more affected by gusty side winds. Slower speeds ensure better vehicle control.
- Do not drive beyond the performance of the tires even with 4WD. Sudden acceleration, steering or braking may cause loss of control or the vehicle to stick in the road.
- Install the same size of winter tires on all four (4) wheels (such as studless tires) or install tire chains to the rear wheels when driving on slippery roads (e.g., after a snow) and drive carefully using 4WD.
- Be sure to check the brakes immediately after driving in mud or water as specified in “Wet brakes” under the

heading “Precautions when driving”, later in this section.

- Whenever you drive off-road through sand, mud or water as deep as the wheel hub, more frequent maintenance may be required. For details, refer to “Maintenance for off-road driving in the “Maintenance schedule” section.
- Avoid parking your vehicle on steep hills. If you get out of the vehicle and it rolls forward, backward or sideways, you could be injured.

4x4 TIRES OF 4-WHEEL DRIVE

CAUTION

Always use tires of the same size, brand, construction (bias, bias-belted or radial), and tread pattern on all four wheels. Failure to do so may result in a circumference difference between tires on the front and rear axles which will cause excessive tire wear and may damage the transmission, transfer case and differential gears.

If excessive tire wear is found, it is recommended that all four tires be replaced with tires of the same size, brand, construction and tread pattern. The tire pressure and wheel alignment should also be checked and corrected as necessary. Contact your NISSAN dealer.

Snow tires

If you install snow tires, they must also be the same size, brand, construction and tread pattern on all four wheels.

CAUTION

ONLY use spare tires specified for each 4-wheel drive model.

PARKING/PARKING ON HILLS

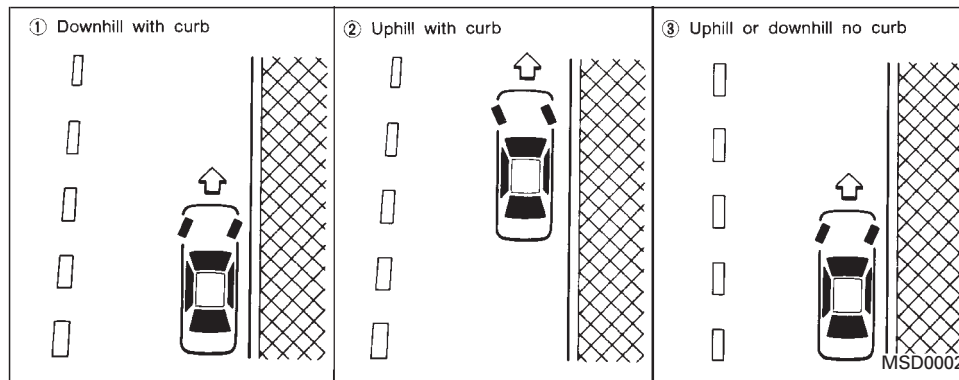
Tire inflation pressure

Periodically check the pressure in all tires, including the spare, with a gauge. Adjust to the specified pressure if necessary. Tire pressures are shown on the tire placard affixed to the glove box.

Tire chain

Tire chains must be installed only on the rear wheels and not on the front wheels.

Do not drive with tire chains on paved roads which are clear of snow. Driving with chains in such conditions can cause damage to the various mechanisms of the vehicle due to some overstress. When driving on clear paved roads, be sure to change to 2WD.



⚠ CAUTION

Do not park the vehicle over flammable materials such as dry grass, waste paper or rags, as they may burn easily.

1. Firmly apply the parking brake.
2. **Manual transmission models:**

Place the gearshift lever in the R (Reverse) position. When parking on an uphill grade, place the gearshift lever in the 1st position.

Automatic transmission models:

Move the gearshift lever to the P (Park) position.

⚠ CAUTION

Safe parking procedures require that both the parking brake be set and the transmission placed into P (Park) position. Make sure the gear lever has been pushed as far forward as it can go and cannot be moved without depressing the button at the end of the lever.

 **WARNING**

4x4 The transfer control lever must be in the 2H, 4H or 4L position to prevent the vehicle from rolling.

Never place it in the N position. Otherwise, the vehicle could roll unexpectedly even if the manual transmission is in gear.

3. To help prevent the vehicle from rolling into the street when parked on an incline, it is a good practice to turn the wheels as illustrated.

● **HEADED DOWNHILL WITH CURB: ①**

Turn the wheels into the curb and move the vehicle forward until the curb side wheel gently touches the curb.

● **HEADED UPHILL WITH CURB: ②**

Turn the wheels away from the curb and move the vehicle back until the curb side wheel gently touches the curb.

● **HEADED UPHILL OR DOWNHILL, NO CURB: ③**

Turn the wheels toward the side of the road so the vehicle will move away from the center of the road if it moves.

4. Turn the ignition key to the LOCK position and remove the key.

 **CAUTION**

- **Never leave the engine running while the vehicle is unattended.**
- **Never leave children unattended in the vehicle.**

PRECAUTIONS WHEN DRIVING

● **Driving with vacuum assisted brakes:**

The brake booster aids braking by using engine vacuum. If the engine stops, you can stop the vehicle by depressing the brake pedal. However, greater foot pressure on the brake pedal will be required to stop the vehicle and the stopping distance will be longer.

● **Driving with power assisted steering:**

The power assisted steering is designed to use a hydraulic pump, driven by the engine, to assist steering.

If the engine stops or drive belt breaks, you will still have control of the vehicle. However, much greater steering effort is needed, especially in sharp turns or at low speeds.

● **Wet brakes:**

When the vehicle is washed or driven through water, the brakes may get wet. As a result, your braking distance will be longer and the vehicle may pull to one side during braking.

To dry brakes, drive the vehicle at a safe speed while lightly pressing the brake pedal to heat-up the brakes. Do this until

REAR ANTI-LOCK BRAKE SYSTEM (R-ABS)

the brakes return to normal. Avoid driving the vehicle at high speeds until the brakes function correctly.

- Avoid resting your foot on the brake pedal while driving. This will overheat the brakes, wear out the brake linings and pads faster and reduce gas mileage.
- To help reduce brake wear and to prevent the brakes from overheating, before going down a slope or long grade, reduce speed and downshift to a lower gear.
- While driving on a slippery surface, be careful when braking, accelerating or downshifting. Abrupt braking actions or sudden acceleration could cause the wheels to skid.

Normal Operation

The anti-lock brake system does not operate at speeds below 3 to 6 MPH (5 to 10 km/h). (The speeds vary according to road conditions.)

When driving in the 2-wheel drive mode, the rear anti-lock brake system controls the rear wheels so they will not lock when braking abruptly or when braking on a slippery road. Thus, difficult steering and swerving of the vehicle due to locked rear wheels is minimized. The system detects the rear wheel rotation rate and electronically controls the pressure applied to each rear brake. Slight vibration on the brake pedal accompanied by noise usually occurs while the ABS system is operating. Such vibration and noise encountered during abrupt braking is not a problem, but indicates that the system is functioning.

Even with the rear anti-lock brake system, your front wheels can still lock. If this happens, release the brake pedal slightly and then reapply pressure.

Self-test feature

The rear anti-lock brake system consists of an electronic sensor and two hydraulic so-

lenoids controlled by a computer. The computer has a built-in diagnostic feature that tests the system each time you start the engine and move the vehicle at a low speed in forward or reverse. When the self-test occurs, you may hear a “clunk” noise and/or feel a “pulsation” in the brake pedal. This is normal and is not an indication of any malfunction. If the computer senses any malfunction, it switches the rear anti-lock brake system off and turns on the ABS brake warning light in the dashboard. The brake system then operates normally, but without anti-lock assistance.

If an abnormality occurs in the system, the rear anti-lock function will cease but the ordinary brakes will continue to operate normally. The ABS brake warning light will then come on.

If the light comes on while you are driving, contact your NISSAN dealer for repair.

4x4 The rear anti-lock brake system may only be effective when driving in the 2-wheel drive mode.

When driving in the 4-wheel drive mode, the rear anti-lock brake system may not be effective in many cases because the front axle is connected with the rear axle through

the transfer gear. The rear wheels lock if the front wheels lock. If this happens, the rear anti-lock brake system may cease functioning but the ordinary brakes will continue to operate normally. The ABS brake warning light will then come on.

The above condition is not a malfunction and the rear anti-lock brake system recovers when the engine is started again. The ABS brake warning light then goes off.

Using the System

Depress the brake pedal and hold it down.

It is not necessary to pump the brake pedal.

Doing so may result in increased stopping distances.

WARNING

The rear anti-lock brake system is a sophisticated device. But it cannot prevent accidents resulting from careless or dangerous driving techniques. It can help maintain vehicle control under some conditions, but remember that the stopping distance on slippery surfaces will be longer than on normal surfaces even with rear wheel ABS.

Stopping distances may also be longer on rough, gravel, or snow covered roads, or if you are using tire chains. Always maintain a safe distance from the vehicle in front of you. Ultimately the responsibility for safety of self and others rests in the hands of the driver.

Tire type and condition may also affect braking effectiveness.

- **When replacing tires, install the specified size of tires on all 4 wheels.**
- **When installing a spare tire, make sure it is the proper size and type as specified on the tire placard. See “Tire placard” in the “Technical and consumer information” section.**

COLD WEATHER DRIVING CAUTIONS

Freeing a frozen door lock

To prevent a door lock from freezing, apply de-icer or glycerin through the key hole. If the lock becomes frozen, heat the key before inserting it into the key hole.

Anti-freeze

In the winter when it is anticipated that the temperature will drop below 32°F (0°C), check anti-freeze (ethylene glycol base) to assure proper winter protection. For details, see “Engine cooling system” in the “Do-it-yourself operations” section.

Battery

If the battery is not fully charged during extremely cold weather conditions, the battery fluid may freeze and damage the battery. To maintain maximum efficiency, the battery should be checked regularly. For details, see “Battery” in the “Do-it-yourself operations” section.

Draining of coolant water

If the vehicle is to be left outside without anti-freeze, drain the cooling system by opening the drain valves located under the radiator and on the engine block. Refill

before operating the vehicle. For details, see “Changing Engine Coolant” in the “Do-it-yourself operations” section.

Tire equipment

1. SUMMER tires are of a tread design to provide superior performance on dry pavement. However, the performance of these tires will be substantially reduced in snowy and icy conditions. If you operate your vehicle on snowy or icy roads, NISSAN recommends the use on all four wheels of MUD & SNOW or ALL SEASON tires. Please consult your NISSAN dealer for the tire type, size, speed rating and availability information.
2. For additional traction on icy roads, studded tires may be used. However, some provinces and states prohibit their use. Check local, state and provincial laws before installing studded tires.

Skid and traction capabilities of studded snow tires, on wet or dry surfaces, may be poorer than that of non-studded snow tires.

3. Tire chains may be used if desired. Use of tire chains may be prohibited according to location. Check the local laws

before installing tire chains. When installing tire chains, make sure they are of proper size for the tires on your vehicle and are installed according to the chain manufacturer's suggestions. **Use only SAE Class “S” chains.** Other types may damage your vehicle. Use chain tensioners when recommended by the tire chain manufacturer to ensure a tight fit. Loose end links of the tire chain must be secured or removed to prevent the possibility of whipping action damage to the fenders or undercarriage. If possible, avoid fully loading your vehicle when using tire chains. In addition, drive at a reduced speed, otherwise, your vehicle may be damaged and/or vehicle handling and performance may be adversely affected. Never install tire chains on a TEMPORARY USE ONLY spare tire. Do not use tire chains on dry roads.

Special winter equipment

It is recommended that the following items be carried in the vehicle during winter:

1. A scraper and stiff-bristled brush to remove ice and snow from the windows and wiper blades.

2. A sturdy, flat board to be placed under the jack to give it firm support.
3. A shovel to dig the vehicle out of snow-drifts.
4. Extra window washer fluid to refill the reservoir tank.

Driving on snow or ice

- **Wet ice (32°F, 0°C and freezing rain), very cold snow, or ice can be slick and very hard to drive on. The vehicle will have a lot less traction or “grip” under these conditions. Try to avoid driving on wet ice until the road is salted or sanded.**
- **Whatever the condition, drive with caution and accelerate gently. If accelerated too fast, the drive wheels will spin and will lose even more traction.**
- **Allow more stopping distance under these conditions. Braking should be started sooner than on dry pavement.**
- **Allow greater following distances on slippery roads.**
- **Watch for slippery spots (glare ice). These may appear on an otherwise**

clear road in shaded areas. If a patch of ice is seen ahead, brake before reaching it. Try not to brake while actually on the ice, and avoid any sudden steering maneuvers.

Engine block heater/Engine heater
(if so equipped)

An engine block heater/engine heater to assist extreme cold temperature starting is available through your NISSAN dealer.



WARNING

Do not use your heater with an ungrounded electrical system or two-pronged (cheater) adapters. You can be injured by an electrical shock if you use an ungrounded connection.

5 In case of emergency

Flat tire	5-2
Pantograph type jack	5-5
Screw type jack	5-6
Jump starting	5-8
Push starting	5-9
If your vehicle overheats	5-9
Tow truck towing	5-10
Vehicle recovery	5-12



FLAT TIRE

If you have a flat tire, follow the instructions below:

Stopping the vehicle

1. Safely move the vehicle off the road away from traffic.
2. Turn on the hazard warning flashers.
3. Park on a level surface and apply the parking brake. Shift the manual transmission into Reverse (R) (automatic transmission in P).

WARNING

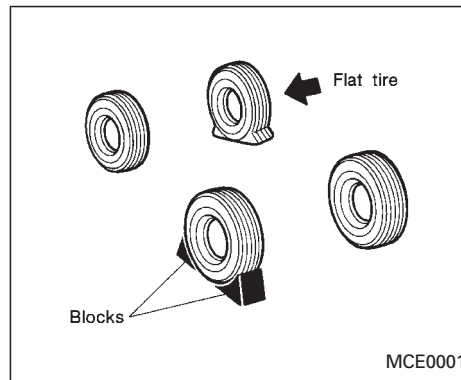
 The transfer control lever must be in the 2H, 4H or 4L position.

Never place it in the N position. Otherwise, the vehicle could roll unexpectedly even if the manual transmission is in gear.

4. Turn off the engine.

WARNING

- Make sure that the parking brake is securely applied and the manual transmission is shifted into Reverse (R) (automatic transmission in P).
- Never change tires when the vehicle is on a slope, ice or a slippery area. This is dangerous.
- Never change tires if oncoming traffic is close to your vehicle. Wait for professional road assistance.
- Raise the hood to warn other traffic and to signal professional road assistance personnel that you require assistance.
- Have all passengers get out of the vehicle and stand in a safe place away from traffic and clear of the vehicle.

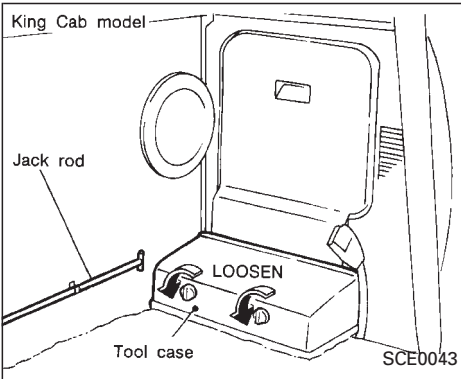
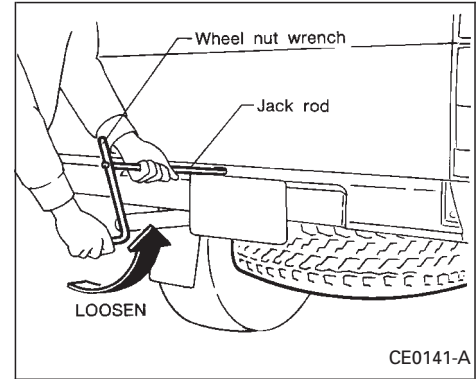
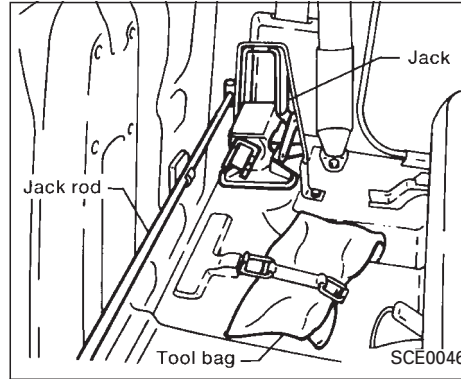
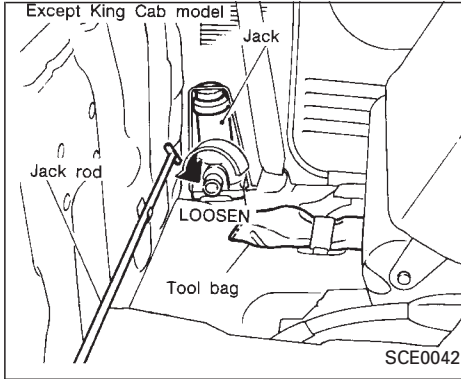


Blocking wheels

Place suitable blocks at both the front and back of the wheel diagonally opposite the flat tire to prevent the vehicle from rolling when it is jacked up.

WARNING

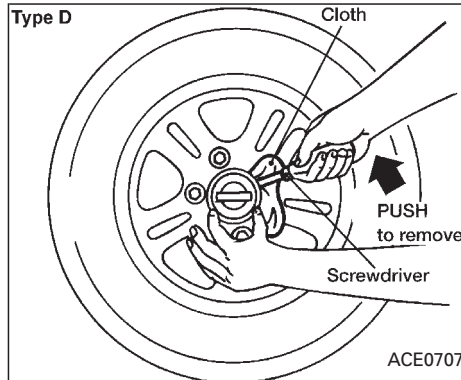
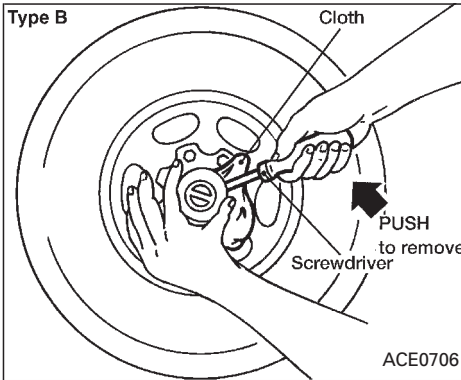
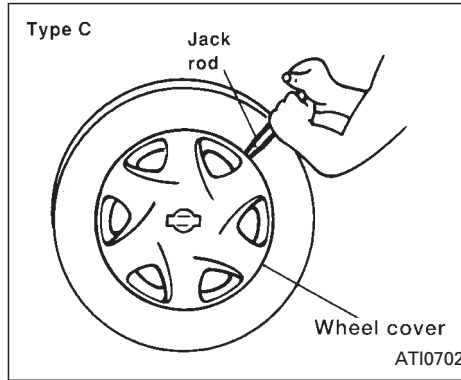
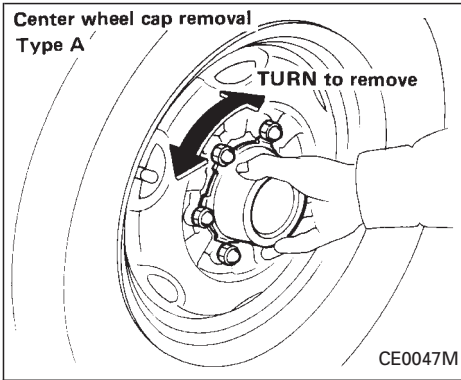
Be sure to block the wheel as the vehicle may move and could cause personal injury.



Getting the spare tire and tools

1. Remove the jack, jack rod, and tool kit from the storage area located behind the driver's seat.
2. Remove the wheel nut wrench from the tool kit; fit the square end of the jack rod into the square hole of the wheel nut wrench to form a handle.
3. Find the oval shaped opening under the middle of the tailgate; pass the T-shaped end of the jack rod through the opening and direct it towards the spare tire winch, located directly above the spare tire.

4. Seat the T-shaped end of the jack rod into the T-shaped opening of the spare tire winch, and turn the jack rod counter-clockwise to lower the spare tire.
5. Once the spare tire is completely lowered, reach under the vehicle, remove the retainer chain, and carefully slide the tire from under the rear of the vehicle.



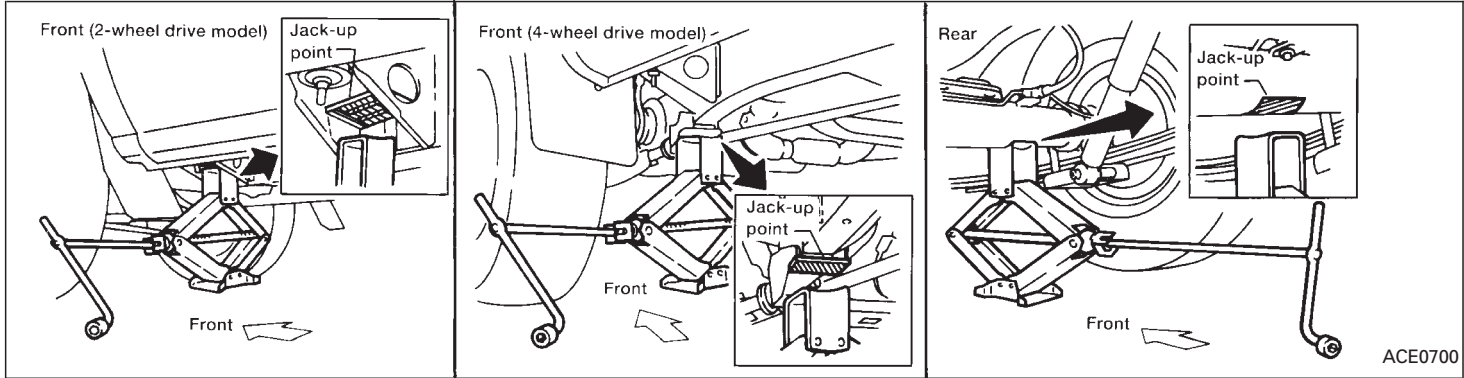
Removing wheel cover

⚠ WARNING

Do not use your hands to pry off wheel covers. Doing so could result in personal injury.

Use caution not to scratch the wheel cover.

PANTOGRAPH TYPE JACK



Jacking up the vehicle and removing the wheel

Identify the type of jack supplied with your truck.

You will find one of two types of jacks installed in your vehicle, a pantograph (scissor) type jack or a screw (bottle) type jack.

Always refer to the proper illustrations for the correct placement and jack-up points for your specific vehicle model and jack type.

To help avoid personal injury, carefully read the following instructions.

1. On 4-wheel drive models with a screw type jack, put the adapter stored in the tool bag on the jack when jacking up the front side.

Do not use the jack adapter for the rear.

2. Place the jack directly under the jack-up point.

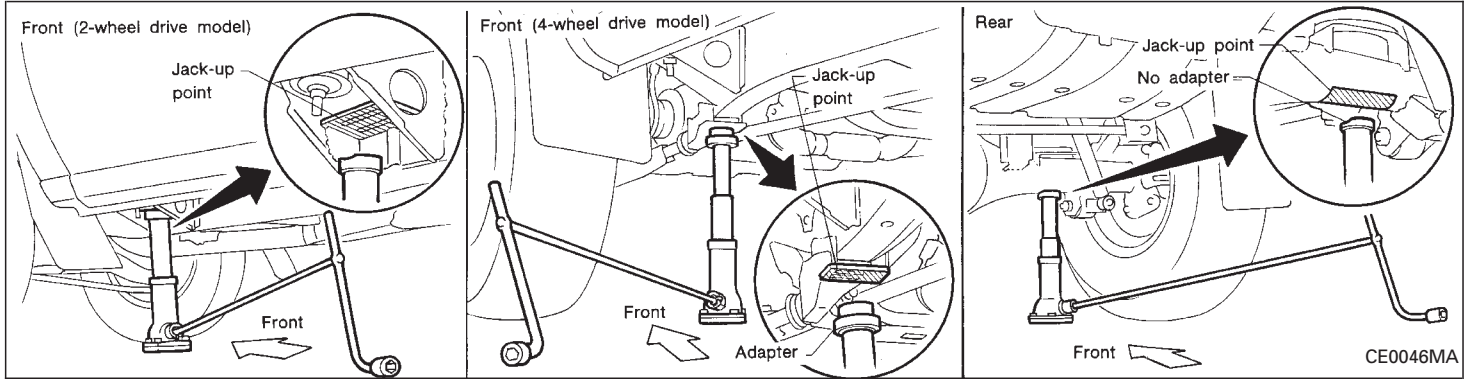
The jack should be used on level, firm ground.

3. Loosen each wheel nut on the flat tire one or two turns by turning counterclockwise with the wheel nut wrench.

Do not remove the wheel nuts until the tire is off the ground.

4. Carefully raise the vehicle until the flat tire clears the ground. Remove the wheel nuts, and then remove the wheel. Do not remove the brake drum with the wheel.

SCREW TYPE JACK

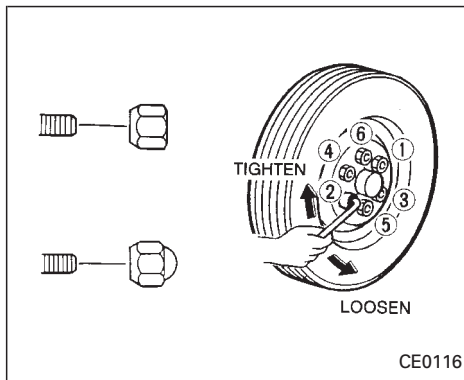


⚠ CAUTION

- Never get under the vehicle while it is supported only by the jack.
- Use the jack provided with your vehicle. Do not use the jack provided with your vehicle on other vehicles.
- The jack is designed only for lifting your vehicle during a tire change.
- Use the correct jack up points; never use any other part of the vehicle for jack support.

- Never jack up the vehicle more than necessary.
- Never use blocks on or under the jack.
- Do not start or run engine while vehicle is on the jack as it may cause the vehicle to move.
- Do not allow passengers to stay in the vehicle while it is on the jack.
- Do not raise the vehicle using a bumper jack.

- Never run the engine with the wheels off the ground. It may cause the vehicle to move. This is especially true for vehicles with limited slip differential carriers.



Installing wheel

The spare tire is designed for emergency use. See specific instructions under the heading “Wheels and tires” in the “Do-it-yourself operations” section.

1. Clean any mud or dirt from the surface between the wheel and hub.
2. Carefully put the spare tire on and tighten the wheel nuts finger tight.
3. With the wheel nut wrench, tighten wheel nuts alternately and evenly until they are tight.

4. Lower the vehicle slowly until the tire touches the ground. Then, with the wheel nut wrench, tighten the wheel nuts securely in the sequence as illustrated.

⚠ CAUTION

- As soon as possible, tighten the wheel nuts to the specified torque with a torque wrench.
- Wheel nut tightening torque:
87 to 108 ft-lb (118 to 147 N·m)
- The wheel nuts must be kept tightened to specifications at all times. It is recommended that wheel nuts be tightened to specification at each lubrication interval.
- Adjust tire pressure to the COLD pressure.

COLD pressure:

After vehicle has been parked for three hours or more or driven less than 1 mile (1.6 km).

COLD tire pressures are shown on the tire placard affixed to the glove box lid.

- Retighten the wheel nuts when the

vehicle has been run for 600 miles (1,000 km).

5. Securely store the flat tire and jacking equipment in the vehicle.

⚠ WARNING

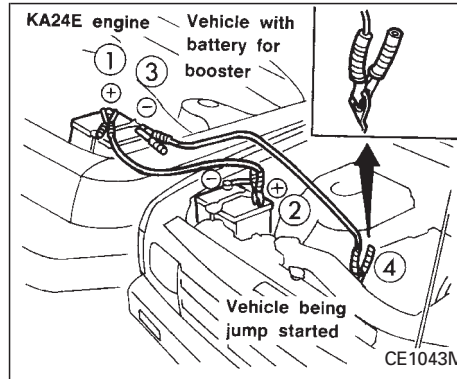
- Always make sure that the spare tire and jacking equipment are properly secured after use. Such items can become dangerous projectiles in an accident or sudden stop.
- The spare tire is designed for emergency use. See specific instructions under the heading “Wheels and tires” in the “Do-it-yourself operations” section.

JUMP STARTING

To start your engine with a booster battery, the instructions and precautions below must be followed.

CAUTION

- If done incorrectly, jump starting can lead to a battery explosion, resulting in severe injury or death. It could also damage your vehicle.
- Explosive hydrogen gas is always present in the vicinity of the battery. Keep all sparks and flames away from the battery.
- Do not allow battery fluid to come into contact with eyes, skin, cloth or painted surfaces. Battery fluid is a corrosive sulphuric acid solution which can cause severe burns. If the fluid should come into contact with anything, immediately flush the contacted area with water.
- Keep battery out of the reach of children
- The booster battery must be rated at 12 volts. Use of an improper rated battery can damage your vehicle.
- Whenever working on or near a battery, always wear suitable eye protec



tors (e.g., goggles or industrial safety spectacles) and remove rings, metal bands, or any other jewelry. Do not lean over the battery when jump starting.

- Do not attempt to jump start a frozen battery. It could explode and cause serious injury
- Your vehicle has an automatic engine cooling fan. It could come on at any time. Keep hands and other objects away from it.

Always follow the instructions below

exactly. Failure to do so could result in damage to the charging system and cause personal injury.

1. If the booster battery is in another vehicle, position the two vehicles to bring their batteries into close proximity to each other.

Do not allow the two vehicles to touch.

2. Apply the parking brake. Move the shift lever to Neutral (N) (on automatic transmission models, move the lever to P). Switch off all unnecessary electrical systems (lights, heater, air conditioner, etc.).
3. Remove vent caps on the battery (if so equipped). Cover the battery with an old cloth to reduce explosion hazard.
4. Connect jumper cables in the sequence as illustrated.

CAUTION

- Always connect positive (+) to positive (+) and negative (-) to body ground (e.g., strut mounting bolt, etc.—not to the battery).

PUSH STARTING

- **Make sure that cables do not touch moving parts in the engine compartment and that clamps do not contact any other metal.**

5. Start the engine of the booster vehicle and let it run for a few minutes.
6. Keep the engine speed of the booster vehicle at about 2,000 rpm, and start your engine in the normal manner.

CAUTION

Do not keep the starter motor engaged for more than 10 seconds. If the engine does not start right away, turn the key off and wait 3 to 4 seconds before trying again.

7. After starting your engine, carefully disconnect the negative cable and then the positive cable.
8. Replace the vent caps (if so equipped). Be sure to dispose of the cloth used to cover the vent holes as it may be contaminated with corrosive acid.

CAUTION

- **Automatic transmission models cannot be started by pushing. This may cause transmission damage.**
- **Three-way catalyst equipped models should not be started by pushing since the three-way catalyst may be damaged.**
- **Never try to start the vehicle by towing it; when the engine starts, the forward surge could cause the vehicle to collide with the tow vehicle.**

IF YOUR VEHICLE OVERHEATS

If your vehicle is overheating (indicated by an extremely high temperature gauge reading), or if you feel a lack of engine power, detect abnormal noise, etc., take the following steps:

WARNING

- **Do not continue to drive if your vehicle overheats. Doing so could cause a vehicle fire.**
- **To avoid the danger of being scalded, never remove the radiator cap while the engine is still hot. When the radiator cap is removed, pressurized hot water will spurt out, possibly causing serious injury.**
- **Do not open the hood if steam is coming out.**

1. Move the vehicle safely off the road, apply the parking brake and move the gearshift lever to Neutral (automatic transmission to P).

Do not stop the engine.

2. Turn off the air conditioning. Open all the windows, move the heater or air conditioner temperature control to maximum

hot and fan control to high speed.

3. If engine overheating is caused by climbing a long hill on a hot day, run the engine at a fast idle (approximately 1,500 rpm) until the temperature gauge indication returns to normal.
4. Get out of the vehicle. Look and listen for steam or coolant escaping from the radiator before opening the hood. Wait until no steam or coolant can be seen before proceeding.
5. Open the engine hood.

 **WARNING**

If steam or water is coming from the engine, stand clear to prevent getting burned.

6. Visually check drive belts for damage or looseness. Also check if the cooling fan is running. The radiator hoses and radiator should not leak water. If coolant is leaking, the water pump belt is missing or loose, or the cooling fan does not run, stop the engine

 **WARNING**

- **Be careful not to allow your hands, hair, jewelry or clothing to come into contact with, or to get caught in, the running fan or belts.**
7. After the engine cools down, check the coolant level in the reservoir tank with the engine running. Add coolant to the reservoir tank if necessary. Have your vehicle repaired at the nearest NISSAN dealer.

TOW TRUCK TOWING

When towing your vehicle, all State (Provincial in Canada) and local regulations for towing must be followed. Incorrect towing equipment could damage your vehicle. Towing instructions are available from your NISSAN dealer. Local service operators are generally familiar with the applicable laws and procedures for towing. To assure proper towing and to prevent accidental damage to your vehicle, NISSAN recommends having a service operator tow your vehicle. It is advisable to have the service operator carefully read the following precautions:

 **WARNING**



- **Never ride in a vehicle that is being towed.**
- **Never get under your vehicle after it has been lifted by a tow truck.**

 **CAUTION**

- **When towing, make sure that the transmission, axles, steering system and powertrain are in working condition. If any unit is damaged, a dolly must be used.**
- **When towing with the front wheels**

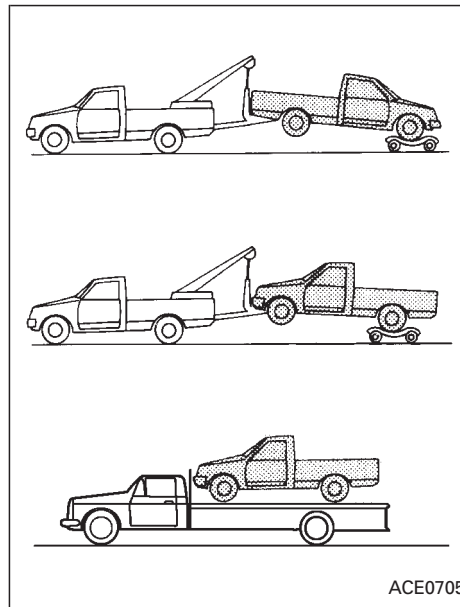
on the ground:

Turn the ignition key to the OFF position and secure the steering wheel in a straight-ahead position with a rope or similar device. Never place the ignition key in the LOCK position. This will result in damage to the steering lock mechanism.

- When towing with the rear wheels on the ground, release the parking brake and move the gearshift lever to the Neutral (N) position).
- On automatic transmission models, to move the shift lever to Neutral (N position), turn the ignition key to the ACC position. After moving the shift lever to neutral (N position), be sure to turn the ignition key to the OFF position.
- For 4-wheel drive model:
Set the free-running hubs to the free position (See “ Auto-lock free-running hubs” or “ Manual-lock free-running hubs” as appropriate in

the “Starting and driving” section). Move the transfer case shift lever into the 2H position and the transmission shift lever into the Neutral (N) position.

- Attach safety chains for all towing.



2-WHEEL DRIVE MODELS

NISSAN recommends that your vehicle be towed with the driving (rear) wheels off the ground as illustrated.



⚠ CAUTION

If you have to tow your vehicle with four wheels on ground or with front wheels raised (with rear wheels on ground), observe the following restricted towing speeds and distances:

Automatic transmission model:

- Speed: Below 30 MPH (50 km/h)
- Distance: Less than 40 miles (65 km)

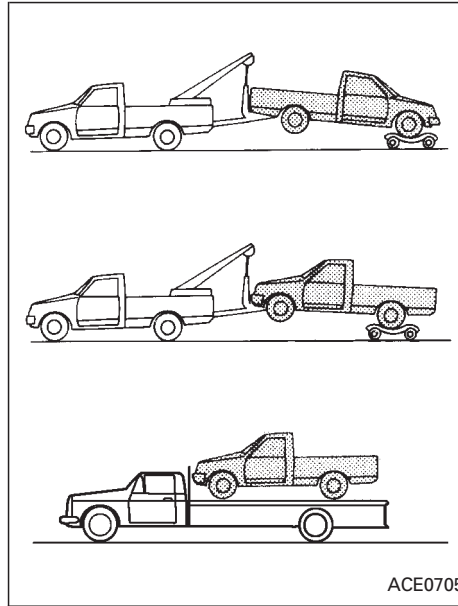
Manual transmission model:

- Speed: Below 60 MPH (95 km/h)
- Distance: Less than 500 miles (800 km)

If the speed or distance must necessarily be greater, remove the propeller shaft beforehand to prevent damage to the transmission.

⚠ CAUTION

Never tow your vehicle from the rear (i.e., backward) with four wheels on the ground as this may cause serious and expensive damage to the transmission.



4-WHEEL DRIVE MODELS

NISSAN recommends that a dolly be used as illustrated when towing your vehicle.

⚠ CAUTION

If you have to tow your vehicle with four wheels on ground or with front or rear wheels raised, observe the following restricted towing speeds and distances:

- Speed: Below 60 MPH (95 km/h)
- Distance: Less than 500 miles (800 km)

If the speed or distance must necessarily be greater, remove the front and rear propeller shafts beforehand to prevent damage to the transmission.

⚠ CAUTION

- Never tow your vehicle from the rear (i.e., backward) with four wheels on the ground as this may cause serious and expensive damage to the transmission.
- Be sure to place the transfer case shift lever into the 2H position and the transmission shift lever into the Neutral (N) position.

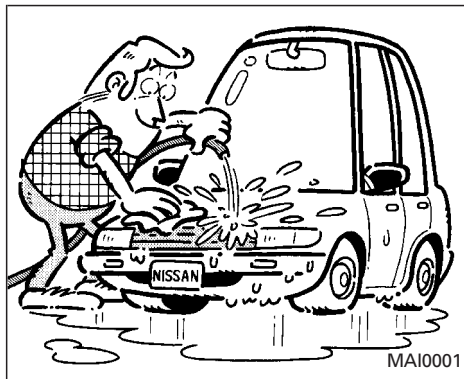
VEHICLE RECOVERY (Freeing a stuck vehicle)

6 Appearance and interior care

Cleaning exterior and interior	6-2
Corrosion protection	6-4



CLEANING EXTERIOR AND INTERIOR



In order to maintain the appearance of your vehicle, it is important to take proper care of it.

In the following cases, please wash your vehicle as soon as possible to protect the paint surface.

- After a rainfall to prevent possible damage from acid rain
- After driving on coastal roads
- When things such as soot, bird droppings, tree sap, metal particles or bugs get on the paint surface

- When dust or mud builds up on the surface

Whenever possible, store or park your vehicle inside a garage or in a covered area.

When it is necessary to park outside, park in a shady area or protect the vehicle with a body cover.

Be careful not to scratch the paint surface when putting on or removing the body cover.

Washing

Do not wash your vehicle in direct sunlight or while the body is hot.

Wash dirt off with a wet sponge and plenty of water. Clean the vehicle thoroughly using a mild soap, a special vehicle soap or general purpose dishwashing liquid mixed with clean, lukewarm (never hot) water.

CAUTION

Do not use strong household soap, strong chemical detergents, gasoline or solvents.

Rinse the vehicle thoroughly with plenty of clean water.

Inside flanges, seams and folds on the doors, hatches and hood are particularly endangered by the effects of road salt. Therefore, these areas must be regularly cleaned. Take care that the drain holes in the lower edge of the door are open. Spray water under the body and in the wheel wells to loosen the dirt and wash away road salt.

A damp chamois can be used to dry the vehicle to avoid water spots.

Waxing

Regular waxing protects the paint surface and helps retain new vehicle appearance. After waxing, polishing is recommended to remove built-up residue and to avoid a "weathered" appearance.

Your NISSAN dealer can assist you in choosing the proper product.

- Wax your vehicle only after a thorough washing. Follow the instructions supplied with the wax.
- Do not use a wax containing any abrasives, cutting compounds or cleaners that may damage the vehicle finish.

- If the surface does not polish easily, use a “road tar” remover and wax again.

Machine compounding or aggressive polishing on a base coat/clear coat paint finish may dull the finish or leave swirl marks.

Only apply black wax or black shoe polish to the black urethane or polypropylene bumper.

Removing spots

Remove tar and oil spots, industrial dust, insects and tree sap as quickly as possible from the surface of the paint to avoid permanent damage or staining. Special cleaning products are available at your NISSAN dealer or any automotive accessories store.

Underbody

In areas where road salt is used in winter, it is necessary to clean the underbody regularly in order to prevent dirt and salt from building up and causing corrosion on the underbody and suspension. Before the winter period and again in the spring, the underseal must be checked and, if necessary, re-treated.

Cleaning glass

Use glass cleaner to remove smoke and dust film from the glass surfaces. It is normal for glass to be coated with a film after the vehicle is parked in the hot sun. Glass cleaner and a soft cloth easily remove this film.

CAUTION

When cleaning the inside of the window, do not use any sharp-edged tools or abrasive cleaners or chlorine-based disinfectant cleaners. They could damage the electrical conductors, radio antenna elements or rear window defogger elements.

Cleaning aluminum alloy wheels

Wash regularly, especially during winter months in areas where road salt is used. Salt could discolor the wheel if not removed.

Chrome parts

Clean all chrome parts regularly with a non-abrasive chrome polish to maintain the finish.

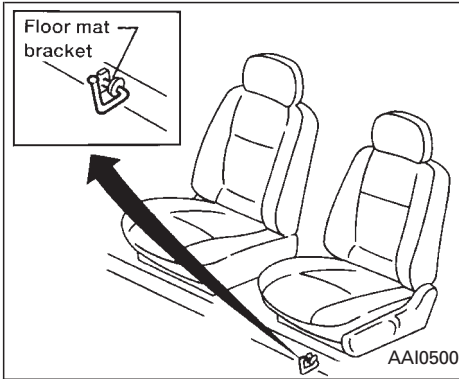
Cleaning interior

Occasionally remove loose dust from the interior trim, plastic parts and seats using a vacuum cleaner or soft brush. Wipe the vinyl and leather surfaces with a clean, soft cloth dampened in mild soap solution, then wipe clean with a dry soft cloth. Before using any fabric protector, read the manufacturer's recommendations. Some fabric protectors contain chemicals that stain or bleach the seat material.

CAUTION

- **Never use benzine, thinner or any similar material.**
- **The leather seats should be regularly coated with a leather wax like saddle soap. Never use car wax.**
- **Never use fabric protectors unless recommended by the manufacturer.**

CORROSION PROTECTION



Floor mat positioning aid (Driver side only)

Some models include a floor mat pin to act as a floor mat positioning aid. Nissan floor mats have been specially designed for your vehicle model. The driver's side floor mat has a grommet hole incorporated in it. Simply position the mat by placing the floor mat pin through the floor mat grommet hole while centering the mat in the floor pan contour. Periodically check to make certain that the mats are properly positioned.

Floor mats

The use of Genuine Nissan floor mats can extend the life of your vehicle carpet and make it easier to clean the interior. No matter what mats are used, be sure they are fitted for your vehicle and are properly positioned in the footwell to prevent interference with pedal operation. Mats should be maintained with regular cleaning and replaced if they become excessively worn.

Seat belts

The seat belts can be cleaned by wiping them with a sponge dampened in a mild soap solution. Allow the belts to dry completely before using them. Do not allow wet belts to roll up in the retractor. NEVER use bleach, dye or chemical solvents since these may severely weaken the seat belt webbing.

Most common factors contributing to vehicle corrosion:

1. The accumulation of moisture-retaining dirt and debris in body panel sections, cavities, and other areas.
2. Damage to paint and other protective coatings caused by gravel and stone chips or minor traffic accidents.

Environmental factors influencing the rate of corrosion:

1. Moisture

The accumulation of sand, dirt and water on the underside of the body accelerates corrosion. Floor sections which have snow and ice trapped under the floor matting will not dry.

2. Relative humidity

Corrosion will be accelerated:

- in areas of high relative humidity.
- especially in areas where the temperatures stay above freezing.
- where atmospheric pollution exists.
- where road salt is used.

3. Temperature

A temperature increase accelerates the rate of corrosion to those parts which are not well ventilated.

4. Air pollution

Industrial pollution, the presence of salt in the air in coastal areas, or heavy road salt use will accelerate the corrosion process. Road salt will also accelerate the disintegration of paint surfaces.

To protect your vehicle from corrosion:

- Wash and wax your vehicle often to keep the vehicle clean.
- Always check for minor damage to the paint and repair it as soon as possible.
- Keep drain holes at the bottom of the doors and tailgate open to avoid water accumulation.
- Check the underbody and inside the pick-up box. If any sand, dirt or salt is accumulated, wash it off with water as soon as possible.
- **NEVER remove dirt, sand or other debris from the passenger compart-**

ment by washing with a hose. Remove dirt with a vacuum cleaner or broom.


- **Never allow water or other liquids to come in contact with electronic components inside the vehicle.**

Chemicals used for road surface de-icing are extremely corrosive. They accelerate corrosion and deterioration of underbody components such as the exhaust system, fuel and brake lines, brake cables, floor pan and fenders.

In winter, the underbody must be cleaned periodically.

For additional protection against rust and corrosion, which may be required in some areas, consult your local NISSAN dealer.

7 Do-it-yourself operations

Maintenance precautions	7-2
Engine compartment check locations	7-3
Engine cooling system	7-4
Engine oil	7-6
Automatic transmission fluid	7-9
Power steering fluid	7-11
Brake and clutch fluid	7-11
Window washer fluid	7-12
Battery	7-13
Drive belts	7-14
Spark plug replacement	7-14
Air cleaner housing filter	7-15
Wiper blades	7-16
Parking brake check	7-17
Brake pedal	7-18
Brake booster	7-19
Clutch pedal	7-19
Fuses	7-20
Light bulbs	7-20
Bulb replacement	7-22
Wheels and tires	7-24
 Clutch housing	7-29



MAINTENANCE PRECAUTIONS

When performing any inspection or maintenance work on your vehicle, always take care to prevent serious accidental injury to yourself or damage to the vehicle. The following are general precautions which should be closely observed.

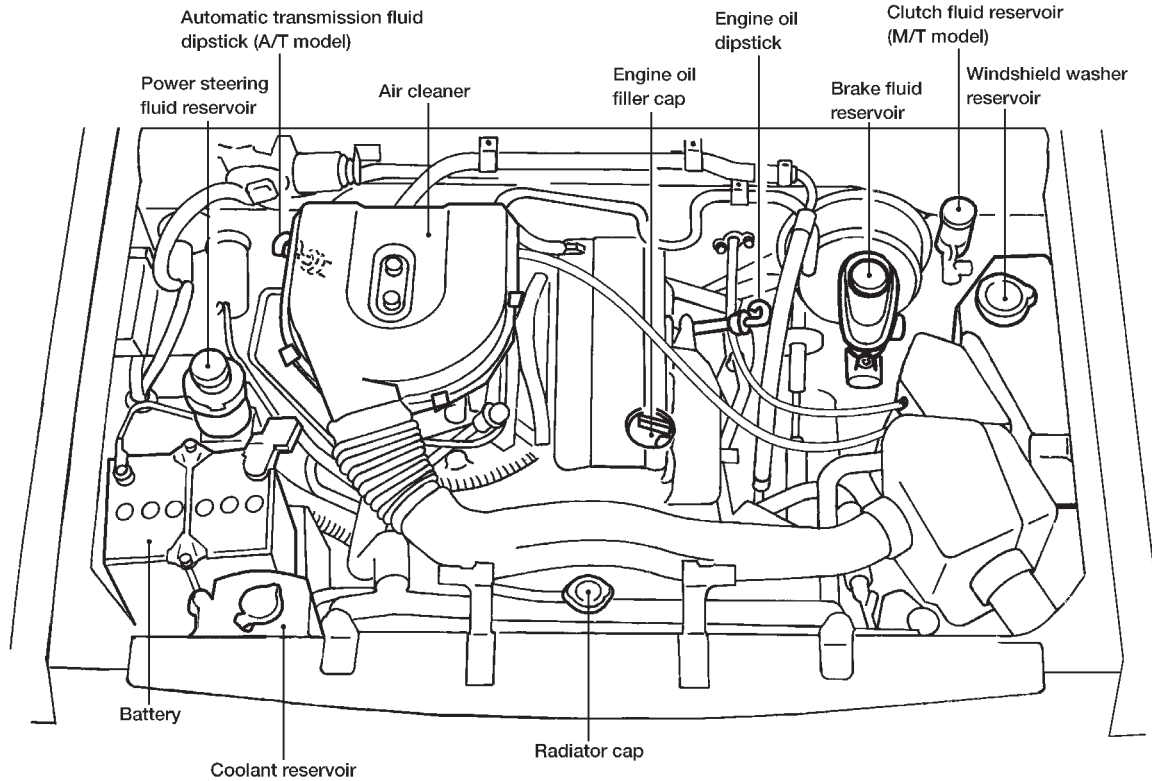
- **Park the vehicle on a level surface, apply the parking brake securely and block the wheels to prevent the vehicle from moving. For a manual transmission, move the shift lever to Neutral. For an automatic transmission, move the shift lever to P (Park).**
- **Be sure the ignition key is OFF when performing any parts replacement or repairs.**
- **Do not work under the hood while the engine is hot. Turn the engine off and wait until it cools down.**
- **If you must work with the engine running, keep your hands, clothing, hair and tools away from moving fans, belts, and any other moving parts.**
- **It is advisable to remove ties and any jewelry, such as rings, watches, etc., before working on your vehicle.**
- **If you must run the engine in an enclosed space such as a garage, be sure there is proper ventilation for exhaust gases.**
- **Never get under the vehicle while it is supported only by a jack. If it is necessary to work under the vehicle, support it with safety stands.**
- **Keep smoking materials, flame and sparks away from fuel and battery.**
- **Never connect or disconnect either the battery or any transistorized component connector while the ignition is on.**
- **On gasoline engine models with the Multiport Fuel Injection (MFI) system, the fuel filter or fuel lines should be serviced by a NISSAN dealer because the fuel lines are under high pressure even when the engine is off.**
- **Failure to follow these or other common sense guidelines may lead to serious injury or vehicle damage.**
- **Improperly disposed motor oil and/or other vehicle fluids can hurt the environment. Always conform to local**

regulations for disposal of vehicle fluid. Avoid contact with used motor oil.

This “Do-it-yourself operations” section gives instructions regarding only those items which are relatively easy for an owner to perform.

You should be aware that incomplete or improper servicing may result in operating difficulties or excessive emissions, and could affect your warranty coverage. **If in doubt about any servicing, have it done by your NISSAN dealer.**

ENGINE COMPARTMENT CHECK LOCATIONS



ENGINE COOLING SYSTEM

The engine cooling system is filled at the factory with a high-quality, year-round, anti-freeze coolant solution. The anti-freeze solution contains rust and corrosion inhibitors, therefore additional cooling system additives are not necessary.

CAUTION

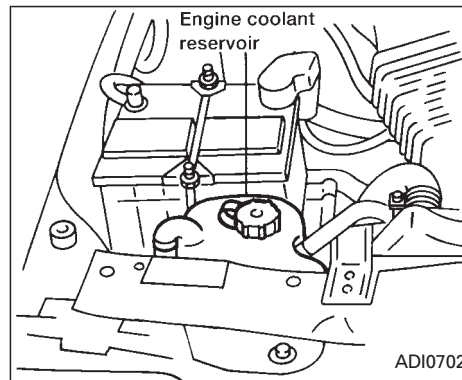
When adding or replacing coolant, be sure to use only an ethylene glycol anti-freeze with the proper mixture ratio of 50% anti-freeze and 50% distilled water. The use of other types of coolant solutions may damage your cooling system.

Outside temperature down to		Anti-freeze	Distilled water
°C	°F		
-35	-30	50%	50%

The radiator is equipped with a pressure cap. Use a genuine NISSAN cap or its equivalent when replacement is required.

Never remove the radiator cap when the engine is hot. Serious burns could be caused by high pressure fluid escaping from the radiator.

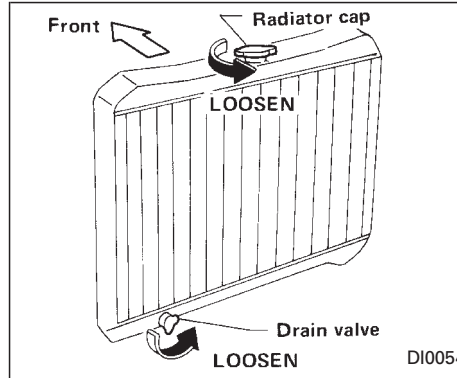
Wait until the engine and radiator cool down. See precautions in “If your vehicle overheats” found in the “In case of emergency” section.



CHECKING ENGINE COOLANT LEVEL

Check the coolant level in the reservoir tank when the engine is cold. If the coolant level is below the MIN level, add coolant to the MAX level. If the reservoir tank is empty, check the coolant level in the radiator **when the engine is cold**. If there is insufficient coolant in the radiator, fill the radiator with coolant up to the filler opening and also add it to the reservoir tank up to the MAX level.

If the cooling system frequently requires coolant, have it checked by your NISSAN dealer.



CHANGING ENGINE COOLANT

- Major cooling system repairs should be performed by your NISSAN dealer. The service procedures can be found in the appropriate NISSAN Service Manual.
- Improper servicing can result in reduced heater performance and engine overheating.

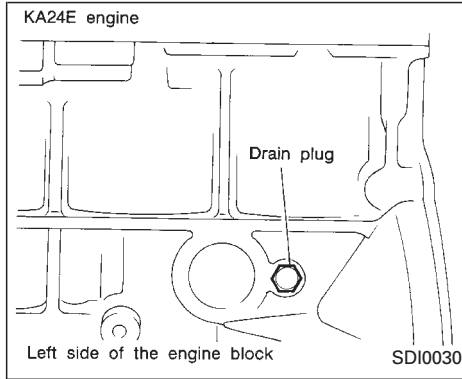
WARNING

- To avoid the danger of being scalded, never change the coolant when the engine is hot.

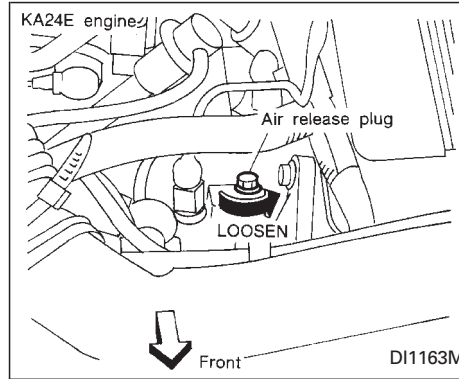
- Never remove the radiator cap when the engine is hot. Serious burns could be caused by high pressure fluid escaping from the radiator.

1. Move the heater or air conditioner temperature control to the maximum hot position.
2. Open the radiator drain valve. Open the drain plug on the engine block.
3. Open the radiator cap to drain the coolant.
4. Flush the cooling system by running fresh water through the radiator.
5. Close the radiator drain valve and drain plug on the engine block securely.
6. See "Capacities and recommended fuel/lubricants" in the "Technical and consumer information" section for cooling system capacity. Fill the radiator slowly with the proper mixture of coolant and water. Fill the reservoir tank slowly up to the MAX level.

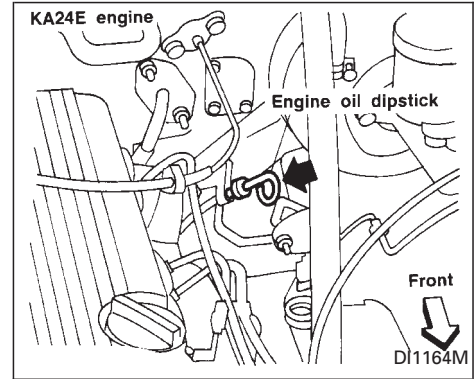
ENGINE OIL



7. Open and close the air release plug to release air. Then fill the radiator again and install the radiator cap.
8. Start the engine and warm it up until it reaches normal operating temperature. Then race the engine 2 or 3 times under no load. Watch the coolant temperature gauge for signs of overheating.
9. Stop the engine. After it completely cools down, refill the radiator up to the filler opening. Fill the reservoir tank up the MAX level.



10. Open and close the air release plug to release air. Then fill the radiator again and install the radiator cap.
11. Check the drain valve on the radiator and drain plug on the engine block for any sign of leakage.

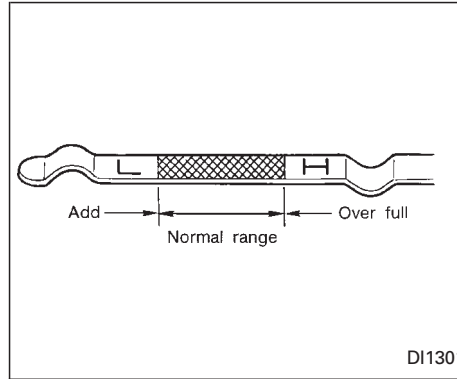


CHECKING ENGINE OIL LEVEL

1. Park the vehicle on a level surface and apply the parking brake.
2. Run the engine until it reaches operating temperature.
3. Turn off the engine. **Wait a few minutes for the oil to drain back into the oil pan.**
4. Remove the dipstick and wipe it clean. Reinsert it all the way.
5. Remove the dipstick again and check the oil level. It should be between the H and

L marks. If the oil level is below the L mark, remove the oil filler cap and pour recommended oil through the opening. **Do not overfill.**

6. Recheck oil level with dipstick.



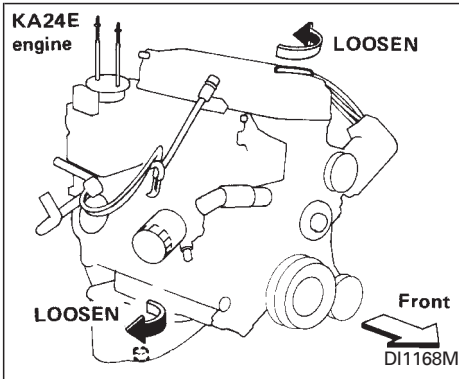
CAUTION

- Oil level should be checked regularly. Operating with insufficient amount of oil can damage the engine, and such damage is not covered by warranty.
- It is normal to add some oil between oil maintenance intervals or during the break-in period, depending on the severity of operating conditions.

CHANGING ENGINE OIL

1. Park the vehicle on a level surface and apply the parking brake.
2. Run the engine until it reaches operating temperature, and then turn it off.
3. Place a large drain pan under the drain plug.
4. Remove the oil filler cap.
5. Remove the drain plug with a wrench and completely drain the oil.

If the oil filter is to be changed, remove and replace it at this time. See “Changing engine oil filter” in this section.



⚠ WARNING

- Prolonged and repeated contact with used engine oil may cause skin cancer.
- Try to avoid direct skin contact with used oil. If skin contact is made, wash thoroughly with soap or hand cleaner as soon as possible.
- Keep used engine oil out of reach of children.
- Be careful not to burn yourself, as the engine oil is hot.

⚠ CAUTION

Waste oil must be disposed of properly. Check your local regulations.

6. Clean and re-install the drain plug and washer. Securely tighten the drain plug with a wrench. Do not use excessive force.

**Drain plug tightening torque:
22 to 29 ft-lb (29 to 39 N·m)**

7. Refill engine with recommended oil and install the cap securely.

See “Capacities and recommended fuel/lubricants” in the “Technical and consumer information” section for refill capacity.

8. Start the engine.

Check for leakage around the drain plug and oil filter. Correct as required.

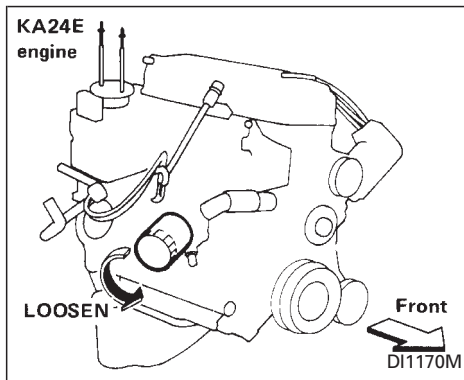
9. Turn the engine off and wait several minutes. Check the oil level with the dipstick. Add engine oil if necessary.

CHANGING ENGINE OIL FILTER

1. Park the vehicle on a level surface and apply the parking brake.
2. Turn the engine off.
3. Loosen the oil filter with an oil filter wrench. Remove the oil filter by turning it by hand.

⚠ WARNING

Be careful not to burn yourself, as the engine oil may be hot.



4. Wipe the engine oil filter mounting surface with a clean rag.

Be sure to remove any old rubber gasket remaining on the mounting surface of the engine.

5. Coat the rubber gasket on the new filter with engine oil.
6. Screw in the oil filter until a slight resistance is felt, then tighten an additional 2/3 turn.
7. Start the engine and check for leakage around the oil filter. Correct as required.

8. Turn the engine off and wait several minutes. Check the oil level. Add engine oil if necessary.

AUTOMATIC TRANSMISSION FLUID

WARNING

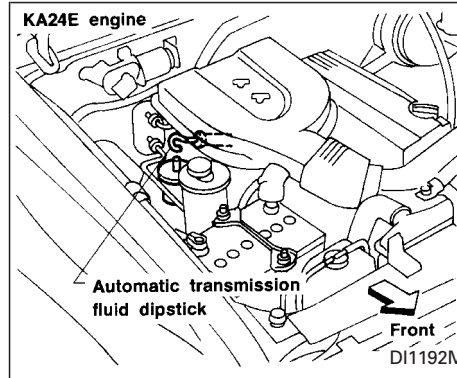
- When engine is running, keep hands and clothing away from any moving parts such as cooling fan and drive belts.
- Automatic transmission fluid is poisonous and should be stored carefully in marked containers out of the reach of children.

Temperature conditions for checking

- The fluid level should be checked using the HOT range on the dipstick after the following conditions have been met:
 - The engine should be warmed up to operating temperature.
 - The vehicle should be driven at least 5 minutes.
 - The automatic transmission fluid should be warmed to between 122 and 176°F (50 and 80°C).
- The fluid can be checked at fluid temperatures of 86 to 122°F (30 to 50°C) using the COLD range on the dipstick

after the engine is warmed up and before driving. However, the fluid should be re-checked using the HOT range.

1. Park the vehicle on a level surface and set the parking brake.
2. Start the engine and then move the selector lever through each gear range, ending in P.

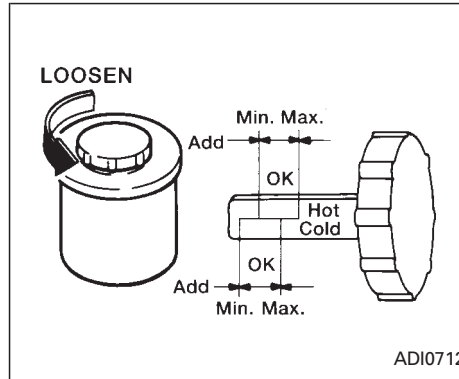
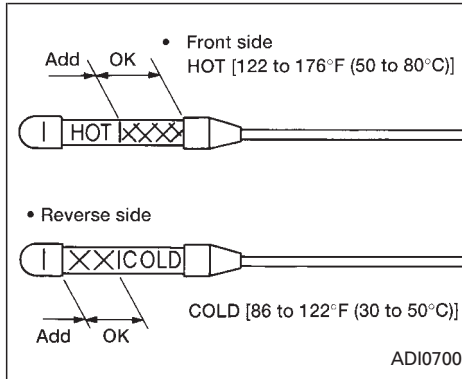


3. Check the fluid level with the engine idling.
4. Remove the dipstick and wipe it clean with lint-free paper.
5. Re-insert the dipstick into the charging pipe as far as it will go.
6. Remove the dipstick and note the reading. If the level is on the low side of either range, add fluid to the charging pipe.

⚠ CAUTION

- **DO NOT OVERFILL.**
- Use **ONLY** Nissan Matic 'D' (Continental U.S. and Alaska) or Genuine Nissan Automatic Transmission Fluid (Canada). Dexron® III/Mercon® or equivalent may also be used. Outside the continental United States and Alaska contact a Nissan dealership for more information regarding suitable fluids, including recommended brands of Dexron® III/Mercon® or Dexron® IIE/Mercon® Automatic Transmission Fluid.
- If the vehicle has been driven for a long time at high speeds, or in city traffic in hot weather, or if it is being used to pull a trailer, the fluid level cannot be read accurately. You should wait until the fluid has cooled down (about 30 minutes).

POWER STEERING FLUID



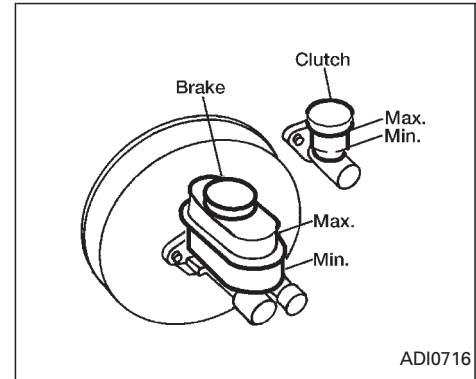
Check the power steering fluid level.

The fluid level should be checked using the HOT range on the dipstick at fluid temperatures of 122 to 176°F (50 to 80°C) or using the COLD range on the dipstick at fluid temperatures of 32 to 86°F (0 to 30°C).

⚠ CAUTION

- Do not overfill.
- The recommended fluid is type DEXRON™II or equivalent.

BRAKE AND CLUTCH FLUID



Check the brake fluid level in the reservoir. If the fluid level is below the MIN line or the brake warning light comes on, add **DOT 3** fluid up to the MAX line.

Check the clutch fluid level in the reservoir (manual transmission only). If the fluid level is below the MIN line, add **DOT 3** fluid up to the MAX line.

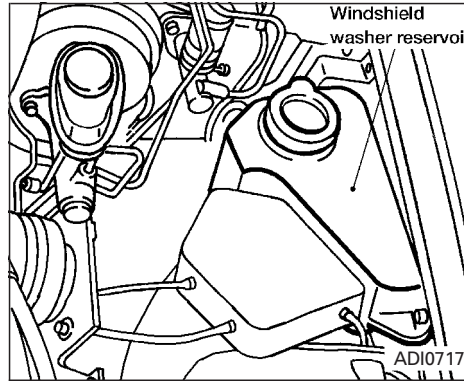
If fluid must be added frequently, the system should be thoroughly checked by your NISSAN dealer.

WINDOW WASHER FLUID

For further brake and clutch fluid specification information, refer to “Capacities and recommended fuel/lubricants” in the “Technical and consumer information” section of this manual.

CAUTION

- Use only new fluid from a sealed container. Old, inferior or contaminated fluid may damage the brake and clutch systems. The use of improper fluids can damage the brake system and affect the vehicle’s stopping ability.
- Do not spill the fluid on any painted surfaces. This will damage the paint. If fluid is spilled, wash with water.



For USA

Check the window washer fluid level in the reservoir tank and add fluid if necessary. Add a washer solvent to the water for better cleaning. In the winter season, add a windshield washer anti-freeze. Follow the manufacturer’s instructions for the mixture ratio.

Canada Only

Add fluid when the low washer fluid warning light comes on. Add a washer solvent to the water for better cleaning. In the winter season, add a windshield washer anti-freeze.

Follow the manufacturer’s instructions for the mixture ratio.

CAUTION

Do not substitute engine anti-freeze coolant for window washer solution. This may result in damage to the paint.

BATTERY

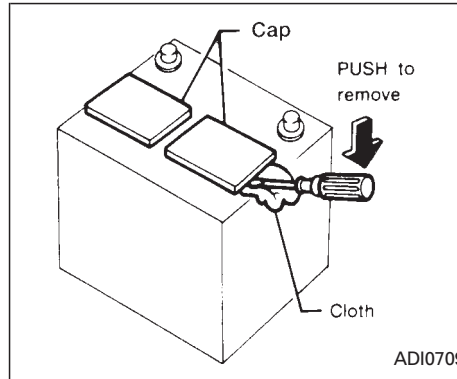
- Keep the battery surface clean and dry. Any corrosion should be washed off with a solution of baking soda and water.
- Make certain the terminal connections are clean and securely tightened.
- If the vehicle is not to be used for 30 days or longer, disconnect the negative (-) battery terminal cable to prevent discharge.

WARNING

Do not expose the battery to flames or electrical sparks. Hydrogen gas generated by battery action is explosive. Do not allow battery fluid to contact your skin, eyes, fabrics, or painted surfaces. After touching a battery or battery cap, do not touch or rub your eyes. Thoroughly wash your hands. If the acid contacts your eyes, skin or clothing, immediately flush with water for at least 15 minutes and seek medical attention.

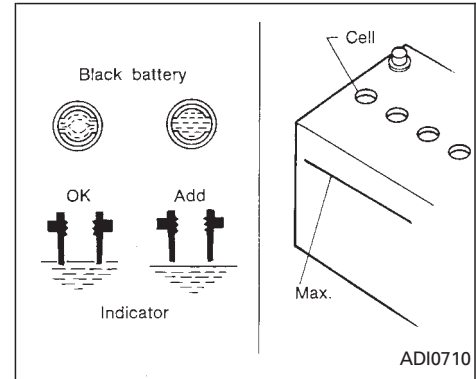
JUMP STARTING

If jump starting is necessary, see “Jump starting” in the “In case of emergency” section. If the engine does not start by jump starting, the battery may have to be replaced. Contact a NISSAN dealer.

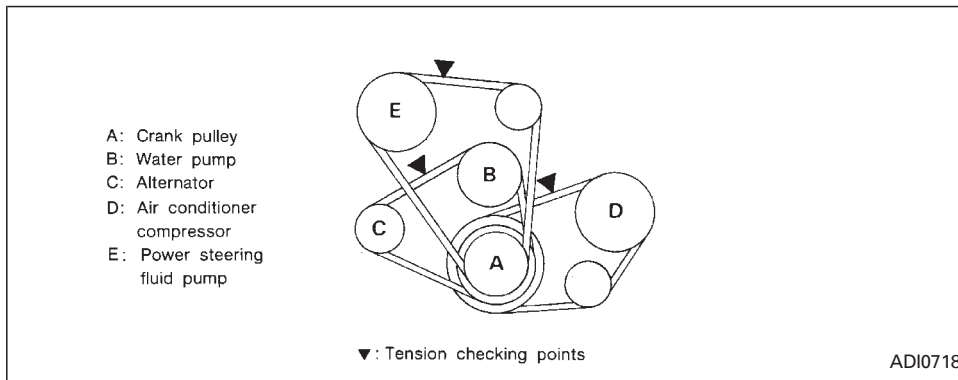


1. Gently pry between the battery cap and cover as illustrated to remove the cap.
Use a cloth to protect the battery case.
2. Check the fluid level in each cell.

If it is necessary to add fluid, add only distilled water to bring the level up to the level indicator in each filler opening. **Do not overfill.**



DRIVE BELTS

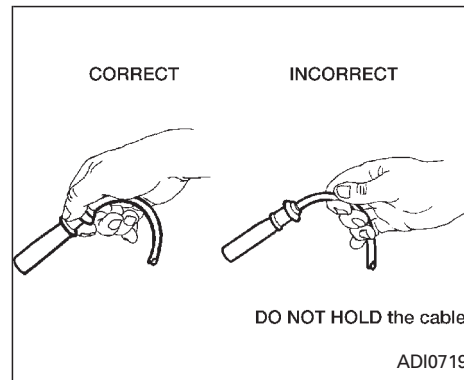


⚠ WARNING

Be sure the ignition key is OFF.

1. Visually inspect each belt for signs of unusual wear, cuts, fraying or looseness. If the belt is in poor condition or loose, have it replaced or adjusted by your NISSAN dealer.
2. Have the belts checked regularly for condition and tension in accordance with the maintenance schedule in this manual.

SPARK PLUG REPLACEMENT



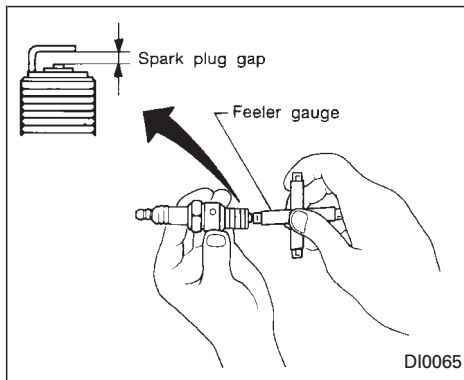
⚠ WARNING

Be sure the engine and ignition switch are off and that the parking brake is engaged securely.

⚠ CAUTION

Be sure to use the correct socket to remove the plugs. An incorrect socket can cause damage.

1. Disconnect spark plug cables. Keep track of the original cable locations.



When disconnecting, always hold the boots — not the cables. Mark all cables to identify their original location.

2. Remove spark plugs with a spark plug socket.
3. Check each new spark plug gap with a feeler gauge. Correct it as required.
4. Install spark plugs.

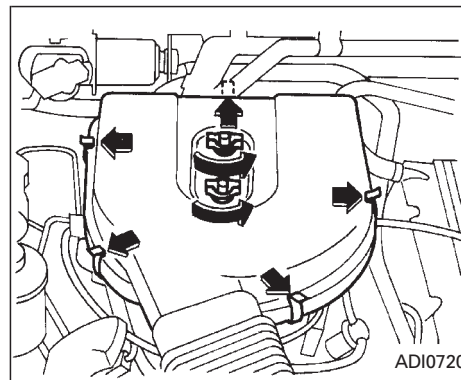
When installing a plug, turn it two or three turns by hand and then tighten with a spark plug socket. Be careful not to overtighten it.

Tightening torque:

14 to 22 ft-lb (20 to 29 N·m)

5. Reconnect the spark plug cables to their original positions.

AIR CLEANER HOUSING FILTER



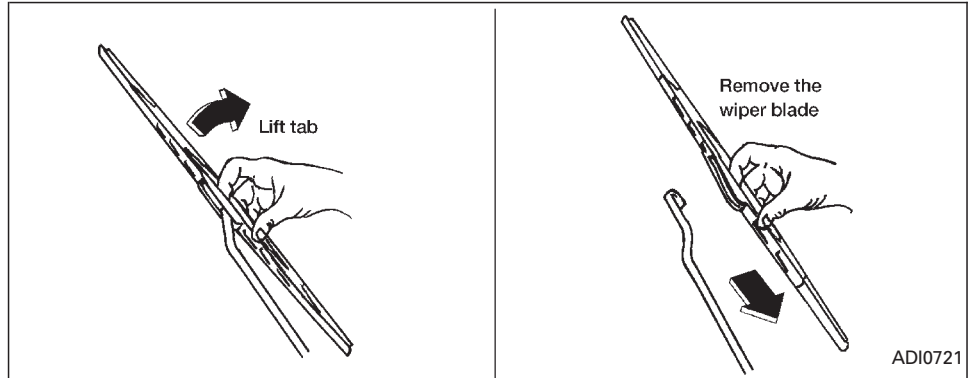
The filter element should not be cleaned and reused as it is given a special treatment. We recommend it be replaced according to the maintenance intervals shown in the “Maintenance schedule” section. When replacing the filter, wipe the inside of the air cleaner housing and the cover with a damp cloth.

⚠ WARNING

Operating the engine with the air cleaner off can cause you or others to be burned. The air cleaner not only cleans the air, it stops flame if the

WIPER BLADES

engine backfires. If it isn't there and the engine backfires, you could be burned. Don't drive with it off, and be careful working on the engine with the air cleaner off.



CLEANING

If your windshield is not clear after using the windshield washer or if a wiper blade chatters when running, wax or another material may be on the blade or windshield.

Clean the outside of the windshield with a washer solution or a mild detergent. Your windshield is clean if beads do not form when rinsing with clear water.

Clean the blade by wiping it with a cloth soaked in a washer solution or a mild detergent. Then rinse the blade with clear water. If your windshield is still not clear after

cleaning the blades and using the wiper, replace the blades.

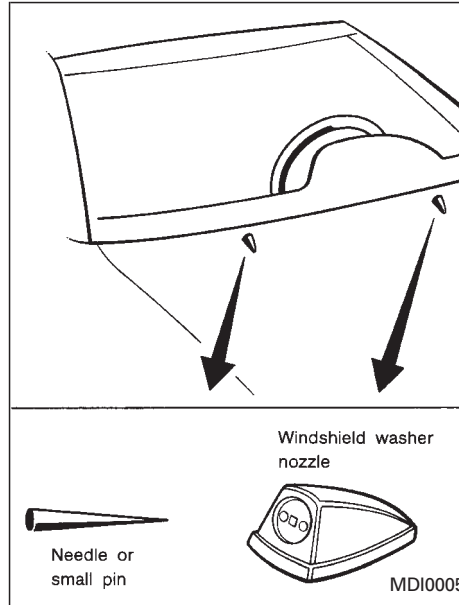
REPLACEMENT

1. Pull the wiper arm.
2. Lift the tab, then remove the wiper blade.
3. Attach the new wiper blade to the wiper arm until a click sounds.

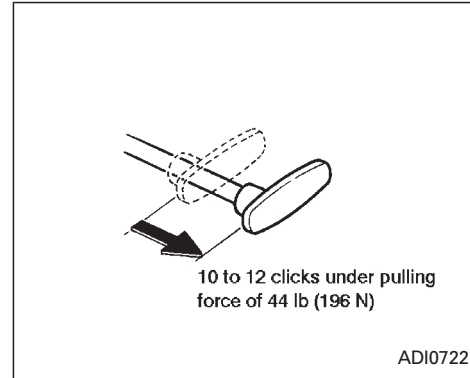
PARKING BRAKE CHECK

⚠ CAUTION

- After wiper blade replacement, return the wiper arm to its original position. Otherwise it may be damaged when the engine hood is opened.
- Make sure the wiper blade contacts the glass. Otherwise, the arm may be damaged from wind pressure.

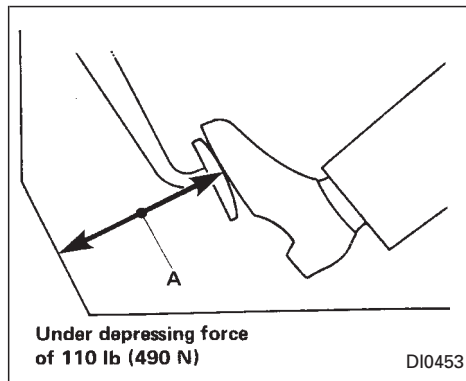


If you wax the surface of the hood, be careful not to let wax get into the washer nozzle. This may cause clogging or improper windshield washer operation. If wax gets into the nozzle, remove it with a needle or small pin.



Pull the parking brake lever up. If the number of clicks is out of the range listed above, see your NISSAN dealer.

BRAKE PEDAL



With the engine running, check distance A between the upper surface of the pedal and the metal floor.

Distance A:

4-3/4 in (120 mm) or more

If it is out of the range shown above, see your NISSAN dealer.

Self-adjusting brakes

Your vehicle is equipped with self-adjusting brakes.

The front disc-type brakes self-adjust every time the brake pedal is applied. The rear drum-type brakes on two-wheel drive trucks self-adjust every time the parking brake is applied. The rear drum-type brakes on four-wheel drive trucks self-adjust every time the brake pedal is applied. If the brake pedal goes down farther than normal, it may be due to a lack of adjustment of the rear drum brakes. Apply the parking brake several times.

WARNING

See your NISSAN dealer and have it checked if the brake pedal height does not return to normal.

Brake pad wear indicators

The disc brake pads on your vehicle have audible wear indicators. When a brake pad requires replacement, it will make a high pitched scraping or screeching sound when the vehicle is in motion whether or not the brake pedal is depressed. Have the brakes

checked as soon as possible if the wear indicator sound is heard.

Under some driving or climate conditions, occasional brake squeak, squeal or other noise may be heard. Occasional brake noise during light to moderate stops is normal and does not affect the function or performance of the brake system.

The rear drum brakes (if so equipped) do not have audible wear indicators. Should you ever hear an unusually loud noise from the rear drum brakes, have them inspected as soon as possible by your NISSAN dealer.

Proper brake inspection intervals should be followed. For more information regarding brake inspections, see the appropriate maintenance schedule information in the "Maintenance Schedule" section of this manual.

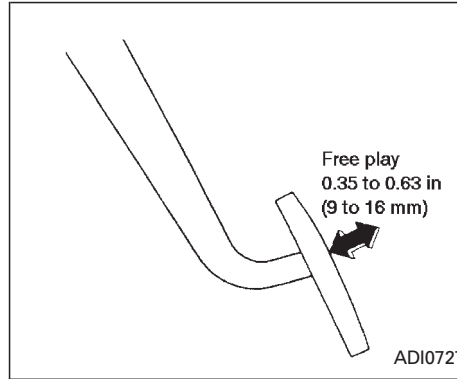
BRAKE BOOSTER

Check the brake booster function with the following steps:

1. With the engine off, press and release the brake pedal several times. When brake pedal movement (distance of travel) remains the same from one pedal application to the next, continue on to next step.
2. While depressing the brake pedal, start the engine. The pedal height should drop a little.
3. With the brake pedal depressed, stop the engine. Keeping the pedal depressed for about 30 seconds, the pedal height should not change.
4. Run the engine for one minute without depressing the brake pedal, then turn it off. Depress the brake pedal several times. The pedal travel distance will decrease gradually with each depression as the vacuum is released from the booster.

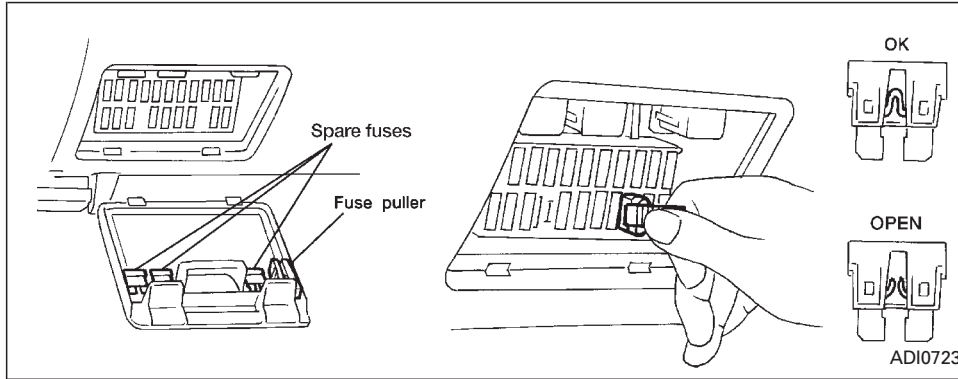
If the brakes do not operate properly, have the brake checked by your NISSAN dealer.

CLUTCH PEDAL



Press the pedal by hand and be sure the free travel is within the above limit. If free travel is out of the range shown above, see your NISSAN dealer.

FUSES



Passenger compartment

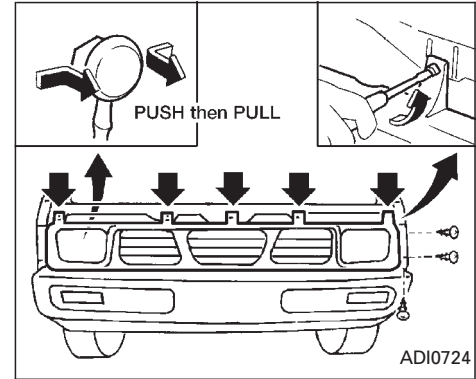
If the electrical equipment does not operate, check for an open fuse.

1. Be sure the ignition key and the headlight switch are OFF.
2. Remove the fuse box cover.
3. Remove the fuse with the fuse puller.
4. If the fuse is open, replace it with a new fuse.

Never use a fuse of higher amperage rating than that specified on the fuse box cover.

5. If a new fuse opens again, have the electrical system checked and repaired by your NISSAN dealer.

LIGHT BULBS



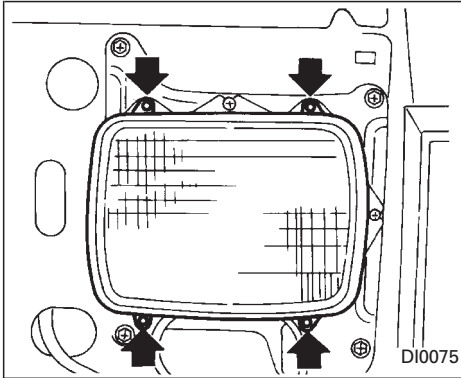
HEADLIGHTS

Sealed beam type

The headlight is a sealed beam type. The lens, reflector and filament are of a unitized construction.

Removing and replacing

1. Disconnect the negative (-) battery cable.
2. Remove the clips attaching the radiator grille, remove the front clearance lights, then remove the grille by pulling it upward.



Halogen light
Wattage 65/35
Bulb No. H6059

Incandescent light
Wattage 65/55
Bulb No. 6052

- When aiming adjustment is necessary, contact your NISSAN dealer.

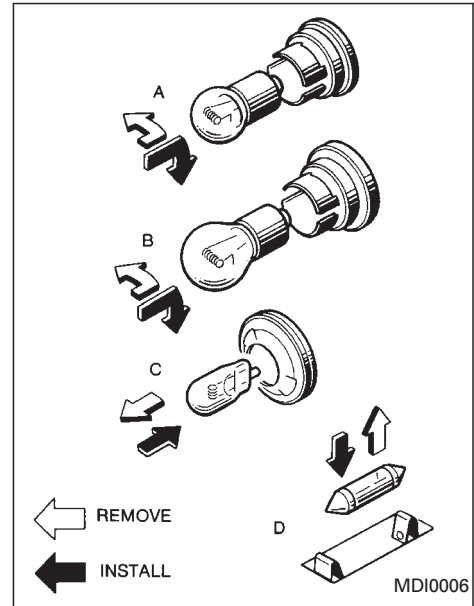
3. Remove the screws holding the headlight retaining ring and take off the headlight.
4. After removing the headlight from the headlight housing, remove the wiring connector from the rear end of the bulb.

Be careful not to disturb the aiming adjustment screws.

5. When installing the new unit, be sure that TOP in raised letters on the lens is on the upper side.
- Use the same number and wattage as originally installed:

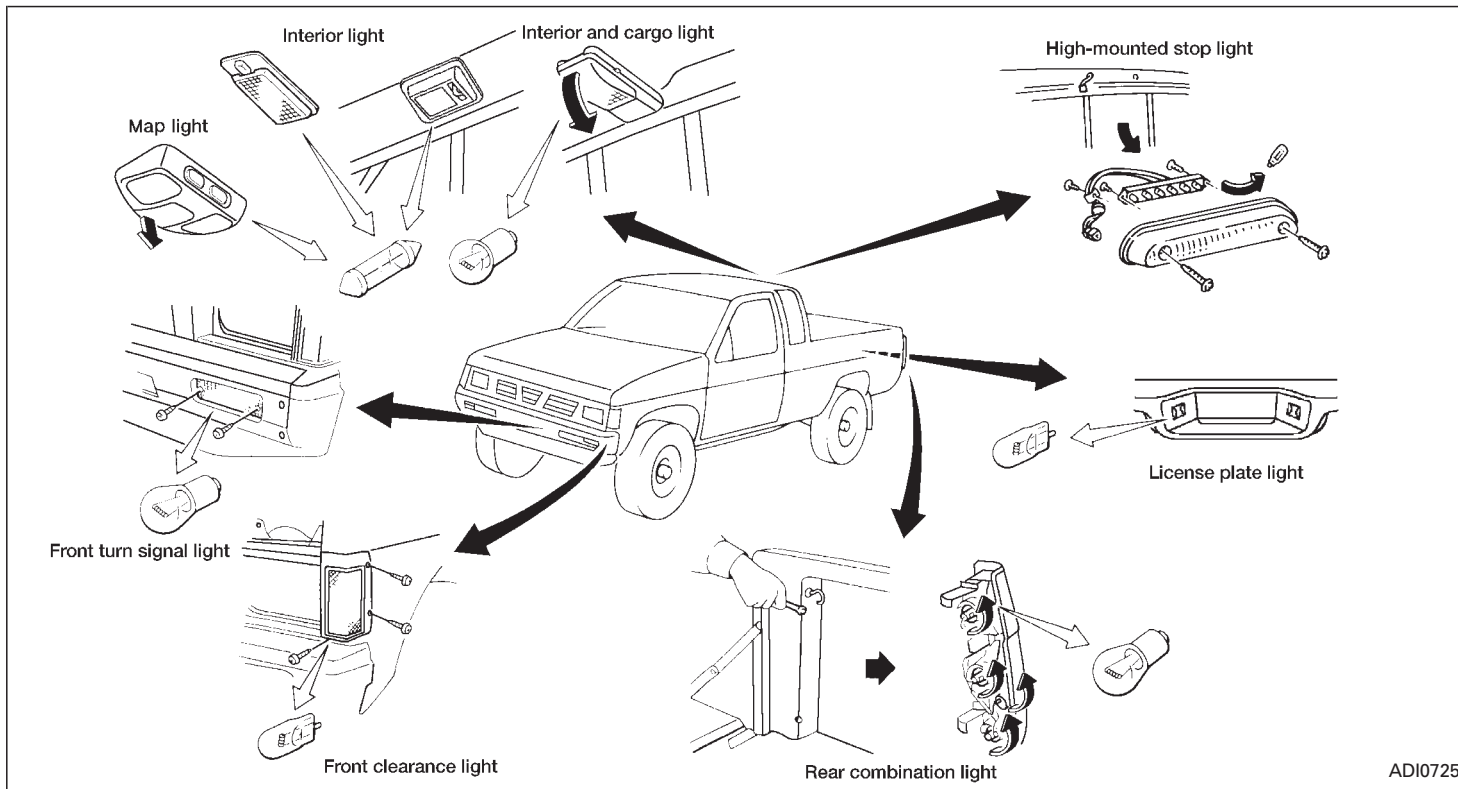
BULB REPLACEMENT

Item	Wattage (W)	Bulb No.
Front turn signal light	27	1156
Front clearance light	3.8	194
Rear combination light:		
Turn signal	27	1156
Stop/Tail	27/8	1157
Back-up	27	1156
Rear side marker light	3.4	158
License plate light	3.8	168
Interior light	10	—
Map light	8	—
High-mounted stop light	2.3	2723



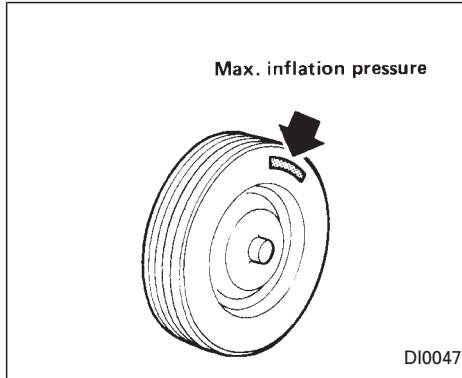
Replacing procedures

All other lights are either type A, B, C or D. When replacing a bulb, first remove the lens and/or cover.



ADI0725

WHEELS AND TIRES



If you have a flat tire, see the “In case of emergency” section.

Maximum inflation pressure

Do not exceed the maximum inflation pressures shown on the side wall of the tire.

Tire inflation pressure

Periodically check the tire pressure (including spare). Tire pressure should be checked when tires are COLD. COLD tire pressures are shown on the tire placard affixed to the glove box lid.

Incorrect tire pressure may adversely

affect tire life and vehicle handling.

COLD pressure:

After vehicle has been parked for three hours or more or driven less than 1 mile (1.6 km).

⚠ CAUTION

- The vehicle weight capacity is indicated on the tire placard. Do not load your vehicle beyond this capacity. Overloading your vehicle may result in reduced tire life, unsafe operating conditions due to premature tire failure, or unfavorable handling characteristics and could also lead to a serious accident. Loading beyond the specified capacity may also result in failure of other vehicle components.
- Before taking a long trip, or whenever you have loaded your vehicle heavily, use a tire pressure gauge to ensure that the tire pressure is at the specified level.
- Do not drive your vehicle over 85 MPH (140 Km/h) unless it is equipped with high capability tires.

Driving faster than 85 MPH (140 Km/h) may result in tire failure, loss of control and possible injury.

Types of tires

⚠ CAUTION

When changing or replacing tires, be sure all four tires are of the same type (i.e., Summer, All Season or Snow) and construction. Your NISSAN dealer may be able to help you with information about tire type, size, speed rating and availability. Replacement tires may have a lower speed rating than the factory equipped tires, and may not match the potential maximum vehicle speed. Never exceed the maximum speed rating of the tire.

All season tires

NISSAN specifies All Season tires on some models to provide good performance for use all year around, including snowy and icy road conditions. All Season Tires are identified by “ALL SEASON” and/or “M&S” on the tire sidewall. Snow tires have better

snow traction than All Season tires and may be more appropriate in some areas.

Summer tires

NISSAN specifies summer tires on some models to provide superior performance on dry roads. Summer tire performance in snow and ice will be substantially reduced. Summer tires do not have the tire traction rating “M&S” on the tire sidewall.

If you plan to operate your vehicle in snowy or icy conditions, NISSAN recommends the use of “SNOW” or “ALL SEASON” tires on all four wheels.

Snow tires

If snow tires are needed, it is necessary to select tires equivalent in size and load rating to the original equipment tires. If you do not, it can adversely affect the safety and handling of your vehicle.

Generally, snow tires will have lower speed ratings than factory equipped tires and may not match the potential maximum vehicle speed. Never exceed the maximum speed rating of the tire.

For additional traction on icy roads, studded tires may be used. However, some prov-

inces and states prohibit their use. Check local, state and provincial laws before installing studded tires. Skid and traction capabilities of studded snow tires on wet or dry surfaces may be poorer than that of non-studded snow tires.

4-wheel drive model

If you install snow tires, they must be the same size, brand, construction and tread pattern on all four wheels.

CAUTION

ONLY use spare tires specified for each 4-wheel drive model.

Tire chains

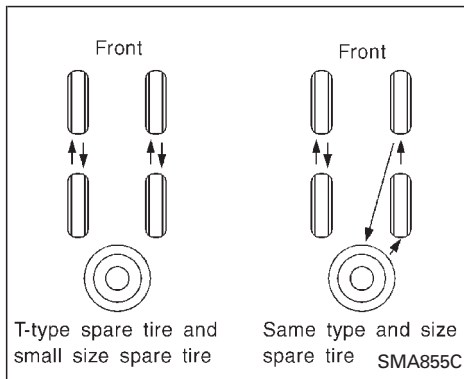
Use of tire chains may be prohibited according to location. Check the local laws before installing tire chains. When installing tire chains, make sure they are the proper size for the tires on your vehicle and are installed according to the chain manufacturer's suggestions. **Use only SAE class “S” chains.** Other types may damage your vehicle. Use chain tensioners when recommended by the tire chain manufacturer to ensure a tight fit. Loose end links of the tire chain must be

secured or removed to prevent the possibility of whipping action damage to the fenders or undercarriage. If possible, avoid fully loading your vehicle when using tire chains. In addition, drive at a reduced speed. Otherwise, your vehicle may be damaged and/or vehicle handling and performance may be adversely affected.

Never install tire chains on a TEMPORARY USE ONLY spare tire.

Tire chains must be installed only on the rear wheels and not on the front wheels.

Do not use tire chains on dry roads. Driving with chains in such conditions can cause damage to the various mechanisms of the vehicle due to some overstress. When driving on clear paved roads, be sure to change to 2WD.



Tire rotation

NISSAN recommends rotating the tires every 7,500 miles (12,000 km) for 2WD vehicles and every 3,750 miles (6,000 km) for 4WD vehicles.

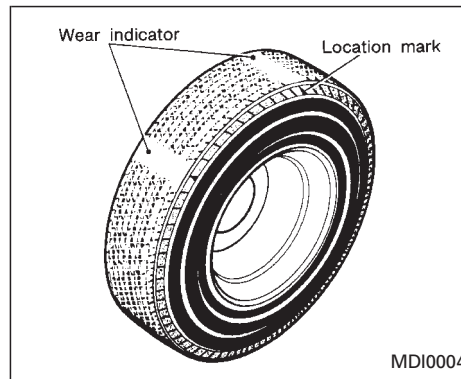
See "Flat tire" in the "In case of emergency" section for tire replacing procedures.

Wheel nut tightening torque:

87 to 108 ft-lb (118 to 147 N·m)

⚠ CAUTION

- After rotating the tires, adjust the tire pressure.
- Retighten the wheel nuts after the wheels have been run for the first 600 miles (1,000 km) (also in cases of a flat tire, etc.).
- Do not include the **TEMPORARY USE ONLY** spare tire in the tire rotation.



Tire wear and damage

⚠ CAUTION

- Tires should be periodically inspected for wear, cracking, bulging or objects caught in the tread. If excessive wear, cracks, bulging or deep cuts are found, the tire should be replaced.
- The original tires have a built-in tread wear indicator. When the wear indicator is visible, the tire should be replaced.

- **Improper service for a TEMPORARY USE ONLY spare tire may result in serious personal injury. If it is necessary to repair the TEMPORARY USE ONLY spare tire, contact your NISSAN dealer.**

Changing tires and wheels

When replacing a tire, use the same size, speed rating and load carrying capacity as originally equipped. Recommended types and sizes are shown in “Wheel/tire size” in the “Technical and consumer information” section. The use of tires other than those recommended or the mixed use of tires of different brands, construction (bias, bias-belted or radial), or tread patterns can adversely affect the ride, braking, handling, ground clearance, body-to-tire clearance, snow chain clearance, speedometer calibration, headlight aim and bumper height. **Some of these effects may lead to accidents and could result in serious personal injury.**

If the wheels are changed for any reason, always replace with wheels which have the same offset dimension. Wheels of a differ-

ent offset could cause early tire wear, poor vehicle handling characteristics and/or interference with the brake discs/drums. Such interference can lead to decreased braking efficiency and/or early brake pad/shoe wear.

CAUTION

Do not install a deformed wheel or tire even if it has been repaired. Such wheels or tires could have structural damage and could fail without warning.

4-WHEEL DRIVE MODELS

CAUTION

Always use tires of the same size, brand, construction (bias, bias-belted or radial), and tread pattern on all four wheels. Failure to do so may result in a circumference difference between tires on the front and rear axles which will cause excessive tire wear and may damage the transmission, transfer case and differential gears.

If excessive tire wear is found, it is recom-

mended that all four tires be replaced with tires of the same size, brand, construction and tread pattern. The tire pressure and wheel alignment should also be checked and corrected as necessary. Contact your NISSAN dealer.

CAUTION

ONLY use spare tires specified for each 4-wheel drive model.

Wheel balance

Unbalanced wheels may affect vehicle handling and tire life. Even with regular use, wheels can get out of balance. Therefore, they should be balanced as required.

Wheel balance service should be performed with the wheels off the vehicle. Spin balancing the front wheels on the vehicle could lead to transmission damage.

Care of wheels

- Wash the wheels when washing the vehicle to maintain their appearance.
- Clean the inner side of the wheels when the wheel is changed or the underside of the vehicle is washed.

- Do not use abrasive cleaners when washing the wheels.
- Inspect wheel rims regularly for dents or corrosion. This may cause loss of pressure or damage the tire bead.
- NISSAN recommends waxing the road wheels to protect against road salt in areas where it is used during winter.


Spare tire

Your vehicle is equipped with a TEMPORARY USE ONLY spare tire.

To avoid property damage or personal injury when using the TEMPORARY USE ONLY spare tire, observe the following cautions:

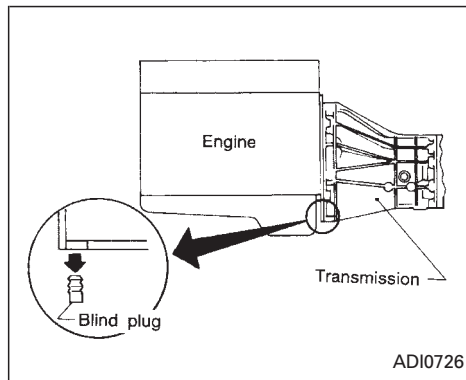
CAUTION

- The spare tire should be used for emergency use only. It should be replaced by the standard tire at the first opportunity to avoid possible tire or differential damage.

- Periodically check spare tire inflation pressure. Always keep the pressure of the T135/70D16 spare tire at 60 psi (420 kPa, 4.2 bar). Always keep the pressure of the P215/75R15 spare tire at 26 psi (180 kPa, 1.8 bar).
- Do not drive the vehicle at speeds faster than 50 MPH (80 km/h).
-  The transfer control lever must be in the 2H position to prevent the transfer case and differential gears from being damaged.
- Do not use tire chains on a TEMPORARY USE ONLY spare tire. Tire chains will not fit properly on a TEMPORARY USE ONLY spare tire and may cause damage to the vehicle.
- When driving on roads covered with snow or ice, the TEMPORARY USE ONLY spare tire should be used on the front wheels and the original tire used on the rear wheels (drive wheels). Use tire chains only on the two rear original tires.

- Tire tread of the TEMPORARY USE ONLY spare tire will wear at a faster rate than the standard tire. Replace the TEMPORARY USE ONLY spare tire as soon as the tread wear indicators appear.
- Because the TEMPORARY USE ONLY spare tire is smaller than the original tire, ground clearance is reduced. To avoid damage to the vehicle, do not drive over obstacles. Also, do not drive the vehicle through an automatic car wash since it might get caught.
- Drive carefully while the TEMPORARY USE ONLY spare tire is installed. Avoid sharp turns and abrupt braking while driving.
- Do not use the TEMPORARY USE ONLY spare tire on other vehicles.
- Do not use more than one TEMPORARY USE ONLY spare tire at the same time.
- Do not tow a trailer when the TEMPORARY USE ONLY T135/70D16 spare is installed.

4x4 CLUTCH HOUSING



Checking water entry

Whenever you drive in deep water or mud, check water entry in the clutch housing by removing the blind plug at the bottom of the transmission case. After checking, be sure to reinstall the plug.

8 Maintenance schedule

General maintenance	8-2
Periodic maintenance schedules	8-5



GENERAL MAINTENANCE

Your new NISSAN has been designed to have minimum maintenance requirements with longer service intervals to save you both time and money. However, some day-to-day and regular maintenance is essential to maintain your NISSAN's good mechanical condition, as well as its emission and engine performance.

It is the owner's responsibility to make sure that the specified maintenance, as well as general maintenance, is performed.

As the vehicle owner, you are the only one who can ensure that your vehicle receives the proper maintenance care. You are a vital link in the maintenance chain.

General maintenance

General maintenance includes those items which should be checked during normal day-to-day operation of the vehicle. They are essential if your vehicle is to continue to operate properly. It is your responsibility to perform these procedures regularly as prescribed.

These checks or inspections can be done by yourself, a qualified technician or, if you prefer, your NISSAN dealer.

Periodic maintenance

The maintenance items listed in this section are required to be serviced at regular intervals.

However, under severe driving conditions, additional or more frequent maintenance will be required.

Where to go for service

If maintenance service is required or your vehicle appears to malfunction, have the systems checked and tuned by an authorized NISSAN dealer.

NISSAN technicians are well-trained specialists and are kept up to date with the latest service information through technical bulletins, service tips, and in-dealership training programs. They are completely qualified to work on NISSAN's vehicles **before** they work on your vehicle, rather than after they have worked on it.

You can be confident that your NISSAN dealer's service department performs the best job to meet the maintenance requirements on your vehicle — in a reliable and economic way.

During the normal day-to-day operation of the vehicle, general maintenance should be performed regularly as prescribed in this section. If you detect any unusual sounds, vibrations or smells, be sure to check for the cause or have your NISSAN dealer do it promptly. In addition, you should notify your NISSAN dealer if you think that repairs are required.

When performing any checks or maintenance work, closely observe the precautions in the "Do-it-yourself operations" section.

OUTSIDE THE VEHICLE

The maintenance items listed here should be performed from time to time, unless otherwise specified.

Additional information on the following items with "*" is found in the "Do-it-yourself operations" section.

Tires* Check the pressure with a gauge periodically when at a service station, including the spare, and adjust to the specified pressure if necessary. Check carefully for damage, cuts or excessive wear.

Wheel nuts* When checking the tires,

make sure no nuts are missing, and check for any loose nuts. Tighten if necessary.

Tire rotation* Tires should be rotated every 7,500 miles (12,000 km) for 2WD vehicles and 3,750 miles (6,000 km) for 4WD vehicles.

Wheel alignment and balance If the vehicle should pull to either side while driving on a straight and level road, or if you detect uneven or abnormal tire wear, there may be a need for wheel alignment.

If the steering wheel or seat vibrates at normal highway speeds, wheel balancing may be needed.

Windshield wiper blades* Check for cracks or wear if they do not wipe properly.

Doors and engine hood Check that all doors and the engine hood operate properly. Also ensure that all latches lock securely. Lubricate hinges, latches, rollers and links if necessary. Make sure that the secondary latch keeps the hood from opening when the primary latch is released.

When driving in areas using road salt or other corrosive materials, check lubrication frequently.

Lights* Make sure that the headlights, stop lights, tail lights, turn signal lights, and other lights are all operating properly and installed securely. Also check headlight aim.

INSIDE THE VEHICLE

The maintenance items listed here should be checked on a regular basis, such as when performing periodic maintenance, cleaning the vehicle, etc.

Additional information on the following items with “*” is found in the “Do-it-yourself operations” section.

Warning lights and chimes Make sure all warning lights and chimes are operating properly.

Windshield wiper and washer* Check that the wipers and washer operate properly and that the wipers do not streak.

Windshield defroster Check that the air comes out of the defroster outlets properly and in sufficient quantity when operating the heater or air conditioner.

Steering wheel Check for changes in the steering conditions, such as excessive free-play, hard steering or strange noises.

Seats Check seat position controls such as seat adjusters, seatback recliner, etc. to ensure they operate smoothly and all latches lock securely in every position. Check that the head restraints move up and down smoothly and the locks (if so equipped) hold securely in all latched positions.

Seat belts Check that all parts of the seat belt system (e.g., buckles, anchors, adjusters and retractors) operate properly and smoothly, and are installed securely. Check the belt webbing for cuts, fraying, wear or damage.

Accelerator pedal Check the pedal for smooth operation and make sure the pedal does not catch or require uneven effort. Keep the floor mats away from the pedal.

Clutch pedal* Make sure the pedal operates smoothly and check that it has the proper free travel.

Brakes Check that the brakes do not pull the vehicle to one side when applied.

Brake pedal and booster* Check the pedal for smooth operation and make sure it has the proper distance under it when depressed fully. Check the brake booster func-

tion. Be certain to keep floor mats away from the pedal.

Parking brake* Check that the lever has the proper travel and confirm that your vehicle is held securely on a fairly steep hill with only the parking brake applied.

Automatic transmission Park position mechanism Check that the lock release button on the selector lever operates properly and smoothly. On a fairly steep hill check that your vehicle is held securely with the selector lever in the P position without applying any brakes.

UNDER THE HOOD AND VEHICLE

The maintenance items listed here should be checked periodically (e.g., each time you check the engine oil or refuel).

Additional information on the following items with “*” is found in the “Do-it-yourself operations” section.

Windshield washer fluid* Check that there is adequate fluid in the tank.

Engine coolant level* Check the coolant level when the engine is cold.

Radiator and hoses Check the front of the radiator and clean off any dirt, insects, leaves, etc., that may have accumulated. Make sure the hoses have no cracks, deformation, rot or loose connections.

Brake and clutch fluid levels* Make sure that the brake and clutch fluid level is between the MAX and MIN lines on the reservoir.

Battery* Check the fluid level in each cell. It should be between the MAX and MIN lines.

Engine drive belts* Make sure no belt is frayed, worn, cracked or oily.

Engine oil level* Check the level after parking the vehicle on a level spot and turning off the engine.

Power steering fluid level* and lines Check the level when the fluid is cold and the engine is turned off. Check the lines for proper attachment, leaks, cracks, etc.

Automatic transmission fluid level* Check the level after putting the selector lever in P with the engine idling.

Exhaust system Make sure there are no loose supports, cracks or holes. If the sound of the exhaust seems unusual or there is a

smell of exhaust fumes, immediately locate the trouble and correct it. (See the carbon monoxide warning in the “Starting and driving” section.)

Underbody The underbody is frequently exposed to corrosive substances such as those used on icy roads or to control dust. It is very important to remove these substances, otherwise rust will form on the floor pan, frame, fuel lines and around the exhaust system. At the end of winter, the underbody should be thoroughly flushed with plain water, being careful to clean those areas where mud and dirt may accumulate. See the “Appearance and interior care” section for additional information.

Fluid leaks Check under the vehicle for fuel, oil, water or other fluid leaks after the vehicle has been parked for a while. Water dripping from the air conditioner after use is normal. If you should notice any leaks or if gasoline fumes are evident, check for the cause and have it corrected immediately.

PERIODIC MAINTENANCE SCHEDULES

To ensure smooth, trouble-free, safe and economical driving, NISSAN provides two different maintenance schedules that may be used, depending upon the conditions in which you usually drive. These schedules contain both distance and time intervals, up to 60,000 miles (96,000 km)/48 months. For most people, the odometer reading will indicate when service is needed. However, if you drive very little, your vehicle should be serviced at the regular time intervals shown in the schedule.

After 60,000 miles (96,000 km) or 48 months, continue periodic maintenance at the same mileage/time intervals.

SCHEDULE 1

Follow Periodic Maintenance Schedule 1 if your driving habits frequently include one or more of the following driving conditions:

- **Repeated short trips of less than 5 miles (8 km).**
- **Repeated short trips of less than 10 miles (16 km) with outside temperatures remaining below freezing.**
- **Operating in hot weather in stop-and-go “rush hour” traffic.**

- **Extensive idling and/or low speed driving for long distances, such as police, taxi or door-to-door delivery use.**
- **Driving in dusty conditions.**
- **Driving on rough, muddy, or salt spread roads.**
- **Towing a trailer, using a camper or a car-top carrier.**

SCHEDULE 2

Follow Periodic Maintenance Schedule 2 if none of the driving conditions shown in Schedule 1 apply to your driving habits.

Maintenance for off-road driving (4x4 only)

Whenever you drive off-road through sand, mud or water as deep as the wheel hub, more frequent maintenance may be required of the following items:

- ▲ Brake pads and discs
- ▲ Brake lining and drums
- ▲ Brake lines and hoses
- ▲ Wheel bearing grease and free-running hub grease
- ▲ Differential, transmission and transfer oil
- ▲ Steering linkage
- ▲ Propeller shafts and front drive shafts
- ▲ Air cleaner filter
- ▲ Clutch housing (Check for water entry. Refer to “4x4 Clutch housing” in the “Do-it-yourself operations” section.)

These items should be checked frequently to assure safe and proper operation of your vehicle.

SCHEDULE 1

Abbreviations: R = Replace I = Inspect. Correct or replace if necessary. []: At the mileage intervals only

MAINTENANCE OPERATION	MAINTENANCE INTERVAL																	
	Miles × 1,000 (km × 1,000)	3.75 (6)	7.5 (12)	11.25 (18)	15 (24)	18.75 (30)	22.5 (36)	26.25 (42)	30 (48)	33.75 (54)	37.5 (60)	41.25 (66)	45 (72)	48.75 (78)	52.5 (84)	56.25 (90)	60 (96)	
	Months	3	6	9	12	15	18	21	24	27	30	33	36	39	42	45	48	
Emission control system maintenance																		
Drive belts										I*							I*	
Air cleaner filter	See NOTE (1)									[R]							[R]	
Positive crankcase ventilation (PCV) filter	See NOTE (3)									[R]							[R]	
Pulsated secondary air filter	See NOTE (2)																	
Vapor lines										I*							I*	
Fuel lines										I*							I*	
Fuel filter	See NOTE (3)*																	
Engine coolant	See NOTE (4)																R*	
Engine oil		R	R	R	R	R	R	R	R	R	R	R	R	R	R	R	R	
Engine oil filter		R	R	R	R	R	R	R	R	R	R	R	R	R	R	R	R	
Spark plugs										[R]							[R]	

- NOTE:** (1) If operating mainly in dusty conditions, more frequent maintenance may be required.
 (2) If operating mainly in dusty conditions, replace every 30,000 miles (48,000 km).
 (3) If vehicle is operated under extremely adverse weather conditions or in areas where ambient temperatures are either extremely low or extremely high, the filters might become clogged. In such an event, replace them immediately.
 (4) After 60,000 miles (96,000 km) or 48 months, replace every 30,000 miles (48,000 km) or 24 months.
 (5) Maintenance items and intervals with “*” are recommended by NISSAN for reliable vehicle operation. The owner need not perform such maintenance in order to maintain the emission warranty or manufacturer recall liability. Other maintenance items and intervals are required.

SCHEDULE 1

Abbreviations: R = Replace I = Inspect. Correct or replace if necessary. []: At the mileage intervals only

MAINTENANCE OPERATION		MAINTENANCE INTERVAL																	
		Miles × 1,000	3.75	7.5	11.25	15	18.75	22.5	26.25	30	33.75	37.5	41.25	45	48.75	52.5	56.25	60	
Perform at number of miles, kilometers or months, whichever comes first.		(km × 1,000)	(6)	(12)	(18)	(24)	(30)	(36)	(42)	(48)	(54)	(60)	(66)	(72)	(78)	(84)	(90)	(96)	
		Months	3	6	9	12	15	18	21	24	27	30	33	36	39	42	45	48	
Chassis and body maintenance																			
Brake lines & cables						I					I			I					I
Brake pads, discs, drums & linings				I		I		I		I		I		I		I		I	
Manual & automatic transmission, transfer & differential gear oil (exc. LSD)	See NOTE (1)					I				I				I					I
Limited-slip differential (LSD) gear oil	See NOTE (1)					I				R				I					R
Steering gear (box) & linkage, axle & suspension parts				I		I		I		I		I		I		I		I	
Drive shaft boots & propeller shaft (Exc1)				I		I		I		I		I		I		I		I	
Steering linkage ball joints & front suspension ball joints				I		I		I		I		I		I		I		I	
Front wheel bearing grease (4x2)										I									I
Front wheel bearing grease & free-running hub grease (Exc1)	See NOTE (2)					I				R				I					R
Exhaust system				I		I		I		I		I		I		I		I	
Supplemental air bag system	See NOTE (3)																		

- NOTE: (1) If towing a trailer, using a camper or a car-top carrier, or driving on rough or muddy roads, change (not just inspect) oil at every 30,000 miles (48,000 km) or 24 months except for LSD Change LSD gear oil every 15,000 miles (24,000 km) or 12 months.**
(2) If operating frequently in water, replace grease every 3,750 miles (6,000 km) or 3 months.
(3) Inspect the supplemental air bag system 10 years after the date of manufacture noted on the F.M.V.S.S. certification label.

SCHEDULE 2

Abbreviations: R = Replace I = Inspect. Correct or replace if necessary.

[]: At the mileage intervals only

MAINTENANCE OPERATION	MAINTENANCE INTERVAL								
	Miles × 1,000 (km × 1,000)	7.5 (12)	15 (24)	22.5 (36)	30 (48)	37.5 (60)	45 (72)	52.5 (84)	60 (96)
Perform at number of miles, kilometers or months, whichever comes first.	Months	6	12	18	24	30	36	42	48
Emission control system maintenance									
Drive belts						I*			I*
Air cleaner filter						[R]			[R]
Positive crankcase ventilation (PCV) filter	See NOTE (1)					[R]			[R]
Vapor lines						I*			I*
Fuel lines						I*			I*
Fuel filter	See NOTE (1)*								
Engine coolant	See NOTE (2)								R*
Engine oil		R	R	R	R	R	R	R	R
Engine oil filter		R	R	R	R	R	R	R	R
Spark plugs						[R]			[R]

NOTE: (1) If vehicle is operated under extremely adverse weather conditions or in areas where ambient temperatures are either extremely low or extremely high, the filters might become clogged. In such an event, replace them immediately.

(2) After 60,000 miles (96,000 km) or 48 months, replace every 30,000 miles (48,000 km) or 24 months.

(3) Maintenance items and intervals with "*" are recommended by NISSAN for reliable vehicle operation. The owner need not perform such maintenance in order to maintain the emission warranty or manufacturer recall liability. Other maintenance items and intervals are required.

SCHEDULE 2

Abbreviations: R = Replace I = Inspect. Correct or replace if necessary.

[]: At the mileage intervals only

MAINTENANCE OPERATION

MAINTENANCE INTERVAL

	Miles × 1,000	7.5	15	22.5	30	37.5	45	52.5	60
Perform at number of miles, kilometers or months, whichever comes first.	(km × 1,000)	(12)	(24)	(36)	(48)	(60)	(72)	(84)	(96)
	Months	6	12	18	24	30	36	42	48
Chassis and body maintenance									
Brake lines & cables			I		I		I		I
Brake pads, discs, drums & linings			I		I		I		I
Manual & automatic transmission, transfer & differential gear oil (exc. LSD)			I		I		I		I
Limited-slip differential (LSD) gear oil			I		R		I		R
Steering gear (box) & linkage, axle & suspension parts					I				I
Drive shaft boots (CSA)			I		I		I		I
Steering linkage ball joints & front suspension ball joints									I
Front wheel bearing grease (4x2)					I				I
Front wheel bearing grease & free-running hub grease (CSA)			I		R		I		R
Exhaust system					I				I
Supplemental air bag system	See NOTE (1)								

NOTE: (1) Inspect the supplemental air bag system 10 years after the date of manufacture noted on the F.M.V.S.S. certification label.

EXPLANATION OF MAINTENANCE ITEMS

Additional information on the following items with “*” is found in the “Do-it-yourself operations” section.

Emission control system maintenance

Drive belts* Check drive belts for wear, fraying or cracking and also for proper tension. Replace the drive belts if found damaged or in accordance with the maintenance schedule.

Air cleaner filter Under normal driving conditions, the air cleaner filter should be replaced in accordance with the maintenance schedule. However, driving the vehicle in dusty areas may cause more rapid clogging of the element. Consequently, the element may have to be replaced more frequently.

Positive crankcase ventilation (PCV) filter Under normal driving conditions, the filter should be replaced in accordance with the maintenance schedule. If the vehicle is operated under extremely adverse weather conditions or in areas where ambient temperatures are either extremely low or ex-

tremely high, the filter may become clogged more rapidly. In such an event, replace the filter immediately.

Vapor lines Check vapor lines and connections for failure or looseness. If leaks are found, replace the lines.

Fuel lines (hoses, piping, connections, etc.) Check the fuel hoses, piping and connections for leaks, looseness or deterioration. Replace any parts if they are damaged.

Fuel filter If the vehicle is operated under extremely adverse weather conditions or in areas where ambient temperatures are either extremely low or extremely high, the filter might become clogged. In such an event, replace the filter immediately.

Engine coolant* Flush and refill the cooling system.

Engine oil & oil filter* Under normal driving conditions, the engine oil and oil filter should be replaced in accordance with the maintenance schedule. However, under severe driving conditions, they may have to be replaced more frequently.

Spark plugs* Replace with new plugs having the correct heat range.

Chassis and body maintenance

Brake lines & cables Check the brake lines and hoses (including brake booster vacuum hoses, connections & check valve) and parking brake cables for proper attachment, leaks, cracks, chafing, abrasion, deterioration, etc.

Brake pads, discs, drums & linings Check these and the other neighboring brake components for wear, deterioration and leaks. Under severe driving conditions, they may have to be inspected more frequently.

Manual and automatic transmission, transfer & differential gear oil Visually inspect for signs of leakage and replace oil for limited-slip differential. Under severe driving conditions, the oil should be replaced at the specified interval.

Steering gear (box) & linkage, axle & suspension parts & drive shaft boots Check for damage, looseness and leakage of oil or grease. Under severe driving conditions, more frequent inspection should be performed.

Steering linkage ball joints & front suspension ball joints Check the ball joints for

damage, looseness and grease leakage. Under severe driving conditions, more frequent inspection should be performed.

Propeller shaft(s) Check the propeller shaft(s) for damage, looseness and grease leakage under severe driving conditions (**4x2** only).

Front wheel bearing grease & free-running hub grease Check the wheel bearing for grease leakage around grease seals, axial end play and smooth turning. Repack these in accordance with the maintenance schedule (4x2).

Check the wheel bearing and free running hub for grease leakage around grease seals, axial end play and smooth turning. Repack these in accordance with the maintenance schedule. In case of frequent driving in muddy water, the bearing grease and free-running hub grease inspection should be performed more frequently (**4x2**).

Exhaust system Visually check the exhaust pipes, muffler, and hangers for proper attachment, leaks, cracks, chafing, abrasion, deterioration, etc. Under severe driving conditions, inspection should be performed more frequently.

Supplemental air bag system Check the supplemental air bag system components for proper attachment, damage, deformities, cracks, rust, etc. Work around and on the supplemental air bag system should be done by an authorized NISSAN dealer.

9 Technical and consumer information

Capacities and recommended fuel/lubricants	9-2
Engine	9-9
Wheel/tire size	9-10
Dimensions and weights	9-11
Registering your vehicle in another country	9-12
Vehicle identification	9-12
Trailer towing	9-16
Towing load/specification chart	9-18
Uniform tire quality grading	9-21
Emission control system warranty	9-22
Truck-camper loading	9-23
Reporting safety defects (USA)	9-25
NISSAN Service/Owner's Manual Order Form .	9-26



CAPACITIES AND RECOMMENDED FUEL/LUBRICANTS

The following are approximate capacities. The actual refill capacities may be a little different. When refilling, follow the procedure described in the “Do-it-yourself operations” section to determine the proper refill capacity.

	Capacity (Approximate)			Recommended Specifications		
	US measure	Imp measure	Liter			
Fuel	15-7/8 gal	13-1/4 gal	60	Unleaded gasoline with an octane rating of at least 87 AKI (RON 91)*1		
Engine oil (Refill)						
	4x2	With oil filter	4-1/8 qt	3-3/8 qt	3.9	API SG or SH and Energy Conserving II *2 API Certification Mark *2
		Without oil filter	3-3/4 qt	3-1/8 qt	3.5	
	4x4	With oil filter	4-3/8 qt	3-5/8 qt	4.1	
		Without oil filter	4 qt	3-3/8 qt	3.8	
Cooling system (with heater and reservoir tank)						
	4x2		8-5/8 qt	7-1/8 qt	8.1	Anti-freeze coolant (Ethylene glycol base)
	4x4		9-1/2 qt	7-7/8 qt	9.0	

*1: For further details, see “Fuel recommendation”.

*2: For further details, see “Recommended SAE engine oil viscosity”.

		Capacity (Approximate)			Recommended Specifications
		US measure	Imp measure	Liter	
Manual transmission gear oil	4x2	4-1/4 pt	8-1/2 pt	2.0	API GL-4*1
	4x4	8-1/2 pt	7 pt	4.0	
Manual steering gear oil		1-3/8 pt	1-1/8 pt	0.62	API GL-4*1
Final drive	4x2 M/T				<ul style="list-style-type: none"> ● Without LSD: API GL-5*1 ● With LSD: Only LSD gear oil. API GL-5 and SAE 80W-90*2 approved for NISSAN LSD*3
	Regular cab	3-1/8 pt	2-5/8 pt	1.5	
	King cab	2-3/4 pt.	2-1/4 pt.	1.3	
	4x2 A/T	3-1/8 pt.	2-5/8 pt.	1.5	
	4x4 Front	2-3/4 pt.	2-1/4 pt.	1.3	
	Rear	5-7/8 pt.	4-7/8 pt.	2.8	
Transfer fluid		—	—	—	Type DEXRON™
Automatic transmission fluid					Nissan Matic 'D' (Continental U.S. and Alaska) or Genuine Nissan Automatic Transmission Fluid (Canada). *4
Power steering fluid		Refill to the proper oil level according to the instructions in the "Do-it-yourself operations" section.			Type DEXRON IIE™, DEXRON III™, or equivalent
Brake and clutch fluid					Genuine Nissan Brake Fluid*5 or equivalent DOT 3 (US FMVSS No. 116)
Multi-purpose grease		—	—	—	NLGI No. 2 (Lithium Complex)
Air conditioning system refrigerant	lb (kg)	1.65 - 1.87 (0.75 - 0.85)			HFC-134a (R-134a)*6
Air conditioning system lubricant		6.8 oz	7.0 oz	200 ml	Nissan A/C System Oil Type R or equivalent*6

*1: For further details, see "Recommended SAE gear oil viscosity".

*2: SAE 90 is acceptable in temperatures above 0°F (-18°C).

*3: Contact your NISSAN dealer for a list of approved oils.

*4: Dexron® III/Mercon® or equivalent may also be used. Outside the Continental United States and Alaska contact a Nissan dealership for more information regarding suitable fluids, including recommended brand(s) of Dexron® III/Mercon® or Dexron® IIE/Mercon® Automatic Transmission Fluid.

*5: Available in mainland U.S.A. through your NISSAN dealer.

*6: For further details, see "Air conditioner specification label".

FUEL RECOMMENDATION

All models are designed to operate on unleaded gasoline with an octane rating of at least 87 AKI (Anti-Knock Index) number (Research octane number 91).

CAUTION

- Using a fuel other than that specified could adversely affect the emission control devices and systems, and could also affect the warranty coverage.
- Under no circumstances should a leaded gasoline be used, since this will damage the three-way catalyst.

Reformulated Gasoline

Some fuel suppliers are now producing reformulated gasolines. These gasolines are specially designed to reduce vehicle emissions. NISSAN supports efforts towards cleaner air and suggest that you use reformulated gasoline when available.

Gasoline containing oxygenates

Some fuel suppliers sell gasoline containing oxygenates such as ethanol, MTBE and

methanol with or without advertising their presence. Nissan does not recommend the use of fuels of which the oxygenate content and the fuel compatibility for your NISSAN cannot be readily determined. If in doubt, ask your service station manager.

If you use oxygenate-blend gasoline, please take the following precautions as the usage of such fuels may cause vehicle performance problems and/or fuel system damage.

- The fuel should be unleaded and have an octane rating no lower than that recommended for unleaded gasoline.
- If an oxygenate-blend, excepting a methanol blend, is used, it should contain no more than 10% oxygenate. (MTBE may, however, be added up to 15%.)
- If a methanol blend is used, it should contain no more than 5% methanol (methyl alcohol, wood alcohol). It should also contain a suitable amount of appropriate cosolvents and corrosion inhibitors. If not properly formulated with appropriate cosolvents and corrosion inhibitors, such methanol

blends may cause fuel system damage and/or vehicle performance problems. At this time, sufficient data is not available to ensure that all methanol blends are suitable for use in NISSAN vehicles.

If any driveability problems such as engine stalling and hard hot starting are experienced after using oxygenate-blend fuels, immediately change to a non-oxygenate fuel or a fuel with a low blend of MTBE.

Take care not to spill gasoline during refueling. Gasoline containing oxygenates can cause paint damage.

After Market Fuel Additives

NISSAN does not recommend the use of any fuel additives (i.e., fuel injector cleaner, octane booster, intake valve deposit removers, etc.) which are sold commercially. Many of these additives intended for gum, varnish or deposit removal may contain active solvents or similar ingredients that can be harmful to the fuel system and engine.

Octane rating tips

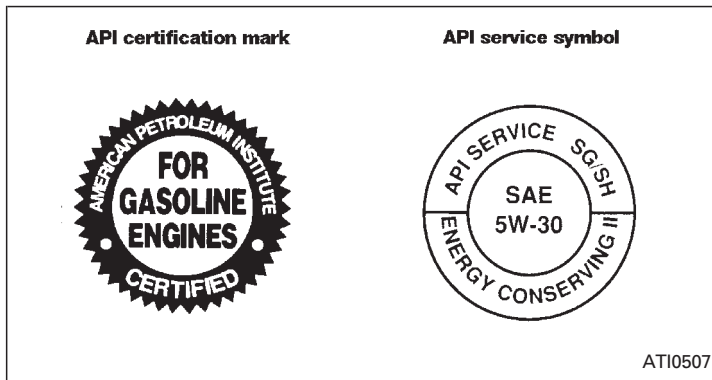
In most parts of North America, you should use unleaded gasoline with an octane rating of at least 87 AKI (Anti-Knock Index). However, you may use unleaded gasoline with an octane rating as low as 85 AKI in high altitude areas (over 4,000 ft [1,219 m]) such as: Colorado, Montana, New Mexico, Utah, Wyoming, northeastern Nevada, southern Idaho, western South Dakota, western Nebraska, and that part of Texas which is directly south of New Mexico.

Using unleaded gasoline with an octane rating lower than stated above can cause persistent, heavy “spark knock”. (“Spark knock” is a metallic rapping noise.) If severe, this can lead to engine damage. If you detect a persistent heavy spark knock even when using gasoline of the stated octane rating, or if you hear steady spark knock while holding a steady speed on level roads, have your dealer correct the condition. Failure to correct the condition is misuse of the vehicle, for which NISSAN is not responsible.

Incorrect ignition timing results in knocking, after-run and/or overheating. This in turn may cause excessive fuel consumption or

damage to the engine. If any of the above symptoms are encountered, have your vehicle checked at a NISSAN dealer or other competent service facility.

However, now and then you may notice light spark knock for a short time while accelerating or driving up hills. This is no cause for concern, because you get the greatest fuel benefit when there is light spark knock for a short time under heavy engine load.



ENGINE OIL AND OIL FILTER RECOMMENDATION

Selecting the correct oil

It is essential to choose the correct quality and viscosity oil to ensure satisfactory engine life and performance. Nissan recommends the use of a low friction oil (energy conserving oil) in order to improve fuel economy and conserve energy. Oils which do not have the specified quality label should not be used as they could cause engine damage.

Only those engine oils with the American Petroleum Institute (API) CERTIFICATION MARK on the front of the container should be used. This type of oil supersedes the existing API SG or SH and Energy Conserving II categories.

If you cannot find engine oil with the CERTIFICATION MARK, an API SG or SH and Energy Conserving II oil with API Service Symbol may be used. An oil with a single designation SG or SH, or in combination with other categories (for example, SG/CC or SG/CD) may also be used if one with the API CERTIFICATION MARK cannot be found.

Mineral based or synthetic type oils may be used in your NISSAN vehicle. These oils must however, meet the API quality and SAE viscosity ratings specified for your vehicle. Do not mix mineral based and synthetic type oils in the engine at the same time.

Oil additives

NISSAN does not recommend the use of oil additives. The use of an oil additive is not necessary when the proper oil type is used and maintenance intervals are followed.

Oil which may contain foreign matter or has been previously used should not be used.

Oil viscosity

The engine oil viscosity or thickness changes with temperature. Because of this, it is important that the engine oil viscosity be selected based on the temperatures at which the vehicle will be operated before the next oil change. The chart "Recommended SAE viscosity number" shows the recommended oil viscosities for the expected ambient temperatures. Choosing an oil viscosity other than that recommended could cause serious engine damage.

Selecting the correct oil filter

Your new vehicle is equipped with a high-quality genuine NISSAN oil filter. When replacing, use the genuine oil filter or its equivalent for the reason described in “Change intervals”.

Change intervals

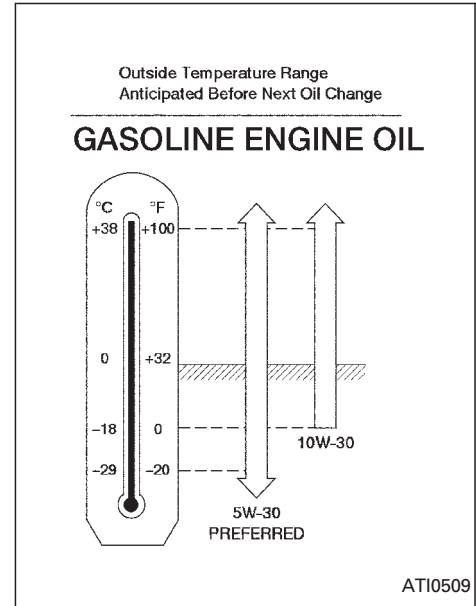
The oil and oil filter change intervals for your engine are based on the use of the specified quality oils and filters. Oil and filter other than the specified quality, or oil and filter change intervals longer than recommended could reduce engine life. Damage to engines caused by improper maintenance or use of incorrect oil and filter quality and/or viscosity is not covered by the new NISSAN vehicle warranties.

Your engine was filled with a high quality engine oil when it was built. You do not have to change the oil before the first recommended change interval. Oil and filter change intervals depend upon how you use your vehicle. Operation under the following conditions may require more frequent oil and filter changes:

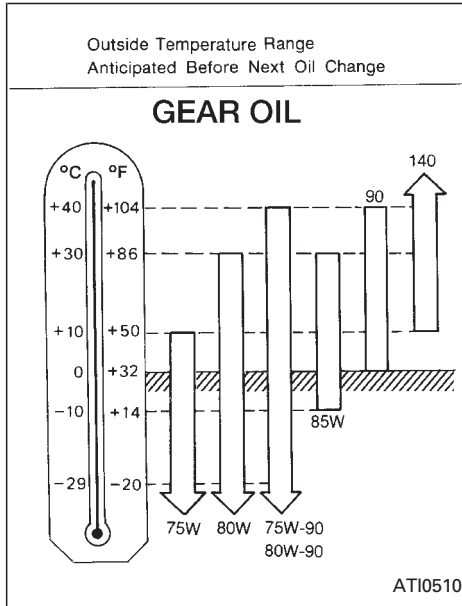
- repeated short distance driving at cold outside temperatures,

- driving in dusty conditions,
- extensive idling,
- towing a trailer.

RECOMMENDED SAE VISCOSITY NUMBER



- SAE 5W-30 viscosity oil is preferred for all temperatures. SAE 10W-30 viscosity oil may be used if the ambient temperature is above 0°F (-18°C).



- **80W-90 is preferable for ambient temperatures below 104°F (40°C).**

AIR CONDITIONING SYSTEM REFRIGERANT AND LUBRICANT RECOMMENDATIONS

The air conditioning system in this NISSAN vehicle must be charged with the refrigerant HFC-134a (R-134a) and the lubricant, NISSAN A/C system lubricant Type R or the exact equivalents.

CAUTION

Use of any other refrigerant or lubricant will cause severe damage and you will need to replace your vehicle's entire air conditioning system.

The refrigerant HFC-134a (R-134a) in your NISSAN vehicle does not harm the earth's ozone layer. Although this refrigerant does not affect the earth's atmosphere, certain government regulations require the recovery and recycling of any refrigerant during automotive air conditioning system service. Your NISSAN dealer has the trained technicians and equipment needed to recover and recycle your air conditioning system refrigerant.

Contact your NISSAN dealer when servicing your air conditioning system.

ENGINE

Model		KA24E
Type		Gasoline, 4-cycle
Cylinder arrangement		4-cylinder in-line
Bore × Stroke	in (mm)	3.504 × 3.780 (89.0 × 96.0)
Displacement	cu in (cm ³)	145.78 (2,389)
Firing order		1-3-4-2
Idle speed	rpm	
Ignition timing (BTDC)	degree/rpm	See the "Emission Control Label" on the underside of the hood.
CO percentage at idle speed	[No air] %	
Spark plug		ZFR4E-11 (Hot) ZFR5E-11 (Standard) ZFR6E-11 (Cold)
Spark plug gap	in (mm)	0.039 to 0.043 (1.0 to 1.1)
Camshaft operation		Timing chain
Alternator belt size		
Width × Length	in (mm)	0.429 × 36.81 (10.9 × 935)

The spark ignition system of this vehicle meets all requirements of the Canadian Interference - Causing Equipment Regulations.

WHEEL/TIRE SIZE

		Grade	Road wheel/offset in (mm)	Tire	Spare tire size
4x2	Regular cab:	STD	14x5J/1.57 (40) Silver, painted steel	P195/75R14	T135/70D16
		XE	14x5J/1.57 (40) Silver, painted steel	P195/75R14	T135/70D16
			14x5J/1.57 (40) Silver, w/full wheel cover 14x6JJ/1.18 (30) Alloy	P215/70R14	T135/70D16
	King cab:	XE	14x5J/1.57 (40) Silver, painted steel	P195/75R14	T135/70D16
			14x5J/1.57 (40) Silver, w/full wheel cover 14x6JJ/1.18 (30) Alloy	P215/70R14	T135/70D16
		SE	14x6JJ/1.18 (30) Alloy	P215/70R14	T135/70D16
4x4	Regular cab:	XE	15x6JJ/1.18 (25) Titanium finish	P235/75R15	P215/75R15
			15x7JJ/0.98 (25) Alloy		
	King cab:	XE	15x6JJ/1.18 (25) Titanium finish	P235/75R15	P215/75R15
			15x7JJ/0.98 (25) Alloy		
		SE	15x7JJ/0.98 (25) Alloy	P235/75R15	P215/75R15

DIMENSIONS AND WEIGHTS

Unit: in (mm)

	4x2		4x4	
	Regular Cab	King Cab	Regular Cab	King Cab
Overall length*1	174.6 (4,435)	190.0 (4,825)	174.6 (4,435)	190.0 (4,825)
Overall width	65.0 (1,650)	65.0 (1,650)	66.5 (1,690)	66.5 (1,690)
Overall height	62.0 (1,575)	62.0 (1,575)	67.1 (1,705)	67.1 (1,705)
Front tread	54.9 (1,395)	54.9 (1,395)	58.5 (1,486)	58.5 (1,486)
Rear tread	54.5 (1,385)	54.5 (1,385)	57.9 (1,471)	57.9 (1,471)
Wheelbase	104.3 (2,650)	116.1 (2,950)	104.3 (2,650)	116.1 (2,950)
Gross vehicle weight rating lb (kg)				
Gross axle weight rating	See the "F.M.V.S.S. certification label" on the driver side lock pillar.			
Front	lb (kg)			
Rear	lb (kg)			

*1: On step bumper equipped models, the bumper adds 5.5 in (140 mm) to the overall length.

REGISTERING YOUR VEHICLE IN ANOTHER COUNTRY

When planning to drive your NISSAN vehicle in another country, you should first find out if the fuel available is suitable for your vehicle's engine.

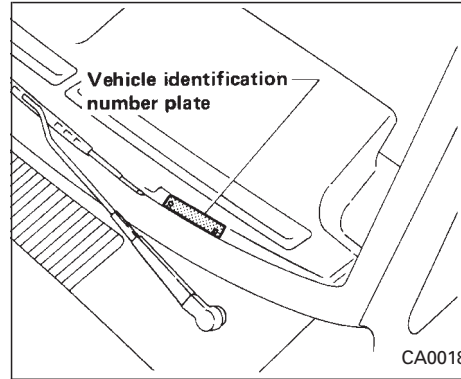
Using fuel with too low an octane rating may cause engine damage. All gasoline vehicles can be operated with unleaded gasoline. Therefore, avoid driving your vehicle in areas where appropriate fuel is not available.

When transferring the registration of your vehicle to another country, state, province or district, it may be necessary to modify the vehicle to meet local laws and regulations.

The laws and regulations for motor vehicle emission control and safety standards vary according to the country, state, province or district; therefore, vehicle specifications may differ.

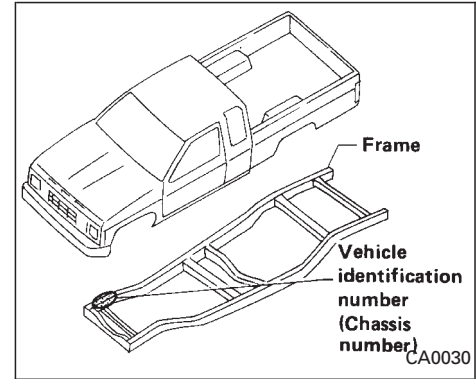
When any vehicle is to be taken into another country, state, province or district and registered, its modifications, transportation and registration are the responsibility of the user. NISSAN is not responsible for any inconvenience that may result.

VEHICLE IDENTIFICATION

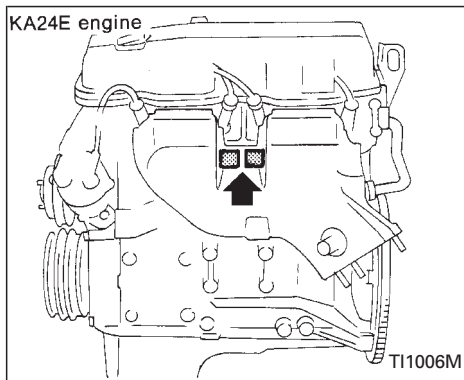


VEHICLE IDENTIFICATION NUMBER PLATE

The vehicle identification number plate is attached to the top of the instrument panel on the driver's side. This number is the identification for your vehicle and is used in the vehicle registration.

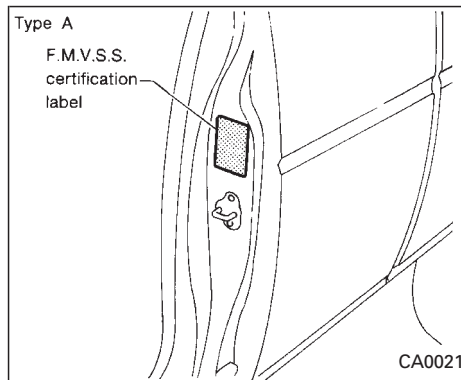


VEHICLE IDENTIFICATION NUMBER (Chassis number)



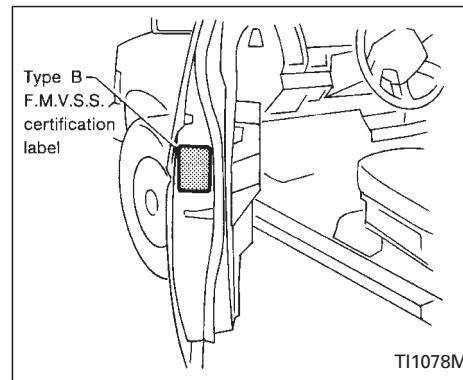
ENGINE SERIAL NUMBER

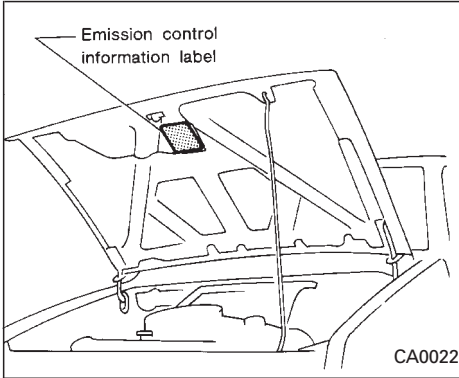
The number is stamped on the engine as shown.



F.M.V.S.S. CERTIFICATION LABEL

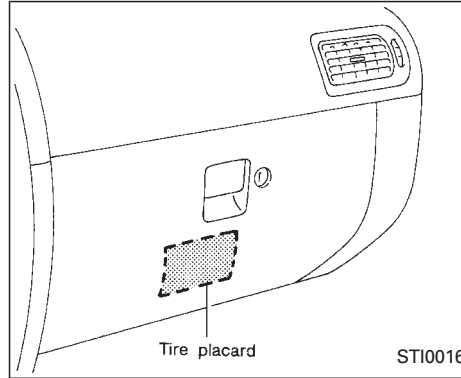
The Federal Motor Vehicle Safety Standard (F.M.V.S.S.) certification label is affixed as shown. This label contains valuable vehicle information, such as: Gross Vehicle Weight Rating (GVWR), Gross Axle Weight Rating (GAWR), month and year of manufacture, Vehicle Identification Number (VIN), etc. Review it carefully.





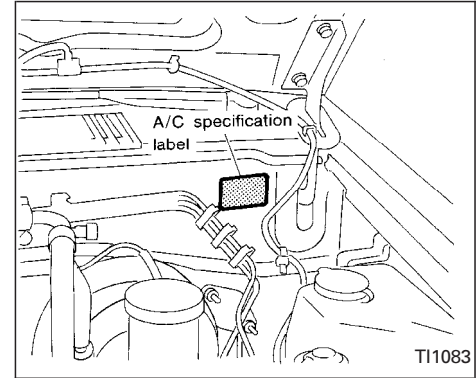
EMISSION CONTROL INFORMATION LABEL

The emission control information label is attached as shown.



TIRE PLACARD

The cold tire pressure is shown on the tire placard affixed to the inside of the glove box.



AIR CONDITIONER SPECIFICATION LABEL

The label is affixed to the firewall as shown.

VEHICLE LOADING INFORMATION

WARNING

- **It is extremely dangerous to ride in a cargo area inside of a vehicle. In a collision, people riding in these areas are more likely to be seriously injured or killed.**
- **Do not allow people to ride in any area of your vehicle that is not equipped with seats and seat belts.**
- **Be sure everyone in your vehicle is in a seat and using a seat belt properly.**

Terms

It is important to familiarize yourself with the following terms before loading your vehicle:

- **Curb Weight** (actual weight of your vehicle) - vehicle weight including: standard and optional equipment, fluids, emergency tools, and spare tire assembly. This weight **does not** include passengers and cargo.
- **GVW** (Gross Vehicle Weight) - curb weight plus the combined weight of passengers and cargo.

- **GVWR** (Gross Vehicle Weight Rating) - maximum total weight (load) limit specified for the vehicle.
- **GAWR** (Gross Axle Weight Rating) - maximum weight (load) limit specified for the front or rear axle.

Determining Vehicle Load Capacity

The load capacity of this vehicle is determined by weight, not by available cargo space. For example, a luggage rack, bike carrier, cartop carrier or similar equipment does not increase load carrying capacity of your vehicle.

To determine vehicle load capacity:

Vehicle weight can be determined by using a commercial-grade scale, found at places such as a truck stop, gravel quarry, grain elevator, or a scrap metal recycling facility.

- 1) Determine the curb weight of your vehicle.
- 2) Compare the curb weight amount to the GVWR specified for your vehicle to determine how much more weight your vehicle can carry.
- 3) After loading (cargo and passengers),

re-weigh your vehicle to determine if either GVWR or GAWR for your vehicle is exceeded. If GVWR is exceeded, remove cargo as necessary. If either the front or rear GAWR is exceeded, shift the load or remove cargo as necessary.

Loading Tips

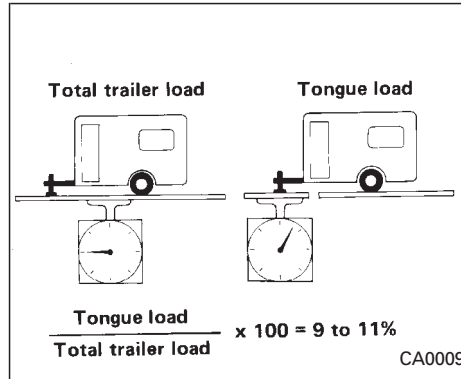
- The GVW must not exceed GVWR or GAWR as specified on the F.M.V.S.S. Certification Label.
- Do not load the front and rear axle to the GAWR. Doing so will exceed the GVWR.

CAUTION

- **Properly secure all cargo to help prevent it from sliding or shifting. In a sudden stop or collision, unsecured cargo could cause personal injury.**
- **Do not load your vehicle any heavier than the GVWR or the maximum front and rear GAWRs. If you do, parts on your vehicle can break, or it can change the way your vehicle handles. This could result in loss of control and cause personal injury.**

TRAILER TOWING

- **Overloading can shorten the life of your vehicle. Failures caused by overloading are not covered by your warranty.**



Your new vehicle was designed to be used primarily to carry passengers and cargo. Remember that towing a trailer will place additional loads on your vehicle's engine, drive train, steering, braking and other systems.

A **Nissan Trailer Towing Guide** is available from your NISSAN dealer. This guide includes information on trailer towing ability and the special equipment required for proper towing.

Maximum load limits

Maximum trailer loads

Never allow the total trailer load to exceed the value specified in the following Towing Load/Specification Chart. The total trailer load equals trailer weight plus its cargo weight.

- When towing a trailer load of 1,000 lb (454 kg) or more, trailers with a brake system **MUST** be used.

The maximum GCWR (Gross Combined Weight Rating) should not exceed the value specified in the following Towing Load/Specification Chart.

The GCWR equals the combined weight of the towing vehicle (including passengers and cargo) plus the total trailer load. Towing loads greater than these or using improper towing equipment could adversely affect vehicle handling, braking and performance.

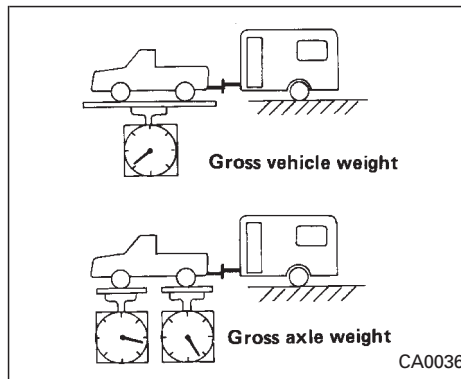
WARNING

Vehicle damage and/or personal injury resulting from improper towing procedures is not covered by NISSAN war-

ranties. Information on trailer towing and required towing equipment should be obtained from dealers who specialize in providing trailers or other towing equipment.

Tongue load

Keep the tongue load between 9 to 11% of the total trailer load within the maximum tongue load limits shown in the following Towing Load/Specification Chart. If the tongue load becomes excessive, rearrange cargo to allow for proper tongue load.



Maximum gross vehicle weight/maximum gross axle weight

The gross vehicle weight of the towing vehicle must not exceed the gross vehicle weight rating (GVWR) shown on the F.M.V.S.S. certification label. The gross vehicle weight equals the combined weight of the unloaded vehicle, passengers, luggage, hitch, trailer tongue load and any other optional equipment. In addition, front or rear gross axle weight must not exceed the gross axle weight rating (GAWR) shown on the F.M.V.S.S. certification label.

TOWING LOAD/ SPECIFICATION CHART

Unit: lb (kg)

WEIGHT	MODEL	2WD TRUCK		4WD TRUCK
		M/T	A/T	
MAXIMUM TRAILER WEIGHT*1		3,500 (1,588)	2,000 (907)	3,500 (1,588)
MAXIMUM TONGUE LOAD		350 (159)	200 (91)	350 (159)
GROSS COMBINED WEIGHT RATING		7,000 (3,175)	5,500 (2,495)	7,700 (3,493)
RECOMMENDED EQUIPMENT*2		Sway Control Device (SCD)	—	Sway Control Device (SCD)

*1: All towing above 1,000 lb (454 kg) requires the use of trailer brakes. NISSAN recommends the use of a tandem axle trailer whenever towing above 3,000 lb (1,361 kg).

*2: A sway control device is recommended for all towing above 2,000 lb (907 kg). Sway control devices are not offered by NISSAN. See a professional trailer/hitch outlet for a properly designed sway control device for your trailer.

M/T = Manual Transmission

A/T = Automatic Transmission

2WD = 2-wheel drive

4WD = 4-wheel drive

Trailer hitch

Check the towing capacity of your bumper hitch or receiver type frame mounted hitch. Choose a proper hitch for your vehicle and trailer. Make sure the trailer hitch is securely attached to the vehicle, to help avoid personal injury or property damage due to sway caused by crosswinds, rough road surfaces or passing trucks.

- Special hitches which include frame reinforcements are required for towing above 2,000 lb (907 kg). Suitable Genuine NISSAN hitches for pickup trucks are available at your NISSAN dealer.
- Axle-mounted hitches should not be used.
- Do not modify the vehicle exhaust system, brake system, etc. when the hitch is installed. After the hitch is removed, seal the bolt holes to prevent exhaust fumes, water or dust from entering the passenger compartment.
- Check regularly to make sure that all trailer hitch mounting bolts are securely fastened.

Tire pressures

- When towing a trailer, inflate the vehicle tires to the recommended cold tire pressure indicated on the tire placard (affixed to the glove box lid).
- Trailer tire condition, size, load rating and proper inflation pressure should be in accordance with the trailer and tire manufacturers' specifications.

Safety chain

Always use a suitable chain between your vehicle and the trailer. The chain should be crossed and should be attached to the hitch, not to the vehicle bumper or axle. Be sure to leave enough slack in the chain to permit turning corners.

Trailer lights

Trailer lights should comply with Federal and/or local regulations. For assistance in hooking up trailer lights, contact your authorized NISSAN dealer.

Trailer brakes

If your trailer is equipped with a braking system, make sure it conforms to Federal and/or local regulations and that it is properly installed.



CAUTION

Never connect a trailer brake system directly to the vehicle brake system.

Pre-towing tips

- Be certain your vehicle maintains a level position when a loaded and/or unloaded trailer is hitched. Do not drive the vehicle if it has an abnormal nose-up or nose-down condition; check for improper tongue load, overload, worn suspension or other possible causes of either condition.
- Always secure items in the trailer to prevent load shifts while driving.
- Be certain your rear view mirrors conform to all federal, state or local regulations. If not, install any mirrors required for towing before driving the vehicle.

Trailer towing tips

In order to gain skill and an understanding of the vehicle's behavior, you should practice turning, stopping and backing up in an area which is free from traffic. Steering, stability and braking performance will be somewhat different than under normal driving conditions.

- Always secure items in the trailer to prevent load shift while driving.
- Avoid abrupt starts, acceleration or stops.
- Avoid sharp turns or lane changes.
- Always drive your vehicle at a moderate speed.
- Always block the wheels on both vehicle and trailer when parking. Parking on a slope is not recommended; however, if you must do so, and if your vehicle is equipped with automatic transmission, first block the wheels and apply the parking brake, and then move the transmission shift lever into the P position. If you move the shift lever to the P position before blocking the wheels and applying the parking brake, transmission damage could occur.

- When going down a hill, shift into a lower gear and use the engine braking effect. When ascending a long grade, downshift the transmission to a lower gear and reduce speed to reduce chances of engine overloading and/or overheating. However, for long steep grades, do not stay in 1st or 2nd gear when driving above 35 MPH (56 km/h).
- If the engine coolant rises to an extremely high temperature when the air conditioning system is on, turn off the air conditioner. Coolant heat can be additionally vented by opening the windows, switching the fan control to high and setting the temperature control to the HOT position.
- Trailer towing requires more fuel than normal circumstances.
- Avoid towing a trailer for your vehicle's first 500 miles (800 km).
- Have your vehicle serviced more often than at intervals specified in the recommended Maintenance Schedule.
- When making a turn, your trailer wheels will be closer to the inside of the turn than your vehicle wheels. To compensate for

this, make a larger than normal turning radius during the turn.

- Crosswinds and rough roads adversely affect vehicle/trailer handling, possibly causing vehicle sway. When being passed by larger vehicles, be prepared for possible changes in crosswinds that could affect vehicle handling. If swaying does occur, firmly grip the steering wheel, steer straight ahead, and immediately (but gradually) reduce vehicle speed. This combination helps to stabilize the vehicle. Never increase speed.
- Be careful when passing other vehicles. Passing while towing a trailer requires considerably more distance than normal passing. Remember the length of the trailer must also pass the other vehicle before you can safely change lanes.
- To maintain engine braking efficiency and electrical charging performance, do not use fifth gear (manual transmission) or overdrive (automatic transmission).
- Avoid holding the brake pedal down too long or too frequently. This could cause the brakes to overheat, resulting in reduced braking efficiency.

UNIFORM TIRE QUALITY GRADING

When towing a trailer, change oil in the transmission more frequently. See the Maintenance Schedule.

DOT Quality Grades: All passenger car tires must conform to Federal Safety Requirements in addition to these grades.

Treadwear

Treadwear grade is a comparative rating based on tire wear rate when tested under controlled conditions on specified government test courses. For example, a tire graded 150 would wear one and a half (1-1/2) times as well on the government course as a tire graded 100. However, relative tire performance depends on actual driving conditions, and may vary significantly from the norm due to variations in driving habits, service practices and differences in road characteristics and climate.

Traction A, B and C

Traction grades are A (the highest), B and C. They represent a tire's ability to stop on wet pavement as measured under controlled conditions, on specified government test surfaces of asphalt and concrete. A tire marked with a C may have poor traction performance.

WARNING

The traction grade assigned to your vehicle tires is based on straight line braking traction tests and does not include cornering (turning) traction.

Temperature A, B and C

Temperature grades are A (the highest), B, and C. They represent a tire's resistance to heat build-up, and its ability to dissipate heat when tested under controlled conditions on a specified indoor laboratory test wheel. Sustained high temperature can cause tire material to degenerate, reducing tire life. Excessive temperatures can lead to sudden tire failure. Grade C corresponds to a performance level which all passenger car tires must meet under the Federal Motor Vehicle Safety Standard No. 109. Grades A and B represent higher levels of performance on laboratory test wheels than the minimum required by law.

 **WARNING**

The temperature grade for this tire is established for a tire that is properly inflated and not overloaded. Excessive speed, under inflation, or excessive loading, either separately or in combination, can cause heat build-up and possible tire failure problems.

EMISSION CONTROL SYSTEM WARRANTY

Your NISSAN is covered by the following emission warranties.

For USA

- 1) Emission Defects Warranty
- 2) Emissions Performance Warranty

For Canada

Emission Control System Warranty

Details of these warranties may be found with other vehicle warranties in your warranty information booklet which comes with your NISSAN. If you did not receive a warranty booklet or it becomes lost, you may obtain a replacement by writing to:

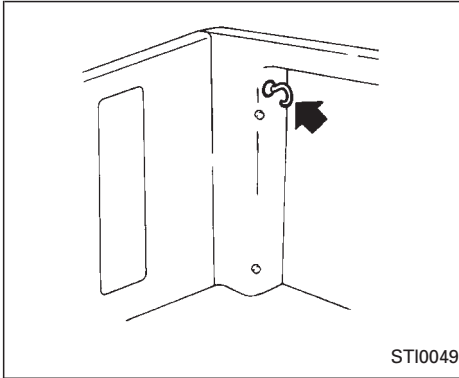
- Nissan Motor Corporation USA
Consumer Affairs Department
P.O. Box 191
Gardena, CA 90248-0191
- Nissan Canada Inc.
P.O. Box 1709
Station "B"
Mississauga, Ontario L4Y 4H6

VEHICLE LOADING

When loading your vehicle, the gross vehicle weight must not exceed the gross vehicle weight rating (GVWR) shown on the F.M.V.S.S. certification label. The gross vehicle weight equals the combined weight of the unloaded vehicle, passengers, cargo, fuel and any other optional equipment.

Loads should be spread out, and cargo should be properly secured. Large or heavy objects should be placed toward the front of the truck box to help prevent sliding or shifting. However, the front and rear gross axle weights must not exceed the gross axle weight ratings (GAWR) shown on the F.M.V.S.S. certification label. To find out the actual loads on the front and rear axles, you may need to weigh your vehicle at a weigh station.

TRUCK-CAMPER LOADING



For your convenience, tie down hooks are placed at each corner of the truck box. These may be used to help secure cargo loaded into the truck box.

CAUTION

- **Properly secure all cargo with ropes or straps to help prevent it from sliding or shifting. In a sudden stop or collision, unsecured cargo could cause personal injury.**

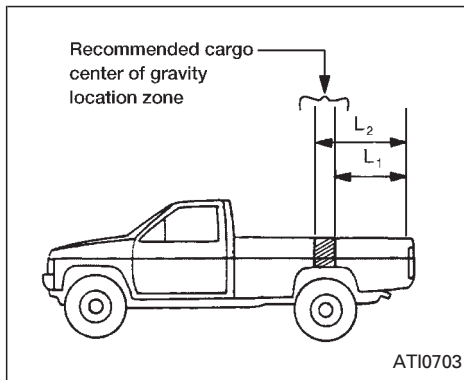
- **Do not load your vehicle any heavier than the GVWR or the maximum front and rear GAWR's. If you do, parts on your vehicle can break, or it can change the way your vehicle handles. This could result in loss of control and cause personal injury.**
- **Overloading can shorten the life of your vehicle. Failures caused by overloading are not covered by your warranty.**

This information is provided for you to properly install a slide-in camper and is based on the National Highway Traffic Safety Administration regulations. It is recommended that, before installing the camper, you carefully read the following information and ensure that the camper meets the specifications.

This information may not apply to some Canada model vehicles.

Special body vehicles

Some vehicles are equipped with commercial or camper bodies. However, this Owner's Manual does not cover these options. For further information, please refer to the body manufacturer's instruction manual.



Location for center of gravity

The illustration indicates the recommended cargo center of gravity location zone.

Regular cab:

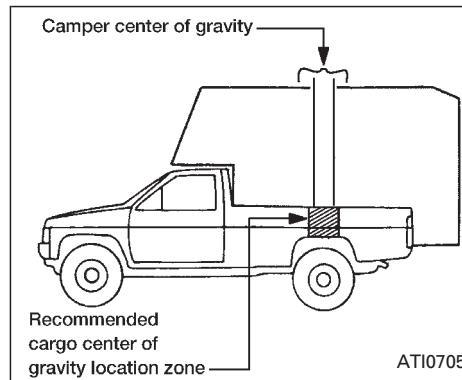
L₁ = 37.4 in (950.0 mm), L₂ = 42.4 in (1,077.0 mm)

King cab:

L₁ = 37.8 in (960.1 mm), L₂ = 42.8 in (1,087.1 mm)

CAUTION

Improper loading may be dangerous. If a load is too far back, it can affect handling characteristics. If a load is too far forward, the front axle may be overloaded.



Cargo weight rating

Regular bed (STD) models

In vehicle	Cargo
2 occupants:	700 lb (320 kg)
3 occupants:	550 lb (250 kg)


Regular bed (except STD) and King Cab models

In vehicle	Cargo
2 occupants:	1,100 lb (500 kg)
3 occupants:	950 lb (430 kg)
4 occupants:	800 lb (360 kg)

When the truck is used to carry a slide-in camper, the total cargo load of the truck consists of the camper manufacturer's weight figure, plus:

- the weight of installed additional camper equipment not included in the camper manufacturer's weight figure
- the weight of camper cargo
- the weight of occupants in the camper

The total cargo load should not exceed the truck's cargo weight rating and the camper's center of gravity should fall within the truck's recommended center of gravity location zone when installed.

 **CAUTION**

Overloading or improper loading can adversely affect vehicle handling, braking and performance and may lead to accidents.

Measurement of weights

Secure loose items to prevent weight shifts that could affect the balance of your vehicle. When the truck camper is loaded, drive to a scale and weigh the front and the rear

wheels separately to determine axle loads. Individual axle loads should not exceed either of the gross axle weight ratings (GAWR). The total of the axle loads should not exceed the gross vehicle weight rating (GVWR). These ratings are given on the vehicle certification label that is located on the driver's door lock pillar. If weight ratings are exceeded, move or remove items to bring all weights below the ratings.

REPORTING SAFETY DEFECTS (USA)

If you believe that your vehicle has a defect which could cause a crash or could cause injury or death, you should immediately inform the National Highway Traffic Safety Administration (**NHTSA**) in addition to notifying NISSAN.

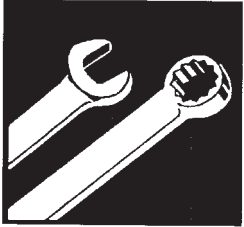
If **NHTSA** receives similar complaints, it may open an investigation, and if it finds that a safety defect exists in a group of vehicles, it may order a recall and remedy campaign. However, **NHTSA** cannot become involved in individual problems between you, your dealer, or NISSAN.

To contact **NHTSA**, you may either call the Auto Safety Hotline toll-free at 1-800-424-9393 (or 366-0123 in the Washington, D.C. area) or write to: **NHTSA**, U.S. Department of Transportation, Washington, D.C. 20590. You can also obtain other information about motor vehicle safety from the Hotline.

You may notify NISSAN by contacting our Consumer Affairs Department, toll-free, at 1-800-NISSAN-1.

In Hawaii call (808) 836-0888.

Genuine Nissan Service Manuals



GET THE INSIDE STORY

A Genuine Nissan Service Manual is the best source of service and repair information for your vehicle. Filled with wiring diagrams, illustrations and step-by-step diagnostic and adjustment procedures, this manual is the same one used by the factory trained technicians working at your Nissan dealership. Also available are Genuine NISSAN Owner's Manuals. For current pricing and availability of a Genuine NISSAN Service Manual or Genuine NISSAN Owner's Manual, contact:

In the USA:

See your NISSAN dealer or contact:

Dyment Distribution Services
20770 Westwood Dr.
Strongsville OH 44136

In a hurry? Call 1-800-247-5321 and charge your purchase to Visa/Master Card.

In Canada:

To purchase a copy of a Genuine NISSAN Service Manual or Owner's Manual please contact your nearest NISSAN Dealer. For the phone number and location of a NISSAN Dealer in your area call the Nissan Satisfaction Center at 1-800-387-0122 and a bilingual NISSAN representative will assist you.

Also available are Genuine NISSAN Service and Owner's Manuals for older Nissan models.

10 Index

A

Air bag (See supplemental restraint system)	
Air bag warning light.....	2-15
Air cleaner housing filter.....	7-15
Air conditioner	
Air conditioner operation	3-5
Air conditioner service	3-9
Air conditioner specification label.....	9-14
Air conditioning system refrigerant and lubricant recommendations	9-8
Air flow charts	3-6
AM-FM electronic tuning radio with cassette player.....	3-11
AM-FM electronic tuning radio with cassette player (100 W)	3-16
Anchor point locations	2-25
Antenna (manual)	3-20
Anti-lock brake system, rear (R-ABS)	4-26
Audio system	
AM-FM electronic tuning radio with cassette player	3-11
AM/FM electronic tuning radio with cassette player (100 W)	3-16
Cassette tape operation.....	3-13, 3-19
Auto-lock free-running hubs	4-15
Automatic	
Automatic transmission fluid.....	7-9

Driving with automatic transmission.....	4-6
--	-----

B

Battery.....	7-13
Brake	
Brake fluid	7-11, 9-3
Brake booster	7-19
Brake pedal	7-18
Brake pad wear indicators	1-9, 7-18
Parking brake check.....	7-17
Parking brake operation	4-11
Rear anti-lock brake system (R-ABS) ..	4-26
Break-in schedule	4-13
Bulb check/instrument panel	1-6
Bulb replacement.....	7-22

C

Capacities and recommended fuel/lubricants.....	9-2
Cargo (see vehicle loading information)....	9-15
Cassette tape operation	3-13, 3-19
Cassette player (See audio system)	
CB radio or car phone	3-21
Center and side ventilators.....	3-2
Child restraints for infants and small children	2-22

Cigarette lighter (accessory) and ash tray	1-13
Cleaning exterior and interior	6-2
Clock/audio system.....	3-11
Clock/instrument cluster	1-5
Clutch fluid	7-11
Clutch pedal.....	7-19
Cold weather driving cautions	4-27
Controls	
Audio controls	3-11, 3-16
Heater and air conditioner controls	3-3
Coolant	
Capacities and recommended fuel/lubricants.....	9-2
Changing engine coolant.....	7-5
Checking engine coolant level	7-4
Engine coolant temperature gauge	1-4
Cruise control.....	4-11
Cup holder	1-13

D

Daytime running light system (Canada only)	1-10
Digital clock (See clock/instrument cluster)	
Dimensions and weights.....	9-11
Door locks.....	2-2
Drive belts.....	7-14

Driving	
Auto-lock free-running hubs	4-15
Cold weather driving cautions	4-27
Driving with automatic transmission	4-6
Driving with manual transmission	4-9
Driving your 4-wheel drive safely	4-22
Manual-lock free-running hubs	4-19
Precautions when driving	4-25
Precautions when starting and driving ...	4-2

E

Economy, fuel	4-13
Emission control information label	9-14
Emission control system warranty	9-22
Engine	
Before starting the engine	4-5
Capacities and recommended fuel/lubricants	9-2
Changing engine coolant	7-5
Changing engine oil	7-7
Changing engine oil filter	7-8
Checking engine coolant level	7-4
Checking engine oil level	7-6
Engine compartment check locations ...	7-3
Engine coolant temperature gauge	1-4
Engine cooling system	7-4
Engine oil	7-6
Engine oil and oil filter recommendation	9-6
Engine oil viscosity	9-7
Engine serial number	9-13

Engine specifications	9-9
Starting the engine	4-10
Exhaust gas (Carbon monoxide)	4-2

F

Flashers (See hazard warning flasher switch)	
Flat tire	5-2
Floor mat positioning aid	6-4
Fluid (Checking)	
Automatic transmission fluid	7-9
Brake and clutch fluid	7-11
Engine coolant	7-4
Engine oil	7-6
Power steering fluid	7-11
Window washer fluid	7-12
F.M.V.S.S. certification label	9-13
Front seats	
Bench	2-10
Separate	2-8
Fuel	
Capacities and recommended fuel/lubricants	9-2
Fuel economy	4-13
Fuel filler cap	2-5
Fuel gauge	1-4
Fuel octane rating	9-5
Fuel recommendation	9-4
Fuses	7-20

G

Gas station information	10-11
Gauge	
Engine coolant temperature gauge	1-4
Fuel gauge	1-4
Odometer	1-3
Speedometer	1-3
Tachometer	1-3
Trip odometer	1-3
Gear selection (See shifting)	
General maintenance	8-2
Glove box lock	2-4

H

Hazard warning flasher switch	1-12
Head restraints	2-9
Headlight and turn signal switch	1-10
Headlights	7-20
Heater	
Heater and air conditioner controls	3-3
Heater operation	3-4
Hood release	2-4
Hubs	
Auto-lock free-running hubs	4-15
Manual-lock free-running hubs	4-19

I

Ignition switch	4-4
-----------------------	-----

Increasing fuel economy.....	4-13
Indicator lights and chimes (See warning/indicator lights and chimes)	
Inside mirror.....	2-27
Instrument brightness control	1-12
Interior light and cargo light.....	1-14

J

Jack	
Pantograph type	5-5
Screw type.....	5-6
Jump seat	2-11
Jump starting	5-8

K

Key.....	2-2
----------	-----

L

Labels	
Air conditioner specification label.....	9-14
Emission control information label.....	9-14
Engine serial number	9-13
F.M.V.S.S. certification label	9-13
Vehicle identification number plate	9-12
Warning labels (for SRS)	2-15
Light	
Supplemental air bag warning light.....	2-15
Bulb check/instrument panel	1-6

Bulb replacement.....	7-22
Headlight and turn signal switch	1-10
Headlights	7-20
Interior light and cargo light.....	1-14
Light bulbs	7-20
Map light	1-14
Warning/indicator lights and chimes	1-6

Lock

Door locks.....	2-2
Free-running lock (see hubs)	
Glove box lock.....	2-4
Power door lock.....	2-3
Luggage (see vehicle loading information).	9-15

M

Maintenance

General maintenance	8-2
Inside the vehicle.....	8-3
Maintenance precautions	7-2
Outside the vehicle.....	8-2
Periodic maintenance schedules.....	8-5
Seat belt maintenance.....	2-21
Under the hood and vehicle	8-4
Manual antenna	3-20
Manual-lock free-running hubs	4-19
Manual window	1-15
Map light	1-14
Mirror	
Inside mirror.....	2-27
Outside mirror remote control	2-26
Outside mirrors	2-26

Vanity mirror	2-27
---------------------	------

O

Octane rating (see fuel)	
Odometer	1-3
Oil	
Capacities and recommended fuel/lubricants.....	9-2
Changing engine oil.....	7-7
Changing engine oil filter.....	7-8
Checking engine oil level	7-6
Engine oil.....	7-6
Engine oil and oil filter recommendation.....	9-6
Opera window	1-17
Outside mirror remote control	2-26
Outside mirrors	2-26
Overdrive switch	4-8
Overheat	
If your vehicle overheats	5-9
Owner's manual order form.....	9-26

P

Pantograph type jack.....	5-5
Parking	
Parking brake check.....	7-17
Parking brake operation	4-11
Parking/parking on hills	4-24
Periodic maintenance schedules.....	8-5

Power	
Power door lock.....	2-3
Power steering fluid.....	7-11
Power window	1-15
Precautions	
Maintenance precautions	7-2
On-pavement and off-road driving precautions	4-3
Precautions on seat belt usage.....	2-17
Precautions when driving	4-25
Precautions when starting and driving...	4-2
Protecting against corrosion.....	6-4
Push starting.....	5-9

Q

Quick reference	10-11
-----------------------	-------

R

Radio	
AM-FM electronic tuning radio with cassette player	3-11
AM-FM electronic tuning radio with cassette player (100 W)	3-16
Cassette tape operation.....	3-13, 3-19
CB radio or car phone.....	3-21
Rear anti-lock brake system (R-ABS)	4-26
Rear sliding window.....	1-16
Registering your vehicle in another country	9-12
Reporting safety defects (USA).....	9-25

S

Safety	
Reporting safety defects (USA).....	9-25
Screw type jack	5-6
Seats	
Adjustment.....	2-8
Bench seat.....	2-10
Jump seat	2-11
Separate seats	2-8
Seat belt	
Precautions on seat belt usage.....	2-17
Seat belt extenders	2-21
Seat belt maintenance.....	2-21
Seat belts.....	2-17
2-point type without retractor.....	2-20
3-point type with retractor.....	2-18
Service manual order form	9-26
Shifting	
Automatic transmission	4-7
Manual transmission.....	4-9
Spark plug replacement.....	7-14
Speedometer	1-3
SRS warning label	2-15
Starting	
Before starting the engine	4-5
Jump starting	5-8
Precautions when starting and driving...	4-2
Push starting.....	5-9
Starting the engine	4-10
Steering	
Power steering fluid.....	7-11

Tilting steering wheel.....	2-26
Sunroof	1-17
Sunshade.....	1-18
Supplemental restraint system (Supplemental air bag system).....	2-12
Switch	
Hazard warning flasher switch	1-12
Headlight and turn signal switch	1-10
Ignition switch	4-4
Overdrive switch	4-8
Windshield wiper and washer switch ...	1-11

T

Tachometer.....	1-3
Tailgate latch	2-5
Three-way catalyst.....	4-2
Tie down hook	2-7
Tilting bench seat	2-10
Tilting front separate seat.....	2-9
Tilting steering wheel.....	2-26
Tire	
Flat tire.....	5-2
Tire chains	7-25
Tires of 4-wheel drive.....	4-23
Tire placard.....	9-14
Tire pressure	7-24
Tire rotation	7-26
Types of tires.....	7-24
Uniform tire quality grading	9-21
Wheel/tire size	9-10

Wheels and tires.....	7-24
Towing	
Tow truck towing	5-10
Towing load/specification chart	9-18
Trailer towing	9-16
2-wheel drive models	5-11
4-wheel drive models	5-12
Transfer case.....	4-14
Transmission	
Automatic transmission fluid.....	7-9
Driving with automatic transmission	4-6
Driving with manual transmission.....	4-9
Travel (See registering your vehicle in another country)	
Trip odometer	1-3
Truck-camper loading	9-23
Turn signal switch (See headlight and turn signal switch)	

V

Vanity mirror	2-27
Vehicle dimensions and weights	9-11
Vehicle identification	
Vehicle identification number (Chassis number)	9-12
Vehicle identification number plate	9-12
Vehicle loading information	9-15
Vehicle recovery	5-12
Ventilators	3-2

W

Warning	
Supplemental air bag warning light	2-15
Hazard warning flasher switch	1-12
Warning/indicator lights and chimes	1-6
Warning labels (for SRS).....	2-15
Weights (See dimensions and weights)	
Wheel/tire size	9-10
Wheels and tires.....	7-24
Window washer fluid.....	7-12
Windows	
Opera window.....	1-17
Power window	1-15
Rear sliding window	1-16
Wiper	
Windshield wiper and washer switch ...	1-11
Wiper blades.....	7-16

GAS STATION INFORMATION

Recommended fuel:

Unleaded gasoline, at least 87 AKI number (RON 91)

For further details such as gasohol or diesel fuel grade, see “Fuel recommendation” in the “Technical and consumer information” section.

Recommended engine oil:

Energy Conserving Oils of API SG or SH, SAE 5W-30 is preferable for all temperatures. See “Engine oil and oil filter recommendation” in the “Technical and consumer information” section.

Tire cold pressure:

See the tire placard affixed to the glove box.

Recommended new vehicle break-in procedure:

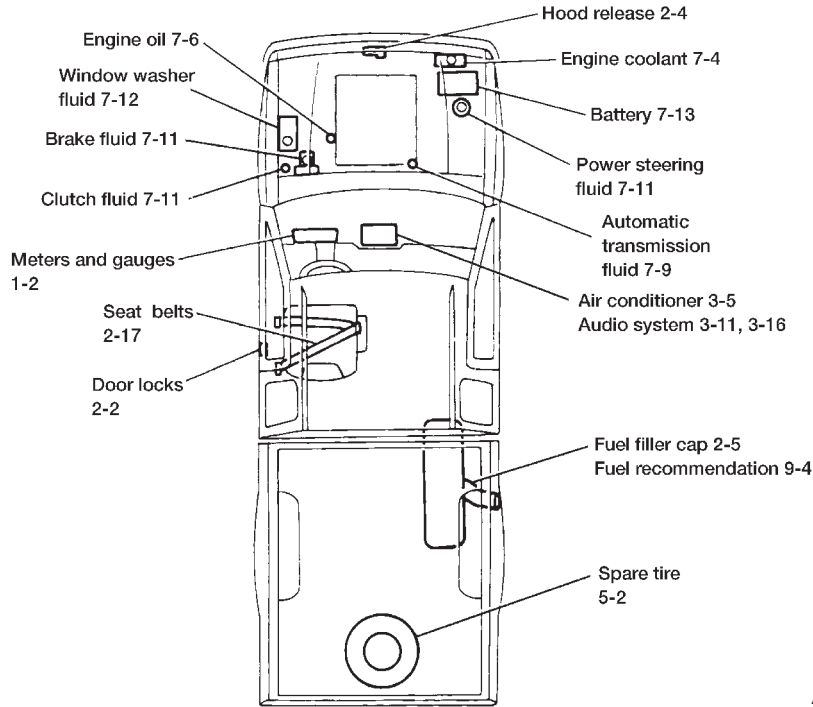
During the first 1,000 miles (1,600 km) of vehicle use, follow the recommendations outlined in the “BREAK-IN SCHEDULE” found in the “Starting and Driving” section of this Owner’s Manual. Follow these recommendations for the future reliability and economy of your new vehicle. Failure to

follow these recommendations may result in vehicle damage or shortened engine life.

QUICK REFERENCE

	(page)
● In case of emergency	5-1 (Flat tire, engine will not start, overheating, towing)
● How to start the engine	4-1
● How to read the meters and gauges	1-1
● Maintenance schedule.....	8-1
● Do-it-yourself operations.....	7-1
● Technical and consumer information	9-1

QUICK REFERENCE



AGS0701