

# Foreword

The inside pages of this manual contain a minimum of 50% recycled fibers, including 10% post-consumer fibers. 

Welcome to the growing family of new NISSAN owners. This vehicle is delivered to you with confidence. It was produced using the latest techniques and strict quality control.

This manual was prepared to help you understand the operation and maintenance of your vehicle so that you may enjoy many miles of driving pleasure. Please read through this manual before operating your vehicle.

A separate “Warranty Information Booklet” explains details about the warranties covering your vehicle.

Your NISSAN dealer knows your vehicle best. When you require any service or have any questions, he will be glad to assist you with the extensive resources available to him.

## IMPORTANT SAFETY INFORMATION REMINDERS FOR SAFETY!

Follow these five important driving rules to help ensure a safe and complete trip for you and your passengers!

- **NEVER drive under the influence of alcohol or drugs.**
- **ALWAYS observe posted speed limits and never drive too fast for conditions.**
- **ALWAYS use your seat belts and appropriate child restraint systems.**
- **ALWAYS provide information about the proper use of vehicle safety features to all occupants of the vehicle.**
- **ALWAYS review this Owner’s Manual for important safety information.**

© 1996 NISSAN NORTH AMERICA, INC.  
TORRANCE, CALIFORNIA

All rights reserved. No part of this Owner’s Manual may be reproduced or stored in a retrieval system, or transmitted in any form, or by any means, electronic, mechanical, photocopying, recording or otherwise, without the prior written permission of Nissan North America, Inc.

## NOTES ON THE INFORMATION CONTAINED IN THIS OWNER’S MANUAL

**This owner’s manual contains descriptions and operating instructions for all systems, features and optional equipment that might appear in any model of this vehicle built for any destination in North America, including the continental United States, Canada and Hawaii. Therefore, you may very well find information in this manual that does not apply to your vehicle.**

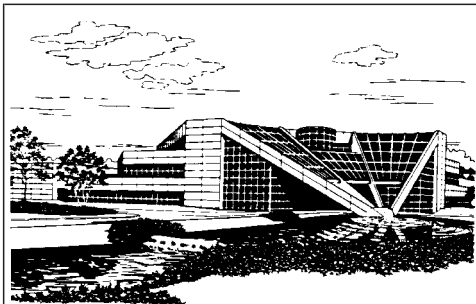
### MODIFICATION OF YOUR VEHICLE

This vehicle should not be modified. Modification could affect its performance, safety or durability, and may even violate governmental regulations. In addition, damage or performance problems resulting from modifications may not be covered under NISSAN warranties.

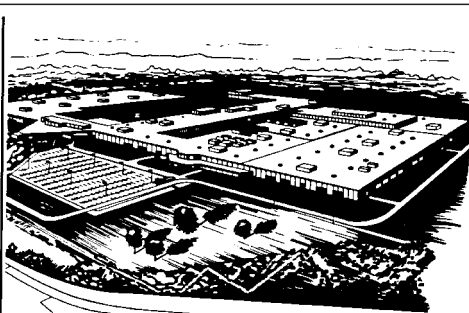
All information, specifications and illustrations in this manual are those in effect at the time of printing. NISSAN reserves the right to change specifications or design without notice and without obligation.

# Welcome To The World Of NISSAN

The inside pages of this manual contain a minimum of 50% recycled fibers, including 10% post-consumer fibers.



NISSAN RESEARCH & DEVELOPMENT, INC.  
in Farmington Hills, Michigan



NISSAN MOTOR MANUFACTURING CORPORATION  
U.S.A. in Smyrna, Tennessee AFW0001

Your new Nissan is the result of our dedication to produce the finest in safe, reliable and economical transportation. Your vehicle is the product of a successful worldwide company that manufactures cars and trucks in over 20 countries and distributes them in 150 nations.

Nissan vehicles are designed and manufactured by Nissan Motor Co., Ltd. which was founded in Tokyo, Japan in 1933, and Nissan affiliates world wide, collectively growing to become the fourth largest automaker in the world. In addition to cars and trucks, Nissan also makes textile machinery, forklift trucks, marine engines, boats and other products.

Nissan has made a substantial and growing investment in North America, starting with the opening of Nissan Motor Corporation in U.S.A. in

1960 and continuing with the production of some cars and trucks at one of the world's most modern manufacturing facilities in Smyrna, Tennessee, vehicle styling at Nissan Design International in San Diego, California, and engineering at Nissan Research and Development in Farmington Hills, Michigan.

Nissan Motor Corporation in U.S.A. and its dealers employ about 50,000 Americans.

Nissan is also a substantial contributor to the Canadian economy. Nissan Canada Inc. and its 200 dealers and suppliers employ approximately 4,000 people. These include company employees and the staffs of Nissan dealers all across Canada. In addition, many Canadians work for companies that supply Nissan and Nissan dealers with materials and services ranging from

operation of port facilities and transportation services, to the supply of lubricants, parts and accessories.

Nissan pioneered the use of electronics and computers in automobiles, and has led the industry in improving both performance and fuel efficiency through new engine designs and the use of synthetic materials to reduce vehicle weight. The company has also developed ways to build quality into its vehicles at each stage of the production process, both through extensive use of automation and — most importantly — through an awareness that **people** are the central element in quality control.

From the time the parts arrived from our suppliers until you took delivery of your new Nissan, dozens of checks were made to ensure that only the best job was being done in producing and delivering your vehicle. Nissan also takes great care to ensure that when you take your Nissan to your dealer for maintenance, the service technician will perform his work according to the quality standards that have been established by the factory.

Safety has also been built into your Nissan. As you know, seat belts are an integral part of the safety systems that will help protect you and your passengers in the event of a sudden stop or an accident. We urge you to use the belts every time you drive the vehicle.

The Nissan story of growth and achievement reflects our major goal: to provide you, our customer, with a vehicle that is built with quality and craftsmanship — a product that we can be proud to build and you can be proud to own.

**NOTE:**

**For Canada, some vehicles are not equipped with a Supplemental Air Bag System.**

**Your vehicle may not have a Driver and Passenger-side Supplemental Air Bag.**

**For additional information see the “Pre-driving checks and adjustments” section of this manual.**

# NISSAN CUSTOMER CARE PROGRAM

## **NISSAN CARES ...**

Both NISSAN and your NISSAN dealer are dedicated to serving all your automotive needs. Your satisfaction with your vehicle and your NISSAN dealer are our primary concerns. Your NISSAN dealer is always available to assist you with all your automobile sales and service needs.

However, if there is something that your NISSAN dealer cannot assist you with or you would like to provide NISSAN directly with comments or questions, please contact our (NISSAN's) Consumer Affairs Department using our toll-free number:

- For U.S. mainland customers**  
**1-800-NISSAN-1 (1-800-647-7261)**
- For Hawaii customers**  
**(808) 531-0231 (Oahu Number)**
- For Canada customers**  
**1-800-387-0122**

The Consumer Affairs Department will ask for the following information:

- Your name, address, and telephone number
- Vehicle identification number (on dashboard)
- Date of purchase
- Current odometer reading
- Your NISSAN dealer's name
- Your comments or questions

## **OR**

You can write to NISSAN with the information on the left at:

### **For U.S. mainland and Alaska customers**

**Nissan Motor Corporation in U.S.A.**  
**Consumer Affairs Department**  
**P.O. Box 191**  
**Gardena, California 90247**

### **For Hawaii customers**

**Nissan Motor Corporation in Hawaii**  
**2880 Kilihau St.**  
**Honolulu, Hawaii 96819**

### **For Canada customers**

**Nissan Canada Inc.**  
**P.O. Box 1709, Station "B"**  
**Mississauga, Ontario L4Y 4H6**

We appreciate your interest in NISSAN and thank you for buying a quality NISSAN vehicle.



# Contents

<b>Instruments and controls</b>	<b>1</b>
<b>Pre-driving checks and adjustments</b>	<b>2</b>
<b>Heater, air conditioner and audio system</b>	<b>3</b>
<b>Starting and driving</b>	<b>4</b>
<b>In case of emergency</b>	<b>5</b>
<b>Appearance and interior care</b>	<b>6</b>
<b>Do-it-yourself operations</b>	<b>7</b>
<b>Maintenance schedule</b>	<b>8</b>
<b>Technical and consumer information</b>	<b>9</b>
<b>Index</b>	<b>10</b>

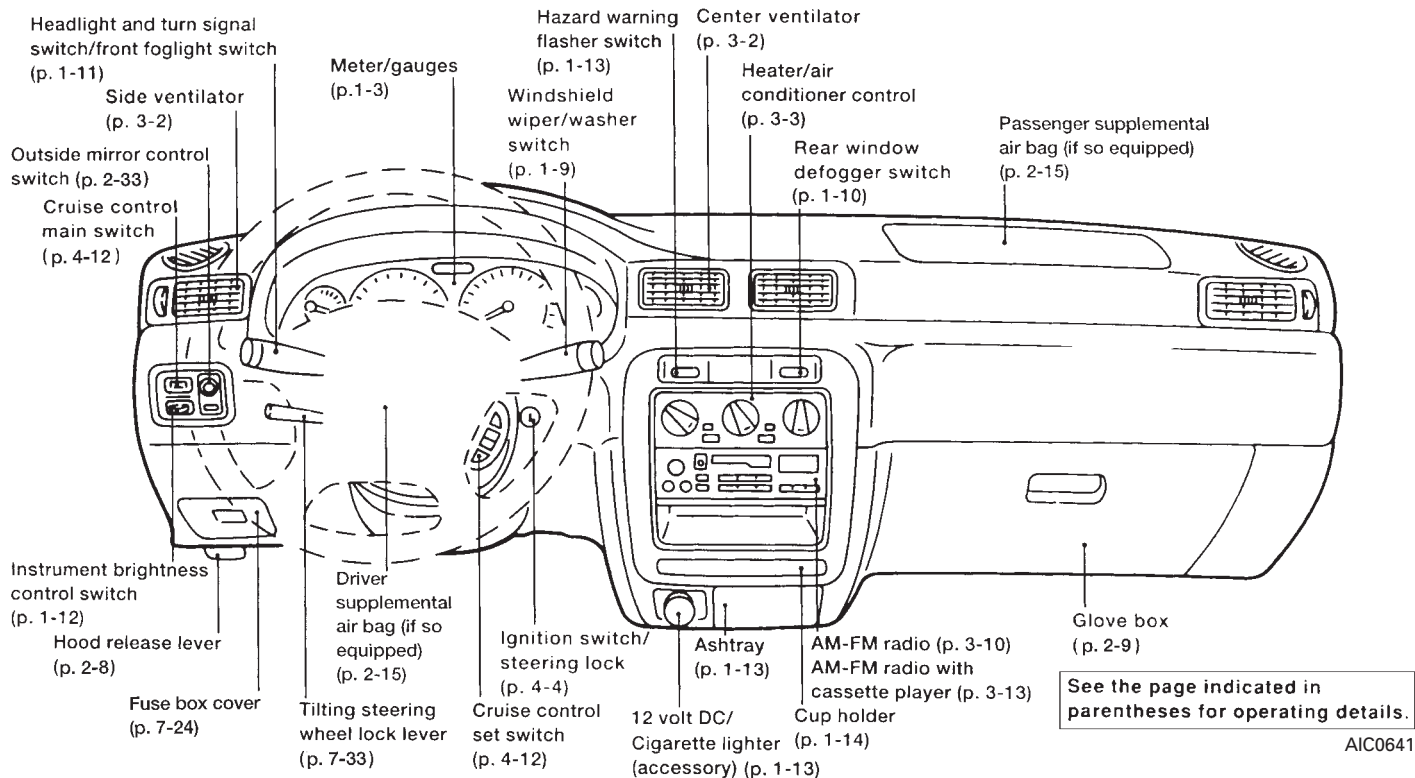


# 1 Instruments and controls

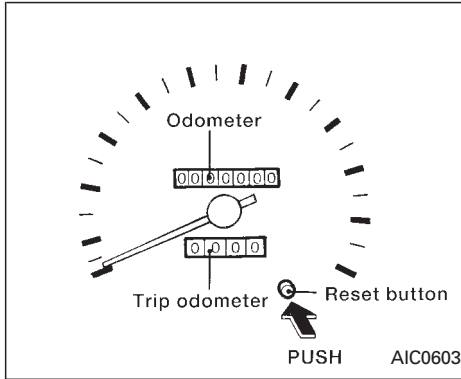
Meters and gauges .....	1-2	Hazard warning flasher switch .....	1-13
Speedometer and odometer .....	1-3	Cigarette lighter (accessory) and ashtray .....	1-13
Tachometer (If so equipped) .....	1-3	Cup holder .....	1-14
Engine coolant temperature gauge .....	1-3	Power windows (If so equipped) .....	1-15
Fuel gauge .....	1-4	Sun roof (If so equipped) .....	1-16
Warning/indicator lights and chimes .....	1-5	Interior light .....	1-17
Theft warning (If so equipped) .....	1-8	Trunk light (If so equipped) .....	1-17
Windshield wiper and washer switch .....	1-9		
Rear window defogger switch .....	1-10		
Headlight and turn signal switch .....	1-11		
Instrument brightness control .....	1-12		
Front fog light switch (If so equipped) .....	1-12		



# METERS AND GAUGES



## SPEEDOMETER AND ODOMETER



### Speedometer

The speedometer indicates vehicle speed.

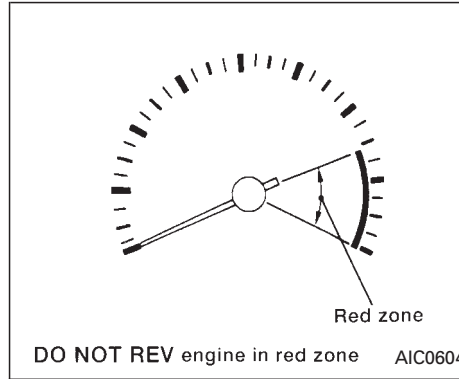
### Odometer

The odometer records the total distance the vehicle has been driven.

### Trip Odometer

The trip odometer records the distance of individual trips. Before each trip, set the trip odometer to zero by pushing the reset button.

## TACHOMETER (If so equipped)



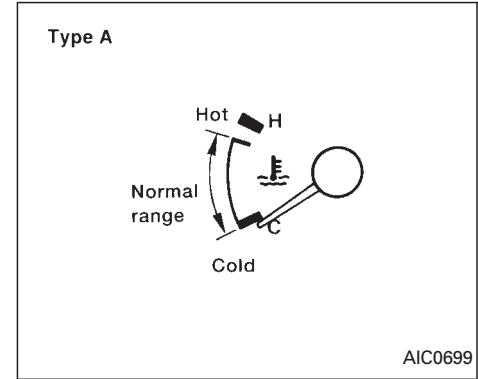
### Tachometer

The tachometer indicates engine speed in revolutions per minute (rpm).

### CAUTION

**When engine speed approaches the red zone, shift to a higher gear. Engine speed in the red zone may cause serious engine damage.**

## ENGINE COOLANT TEMPERATURE GAUGE

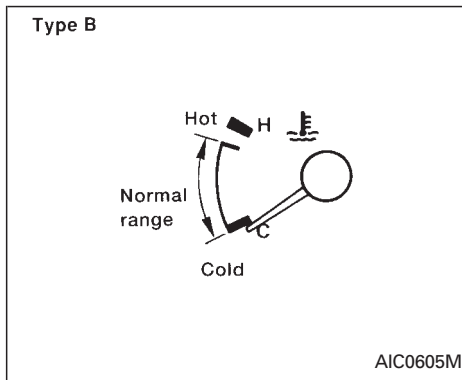


### Engine Coolant Temperature Gauge

The gauge indicates the engine coolant temperature.

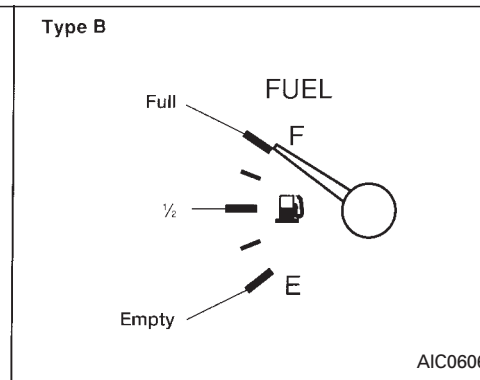
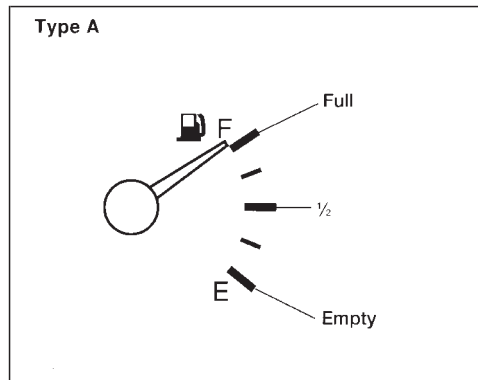
The engine coolant temperature varies with the outside air temperature and driving conditions.

## FUEL GAUGE



### ⚠ CAUTION

If the gauge indicates engine coolant temperature over the normal range, stop the vehicle as soon as safely possible. If the engine is overheated, continued operation of the vehicle may seriously damage the engine. See the “In case of emergency” section for the immediate action required.



### Fuel Gauge








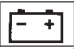




The gauge indicates the **approximate** fuel level in the tank.

The gauge may move slightly during braking, turning, acceleration, or going up or down hills.

The gauge needle remains in approximately the same position, even after the ignition key is turned to OFF.






**Refill the fuel tank before the gauge registers Empty (E).**

## WARNING/INDICATOR LIGHTS AND CHIMES

 or <b>BRAKE</b>	Brake warning light		Low washer fluid warning light (For Canada)		Cruise indicator light (if so equipped)
	Turn signal/hazard indicator lights	 or <b>ABS</b>	Anti-lock brake warning light (if so equipped)		Air bag warning light (if so equipped)
	High beam indicator light (Blue)	<b>O/D OFF</b>	Overdrive off indicator light		Seat belt warning light
	Charge warning light		Malfunction indicator light		Low fuel warning light (if so equipped)
	Door ajar warning light (if so equipped)		Engine oil pressure warning light		

### Checking bulbs

Apply the parking brake and turn the ignition key to ON without starting the engine. The following lights will come on:

,  or **BRAKE**, ,  or **ABS**, ,



If equipped, the following lights come on briefly and then go off:

 or **AIR BAG**, **O/D OFF**,  or **ABS**

**If any light fails to come on, it may indicate a burned-out bulb or an open**

**circuit in the electrical system. Have the system repaired promptly.**



Engine oil pressure warning light

This light warns of low engine oil pressure. If the light flickers or comes on during normal driving, pull off the road in a safe area, stop the engine **immediately** and call a NISSAN dealer or other authorized repair shop.

**The oil pressure warning light is not designed to indicate a low oil level. Use the dipstick to check the oil level. See**

“Engine oil” in the “Do-it-yourself operations” section.



### CAUTION

**Running the engine with the oil pressure warning light on could cause serious damage to the engine.**



Charge warning light

If the light comes on while the engine is running, it may indicate a problem with the charging system. Turn the engine off and check the generator belt. If the belt is loose,

broken, or missing, or if the light remains on, see your NISSAN dealer immediately.

 **CAUTION**

**Do not continue driving if the generator belt is loose, broken or missing.**



**Low fuel warning light**  
(If so equipped)

This light comes on when the fuel in the tank is getting low. Refuel as soon as it is convenient, preferably before the fuel gauge reaches E.

There should be a small reserve of fuel remaining in the tank when the fuel gauge reaches E.



**Door ajar warning light**  
(If so equipped)

This light comes on when any of the doors and/or back door are not closed securely while the ignition key is ON.



**Seat belt warning light and chime**

The light and chime remind you to fasten seat belts. The light illuminates whenever

the ignition key is turned to ON, and remains illuminated until the driver's seat belt is fastened. At the same time, the chime sounds for about seven seconds unless the driver's seat belt is securely fastened.

Refer to "Seat belts" in the "Pre-driving checks and adjustments" section for precautions on seat belt usage.



**Air bag warning light**  
(If so equipped)

When the ignition key is in the ON or START position, the air bag light illuminates for about 7 seconds and then turns off. This means the system is operational.

If any of the following conditions occur, the air bag needs servicing and your vehicle must be taken to your nearest authorized NISSAN dealer:

1. The air bag light does not come on and remain on for 7 seconds and then go off as described above.
2. The air bag light flashes intermittently or remains on.
3. The air bag light does not come on at all.

Unless checked and repaired, the Supple-

mental Restraint System (Air bag system) may not function properly. For additional details on the Supplemental Restraint System (Air bag system), see the "Pre-driving checks and adjustments" section.



**Low washer fluid warning light**  
(For Canada)

This light comes on when the washer fluid is at a low level. Add washer fluid as necessary. See the "Do-it-yourself operations" section.



**or BRAKE Brake warning light**

This light functions for both the parking brake and the foot brake systems.

The light comes on when the parking brake is applied, and also warns of a low brake fluid level. If the light comes on while the engine is running with the parking brake not applied, stop the vehicle and perform the following:

1. Check the brake fluid level. Add brake fluid as necessary. See "Brake and clutch fluid" in the "Do-it-yourself operations" section.
2. If the brake fluid level is correct, have the warning system checked by your NISSAN dealer.

 **WARNING**

- If you judge it to be safe, drive carefully to the nearest service station for repairs. Otherwise, have your vehicle towed because driving it could be dangerous.
- Pressing the brake pedal with the engine stopped and/or low brake fluid level may increase your stopping distance and braking will require greater pedal effort as well as pedal travel.



or



Anti-lock brake warning light  
(If so equipped)

If the light comes on while the engine is running, it may indicate something wrong with the anti-lock portion of the brake system. Have the system checked by your Nissan dealer.

**Turn off the engine, and start it again by slowly turning the ignition key (quickly doing so may cause the ABS light to stay on when there is nothing wrong). If the light stays on, have the system checked**


by your **NISSAN** dealer.

If an abnormality occurs in the system, the anti-lock function ceases, but the regular braking system continues to operate.

**If the light comes on while you are driving, contact your NISSAN dealer for repair.**



Overdrive off indicator light  
(Automatic transmission models only)

This light comes on when the overdrive switch is pushed to the OFF  position.



Turn signal/hazard indicator lights

The appropriate light flashes when the turn signal lever switch is activated.

Both lights flash when the hazard switch is turned on.



High beam indicator light

This blue light comes on when the headlight high beam is on and goes out when the low beam is selected.



Cruise indicator light  
(If so equipped)

The light comes on while the vehicle speed is controlled by the cruise control system.

Key reminder chime

A chime sounds if the driver side door is opened while the key is left in the ignition switch. Remove the key and take it with you when leaving the vehicle.

Light reminder chime

A chime sounds when the driver side door is opened if the headlights or parking lights are on (ignition switch is turned off).

Turn the headlight control switch off before you leave the vehicle.

Brake pad wear warning

The disc brake pads have audible wear warnings. When a brake pad requires replacement, it makes a high pitched scraping sound when the vehicle is in motion, whether or not the brake pedal is depressed. Have the brakes checked as soon as possible if the warning sound is heard.



## Malfunction indicator light

If the MIL comes on or blinks while the engine is running, it may indicate a potential emission control problem.

### CAUTION


- Continued operation without having the emission control system checked and repaired as necessary could lead to poor driveability, reduced fuel economy, and possible damage to the emission control system which may affect your warranty coverage.
- Although the vehicle is still driveable, see your nearest NISSAN dealer as soon as possible. To avoid system damage, do not drive at speeds above 45 MPH (72 km/h). If possible, avoid hard acceleration or deceleration.

## THEFT WARNING (If so equipped)



The theft warning system provides visual and audio alarm signals if parts of the vehicle are disturbed.

### How to activate the theft warning system

1. Close all windows.
2. Remove the key from the ignition switch.
3. Close all doors, hood and trunk lid. Lock all doors by pressing the  button **on the multi-remote controller**. At this time, the turn signal lights blink twice, indicating all doors are locked.

**The system can be activated even if the windows are open.**

4. Confirm that the SECURITY indicator light in the instrument cluster illuminates.
- The SECURITY light stays on for about 30 seconds and then begins to flash once every three seconds. The system is now activated.

The theft warning system is NOT activated if one of the following occurs:

- The door is unlocked or the ignition key is turned to the ACC or ON position during the 30 seconds in which the SECURITY light stays on.
- The SECURITY light blinks at a steady 1/2 second on - 1/2 second off rate because a door, the trunk, or the hood is open and the key is not in the ACC or ON position. When the ignition key is turned to the ACC or ON position, the SECURITY light turns off.


### Theft warning system operation

The theft warning system emits the following alarm:

- The headlights blink and the horn sounds

## WINDSHIELD WIPER AND WASHER SWITCH


intermittently. In addition, the starter motor does not operate.

- The alarm automatically turns off after 2 to 3 minutes. However, the alarm reactivates if the vehicle is tampered with again. The alarm can be shut off by unlocking a door or trunk lid with the key or by pressing the  button **on the multi-remote controller.**

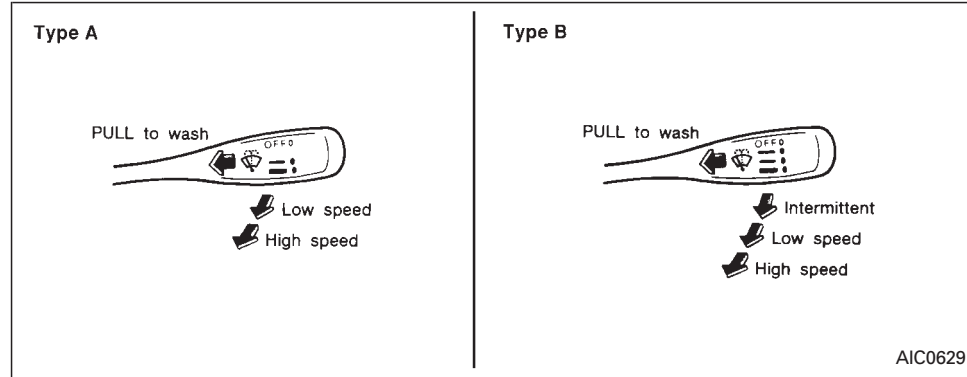
The alarm is activated by:

- opening the door or trunk lid without using the key (even if the door is unlocked by releasing the door inside lock switch) or opening the trunk lid by operating the opener lever.
- opening the hood.

### How to stop the alarm

The alarm stops only by unlocking a door or the trunk lid with the key or by pressing the  button **on the multi-remote controller.** The alarm does not stop if the ignition switch is turned to ACC or ON position.

**If the system does not operate as described above, have it checked by your NISSAN dealer.**



Push the lever down to operate the wiper. Pull the lever toward you to operate the washer. The ignition switch must be in the ON position for the wipers or washer to be activated. Operating the washer automatically cycles the wipers several times.

### CAUTION

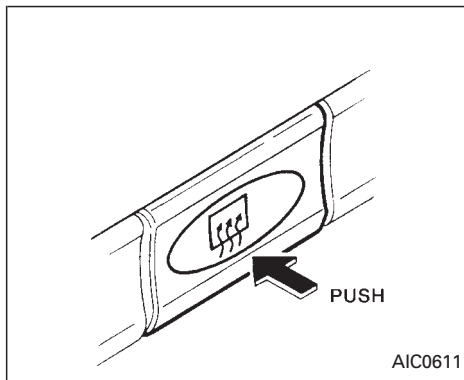
- **Do not operate the washer continuously for more than 30 seconds.**
- **Do not operate the washer if the reservoir tank is empty.**

### WARNING

**In freezing temperatures the washer solution may freeze on the windshield and obscure your vision. Warm the windshield with the defroster before you wash the windshield.**



## REAR WINDOW DEFOGGER SWITCH



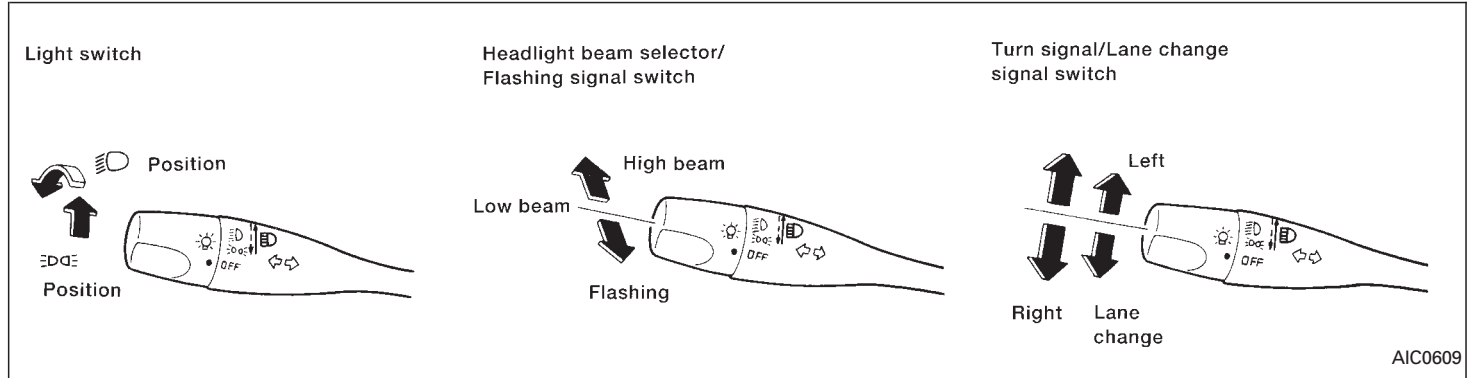
To defog the rear window glass, start the engine and push the rear window defogger switch on. (The indicator light comes on.) Push the switch again to turn the defogger off.

The rear window defogger switch automatically turns off in approximately 15 minutes.


### CAUTION

**When cleaning the inner side of the rear window, be careful not to scratch or damage the electrical conductors.**

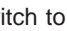
# HEADLIGHT AND TURN SIGNAL SWITCH



## Lighting

Turn the switch to the  position:

The front clearance, tail, license plate and instrument panel lights come on.

Turn the switch to the  position:


The headlights come on and all the other lights remain on.

To select the high beam function, push the lever forward. The high beam lights come on and the indicator light illuminates. Pull it back to select the low beam.

## Passing signal

Pulling and releasing the lever flashes the headlights' high beams on and off.

## Daytime running light system (For Canada)

The headlight high beams illuminate after starting the engine, even if the headlight control switch is in the OFF position. The headlights are not as bright as they are with the headlight switch in the  position.

If the parking brake is applied before the engine is started, the daytime running lights do not illuminate. The daytime running lights

illuminate once the parking brake is released. Thereafter, the daytime running lights do not turn off when using the parking brake at a stop signal, etc.

## WARNING

**When the daytime running light system is active, tail lights on your vehicle are not on. It is necessary at dusk to turn on your headlights. Failure to do so could cause an accident injuring yourself and others.**

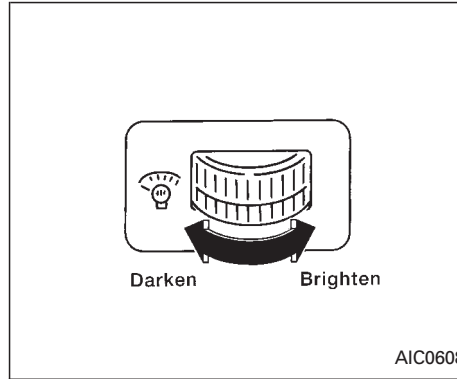
## INSTRUMENT BRIGHTNESS CONTROL

### Turn signal

Move the lever up or down to signal the turning direction. When the turn is completed, the turn signals cancel automatically.

### Lane change signal

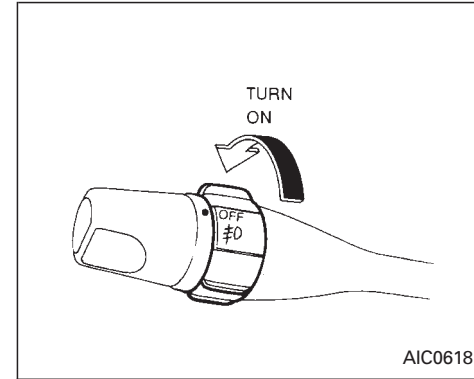
To signal a lane change, move the lever up or down to the point where the indicator light begins to flash, but the lever does not latch.



The instrument brightness control operates when the headlight switch is in the  $\text{☰}$  or  $\text{☱}$  position.

Turn the control to adjust the brightness of instrument panel lights.

## FRONT FOG LIGHT SWITCH (If so equipped)

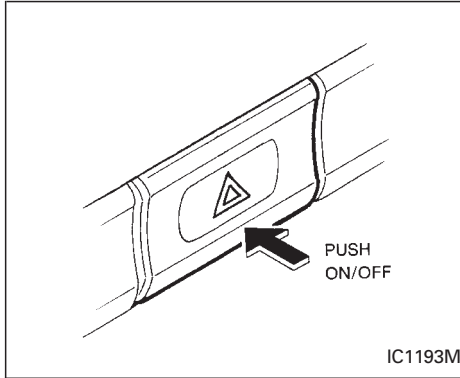


To turn the front fog lights on, rotate the switch to the  $\text{☱}$  position.

To turn them off, turn the switch toward the back of the vehicle to the OFF position.

The low-beam headlight function must be on for the fog lights to operate. The fog lights automatically turn off whenever the high-beam headlight function is selected.

## HAZARD WARNING FLASHER SWITCH



Push the switch on to warn other drivers when you must stop or park under emergency conditions. All turn signal lights flash.

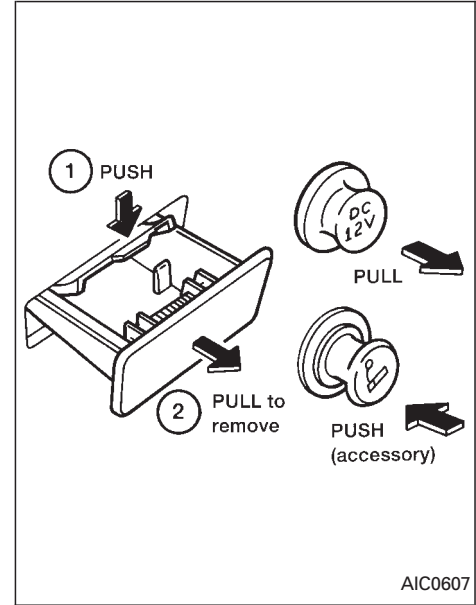
### WARNING

- When stalled or stopped on the roadway under emergency conditions, move the vehicle well off the road.
- Do not use the hazard warning flashers while moving on the highway unless unusual circumstances force you to drive so slowly that your vehicle might become a hazard to other traffic.

- Some state laws may prohibit the use of the hazard warning flasher switch while driving.
- Turn signals do not work when the hazard warning flasher lights are on.

The flashers can be actuated with the ignition switch in either the OFF or ON position.

## CIGARETTE LIGHTER (ACCESSORY) AND ASHTRAY



The cigarette lighter element is an accessory. A genuine NISSAN cigarette lighter or equivalent can be purchased from your local NISSAN dealer.

## CUP HOLDER

The cigarette lighter operates when the ignition switch is in the ACC or ON position.

Push the lighter in all the way. When the lighter is heated, it springs out.

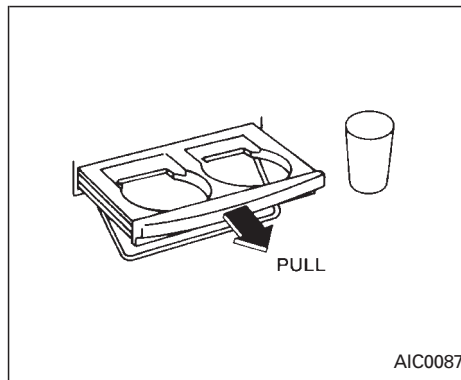
Return the lighter to its original position after use.

### CAUTION

**The cigarette lighter socket is a power source for the cigarette lighter element only. The use of the cigarette lighter socket as a power source for any other accessory is not recommended.**

### WARNING

**The cigarette lighter should not be used while driving in order that full attention may be given to the driving operation.**



To open, pull the cup holder.

To close, push the cup holder in fully.

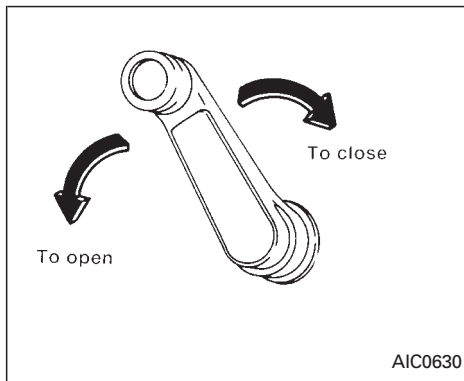
The cup holder and the ashtray cannot be used at the same time. Close the ashtray before using the cup holder.

### WARNING

- **The driver should not pull out the cup holder or remove or insert cups into the cup holder while driving in order that full attention may be given to the driving operation.**

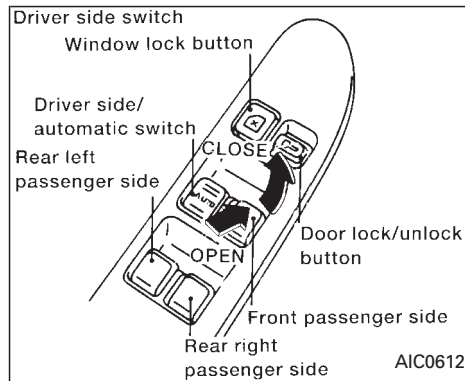
- **Avoid abrupt starting and braking when the cup holder is being used to prevent spilling the drink. If the liquid is hot, it can scald you or your passenger.**

## POWER WINDOWS (If so equipped)



### MANUAL WINDOW OPERATION (If so equipped)

The side windows can be opened or closed by turning the hand crank on each door. To open the window, turn the crank counter-clockwise. To close the window, turn the crank clockwise.

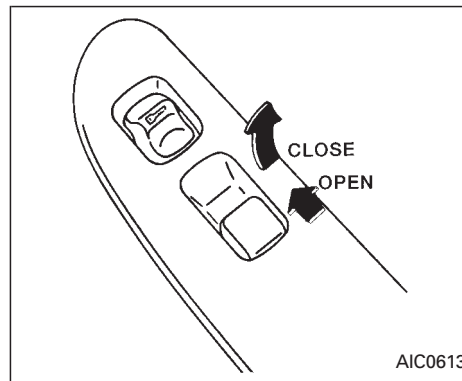


The power windows operate only when the ignition key is in the ON position.

To open the window, lightly tap the driver side button until the desired position is reached. To close the window, lift the switch upward. The driver side control panel is equipped with switches to open or close all the windows.

### Locking passengers' windows

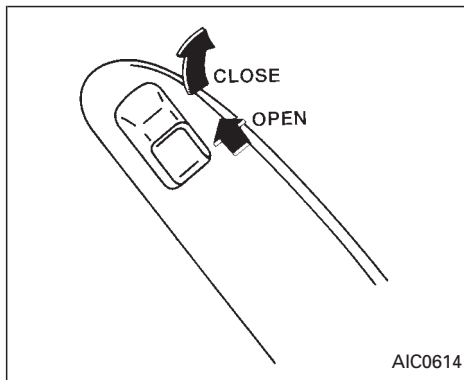
When the window lock button is depressed, only the driver side window can be opened or closed. Push it again to cancel the window lock function.



The passenger side switch opens or closes only the corresponding window. To open the window, push the switch downward. To close the window, lift the switch upward.

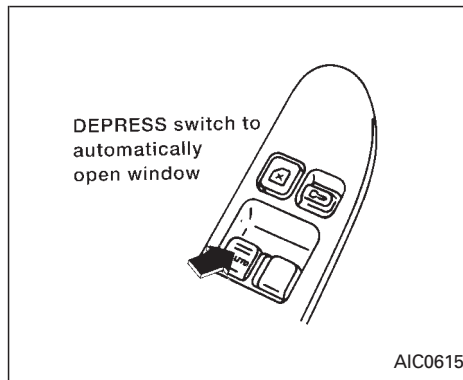
### **⚠ WARNING**

- **Make sure that all passengers have their hands, etc. inside the vehicle before closing the windows.**
- **Do not leave children unattended inside the vehicle. They could unknowingly activate switches.**



### Rear power windows (If so equipped)

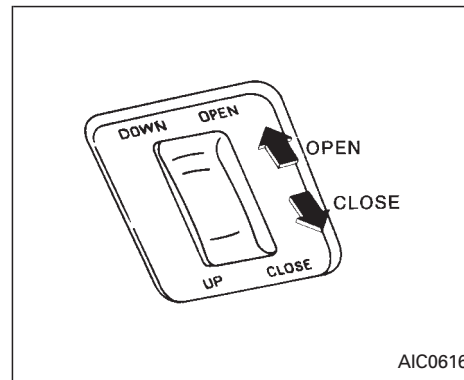
The rear power window switches open or close only the corresponding window. To open the window, push the switch downward. To close the window, lift the switch upward.



### Automatic power window switch

To fully open the driver side window, press the automatic power window switch down and release it; it need not be held. The window automatically opens all the way.

## SUN ROOF (If so equipped)



The sun roof only operates when the ignition key is in the ON position.

### Sliding the sun roof

To open the roof, push the switch toward DOWN/OPEN.

To close the roof, push the switch toward UP/CLOSE.

### Tilting the sun roof

Close the sun roof by pushing the switch toward UP/CLOSE. Continuing to push the UP/CLOSE button tilts the sun roof up.

## INTERIOR LIGHT

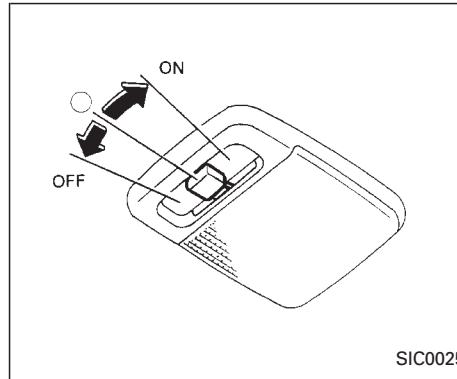
To tilt the sun roof down, push the switch toward DOWN/OPEN. Continuing to push the DOWN/OPEN switch opens the sun roof.

### Sun shade

Open and close the sun shade by sliding it forward or backward.

#### WARNING

- Be extremely careful not to have any part of your body in the sun roof opening while it is closing.
- Do not stand up or extend any portion of your body out of the opening while driving.
- Remove water drops, snow, ice or sand from the sun roof before opening.
- Do not place any heavy object on the sun roof or surrounding area.



The interior light has a three-position switch.

The interior light operates regardless of ignition key position.

- When the switch is in the OFF position, the interior light does not illuminate, regardless of door position.
- When the switch is in the center ○ position, the interior light illuminates when a door is opened.
- When the switch is in the ON position, the interior light illuminates, regardless of door position.

NOTE: Leaving the interior light switch in the ON position for extended periods of time results in a discharged battery.

### TRUNK LIGHT (If so equipped)

The light illuminates when the trunk lid is opened. When the trunk lid is closed, the light goes off. For bulb replacement procedures, refer to “Bulb replacement” in the “Do-it-yourself operations” section.

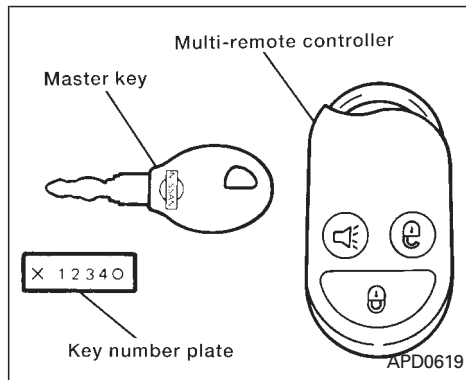


**MEMO**

## 2 Pre-driving checks and adjustments

Key .....	2-2
Door locks .....	2-2
Multi-remote control system (If so equipped) .....	2-4
Child safety rear door lock .....	2-7
Hood release .....	2-8
Glove box .....	2-9
Trunk lid lock operation .....	2-9
Fuel filler lid lock operation .....	2-11
Front Seats .....	2-13
Supplemental restraint system	
(Air bag system) (If so equipped) .....	2-15
Warning labels (If so equipped) .....	2-20
Air bag warning light (If so equipped) .....	2-20
Seat belts .....	2-22
Child restraints for infants and small children .....	2-28
Tilting steering wheel .....	2-34
Outside mirror control .....	2-34
Inside mirror .....	2-35
Vanity mirror (If so equipped) .....	2-35

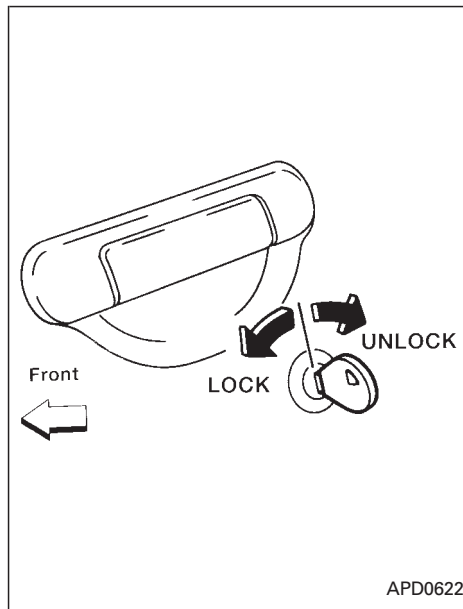
## KEY



A key number plate is supplied with your key. Record the key number that is on the key number plate and keep it in a safe place (such as your wallet), **NOT IN THE CAR**. If you lose your keys, see your NISSAN dealer for duplicates by using the key number. NISSAN does not record key numbers so it is very important to keep track of your key number plate.

A key number is only necessary when you have lost all keys and do not have one to duplicate from. If you still have a key, this key can be duplicated by your NISSAN dealer or a locksmith shop.

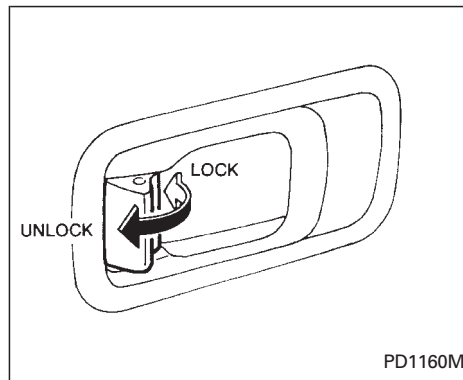
## DOOR LOCKS



### Locking front door with key

To lock the door, turn the key towards the front of the vehicle.

To unlock, turn it towards the rear.



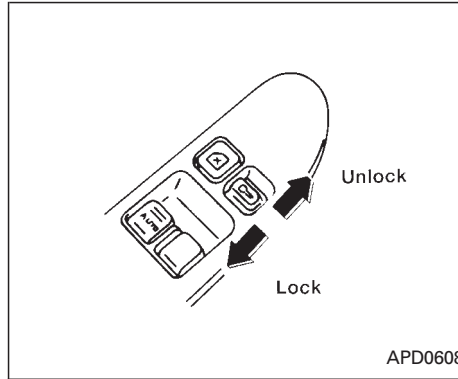
### Locking the door without key

To lock the door from the outside without a key, move the inside lock knob to the Lock position, then close the door.

When locking the door this way, be certain not to leave the key inside the vehicle.

**⚠ WARNING**

- Always have the doors locked while driving. Along with the use of seat belts, this provides greater safety in the event of an accident by helping to prevent persons from being thrown from the vehicle. This also helps keep children and others from unintentionally opening the doors, and will help keep out intruders.
- Before opening any door, always look for and avoid oncoming traffic.



**POWER DOOR LOCK  
(If so equipped)**

Moving the door lock/unlock button toward the rear of the vehicle on the driver's door armrest locks all doors. Moving the door lock/unlock button toward the front of the vehicle unlocks all doors.

**⚠ WARNING**

- Before opening the door, always look for and avoid oncoming traffic.

- Do not leave children unattended in a locked vehicle. They may inadvertently activate switches.

## MULTI-REMOTE CONTROL SYSTEM

(If so equipped)

It is possible to lock/unlock all doors, turn the interior light on or off, and activate the panic alarm by using the remote controller from outside the car.

**Be sure to remove the key from the vehicle before locking the doors and leaving it.**

The remote controller can operate at a distance of approximately 49 ft (15 m) from the vehicle. (The effective distance depends upon the conditions around the vehicle.)

As many as four remote controllers can be used with one vehicle. For information concerning the purchase and use of additional remote controllers, contact your NISSAN dealer.





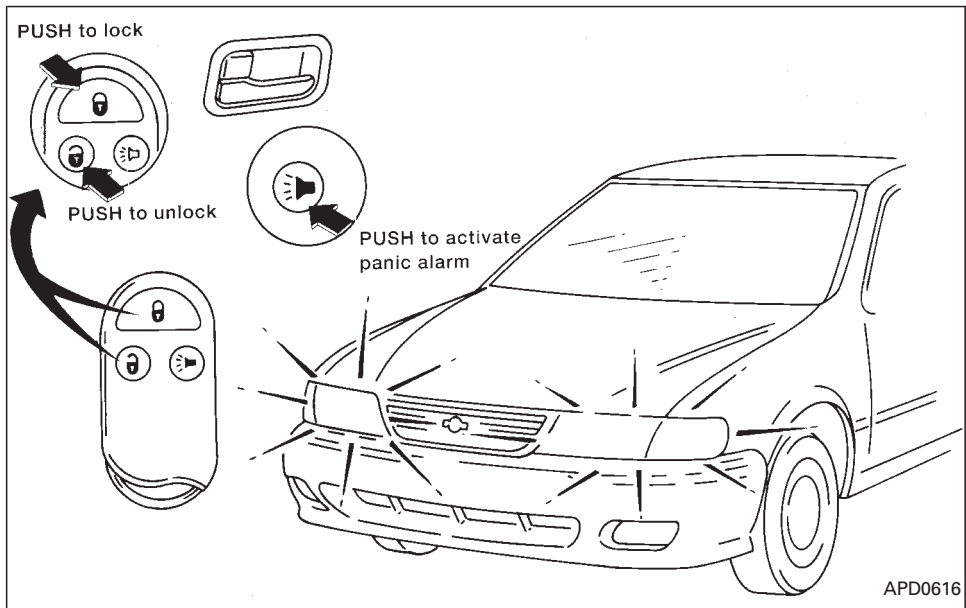
### CAUTION:

**Listed below are conditions or occurrences which will damage the remote controller:**

- Do not allow the remote controller to become wet.
- Do not drop the remote controller.
- Do not strike the remote controller sharply against another object.
- Do not place the remote controller for an extended period in an area where temperatures exceed 140°F (60°C).

### Locking doors





1. Close all the doors.
  2. Push the  button on the multi-remote controller.
  3. All the doors lock.
  4. The hazard indicators flash twice.
- When the  button is pushed with all doors locked, the hazard indicators flash twice as a reminder that the doors are already locked.





into the ignition or by locking the doors with the multi-remote controller.

### Using the panic alarm

If you are near your vehicle and feel threatened, you may activate the alarm to call attention as follows:

1. Push the  button on the remote controller for **longer than 1.5 seconds**.
2. The theft warning alarm and headlights stay on for 30 seconds.
3. The alarm stops when any of the key functions are used. For example, when the  or the  button is pushed, or the  button is pushed for longer than 1.5 seconds on the multi-remote controller, the panic alarm function is cancelled.

### Unlocking doors

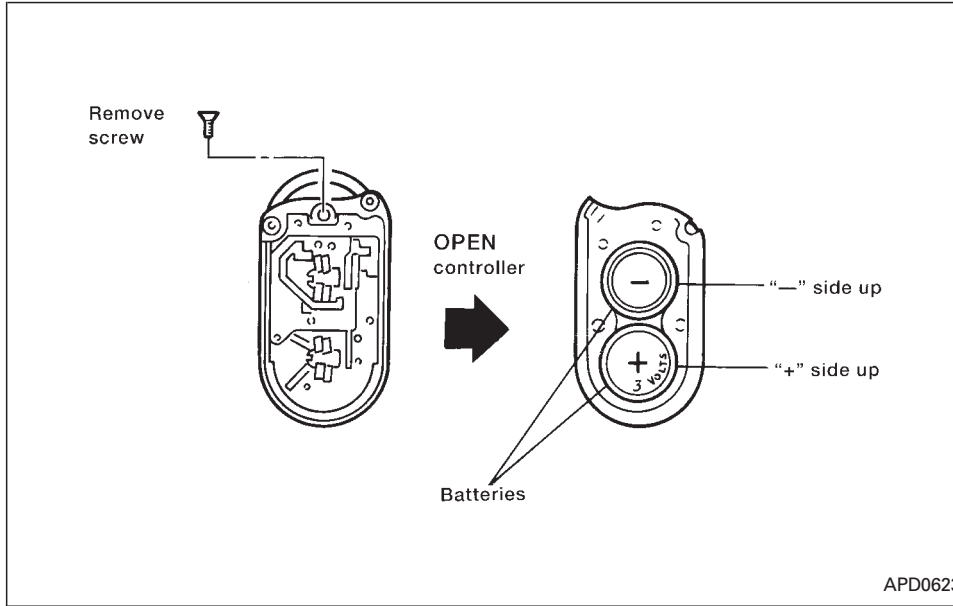
1. Push the  button on the multi-remote controller. Only the driver side door unlocks.
2. Push the  button on the multi-remote

controller again within 5 seconds. The passenger doors unlock.

3. The interior light stays on for 30 seconds.

The interior light can be turned off without waiting for 30 seconds by inserting the key



# BATTERY REPLACEMENT



Replace the two batteries as follows:

1. Remove the screw and open the lid.
2. Replace the batteries with new ones. Insert the batteries as illustrated above.

Recommended batteries: Sanyo CR2016 or equivalent.

3. Close the lid securely and install the screw.
4. Press the  button, then the  button

two or three times to check the multi-remote controller operation.

**If the batteries are removed for any reason other than replacement, perform step 4 above.**

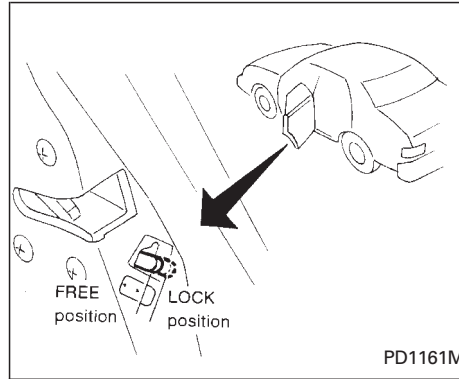
- An improperly disposed battery can hurt the environment. Always confirm local regulations for battery disposal.
- The multi-remote controller is water-resistant; however, if it does get wet, immediately wipe completely dry.
- The operational range of the multi-remote controller extends to approximately 49 ft (15 m) from the vehicle. This range may vary with conditions.

## FCC Notice:

This device complies with FCC rules part 15. Operation is subject to the following two conditions: (1) This device may not cause harmful interference and (2) This device must accept any interference that may be received, including interference that may cause undesired operation.

The transmitter has been tested and complies with FCC and DOC/MDC rules. Changes or modifications not expressly

approved by the party responsible for compliance could void the user's authority to operate the device.



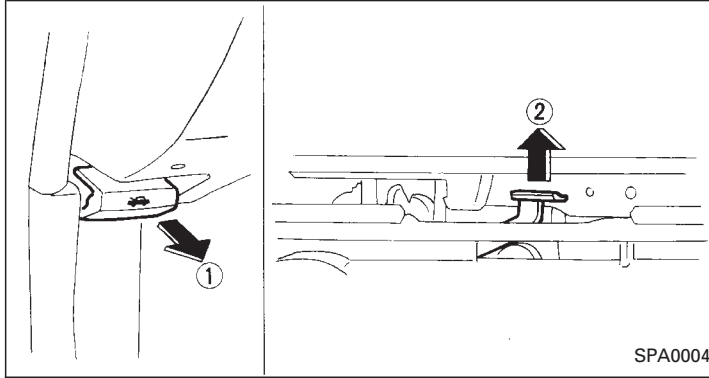
### CHILD SAFETY REAR DOOR LOCK (4-door only)

Child safety locks help prevent doors from being opened accidentally, especially when small children are in the vehicle.

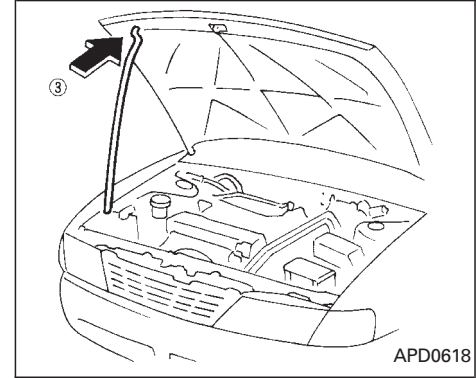
The child safety lock levers are located on the edge of the rear doors. When the lever is in the lock position, the rear door can be opened only from the outside.



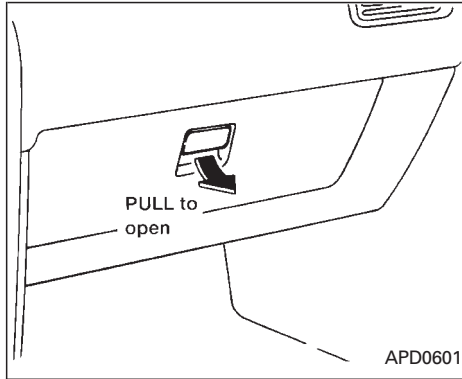
## HOOD RELEASE



1. Pull the hood lock release handle ① located below the instrument panel. The hood springs up slightly.
2. Pull up on the lever ② at the front of the hood with your fingertips and raise the hood.
3. Insert the support rod into the slot marked with the arrow on the underside of the hood.
4. When closing the hood, reset the support rod to its original position, lower the hood to approximately 12 inches above the latch and release it. This allows proper engagement of the hood latch.



## GLOVE BOX

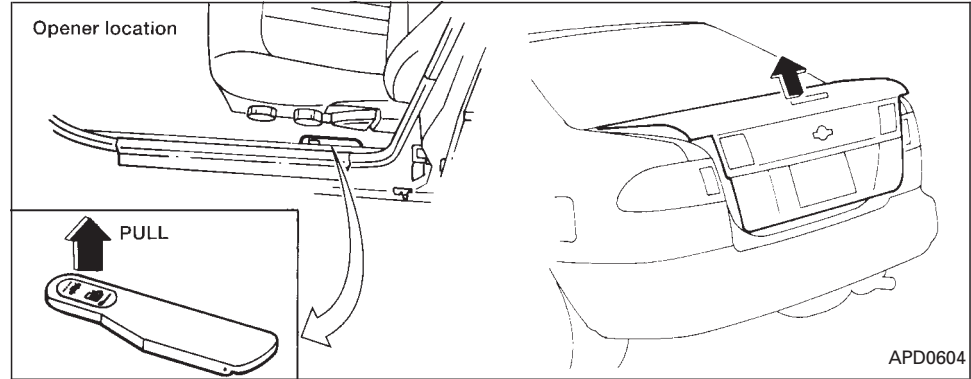


Open the glove box by pulling the handle.

### **WARNING**

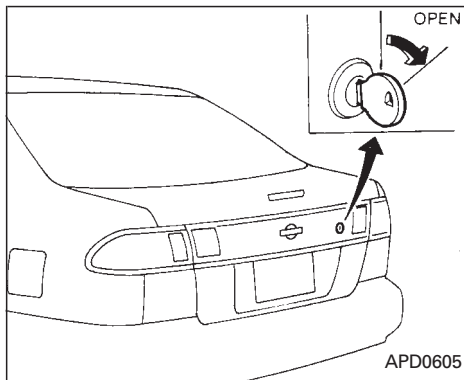
**Keep glove box lid closed while driving to prevent injury in an accident or a sudden stop.**

## TRUNK LID LOCK OPERATION



### Opener lever operation (If so equipped)

The trunk lid opener lever is located on the outside of the driver's seat. To open the trunk lid, pull up the opener lever. To close, push the trunk lid securely.

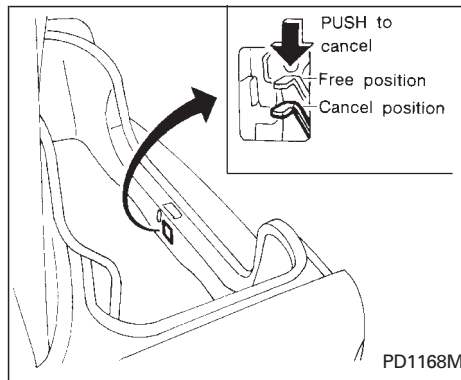


### Key operation

To open the trunk lid from outside the vehicle, turn the key clockwise. To close, lower and push the trunk lid down securely.

#### **WARNING**

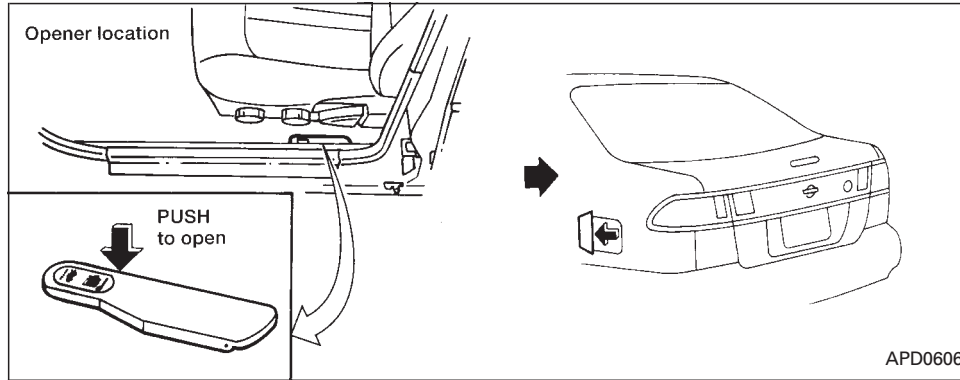
**Do not drive with the trunk lid open. This could allow dangerous exhaust gases to be drawn into the vehicle.**



### OPENER CANCEL LEVER FOR TRUNK LID

When the lever is in the CANCEL (down) position, the trunk lid cannot be opened with the trunk lid opener lever. It can be opened only with the key.

## FUEL FILLER LID LOCK OPERATION

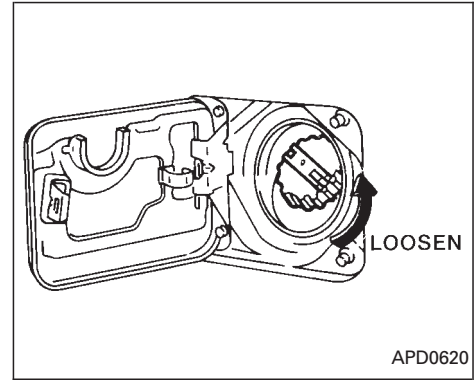


### Opener lever (If so equipped)

To open the fuel filler lid, push the opener lever down. To lock, close the fuel filler lid securely.

### Manual Fuel Filler Lid

Open the fuel filler lid by lifting the raised portion of the fuel filler lid.



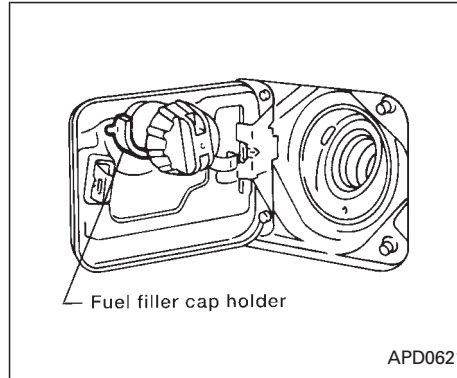
### FUEL FILLER CAP

The fuel filler cap is a screw-on ratcheting type. Tighten the cap clockwise until ratcheting clicks are heard.

#### **⚠ WARNING**

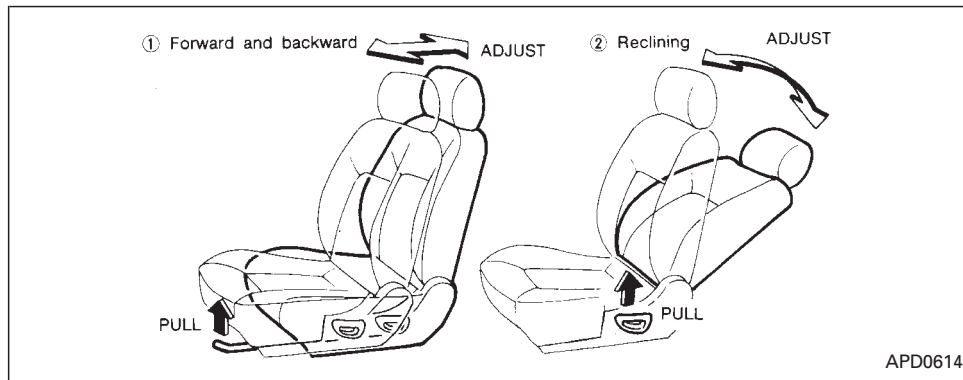
- **Gasoline is extremely flammable and highly explosive under certain conditions. Always stop the engine and do not smoke or allow open flames or sparks near the vehicle when refueling.**

- Fuel may be under pressure. Turn the cap one-half turn and wait for any “hissing” sound to stop to prevent fuel from spraying out and possibly causing personal injury. Then remove the cap.
- Use only a genuine NISSAN fuel filler cap as a replacement. It has a built-in safety valve needed for proper operation of the fuel system and emission control system. An incorrect cap can result in a serious malfunction and possible injury.



Put the fuel filler cap on the cap holder while refueling.

## FRONT SEATS



### SEAT ADJUSTMENT

#### **⚠ WARNING**

- **Do not adjust the driver's seat while driving. The seat may move suddenly and could cause loss of control of the vehicle.**
- **After adjustment, gently rock in the seat to make sure it is securely locked.**

#### ① Forward and backward

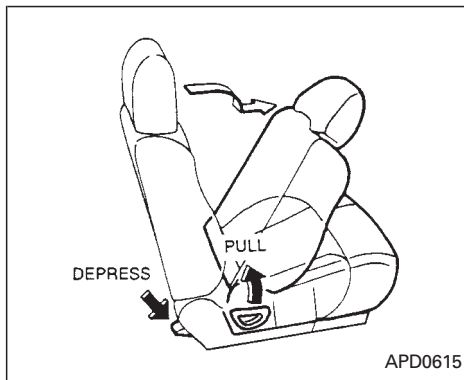
Pull the lever up while you slide the seat forward or backward to the desired position. Release the lever to lock the seat in position.

#### ② Reclining

Pull the lever up and lean back until the desired angle is obtained. To bring the back of the seat forward again, pull the lever and move your body forward. The seatback moves forward.

#### **⚠ WARNING**

**Do not recline the seatback any more than is needed for comfort when the vehicle is moving. Seat belts are most effective when the occupant sits well back and upright in the seat. If the seat is reclined, the risk of sliding under the lap belt and being injured is increased.**



## TILTING FRONT SEAT (2-door model)

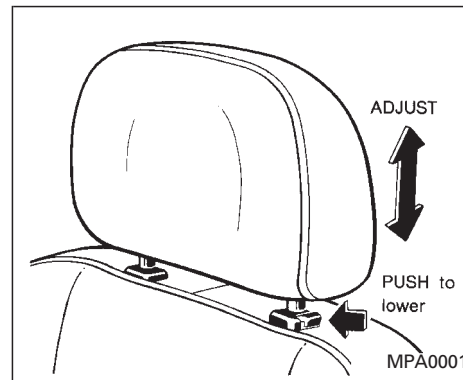
The front passenger's seat can be tilted to make it easier for the rear seat passengers to get in and out.

To tilt the front seatback forward, pull the reclining lever up or depress the tilt lever. The seat back tilts and the seat moves forward automatically. Some models require the seat to be pushed forward.

To return the seat to its original position, push the seatback up and move the whole seat backward until it locks.

### CAUTION

When returning the seat to its original position, check that the seat and seatback are properly locked.



## HEAD RESTRAINTS

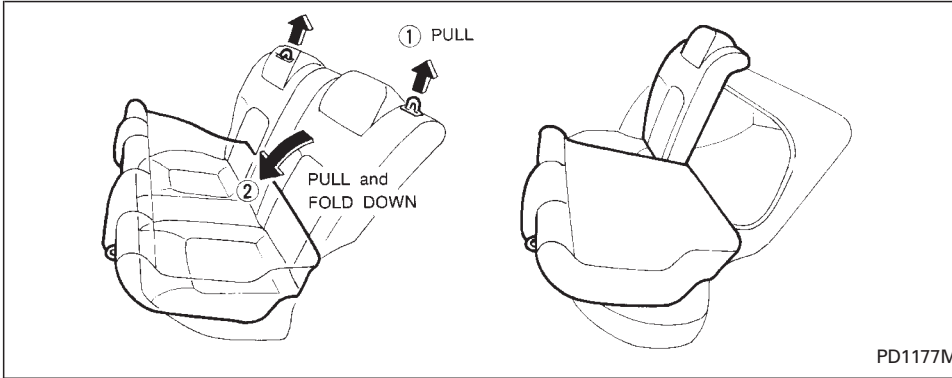
Adjust the head restraints so the top is level with the top of your ears.

To raise the head restraint, simply pull it up. To lower, push the lock knob and push the head restraint down.

### WARNING

Head restraints should be adjusted properly as they may provide significant protection against whiplash injury. Do not remove them.

## SUPPLEMENTAL RESTRAINT SYSTEM (AIR BAG SYSTEM)



### REAR SEAT

#### Interior trunk access (If so equipped)

The trunk can be readily accessible from the rear seat for loading and unloading, as shown.

- When returning the seatbacks to the upright position, be certain they are completely secured in the latched position.

#### WARNING

**Never allow anyone to ride in the luggage area or on the rear seat when it is in the fold-down position. Use of these areas by passengers without proper restraint can be extremely dangerous in an accident or sudden stop.**

This Supplemental Restraint System section contains important information concerning the driver and passenger air bags. The Supplemental Restraint System Air Bag can help reduce impact force to the driver and to the front passenger in certain frontal collisions. The air bags are designed to **supplement** the crash protection provided by the driver and front passenger seat belts and are **not a substitute** for them. The seat belts should always be correctly worn and the driver and front passenger seated a suitable distance from the steering wheel and instrument panel. (See “Seat belts” for instructions and precautions on seat belt usage.)

#### NOTE:

For Canada, some vehicles are not equipped with a Supplemental Air Bag System.

Your vehicle may not have a Driver and Passenger-side Supplemental Air Bag.

If your vehicle is not equipped with a Supplemental Air Bag System, it **will not have** the following equipment:

- Supplemental Air Bag Warning Light (see “Supplemental Air Bag Warning Light” later in this section).



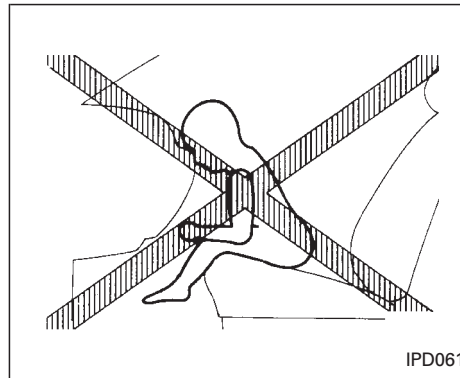
- Driver Supplemental Air Bag (see “Meters and Gauges” in the “Instruments and controls” section).
- Passenger-side Supplemental Air Bag (see “Meters and Gauges” in the “Instruments and controls” section).
- Supplemental Restraint System Warning Labels (see “Warning Labels” later in this section).

Every person who drives or rides in this vehicle should use a seat belt at all times. Children should be in appropriate child restraints (see “Seat belts” and “Child Restraints for Infants and Small Children” later in this section).

**The supplemental air bags operate only when the ignition switch is in the ON or START position.**

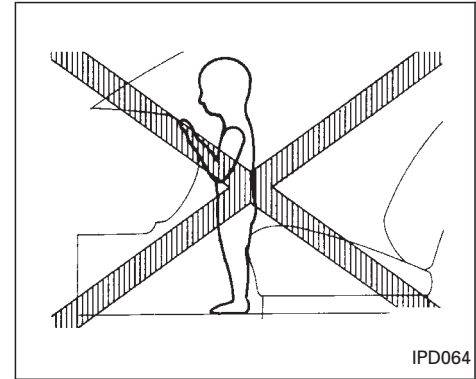
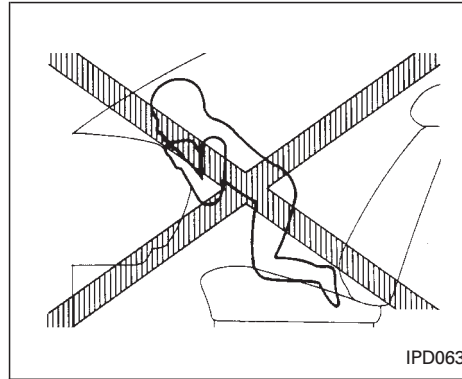
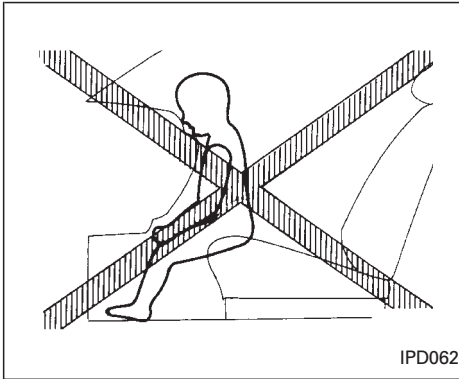
**⚠ WARNING**

**The supplemental air bags ordinarily will not inflate in the event of a side impact, rear impact, roll over, or lower severity frontal collision; so always wear your seat belts to help reduce the risk or severity of injury in various kinds of accidents.**



**⚠ WARNING**

**The seat belts and the air bags are most effective when you are sitting back and upright in the seat. Air bags inflate with great force. If you are unrestrained, leaning forward, sitting sideways or out of position in any way, you are at greater risk of injury or death in a crash and may also receive serious or fatal injuries from the air bag if you are up against it when it inflates. Always sit back against the seatback and use the seatbelts.**

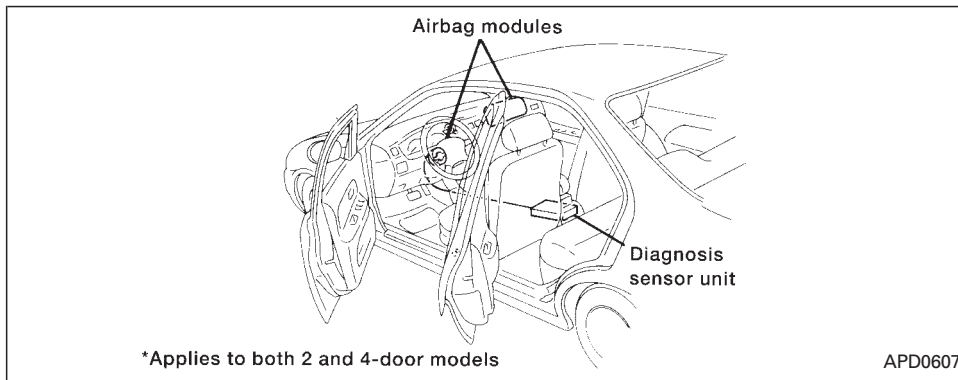


**⚠ WARNING**

**Never let children ride unrestrained as shown in the previous illustrations.**

**Children may be severely injured or killed when the air bag inflates if they are not properly restrained.**

**Also, never install a rear-facing child restraint in the front seat. See “Child restraints for infants and small children” for details.**



## Air bag system (If so equipped)

The driver air bag is located in the center of the steering wheel; the front passenger air bag is mounted in the dashboard above the glove box. The supplemental air bag system is designed to inflate in higher severity frontal collisions, although it may inflate if the forces in another type of collision are similar to those of a higher severity frontal impact. It may not inflate in certain frontal collisions. Vehicle damage (or lack of it) is not always an indication of proper air bag operation.

When the supplemental air bag inflates, a

fairly loud noise may be heard, followed by the release of smoke. This smoke is not harmful and does not indicate a fire, but care should be taken to not intentionally inhale it, as it may cause irritation and choking. Those with a history of breathing trouble should get fresh air promptly.

The supplemental air bags, along with the use of the seat belts, help to cushion the impact force on the face and chest of the occupant. They can help save lives and reduce serious injuries. However, an inflating air bag may cause facial abrasions or other injuries. Air bags do not provide re-

straint to the lower body.

The seat belts should be correctly worn and the driver and passenger be seated upright as far as practical away from the steering wheel or dashboard. Since the air bag inflates quickly in order to help protect the occupant, the force of the air bag inflating can increase the risk of injury if the occupant is too close to or is against the air bag module during inflation.

The supplemental air bag deflates quickly after a collision.

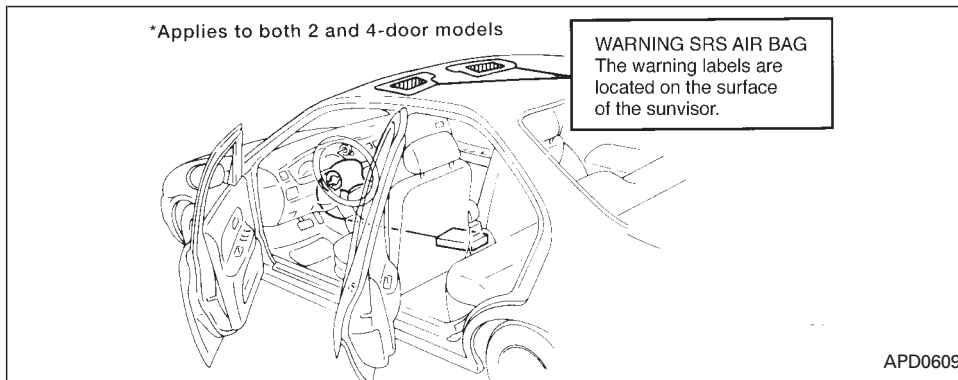
**The supplemental air bags operate only when the ignition switch is in the ON or START position.**

### WARNING

- **Right after inflation, several supplemental air bag system components will be hot. Do not touch them; you may severely burn yourself.**
- **No unauthorized changes should be made to any components or wiring of the supplemental air bag system. This is to prevent accidental inflation of the supplemental air bag or damage to the supplemental air bag system.**

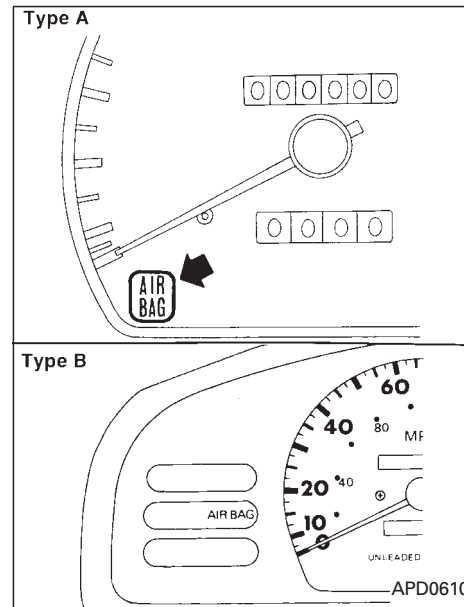
- Tampering with the supplemental air bag system may result in serious personal injury. Tampering includes changes to the steering wheel and the instrument panel assembly by placing material over the steering wheel pad and above the instrument panel, or by installing additional trim material around the supplemental air bag system.
- Do not attach any objects to the steering wheel pad and to the instrument panel. Also, do not place any objects between any occupant and the steering wheel or instrument panel. Such objects may become dangerous projectiles and cause injury if the air bag inflates.
- Work around and on the supplemental air bag system should be done by an authorized NISSAN dealer. Installation of electrical equipment should also be done by an authorized NISSAN dealer. The yellow SRS wiring should not be modified or disconnected. Unauthorized electrical test equipment and probing devices should not be used on the supplemental air bag system.

## WARNING LABELS (If so equipped)



Warning labels about the supplemental air bag system are placed in the vehicle as shown in the illustration.

## AIR BAG WARNING LIGHT (If so equipped)



The supplemental air bag light, displaying AIR BAG in the instrument panel, monitors the circuits of the air bag. The circuits monitored by the air bag light are the diagnosis sensor unit, air bag modules and all related wiring.

When the ignition key is in the ON or START position, the supplemental air bag warning light illuminates for about 7 seconds and then turns off. This means the system is operational.

If any of the following conditions occur, the supplemental air bag needs servicing:

1. The supplemental air bag light does not come on and remain on for 7 seconds and then go off as described above.
2. The supplemental air bag light flashes intermittently or remains on.
3. The supplemental air bag light does not come on at all.

Under these conditions, the Supplemental Restraint System Air Bag does not operate properly. It must be checked and repaired. Take your vehicle to the nearest authorized NISSAN dealer.

### Repair and replacement procedure

The supplemental air bag system is designed to inflate on a one-time-only basis. As a reminder, unless it is damaged, the supplemental air bag light remains illuminated after inflation has occurred. Repair and replacement of the supplemental air

bag system should be done only by an authorized NISSAN dealer.

**To ensure long-term functioning, the system must be inspected 10 years after the date of manufacture as noted on the certification label located on the driver side front pillar.**

When maintenance work is required on the vehicle, the supplemental air bag system and related parts should be pointed out to the person conducting the maintenance. The ignition key must always be in the LOCK position when working under the hood or inside the vehicle.

#### WARNING

- **Once the supplemental air bag inflates, the supplemental air bag module will not function again and must be replaced. The supplemental air bag module cannot be repaired.**
- **After a supplemental air bag inflates, the front instrument panel assembly should be replaced by your NISSAN dealer if damaged.**

- **The supplemental air bag system should be inspected by an authorized NISSAN dealer if there is any damage to the front end portion of the vehicle or if the air bag has inflated.**
- **When selling your vehicle, we request that you inform the buyer about the supplemental air bag system and guide the buyer to the appropriate sections in this Owner's Manual.**
- **If you need to dispose of the supplemental air bag or scrap the vehicle, contact an authorized NISSAN dealer. Correct supplemental air bag disposal procedures are set forth in the appropriate NISSAN Service Manual. Incorrect disposal procedures could cause personal injury.**

# SEAT BELTS

## PRECAUTIONS ON SEAT BELT USAGE

Your chances of being injured or killed in an accident and/or the severity of injury may be greatly reduced if you are wearing your seat belt and it is properly adjusted. NISSAN strongly encourages you and all of your passengers to buckle up every time you drive, even if your seating position includes an air bag.

**Some states, provinces or territories require that seat belts be worn at all times when a vehicle is being driven.**

### WARNING

- Every person who drives or rides in this vehicle should use a seat belt at all times. Children should be in appropriate child restraints.
- The belt should be properly adjusted to a snug fit. Failure to do so will reduce the effectiveness of the entire restraint system and increases the chances or severity of injury in an accident.

- Do not wear the belt inside out or twisted. Be sure the seat belt tongue is securely fastened to the proper buckle.
- Do not allow more than one person to use the same belt.
- All seat belt assemblies including retractors and attaching hardware should be inspected after any collision at your NISSAN dealer. NISSAN recommends that all seat belt assemblies in use during a collision be replaced unless the collision was minor and the belts show no damage and continue to operate properly. Seat belt assemblies not in use during a collision should also be inspected and replaced if either damage or improper operation is noted.
- Never carry more people in the vehicle than there are seat belts.
- If the seat belt warning lamp glows continuously while the ignition is turned ON with all doors closed and all seat belts fastened, it may indicate a malfunction in the system. Have the system checked by your NISSAN dealer.

- Be sure to observe the following precautions when using seat belts. Failure to do so could increase the chance and/or severity of injury in an accident.
- Always route the shoulder belt over your shoulder and across your chest. Never run the belt under your arm or across your neck. The belt should be away from your face and neck, but not falling off your shoulder.
- Position the lap belt as low as possible AROUND THE HIPS, NOT THE WAIST.
- Serious injury or death can occur if seat belt is not worn properly.

## CHILD SAFETY

**Children need adults to help protect them.**

All U.S. states and provinces of Canada require the use of approved child restraints for infants and small children. (See "Child Restraints for Infants and Small Children" later in this section.)

In addition, there are many types of child restraints available for larger children which

should be used for maximum protection.

### Infant or small child

NISSAN recommends that infants or small children be placed in child restraint systems that comply with Federal Motor Vehicle Safety Standards or Canadian Motor Vehicle Safety Standards. You should choose a child restraint system which fits your vehicle and always follow the manufacturer's instructions for installation and use.

### Children

Children who are too large for child restraint systems should be seated and restrained by the seat belts which are provided.

NISSAN recommends that children sit in the rear seat if possible. According to accident statistics, children are safer when properly restrained in the rear seat than in the front seat.

If the child's seating position has a shoulder belt that fits close to the face or neck, the use of a booster seat (commercially available) may help overcome this. The booster seat should raise the child so that the shoulder belt is properly positioned across the top, middle portion of the shoulder and the lap

belt is low on the hips. The booster seat should fit the vehicle seat and have a label certifying that it complies with Federal Motor Vehicle Safety Standards or Canadian Motor Vehicle Safety Standards. Once the child has grown enough so the shoulder belt is no longer on or near the face and neck, use the shoulder belt without the booster seat.

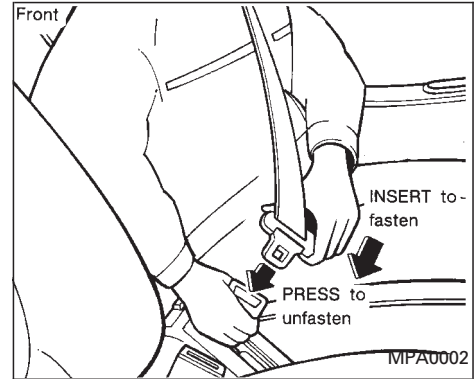
**Never let a child stand or kneel on any seat and do not allow a child in the cargo areas while the vehicle is moving.**

### Pregnant women

NISSAN recommends that pregnant women use seat belts. Contact your doctor for specific recommendations. The lap belt should be worn snug and positioned as low as possible around the hips, not the waist.

### Injured persons

NISSAN recommends that injured persons use seat belts. Check with your doctor for specific recommendations.



### 3-POINT TYPE WITH RETRACTOR

#### **⚠ WARNING**

**Every person who drives or rides in this vehicle should wear a seat belt at all times.**

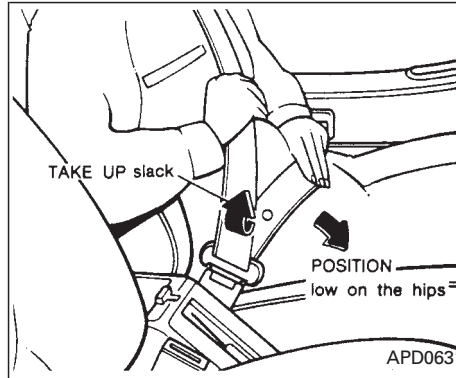
### Fastening the belts

1. Adjust the seat.



**⚠ WARNING**

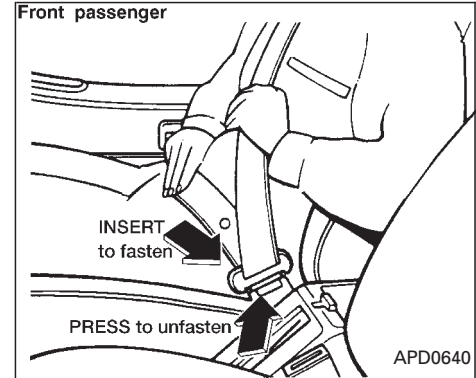
The seatback should not be reclined any more than needed for comfort. Seat belts are most effective when the passenger sits well back and straight up in the seat. If the seat is reclined, the risk of sliding under the lap belt and being injured is increased.



2. Slowly pull the seat belt out of the retractor and insert the tongue into the buckle until it snaps.

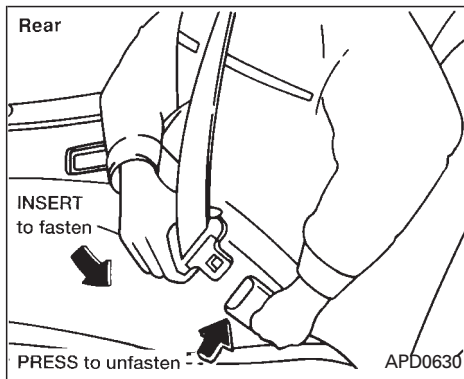
**The retractor is designed to lock during a sudden stop or on impact. A slow pulling motion permits the belt to move, and allows you some freedom of movement in the seat.**

3. Position the lap belt portion **low on the hips** as shown.
4. Pull the shoulder belt portion toward the retractor to take up extra slack.



The front seat passenger side seat belt and rear 3-point seat belts have a cinching mechanism for child seat installation. It is referred to as the automatic locking mode.

When the cinching mechanism is activated the seat belt cannot be withdrawn again until the seat belt tongue is detached from the buckle and fully retracted. Refer to "Child Restraints for Infants and Small Children" later in this section for more information.

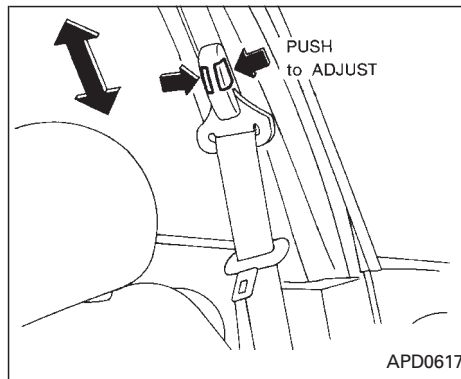


**⚠ WARNING**

**The automatic locking mode should be used only for child seat installation. During normal seat belt use by a passenger, the locking mode should not be activated. If it is activated it may cause uncomfortable seat belt tension.**

### Unfastening the belts

To unfasten the belt, press the button on the buckle. The seat belt automatically retracts.



### Shoulder belt height adjustment (For front seats) (If so equipped)

The shoulder belt anchor height should be adjusted to the position best for you. (See “Precautions on Seat Belt Usage”.) To adjust, press both release buttons and move it to the desired position so the belt passes over the center of the shoulder. The belt should be away from your face and neck, but not falling off of your shoulder.

**⚠ CAUTION**

**After adjustment, release the button and check that it does not move up and down to make sure the shoulder belt anchor is securely fixed in position.**

### Checking seat belt operation (3-point type with retractor)

Your seat belt retractors are designed to lock belt movement by two separate methods:

- 1) When the belt is pulled quickly from the retractor.
- 2) When the vehicle slows down rapidly.

To increase your confidence in the belts, check the operation as follows:

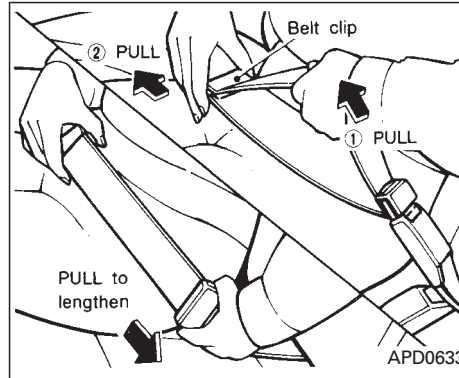
- Grasp the shoulder belt and pull forward quickly. The retractor should lock and restrict further belt movement.

If the retractor does not lock during this check or if you have any question about belt operation, see your NISSAN dealer.

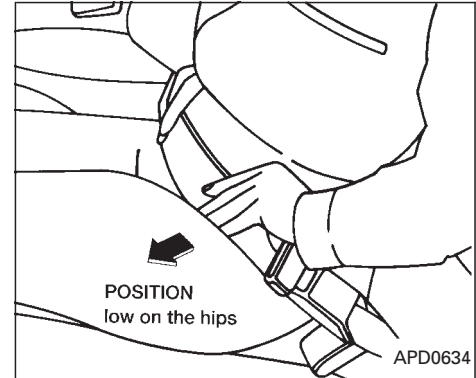
## 2-POINT TYPE WITHOUT RETRACTOR (rear center lap belt)

### Fastening the belts

1. Insert the tongue into the buckle until it snaps. Both the tongue and the buckle are marked CENTER.



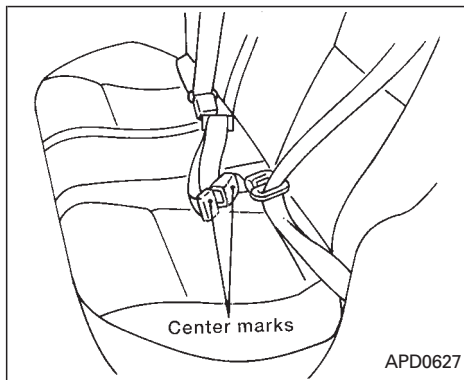
2. To lengthen, hold the tongue at a right angle to the belt and pull on the belt. To shorten, pull the end of the belt attached to the belt clip away from the tongue, then pull the belt clip to take up the slack.



3. Position the lap belt **low on the hips** as illustrated.

### Unfastening the belts

To unfasten the belt, press the button on the buckle.



## Selecting correct set of belts

The center seat belt buckle and tongue are identified by the CENTER label. The center seat belt tongue can be fastened **only** into the center seat belt buckle.

## SEAT BELT EXTENDERS

If, because of body size or driving position, it is not possible to properly fit the lap-shoulder belt and fasten it, an extender is available which is compatible with the installed seat belts. The extender adds approximately 8 inches (200 mm) of length and may be used for either the driver or front passenger seating position. See your NISSAN dealer for assistance if the extender is required.

### WARNING

- **Only NISSAN belt extenders, made by the same company which made the original equipment belts, should be used with NISSAN belts.**
- **Persons who can use the standard seat belt should not use an extender. Such unnecessary use could result in serious personal injury in the event of an accident.**

## SEAT BELT MAINTENANCE

- **To clean the belt webbings**, apply a mild soap solution or any solution recommended for cleaning upholstery or carpets. Then brush the webbing, wipe it with a cloth and allow it to dry in the shade. Do not allow the belts to retract until they are completely dry.
- **Periodically check to see that the belt and metal components**, such as buckles, tongues, retractors, flexible wires and anchors, work properly. If loose parts, deterioration, cuts or other damage on the webbing is found, the entire belt assembly should be replaced.

## CHILD RESTRAINTS FOR INFANTS AND SMALL CHILDREN

### WARNING

Infants and small children should **always** be placed in an appropriate child restraint while riding in the vehicle. Failure to use a child restraint can result in serious injury or death.

**Children and infants should never be carried on your lap. It is not possible for even the strongest adult to resist the forces of a severe accident. The child could be crushed between the adult and parts of the vehicle. Also, do not put the same seat belt around both your child and yourself.**

In general, child restraints are designed to be installed with a lap belt or the lap portion of a three-point type seat belt.

Nissan recommends that the child restraint system be installed in the rear seat. According to accident statistics, children are safer when properly restrained in the rear seat than in the front seat.

An improperly installed child restraint could lead to serious injury or death in an accident.

Child restraints specially designed for infants and small children are offered by several manufacturers. When selecting any child restraint, keep the following points in mind:

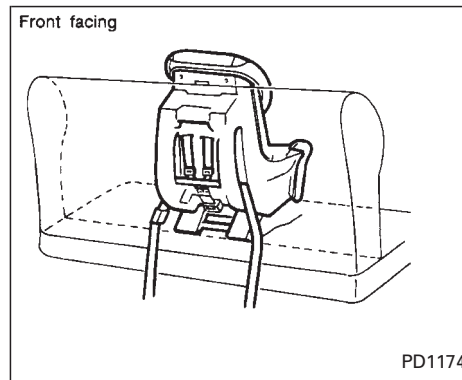
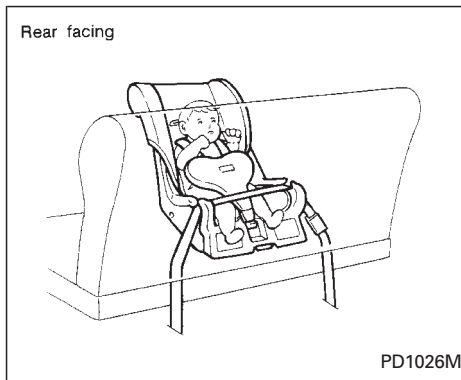
- 1) Choose only a restraint with a label certifying that it complies with Federal Motor Vehicle Safety Standard 213 or Canadian Motor Vehicle Safety Standard 213.
- 2) Check the child restraint in your vehicle to be sure it is compatible with the vehicle's seat belt system.
- 3) If the child restraint is compatible with your vehicle, place your child in the child restraint and check the various adjustments to be sure the child restraint is compatible with your child. Always follow all recommended procedures.

### WARNING

- **Never install a rear-facing child restraint in the front seat. A rear-facing child restraint must only be used in the rear seat. See “Installation on front passenger seat” for details.**

- **Follow all of the child restraint manufacturer's instructions for installation and use. When purchasing a child restraint, be sure to select one which will fit your child and vehicle. It may not be possible to properly install some types of child restraints in your vehicle.**
- **Improper use of a child restraint can result in increased injuries for both the infant or child and other occupants in the vehicle.**
- **When your child restraint is not in use, keep it secured with a seat belt to prevent it from being thrown forward in case of a sudden stop or accident.**
- **Remember that a child restraint left in a closed vehicle can become very hot. Check the seating surface and buckles before placing your child in the child restraint.**
- **All U.S. states and provinces of Canada require that infants and small children be restrained in approved child restraints at all times while the vehicle is being operated.**

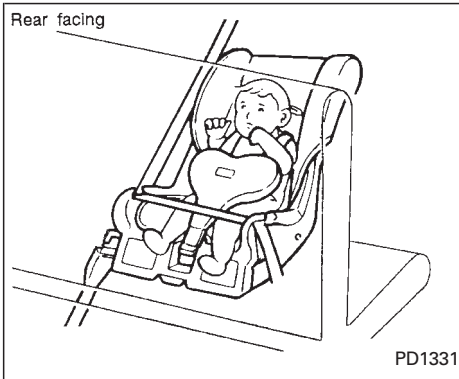
- After attaching the child restraint, test it before you place the child in it. Tilt it from side to side. Try to tug it forward and check to see if the belt holds the restraint in place. If the restraint is not secure, tighten the belt as necessary, or put the restraint in another seat and test it again.
- If the child restraint is not anchored properly, the risk of a child being injured in a collision or a sudden stop greatly increases.
- Adjustable seatbacks should be positioned to fit the child restraint, but as upright as possible.
- For a front facing child restraint, if the seat position where it is installed has a 3-point type lap/shoulder belt, check to make sure the shoulder belt does not go in front of the child's face or neck. If it does, put the shoulder belt behind the child restraint.



### Installation on rear seat

#### Center lap belt

Secure the child restraint with the lap belt as illustrated. Remove all slack in the lap belt for a very tight fit by pulling forcefully on the lap belt adjustment.



Installation on rear outboard seating positions

**⚠ WARNING**

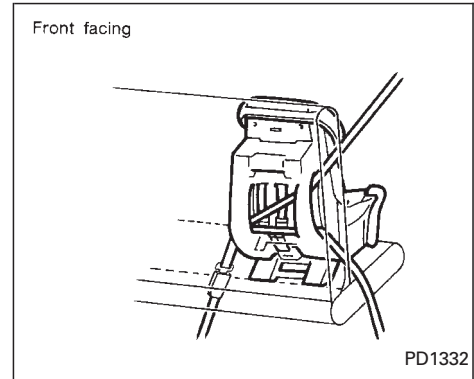
- **The 3-point belt in your vehicle is equipped with a locking mode retractor which must be used when installing a child restraint.**
- **Failure to do so will result in the child restraint not being properly secured. It could tip over or otherwise be unsecured and cause injury to the child in a sudden stop or collision.**

When you install a child restraint in a rear outboard seat, follow these steps:

1. Position the child restraint on the seat. It can be placed in a forward facing or rear facing direction, depending on the size of the child. Always follow the restraint manufacturer's instructions.
2. Route the seat belt tongue through the child restraint and insert it into the buckle until you hear and feel the latch engage.

Be sure to follow the child restraint manufacturer's instructions for belt routing.

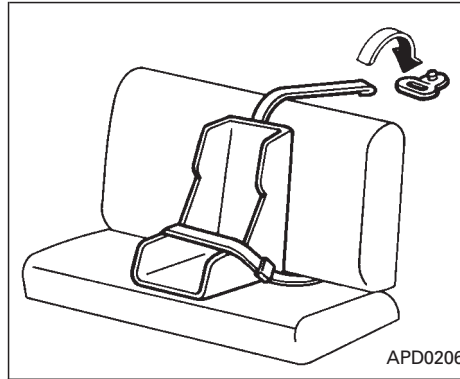
3. Pull on the shoulder belt until all of the belt is fully extended and a click is heard. At this time, the belt retractor is in the automatic locking mode (child restraint mode). (It reverts back to "emergency locking" when the belt is fully retracted.)
4. Allow the belt to retract. A clicking sound will be heard as the belt retracts. This indicates that the retractor is in the automatic locking mode. Pull down on the belt to remove any slack in the belt.



5. Before placing the child in the child restraint, use force to tilt the child restraint from side to side, and tug it forward to make sure that it is securely held in place.
6. Check that the retractor is in the automatic locking mode by trying to pull more belt out of the retractor. If you cannot pull any more belt webbing out of the retractor, the belt is in the automatic locking mode.
7. Check to make sure that the child restraint is properly secured prior to each

use. If the belt is not locked, repeat steps 3 through 6.

After the child restraint is removed and the seat belt is allowed to wind back into the retractor, the automatic locking mode (child restraint mode) is canceled; the seat belt may be used as normal and only locks during a sudden stop or impact.



## TOP STRAP CHILD RESTRAINT

If your child restraint has a top strap, it must be secured to the provided anchor point. Anchor bracket hardware must be installed. The top strap anchor bracket hardware is available through your NISSAN dealer.

### **Part #88894-89900**

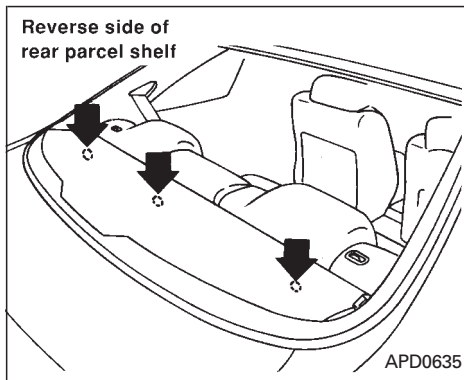
Secure the child restraint with the center lap belt or the lap portion of the outboard 3-point belt and latch the top strap hook onto the anchor bracket. To install the anchor bracket, a metric bolt of the dimensions listed below must be used.

**Bolt diameter: 8.0 mm**  
**Bolt length: more than 1.18 in (30 mm)**  
**Thread pitch: 1.25 mm**

The top strap should be secured to the attaching bolt which provides the straightest installation of the top strap.

**Child restraint anchor points are designed to withstand only those loads imposed by correctly fitted child restraints. Under no circumstances are they to be used for adult seat belts or harnesses.**





### Anchor point locations

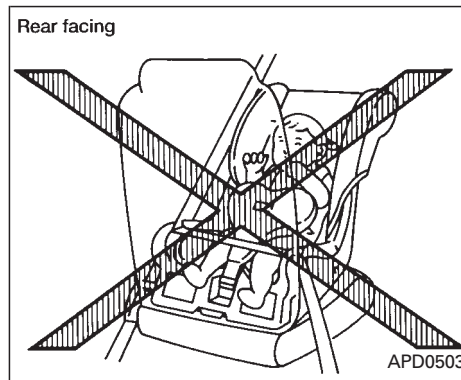
Anchor points are located under the rear parcel shelf finisher.

To use attaching hardware for child restraints with top straps, follow these instructions carefully:

1. Open the trunk and find the anchor point nuts on the under side of the rear parcel shelf. Thread a bolt (8.0 mm diameter, 1.25 pitch) up through the nut behind the seating position where the child restraint will be installed and use it to break through the rear parcel shelf support material.

There are pre-cut circles at each anchor point location that should break away from the shelf support material when pressure is applied to them. Remove the bolt after you feel the pre-cut circle separate from the shelf support material.

2. Cut a small slit through the parcel shelf fabric at the anchor point location. Reach through the fabric with a tool such as a pair of needle-nose pliers and remove the pre-cut circle in the parcel shelf support material.
3. Install the bolt through the top strap hook and into the anchor point nut.
4. Be sure to follow all of the instructions that accompany the top strap attaching hardware.



Installation on front passenger seat (Vehicles with passenger-side air bag)

### **⚠ WARNING**

**Never install a rear-facing child restraint in the front passenger seat. Air bags inflate with great force. A rear-facing child restraint could be struck by the air bag in a crash and could seriously injure or kill your child.**

**If you install a forward-facing child restraint in the front passenger seat, place the passenger seat as far back as possible.**

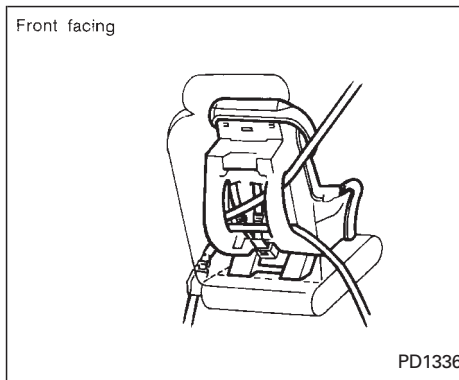
A child restraint with a top strap should not be used in the front passenger seat.

**⚠ WARNING**

- **The 3-point belt in your vehicle is equipped with a locking mode retractor which must be used when installing a child restraint.**
- **Failure to use the retractor's locking mode will result in the child restraint not being properly secured. The restraint could tip over or otherwise be unsecured and cause injury to the child in a sudden stop or collision.**

When you install a child restraint in the front seat, follow these steps:

1. Position the child restraint on the front passenger seat. **It should be placed in a forward-facing direction only.** Move the seat as far back from the instrument panel as possible. Always follow the restraint manufacturer's instructions. **Child restraints for infants must be used in the rear-facing direction and therefore must not be used in the front seat.**
2. Route the seat belt tongue through the child restraint and insert it into the buckle until you hear and feel the latch engage.



Be sure to follow the child restraint manufacturer's instructions for belt routing.

3. Pull on the shoulder belt until all of the belt is fully extended and a click is heard. At this time, the belt retractor is in the automatic locking mode (child restraint mode). (It reverts back to "emergency locking" when the belt is fully retracted.)
4. Allow the belt to retract. A clicking sound is heard as the belt retracts. This indicates that the retractor is in the automatic locking mode. Pull down on the belt to remove any slack in the belt.
5. Before placing the child in the child re-

straint, use force to tilt the child restraint from side to side, and tug it forward to make sure it is securely held in place.

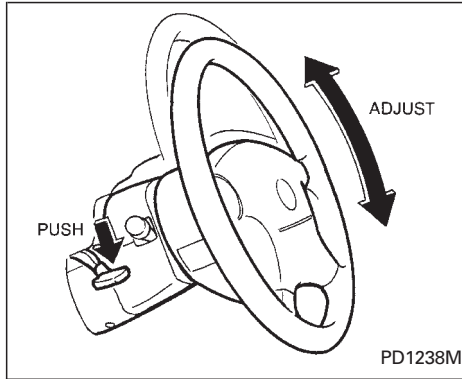
6. Check that the retractor is in the automatic locking mode by trying to pull more belt out of the retractor. If you cannot pull any more belt webbing out of the retractor, the belt is in the automatic locking mode.
7. Check to make sure the child restraint is properly secured prior to each use. If the lap belt is not locked, repeat steps 3 through 6.

After the child restraint is removed and the seat belt is allowed to wind back into the retractor, the automatic locking mode (child restraint mode) is canceled; the seat belt may be used as normal and will only lock during a sudden stop or impact.

**NOTE:**

**For Canada, some vehicles are not equipped with a Supplemental Air Bag System and do not have a passenger-side supplemental air bag. If your vehicle does not have a passenger-side air bag, a rear facing child restraint may be used in the front passenger seat. Follow the instructions in "Installation on rear outboard seating positions" earlier in this section.**

## TILTING STEERING WHEEL



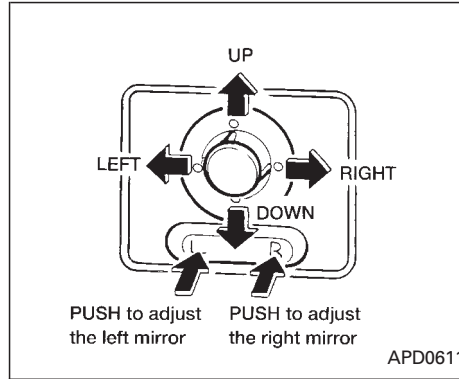
### Tilt operation

Push the lock lever down and adjust the steering wheel up or down to the desired position. Pull the lock lever up firmly to lock the steering wheel in place.

#### **WARNING**

**Do not adjust the steering wheel while driving.**

## OUTSIDE MIRROR CONTROL

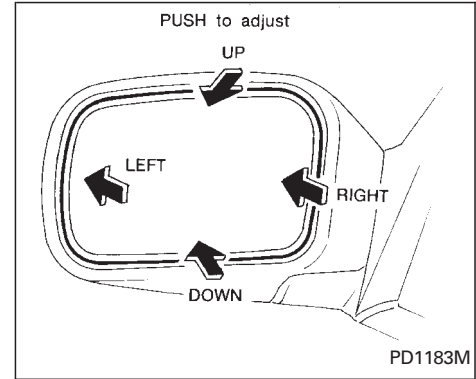


### Electric control type (If so equipped)

The outside mirror control operates only when the ignition switch is in the ACC or ON position.

Push the right or left end of the switch to select the right or left side mirror, then adjust using the control lever.

**Objects viewed in the outside mirror on the passenger side are closer than they appear.**

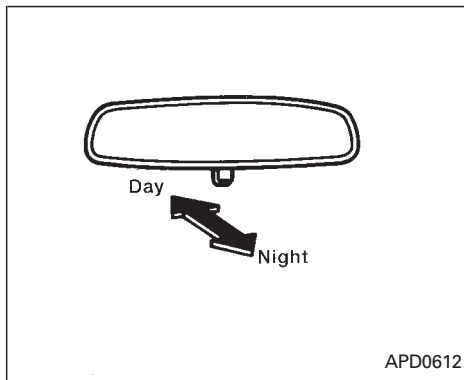


### Manual control type

The outside mirror can be moved in any direction for a better rear view.

**Objects viewed in the outside mirror on the passenger side are closer than they appear.**

## INSIDE MIRROR

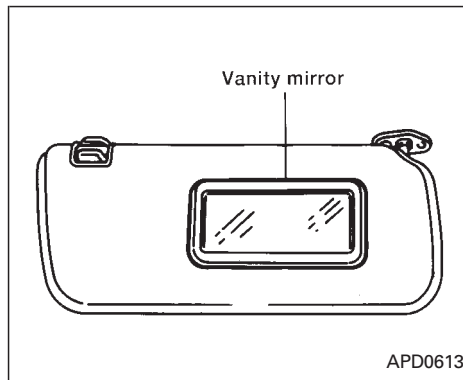


The night position reduces glare from the headlights of vehicles behind you at night.

### CAUTION

**Use the night position only when necessary, because it reduces rear view clarity.**

## VANITY MIRROR (If so equipped)



Your vehicle may be equipped with a passenger side vanity mirror. To access, pull the sun visor down.

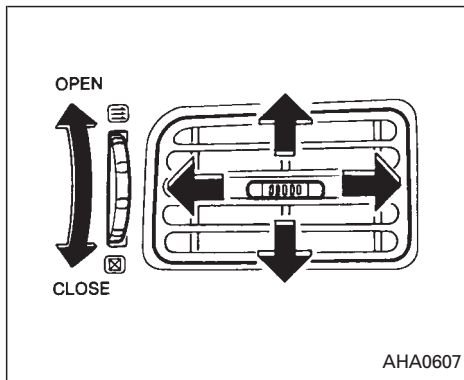
**MEMO**

# 3 Heater, air conditioner and audio system

Ventilators.....	3-2
Heater and air conditioner.....	3-3
Air flow charts.....	3-6
Radio .....	3-10
Clock.....	3-13
Manual antenna.....	3-17
CB radio or car phone.....	3-18

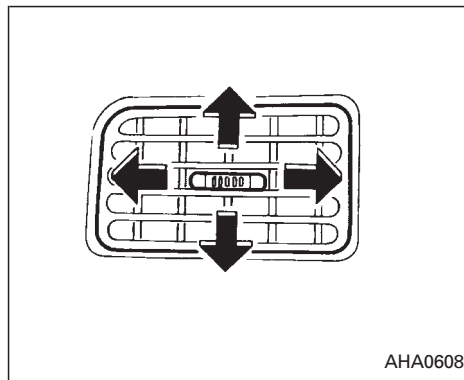


# VENTILATORS



## Side ventilators

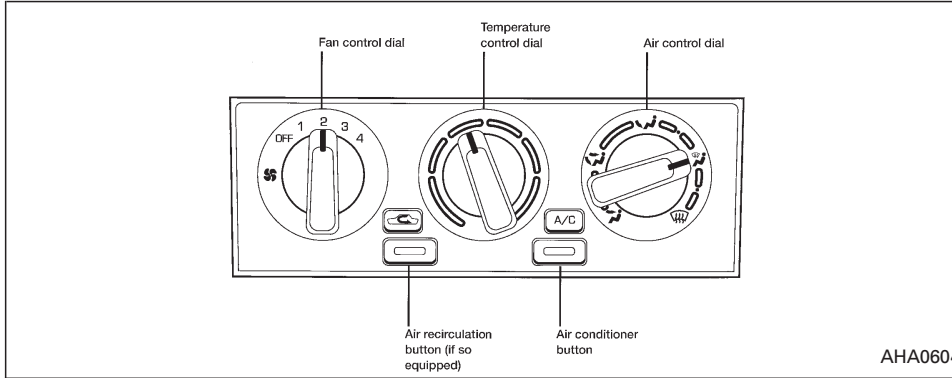
You can open or close the side ventilators by using the dial located at the side of the ventilators. Adjust the air flow direction of ventilators by using the slide in the center.



## Center ventilators

Adjust the air flow direction of ventilators by moving the ventilator slide.

# HEATER AND AIR CONDITIONER





## CONTROLS




### Fan control dial

This dial turns the fan on and off, and controls fan speed.

### Air flow control dial

This dial allows you to select the air flow outlets.

-  — Air flows from center and side ventilators.
-  — Air flows from center and side ventilators and foot outlets.

-  — Air flows mainly from foot outlets.
-  — Air flows from defroster outlets and foot outlets.
-  — Air flows mainly from defroster outlets.

### Temperature control dial

This dial allows you to adjust the temperature of the outlet air.

Air recirculation button  
(If so equipped)

#### NOTE:

**The air recirculation feature is available only on those vehicles equipped with air conditioning.**

OFF position (Indicator light OFF):

Outside air is drawn into the passenger compartment and distributed through the selected outlets.

Use this position for normal heater or air conditioner operation.

ON position (Indicator light ON):

Interior air is recirculated inside the vehicle.

Depress the air recirculation button to activate the recirculation function when driving on a dusty road or to avoid traffic fumes.

The air recirculation function is also used to improve A/C performance during extremely hot or humid conditions.



 **WARNING**

**Do not use the recirculation mode (if so equipped) for long periods of time. It may cause the interior air to become stale and the windows to fog up.**

### Air conditioner button

This button is provided only on those vehicles equipped with air conditioning.

Start the engine, move the fan control dial to the desired (1 to 4) position, and push the air conditioner button to turn on the air conditioner. The indicator light comes on when the air conditioner is on. To turn off the air conditioner, push the button again.

**The air conditioner cooling function operates only when the engine is running.**


 **WARNING**

**Positioning of the heating or air conditioning controls should not be done while driving, in order that full attention may be given to the driving operation.**

## HEATER OPERATION


### Heating

This mode is used to direct hot air mainly from the floor outlets. A small amount of air also flows from the defrost vents.

1. Push the air recirculation button (if so equipped) to the OFF position for normal heating.
2. Move the air control dial to the  position.
3. Move the fan control dial to the desired position.
4. Move the temperature control dial to the desired position between the middle and the hot position.

### Ventilation


This mode directs outside air from the side and center vents.

1. Push the air recirculation button (if so equipped) to the OFF position.
2. Move the air control dial to the  position.

3. Move the fan control dial to the desired position.
4. Move the temperature control dial to the desired position.

### Defrosting or defogging


This mode is used to defrost/defog the windows.

1. Push the air recirculation button (if so equipped) to the OFF position.
  2. Move the air control dial to the  position.
  3. Move the fan control dial to the desired position.
  4. Move the temperature control dial to the desired position between the middle and the hot position.
- If it is difficult to defog the windshield glass, turn the air conditioner on (if so equipped). This helps dehumidify the air.

Outside air is drawn into the passenger compartment to improve the defogging performance.


## Bi-level heating

This mode directs cooler air from the side and center vents and warmer air from the floor outlets. When the temperature control dial is moved to the full hot or full cool position, the air between the vents and the floor outlets is the same temperature.

1. Push the air recirculation button (if so equipped) to the OFF position.
2. Move the air control dial to the  position.
3. Move the fan control dial to the desired position.
4. Move the temperature control dial to the the desired position.

## Heating and defogging

This mode heats the interior and defogs the windshield.

1. Push the air recirculation button (if so equipped) to the OFF position.
2. Move the air control dial to the  position.
3. Move the fan control dial to the desired position.

4. Move the temperature control dial to the desired position between the middle and the hot position.

## Operating tips

- **Clear snow and ice from the wiper blades and air inlet in front of the windshield. This improves heater operation.**


## AIR CONDITIONER OPERATION (If so equipped)

Start the engine, move the fan control dial to the desired (1 to 4) position, and push in the air conditioner button to activate the air conditioner. When the air conditioner is on, cooling and dehumidifying functions are added to the heater operation.

**The air conditioner cooling function operates only when the engine is running.**

## Cooling


This mode is used to cool and dehumidify.

1. Push the air recirculation button to the OFF position.
2. Move the air control dial to  position.

3. Move the fan control dial to the desired position.
4. Push on the air conditioner button. The indicator light comes on.
5. Move the temperature control dial to the desired position.
- For quick cooling when the outside temperature is high, push the air recirculation button (if so equipped) to the ON position. Be sure to return the air recirculation button to the OFF position for normal cooling.

## Dehumidified heating


This mode is used to heat and dehumidify the air.

1. Push the air recirculation button to the OFF position.
2. Move the air control dial to the  position.
3. Move the fan control dial to the desired position.
4. Push on the air conditioner button. The indicator light comes on.

5. Move the temperature control dial to the desired position.

## Dehumidified defogging

This mode is used to defog the windows and dehumidify.

1. Push the air recirculation button to the OFF position.
2. Move the air control dial to the  position.
3. Move the fan control dial to the desired position.
4. Push on the air conditioner button. The indicator light comes on.
5. Move the temperature control dial to the desired position.

## Operating tips

- Keep windows and sun roof closed while the air conditioner is in operation.
- After parking in the sun, drive for two or three minutes with the windows open to vent hot air from the passenger compartment. Then, close the windows. This allows the air conditioner to cool the interior more quickly.

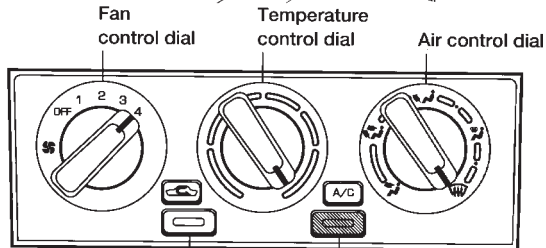
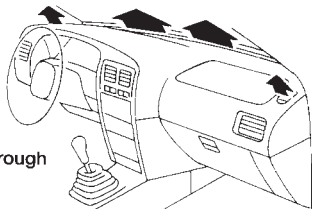
- **The air conditioning system should be operated for about ten minutes at least once a month. This helps prevent damage to the system due to lack of lubrication.**
- **If the engine coolant temperature gauge indicates engine coolant temperature over the normal range, turn the air conditioner off. See “If your vehicle overheats” in the “In case of emergency” section for additional information.**

## AIR FLOW CHARTS

The following charts show the button and dial positions for **MAXIMUM AND QUICK** heating, cooling or defrosting. **The air recirculation switch should always be in the OFF position for heating and defrosting.**

## DEFROSTING DEFOGGING

← : Air passed through heater core



Air recirculation  
button (if so  
equipped)

Air conditioner  
button (if so  
equipped)

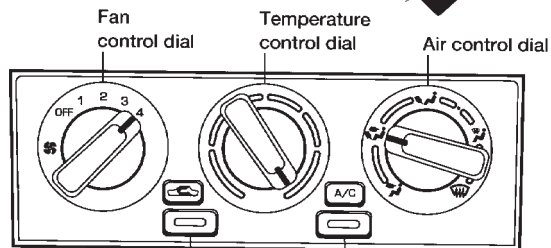
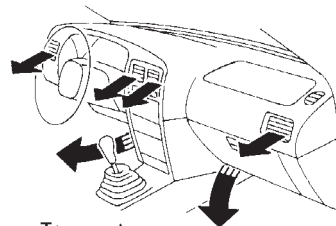
A/C switch (if so equipped)	Air recirculation button (if so equipped)	Air control	Temp control	Fan control
ON	OFF	DEF	HOT (RIGHT)	4

AHA0620

## BI-LEVEL HEATING

Heated air at  
center vents

← : Air passed through  
heater core



Air recirculation  
button (if so  
equipped)

Air conditioner  
button (if so  
equipped)

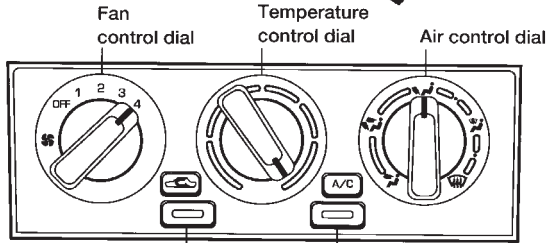
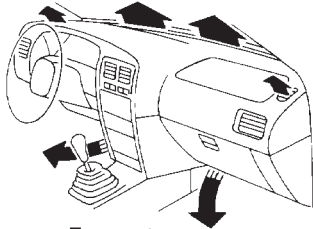
A/C switch (if so equipped)	Air recirculation button (if so equipped)	Air control	Temp control	Fan control
OFF	OFF	FOOT & FACE	HOT (RIGHT)	4

AHA0621

## HEATING

No air at center vents

← : Air passed through heater core



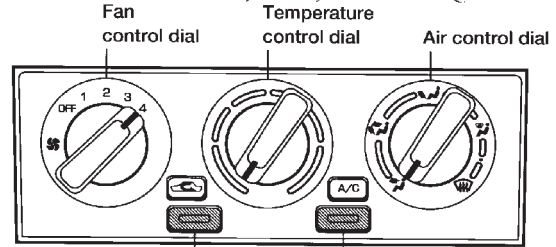
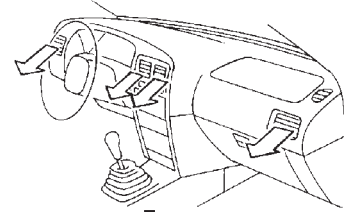
Air recirculation button (if so equipped)

Air conditioner button (if so equipped)

A/C switch (if so equipped)	Air recirculation button (if so equipped)	Air control	Temp control	Fan control
OFF	OFF	FOOT	HOT (RIGHT)	4

AHA0622

## COOLING



Air recirculation button (if so equipped)

Air conditioner button (if so equipped)

A/C switch (if so equipped)	Air recirculation button (if so equipped)	Air control	Temp control	Fan control
ON	ON	FACE	COLD (LEFT)	4

AHA0623

## Servicing air conditioning

The air conditioning system in your NISSAN is charged with a new refrigerant designed with the environment in mind.

**This new refrigerant does not harm the earth's ozone layer.**

Special charging equipment and lubricant is required when servicing your NISSAN air conditioner. Using improper refrigerants or lubricants causes severe damage to your air conditioning system. See "Air conditioning system refrigerant and lubricant recommendations" in the "Technical and consumer information" section of this manual.

Your NISSAN dealer is able to service your environmentally "friendly" air conditioning system.

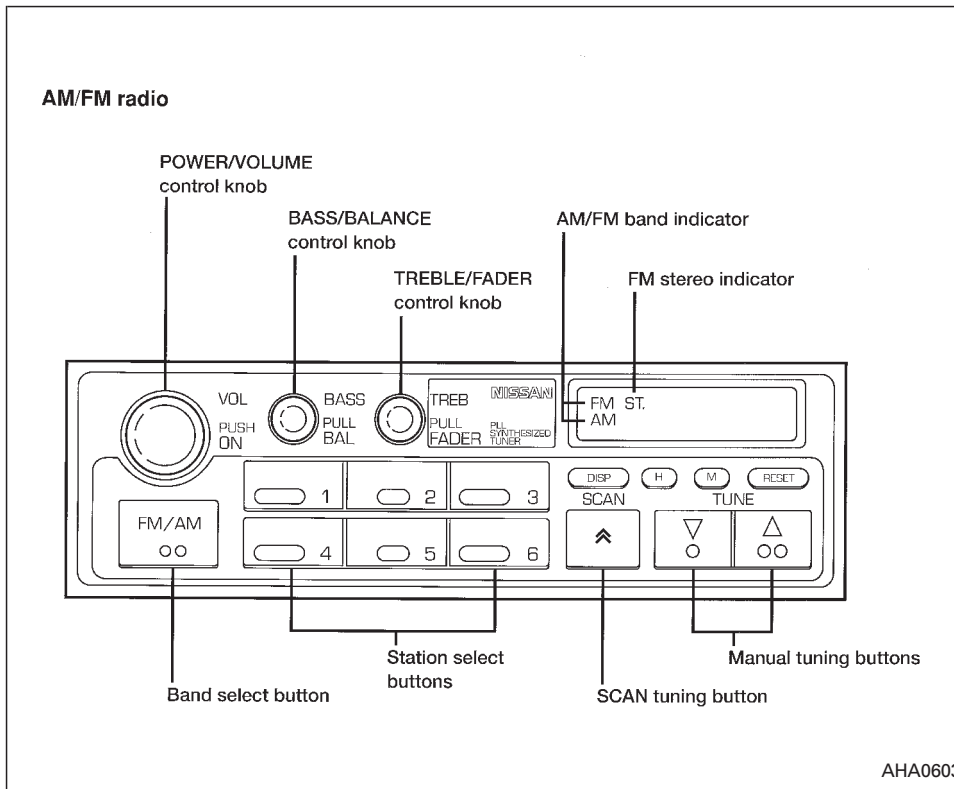
# RADIO

To turn the radio on, turn the ignition key to ACC or ON. If you listen to the radio with the engine not running, turn the key to the ACC position.

Radio reception is affected by station signal strength, distance from radio transmitter, buildings, bridges, mountains and other external influences. Intermittent changes in reception quality normally are caused by these external influences.

## CLOCK-RADIO (If so equipped)

On vehicles equipped with an AM-FM radio and cassette player, a clock is integrated into the audio system. For further details, refer to Clock Operation later in this section.



AHA0603

## AM-FM RADIO

Push the ON/VOL knob to turn the radio on. Push the ON/VOL knob once more to turn the radio off.

Turn the knob to adjust the volume.

### Selecting the desired band

Push the band select button (FM/AM) to change from AM to FM reception.



The stereo indicator glows during FM stereo reception. When the stereo broadcast signal is weak, the radio automatically changes from stereo to monaural reception.

### Tuning


#### WARNING

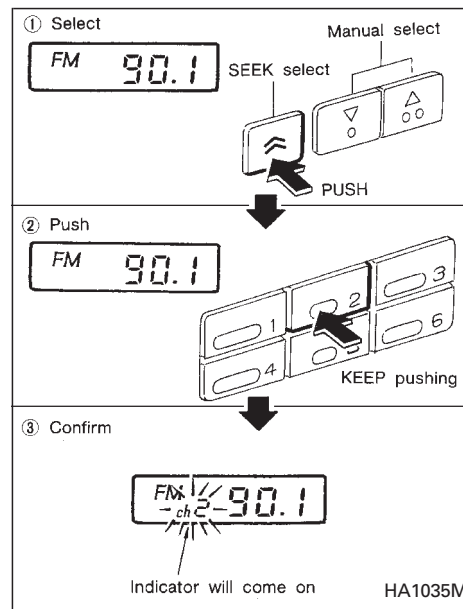
**The radio should not be tuned while driving in order that full attention may be given to the driving operation.**

### Manual tuning

Push down either manual tuning button  or .

### SCAN tuning

Push the SCAN tuning button . SCAN tuning begins at low and moves through high frequencies stopping at each broadcasting station for five seconds. Pushing the button again during this five second period stops SCAN tuning and the radio remains tuned to that station.



### Station memory operations

Six stations can be set for each band.

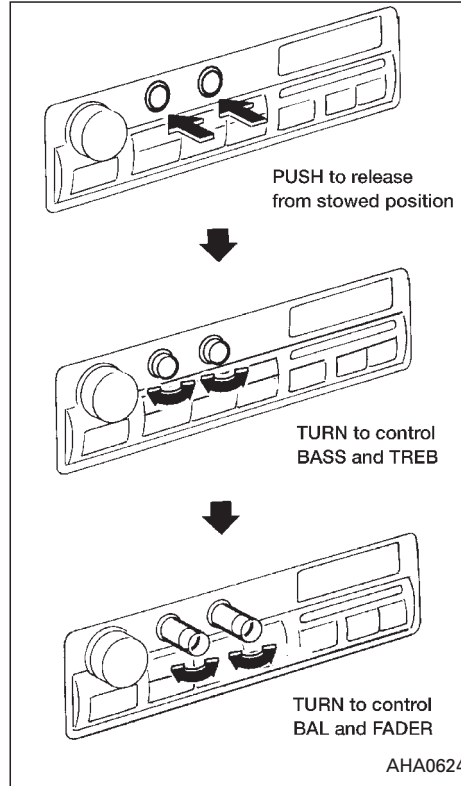
1. Tune to the desired station.
2. Push and hold the desired select button



for more than 2 seconds. For example, in the diagram ch2 is to be memorized. The radio mutes when the select button is pushed.

3. The indicator, ch2, then comes on in the display and the sound resumes. Memorizing is now complete.
4. Other buttons can be set in the same manner.

If the battery cable is disconnected, or if the fuse blows, the radio memory is cancelled. In that case, reset the desired stations.



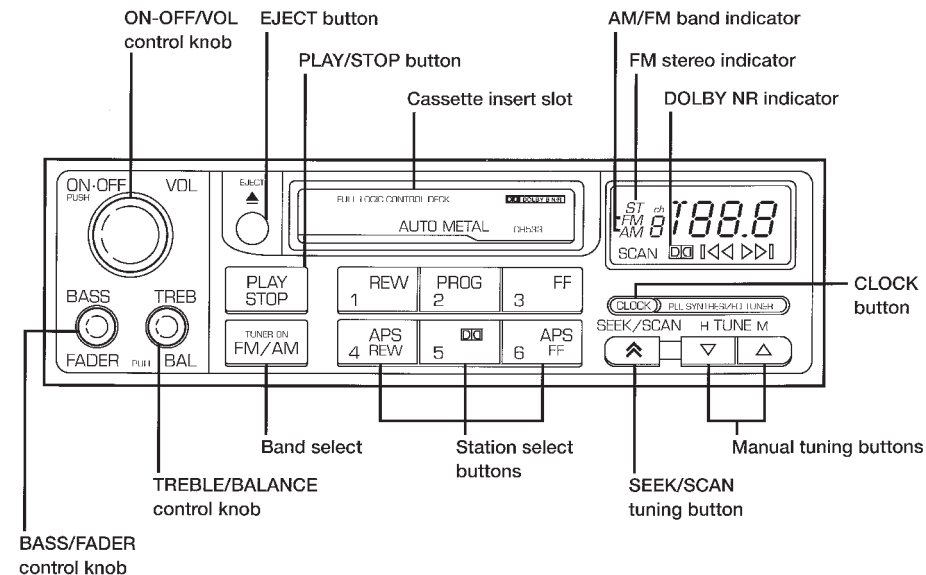
## Adjusting tone quality and sound balance

To adjust BASS, TREB (treble), FADER, and BAL (balance) the control knobs must be released from their stowed positions. Pushing the knobs once moves them to the released position.

In the released position, the knobs control tone quality. Turn the control knobs to adjust BASS and TREB to the most pleasing level.

From the released position, the knobs must be pulled out in order to control FADER and BAL. FADER adjusts the sound level between the front and rear speakers, and BAL adjusts the sound level between the right and left speakers.

## AM/FM electronic tuning radio with cassette player



AHA0606

## AM-FM RADIO WITH CASSETTE PLAYER

### Radio operation

Push the ON-OFF/VOL knob to turn the radio on. Push the ON-OFF/VOL knob once more to turn the radio off.

Turn the knob to adjust the volume.

Inserting a cassette tape into the cassette player while the radio is on turns the radio off and turns the cassette player on.

Pushing the ON-OFF/VOL knob while the cassette tape is playing turns the cassette player off.

### Clock Operation

By pressing the CLOCK button, you can alternate the clock and the radio/cassette tape options in the display.

### Clock Set (Adjustment)

Depressing the CLOCK and the  $\nabla$  buttons together sets hours. Depressing the CLOCK and  $\Delta$  buttons together sets minutes.

## Clock Priority Mode

In this mode the clock is shown in the display. If any radio or cassette tape functions are activated, the radio (or cassette tape) display illuminates for ten seconds then returns to the clock mode.

### NOTE:

**After clock adjustment, the radio is in the clock priority mode.**

## Radio/Cassette Tape Priority Mode

In this mode, the radio station illuminates in the display during radio operation. During cassette tape operation, TAPE illuminates in the display.

## Selecting the desired band

Push the band select button (FM/AM) to change from AM to FM reception.



The stereo indicator illuminates during FM stereo reception. When the stereo broadcast signal is weak, the radio automatically changes from stereo to monaural reception.

## Tuning


### WARNING

**The radio should not be tuned while driving in order that full attention may be given to the driving operation.**


### Manual tuning

Push either manual tuning button  or .

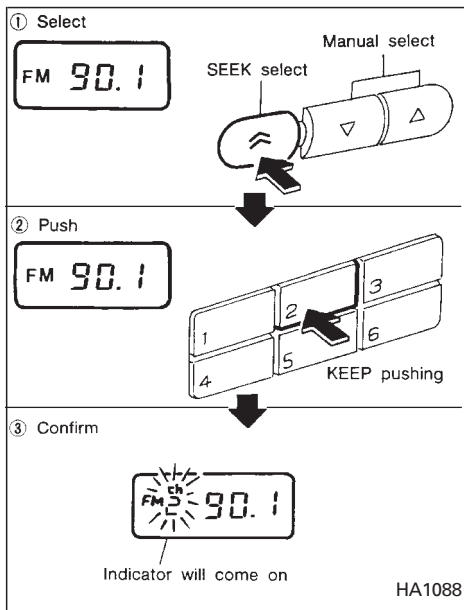
### SEEK tuning

Push the SEEK/SCAN tuning button  for less than 1.5 seconds. SEEK tuning begins from low to high frequencies and stops at the next broadcasting station. Push the button again for less than 1.5 seconds, and the next highest broadcasting station is tuned. Once the highest broadcasting station is reached, the radio continues in the SEEK mode at the lowest broadcast station.

### SCAN tuning

Push the SEEK/SCAN tuning button  for more than 1.5 seconds. SCAN illuminates in the display window. SCAN tuning begins from low to high frequencies and stops at each broadcasting station for

five seconds. Pushing the button again during this five second period stops SCAN tuning and the radio remains tuned to that station.



## Station memory operations

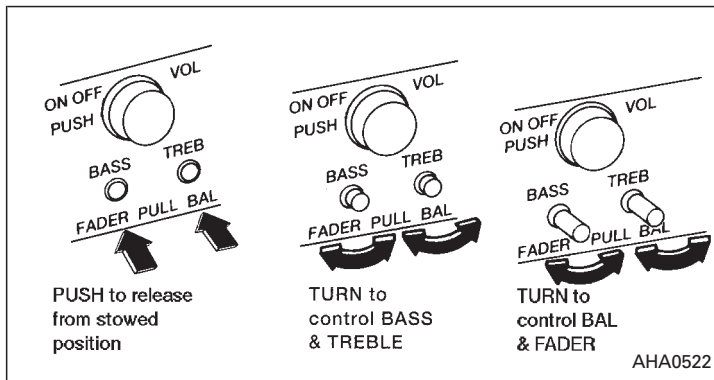
Six stations can be set for each band.

1. Tune to the desired station.
2. Push the desired select button for more

than 2 seconds. For example, in the diagram ch2 is to be memorized. The radio mutes when the select button is pushed.

3. The indicator, ch2, then comes on in the display and the sound resumes. Memorizing is now complete.
4. Other buttons can be set in the same manner.

If the battery cable is disconnected, or if the fuse blows, the radio memory is cancelled. In that case, reset the desired stations.



## Adjusting tone quality and sound balance

To adjust BASS, TREB (treble), FADER, and BAL (balance) the control knobs must be released from their stowed positions. Pushing the knobs once moves them to the released position.

In the released position, the knobs control tone quality. Turn the control knobs to adjust BASS and TREB to the most pleasing level.

From the released position, the knobs must be pulled out in order to control FADER and

BAL. FADER adjusts the sound level between the front and rear speakers, and BAL adjusts the sound level between the right and left speakers.

## Cassette tape operation

Turn the ignition key to ACC or ON, then lightly insert the cassette tape into the tape door.

The cassette tape automatically pulls into the player. The word TAPE and an arrow indicating tape side illuminates in the display window.

**Do not force the cassette tape into the tape door.**

**Pressing strongly could cause player damage.**

The cassette tape automatically changes directions to play the other side when the first side is complete. At this time, the arrow in the display window changes direction.

- **To maintain good quality sound, NISSAN recommends using cassette tapes of 60 minutes or shorter in length.**
- **Cassette tapes should be removed from the player when not in use. Store cassettes in their protective cases and away from direct sunlight, heat, moisture and magnetic sources.**
- **Direct sunlight can cause the cassette to become deformed. The use of deformed cassettes may cause the cassette to jam in the player.**
- **Do not use cassettes with labels which are peeling and loose. If used, the label could jam in the player.**
- **If a cassette has loose tape, insert a pencil through one of the cassette hubs and rewind the tape firmly**

around the hubs. Loose tape may cause tape jamming and wavering sound quality.

- **Over a period of time, the playback head, capstan and pinch roller may collect a tape coating residue as the tape passes over the head. This residue accumulation can cause weak or wavering sound, and should be removed periodically with a head cleaning tape. If the residue is not removed periodically, the player may need to be disassembled for cleaning.**

### Fast forwarding or rewinding the tape

Push either the FF (fast forward) or REW (rewind) button for the desired direction.

The ►► or ◀◀ symbol illuminates in the display. To stop the FF or REW function, press the PLAY/STOP button.

### Automatic Program Search (APS) fast forwarding or APS rewinding the tape

Push either the APS FF or APS REW button while the tape is playing. The tape runs


quickly, stops, then plays the next selection. The indicator flashes on and off while searching for the selection. The ►► or ◀◀ symbol illuminates in the display.

This system searches at the blank intervals between selections. If there is a blank interval within one selection or there is no interval between selections, the system may not search correctly.



### Changing the direction of tape play

Push the PROG (program) select button. The ► or ◀ symbol illuminates in the display to indicate side of program play.

### Dolby NR (noise reduction)

Push the  DOLBY NR button for Dolby NR encoded tapes to reduce high frequency tape noise. The indicator light comes on.

Dolby NR is manufactured under license from Dolby Laboratories Licensing Corporation. DOLBY NR and the double-D symbol are trademarks of Dolby Laboratories Licensing Corporation.

If in the clock priority mode when the  button is pressed,  and TAPE

illuminate in the display window for about ten seconds. The clock mode then returns to the display window.

### Metal or chrome tape usage

The cassette player is automatically set to high performance play when playing a metal or chrome cassette tape. The indicator METAL comes on when playing a metal or chrome cassette tape.

### Stopping and ejecting the cassette tape

Push the EJECT button.

The cassette tape automatically comes out.

### Manual antenna

The antenna cannot be shortened but it can be removed. When you need to remove the antenna, turn its base counterclockwise.

## CB RADIO OR CAR PHONE

When installing a CB ham radio or a car phone in your NISSAN, be sure to observe the following cautions, otherwise the new equipment may adversely affect the Multiport Fuel Injection (MFI) system and other electronic parts.

### CAUTION

- **Keep the antenna as far as possible away from the Engine Control Module (ECM).**
- **Also keep the antenna wire more than 8 inches (20 cm) away from the engine control harness. Do not route the antenna wire next to any harness.**
- **Adjust the antenna standing-wave ratio as recommended by the manufacturer.**
- **Connect the ground wire from the CB radio chassis to the body.**
- **For details, consult a NISSAN dealer.**

# 4 Starting and driving

Precautions when starting and driving.....	4-2
Ignition switch.....	4-4
Before starting the engine.....	4-5
Driving with automatic transmission.....	4-6
Driving with manual transmission .....	4-9
Starting the engine .....	4-11
Parking brake operation.....	4-11
Cruise control (If so equipped).....	4-12
Break-in schedule.....	4-13
Increasing fuel economy .....	4-14
Parking/parking on hills .....	4-15
Precautions when driving.....	4-16
Anti-lock brake system (ABS) (If so equipped)..	4-16
Cold weather driving cautions.....	4-18





## PRECAUTIONS WHEN STARTING AND DRIVING

### WARNING

Do not leave children, unreliable adults, or pets alone in your vehicle. They could accidentally injure themselves or others through inadvertent operation of the vehicle. Also, on hot, sunny days, temperatures in a closed vehicle could quickly become high enough to cause severe or possibly fatal injuries to people or animals.

## EXHAUST GAS (Carbon monoxide)

### WARNING

Do not breathe exhaust gases; they contain colorless and odorless carbon monoxide. Carbon monoxide is dangerous. It can cause unconsciousness or death.

- If you suspect that exhaust fumes are entering the vehicle, drive with all windows fully open, and have the vehicle inspected immediately.
- Do not run the engine in closed spaces such as a garage for any longer than is absolutely necessary.

- Do not park the vehicle with the engine running for any extended length of time.
- Keep the trunk lid closed while driving, otherwise exhaust gases could be drawn into the passenger compartment. If you must drive in this manner for some reason, take the following steps:

1. Open all the windows.
2. Set the air recirculate button (if so equipped) “OFF” and the fan control dial to 4 (high) to circulate the air.

- If electrical wiring or other cable connections must pass to a trailer through the seal on the trunk lid or the body, follow the manufacturer’s recommendation to prevent carbon monoxide entry into the vehicle.
- The exhaust system and body should be inspected by a qualified mechanic whenever:
  - a. The vehicle is raised for service.

- b. You suspect that exhaust fumes are entering into the passenger compartment.
- c. You notice a change in the sound of the exhaust system.
- d. You have had an accident involving damage to the exhaust system, underbody, or rear of the vehicle.

## THREE WAY CATALYST

The three way catalyst is an emission control device installed in the exhaust system. Exhaust gases in the converter are burned at high temperatures to help reduce pollutants.

### WARNING

- The exhaust gas and the exhaust system are very hot. While the engine is running, keep people or flammable materials away from the exhaust pipe.
- Do not stop or park the vehicle over flammable materials such as dry grass, waste paper or rags, as they may burn easily.

## AVOIDING COLLISION AND ROLLOVER

To help prevent damage

- **Do not use leaded gasoline. Deposits from leaded gasoline seriously reduce the three way catalyst's ability to help reduce exhaust pollutants.**
- **Keep your engine tuned up. Malfunctions in the ignition, fuel injection, or electrical systems can cause overrich fuel flow into the converter, causing it to overheat. Do not keep driving if the engine misfires, or if noticeable loss of performance or other unusual operating conditions are detected. Have the vehicle inspected promptly by an authorized NISSAN dealer.**
- **Avoid driving with an extremely low fuel level. Running out of fuel could cause the engine to misfire, damaging the three way catalyst.**
- **Do not race the engine while warming it up.**
- **Do not push or tow your vehicle to start the engine.**

Failure to operate this vehicle in a safe and prudent manner may result in loss of control or an accident. Be alert and drive defensively at all times. Obey all traffic regulations. Avoid excessive speed, high speed cornering, or sudden steering maneuvers, because these driving practices could cause you to lose control of your vehicle. **As with any vehicle, a loss of control could result in a collision with other vehicles or objects, or cause the vehicle to rollover, particularly if the loss of control causes the vehicle to slide sideways.** Be attentive at all times, and avoid driving when tired. Never drive when under the influence of alcohol or drugs (including prescription or over-the-counter drugs which may cause drowsiness). Always wear your seat belt as outlined in the "Seat Belts" section of this manual, and also instruct your passengers to do so.

## DRINKING ALCOHOL/DRUGS AND DRIVING

### WARNING

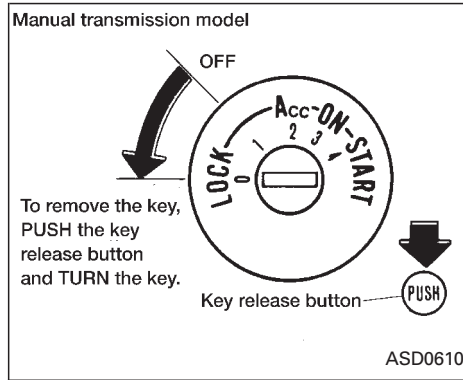
**Alcohol in the blood stream reduces coordination, delays reaction time and impairs judgment. Driving after drinking alcohol increases the likelihood of being involved in an accident injuring yourself and others. Additionally, if you are injured in the accident alcohol can increase the severity of injury.**

Nissan is committed to safe driving. However, you must choose not to drive under the influence of alcohol. Every year thousands of people are injured or killed in alcohol related accidents. Although the local laws vary on what is considered to be legally intoxicated, the fact is that alcohol affects all people differently and most people underestimate the effects of alcohol.

Remember, drinking and driving don't mix!

And that's true for drugs, too (over the counter, prescription, and illegal drugs). Don't drive if your ability to operate your vehicle is impaired by alcohol, drugs, or some other physical condition.

# IGNITION SWITCH



## Manual transmission

The switch includes an anti-theft steering lock device.

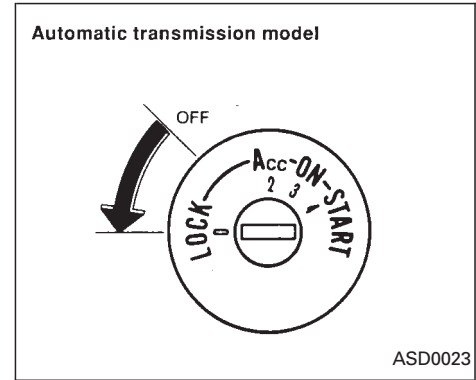
### LOCK Normal parking position (0)

The ignition key can only be removed at this position.

On manual transmission models, to turn the ignition key to LOCK from ACC or ON, turn the key to OFF and press in the key release button, then turn the key to LOCK.

In order for the steering wheel to be locked it must be straight up (logo on wheel will be

up). If the wheel is left upside down, it is not locked.



## Automatic transmission

On automatic transmission models the ignition lock is designed so the key cannot be turned to LOCK and removed until the shift lever is moved to the P (Park) position.

When removing the key from the ignition, make sure the shift lever is in the P (Park) position.

When the key cannot be turned to the LOCK position, proceed as follows to remove the key:

- 1) Move the shift lever into the P position.
- 2) Turn the ignition key slightly in the ON direction.
- 3) Turn the key toward the LOCK position.
- 4) Remove the key.

If the key is removed from the ignition switch, the shift lever cannot be moved from P (Park). **The shift lever can be moved if the ignition switch is in the ACC position. The shift lever can also be moved if the ignition switch is in the ON position and the foot brake pedal is depressed.**

There is an OFF position in between LOCK and ACC, although it does not show on the lock cylinder. When the ignition is in OFF the steering wheel is not locked.

In order for the steering wheel to be locked, it must be turned about 1/8 of a turn counterclockwise from the straight up position, and the key must be removed from the ignition.

### WARNING

**To lock the steering wheel, remove the key. To unlock the steering wheel, insert the key and turn it gently while rotating the steering wheel slightly right and left.**

**Never remove the key while driving. If the key is removed, the steering wheel will lock. This may cause the driver to lose control of the vehicle and could result in serious vehicle damage or personal injury.**

OFF (Manual transmission model) (1)

The engine can be turned off without locking the steering wheel.

ACC (Accessories) (2)

This position activates electrical accessories such as the radio when the engine is not running.

ON Normal operating position (3)

This position turns on the ignition system and the electrical accessories.

START (4)

This position activates the starter motor, which starts the engine.

## BEFORE STARTING THE ENGINE

- Make sure the area around the vehicle is clear.
- Maintenance items listed here should be checked periodically, e.g., each time you check engine oil.
- Check that all windows and lights are clean.
- Visually inspect tires for their appearance and condition. Also check tires for proper inflation.
- Lock all doors.
- Position seat and adjust head restraints.
- Adjust inside and outside mirrors.
- Fasten seat belts and ask all passengers to do likewise.
- Check the operation of warning lights when key is turned to the ON (3) position.

## DRIVING WITH AUTOMATIC TRANSMISSION

The automatic transmission in your vehicle (if so equipped) is electronically controlled by a microcomputer to produce maximum power and smooth operation.

Shown on the following pages are the recommended operating procedures for this transmission. Follow these procedures for maximum vehicle performance and driving enjoyment.

### Starting the vehicle

- After starting the engine, fully depress the foot brake pedal before shifting the shift lever to the D, R, 2 or 1 position. Be sure the vehicle is fully stopped before attempting to shift the shift lever.

**This automatic transmission is designed so the foot brake pedal MUST be depressed before shifting from P to any drive position while the ignition switch is ON.**

Normally, the shift lever cannot be moved out of P and into any of the other gear positions if the ignition key is turned to LOCK or if the key is removed from the switch.

When the battery charge is low, the shift

**lever can be moved if the ignition switch is in the ACC position.**

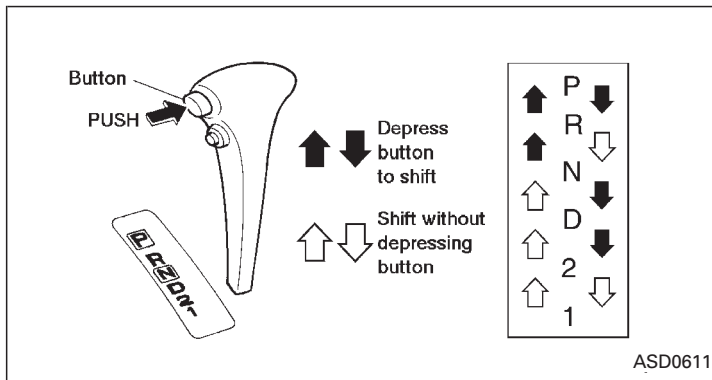
1. Keep the foot brake pedal depressed and shift into a driving gear.
  2. Release the parking brake and foot brake, then gradually start the vehicle in motion.
- **Cold engine idle speed is high, so use caution when shifting into a forward or reverse gear before the engine has warmed up.**
  - **Avoid revving up the engine while the vehicle is stopped. This could cause unexpected vehicle movement.**

### Driving precautions

To help prevent transmission damage:

- Do not depress the accelerator pedal while shifting from P or N to R, D, 2 or 1. Always depress the brake pedal until shifting is completed.
- Never shift to P or R while the vehicle is moving.
- When stopping the vehicle on an up-hill grade, do not hold the vehicle by depressing the accelerator pedal. The

**foot brake should be used for this purpose.**



Push the button to shift into P, R or from D to 2. All other positions can be selected without pushing the button.

### P (Park):

Use this selector position when the vehicle is parked or when starting the engine. Always be sure the vehicle is at a complete stop. For maximum safety, depress the brake pedal, then push in the shift lever button and move the lever to the P position. Apply the parking brake. When parking on a hill, apply the parking brake first, then shift the lever into the P position.

### Shifting from P (Park)

If the ignition switch is in the ON position and the foot brake pedal is depressed, but the shift lever still cannot be moved out of P (Park) use the following procedure:

1. Shut the engine off and remove the key.
2. Apply the parking brake.
3. Reinsert the key and turn it clockwise to the ACC position.
4. Depress the brake pedal, move the shift lever to N (Neutral) and start the engine.
5. Check stoplights operation.

### WARNING

If the shift lever cannot be moved from the P position while the engine is running and the brake pedal is depressed, the stoplights may not work. Malfunctioning stoplights could cause an accident injuring yourself and others.

These instructions for starting the vehicle in N (Neutral) should only be used until service can be obtained. Never drive the vehicle if the stoplights are not operating properly.

### R (Reverse):

Use this position to back up. Always be sure the vehicle is completely stopped. With the brake pedal depressed, push in the shift lever button and move the lever to the R position.

### N (Neutral):

Neither forward nor reverse gear is engaged. The engine can be started in this position. You may shift to N and restart a stalled engine while the vehicle is moving.

### D (Drive):

Use this position for all normal forward driving.

### 2 (Second gear):

Use for hill climbing or engine braking on downhill grades.

Do not downshift into the 2 position at speeds over 68 MPH (110 km/h). Do not exceed 68 MPH (110 km/h) in the 2 position.

### 1 (Low gear):

Use this position when climbing steep hills slowly or driving slowly through deep snow, sand or mud, or for maximum engine braking on steep downhill grades.

Do not shift into the 1 position at speeds over 34 MPH (55 km/h).

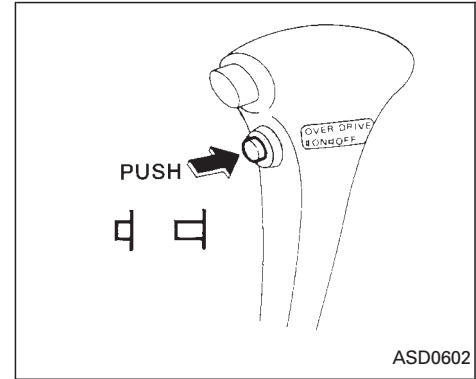
Do not exceed 34 MPH (55 km/h) in the 1 position.

### Accelerator downshift

— In D position —

For rapid passing or hill climbing, fully depress the accelerator pedal to the floor. This shifts the transmission down into third gear,

second gear or first gear, depending on the vehicle speed.



### Overdrive switch

**ON:** For normal driving, push the overdrive switch ON  with the selector switch in the D position. The transmission is upshifted into OVER-DRIVE as the vehicle speed increases.

**The overdrive does not engage until the engine has warmed up.**

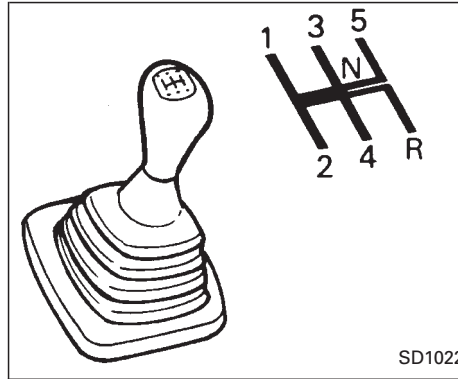
**OFF:** For driving up and down long slopes where engine braking would be advantageous, push the switch OFF . When cruising at a low speed

## DRIVING WITH MANUAL TRANSMISSION

or climbing a gentle slope, you may feel uncomfortable shift shocks as the transmission shifts between 3rd and overdrive repeatedly. In this case, set the overdrive switch in the OFF  position. The indicator light in the instrument panel comes on at this time.

When driving conditions change, reset the overdrive switch in the ON  position.

Remember not to drive at high speeds for extended periods of time with the overdrive switch set in the OFF  position. This reduces the fuel economy.



To change gears, fully depress the clutch pedal, then move the gearshift lever. After shifting, release the clutch slowly.

On the 5-speed transmission model, you cannot shift directly from 5th gear into Reverse. First shift into Neutral, then into Reverse.

If it is difficult to move the gearshift lever into Reverse or 1st, shift into Neutral, then release the clutch pedal. Depress the pedal and shift into Reverse or 1st again.

### Driving precautions

- Do not rest your foot on the clutch pedal while driving. This may cause clutch damage.
- Stop your vehicle completely before shifting into Reverse.

### Suggested shift-up speeds

Shown below are suggested vehicle speeds for shifting into a higher gear. These suggestions relate to fuel economy and vehicle performance. Actual shift-up speeds will vary according to road conditions, the weather and individual driving habits.

For quick acceleration in low altitude areas (less than 4,000 ft [1,219 m]) and normal acceleration in high altitude areas (over 4,000 ft [1,219 m]):

Gear change	MPH (km/h)
1st to 2nd	15 (25)
2nd to 3rd	25 (40)
3rd to 4th	40 (65)
4th to 5th	45 (75)



For quick acceleration in high altitude areas (over 4,000 ft [1,219 m]):

For GA16DE engine models:

Gear change	MPH (km/h)
1st to 2nd	15 (25)
2nd to 3rd	35 (55)
3rd to 4th	45 (75)
4th to 5th	50 (80)

For SR20DE engine models:

1st to 2nd	15 (25)
2nd to 3rd	25 (40)
3rd to 4th	40 (65)
4th to 5th	45 (75)

## Suggested maximum speed in each gear

Downshift to a lower gear if the engine is not running smoothly, or if you need to accelerate.

Do not exceed the maximum suggested speed (shown below) in any gear. For level road driving, use the highest gear suggested for that speed. Always observe posted speed limits, and drive according to the road conditions, which will ensure safe operation. Do not over-rev the engine when shifting to a lower gear as it may cause engine damage or loss of vehicle control.

GA16DE engine models:

Gear	MPH (km/h)
1st	30 (50)
2nd	55 (90)
3rd	85 (135)
4th & 5th	—

SR20DE engine models:

Gear	MPH (km/h)
1st	35 (55)
2nd	60 (95)
3rd	85 (135)
4th & 5th	—

## STARTING THE ENGINE

1. Apply the parking brake.

2. **Automatic transmission:**

Move the selector lever to P (Park) or N (Neutral). (P preferred.)

**The shift lever cannot be moved out of P and into any of the other gear positions if the ignition key is turned to OFF or if the key is removed from the switch.**

**The starter is designed not to operate if the shift lever is in one of the driving positions.**

**Manual transmission:**

Move the gearshift lever to N (Neutral), and depress the clutch pedal to the floor while cranking the engine.

**The starter is designed not to operate unless the clutch pedal is depressed.**

3. Crank the engine **with your foot off the accelerator pedal** by turning the ignition key to START. Release the key when the engine starts. If the engine starts, but fails to run, repeat the above procedure.

— **If the engine is very hard to start in extremely cold or hot weather, depress the accelerator pedal fully and**

**hold it to help start the engine.**

— **In the summer, when restarting the engine within 30 minutes after it has been stopped, keep the accelerator pedal fully depressed while starting.**

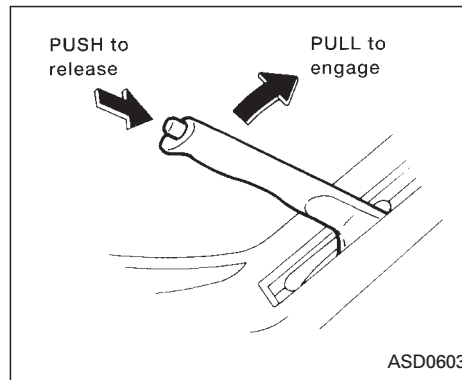
### CAUTION

**Do not operate the starter for more than 15 seconds at a time. If the engine does not start, wait 10 seconds before cranking again, otherwise the starter could be damaged.**

4. **Warm-up**

Allow the engine to idle for at least 30 seconds after starting. Drive at moderate speed for a short distance first, especially in cold weather.

## PARKING BRAKE OPERATION

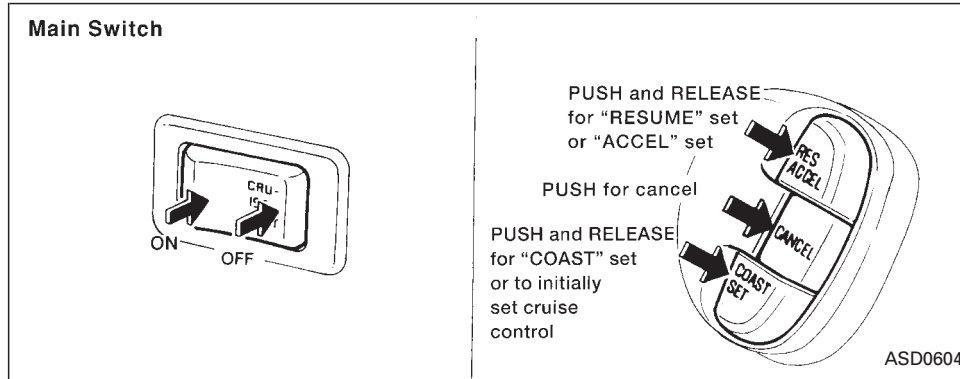


**To engage:** pull the lever up.

**To release:** pull the lever up slightly, push the button and lower completely. Before driving, be sure the parking brake warning light goes out.

# CRUISE CONTROL

(If so equipped)



The cruise control allows driving at a speed between 30 to 90 MPH (48 to 144 km/h) without keeping your foot on the accelerator pedal.

**To turn on the cruise control**, push the main switch. The indicator light on the switch comes on.

**To set cruising speed**, accelerate your vehicle to the desired speed, push the COAST/SET switch and release it. The CRUISE indicator light comes on. Take your foot off the accelerator pedal. Your vehicle maintains the set speed.

- **To pass another vehicle**, depress the accelerator pedal. When you release the pedal, the vehicle returns to the previously set speed.
- The vehicle may not maintain the set speed when going up or down steep hills. If this happens, drive without the cruise control.

**To cancel the preset speed**, use one of the following three methods:

- a) Push the CANCEL button; the CRUISE light goes out.

- b) Tap the brake pedal; the CRUISE light goes out.

- c) Turn the main switch off. Both the ON indicator and CRUISE lights go out.

The cruise control is automatically cancelled and the CRUISE light goes out if:

- You depress the brake pedal while pushing the "ACCEL" set switch.
- The vehicle slows down more than 8 MPH (13 km/h) below the set speed.
- You depress the clutch pedal (manual transmission), or move the shift lever to the N position (automatic transmission).

**To reset at a faster cruising speed**, use one of the following three methods:

- a) Depress the accelerator pedal. When the vehicle attains the desired speed, push and release the COAST/SET switch.
- b) Push and hold the ACCEL set switch. When the vehicle attains the speed you desire, release the switch.
- c) Push, then quickly release the ACCEL set switch. Each time you do this, the set speed increases by about 1 MPH (1.6 km/h).

## BREAK-IN SCHEDULE

**To reset at a slower cruising speed**, use one of the following three methods:

- Lightly tap the brake pedal. When the vehicle attains the desired speed, push the COAST/SET switch and release it.
- Push and hold the COAST/SET switch. Release the switch when the vehicle slows down to the desired speed.
- Push, then quickly release the COAST/SET switch. Each time you do this, the set speed decreases by about 1 MPH (1.6 km/h).

**To resume the preset speed**, push and release the RESUME switch. The vehicle returns to the last set cruising speed when the vehicle speed is over 30 MPH (48 km/h).

### Precautions

- If the cruise control system malfunctions, it cancels automatically. The cruise indicator light in the instrument panel then blinks to warn the driver.
- When the cruise indicator light blinks, turn the cruise control main switch off and have the system checked by your NISSAN dealer.

- The cruise indicator light may blink when the cruise control main switch is turned ON while pushing the RES/ACCEL, COAST/SET, or CANCEL switch (located on the steering wheel). To properly set the cruise control system perform the steps above in the order indicated.

### **Avoid using the cruise control when driving under the following conditions:**

- when it is not possible to keep the vehicle at a set speed.
- in heavy traffic or in traffic that varies in speed.
- on winding roads, or hilly roads.
- on slippery roads (rain, snow, ice, etc.).
- in very windy areas.

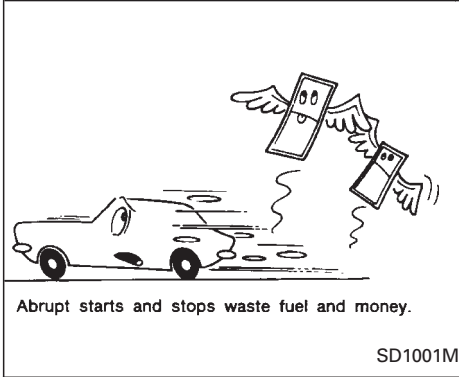
### CAUTION

**On manual transmission models, do not shift into neutral without depressing the clutch pedal when the cruise control is on. Should this occur, depress the clutch pedal and turn the main switch off immediately. Failure to do so may cause engine damage.**

During the first 1,000 miles (1,600 km), follow these recommendations for the future reliability and economy of your new vehicle. Failure to follow these recommendations may result in vehicle damage or shortened engine life.

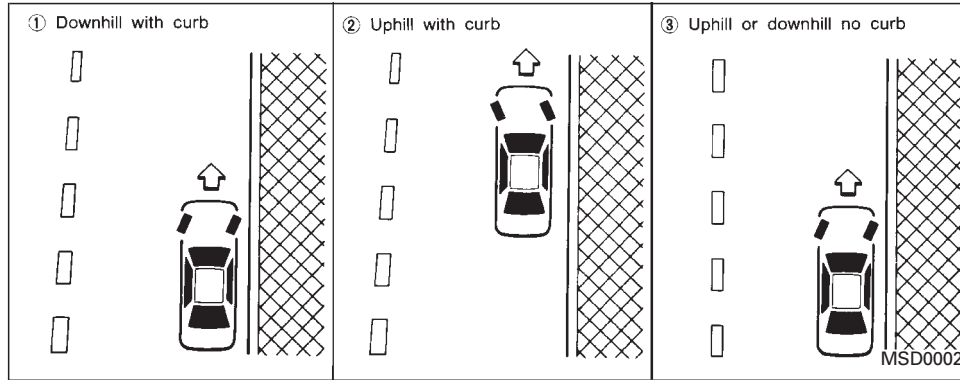
- Do not drive over 55 MPH (90 km/h) and do not run the engine over 4,000 rpm. Avoid driving for long periods at constant speed, either fast or slow.
- Do not accelerate at full throttle in any gear.
- Avoid quick starts.
- Avoid hard braking as much as possible.
- Do not tow a trailer for the first 500 miles (800 km).

## INCREASING FUEL ECONOMY



- Accelerate slowly and smoothly. Maintain cruising speeds with a constant accelerator position.
- Drive at moderate speeds on the highway. Driving at high speed lowers fuel economy.
- Avoid unnecessary stopping and braking. Maintain a safe distance behind other vehicles.
- Use a proper gear range which suits road conditions. On level roads, shift into high gear as soon as possible.
- Avoid unnecessary engine idling.
- Keep your engine tuned up.
- Follow the recommended periodic maintenance schedule.
- Keep the tires inflated at the correct pressure. Low pressure increases tire wear and waste fuel.
- Keep the front wheels in correct alignment. Improper alignment causes not only tire wear but also lower fuel economy.
- Air conditioner operation lowers fuel economy. Use the air conditioner only when necessary.
- When cruising at highway speeds, it is more economical to use the air conditioner and leave the windows closed to reduce drag.

# PARKING/PARKING ON HILLS



## ⚠ CAUTION

**Do not park the vehicle over flammable materials such as dry grass, waste paper or rags, as they may burn easily.**

1. Firmly apply the parking brake.
2. **Manual transmission models:**

Place the gearshift lever in the R (Reverse) position. When parking on an uphill grade, place the gearshift lever in the 1st position.

**Automatic transmission models:**

Move the gearshift lever to the P (Park) position.

## ⚠ CAUTION

**Safe parking procedures require that both the parking brake be set and the transmission placed into P (Park) position. Make sure the shift lever has been pushed as far forward as it can go and cannot be moved without depressing the button at the end of the lever.**

3. To help prevent the vehicle from rolling into the street when parked on a sloping

driveway, it is a good practice to turn the wheels as illustrated.

- **HEADED DOWNHILL WITH CURB:①**  
Turn the wheels into the curb and move the vehicle forward until the curb side wheel gently touches the curb.
- **HEADED UPHILL WITH CURB:②**  
Turn the wheels away from the curb and move the vehicle back until the curb side wheel gently touches the curb.
- **HEADED UPHILL OR DOWNHILL, NO CURB:③**

Turn the wheels toward the side of the road so the vehicle will move away from the center of the road if it moves.

4. Turn the ignition key to the LOCK position and remove the key.

## ⚠ CAUTION

- **Never leave the engine running while the vehicle is unattended.**
- **Never leave children unattended in the vehicle.**

## PRECAUTIONS WHEN DRIVING

- **Driving with vacuum assisted brakes:**

The brake booster aids braking by using engine vacuum. If the engine stops, you can stop the vehicle by depressing the brake pedal. However, greater foot pressure on the brake pedal will be required to stop the vehicle and the stopping distance will be longer.

- **Driving with the power assisted steering:**

The power assisted steering is designed to use a hydraulic pump, driven by the engine, to assist steering.

If the engine stops or the drive belt breaks, you will still have control of the vehicle. However, much greater steering effort is needed, especially in sharp turns or at low speeds.

- **Wet brakes:**

When the vehicle is washed or driven through water, the brakes may get wet. As a result, your braking distance will be longer and the vehicle may pull to one side during braking.

To dry brakes, drive the vehicle at a safe speed while lightly pressing the brake

pedal to heat-up the brakes. Do this until the brakes return to normal. Avoid driving the vehicle at high speeds until the brakes function correctly.

- Avoid resting your foot on the brake pedal while driving. This will overheat the brakes, wear out the brake linings and pads faster and reduce gas mileage.
- To help save the brakes and to prevent the brakes from overheating, reduce speed and downshift to a lower gear before going down a slope or long grade. Overheated brakes may reduce braking performance and could result in loss of vehicle control.
- While driving on a slippery surface, be careful when braking, accelerating or downshifting. Abrupt braking actions or sudden acceleration could cause the wheels to skid.

## ANTI-LOCK BRAKE SYSTEM (ABS) (If so equipped)

The anti-lock brake system controls the brakes at each wheel so the wheels do not lock when braking abruptly or when braking on slippery surfaces. The system detects the rotation speed at each wheel and varies the brake fluid pressure to prevent each wheel from locking and sliding. By preventing wheel lockup, the system helps the driver maintain steering control and helps to minimize swerving and spinning on slippery surfaces.

### Using the system

Depress the brake pedal and hold it down.

**It is not necessary to pump the brake pedal.**

Doing so may result in increased stopping distances.

### Normal operation

The anti-lock brake system does not operate at speeds below 3 to 6 MPH (5 to 10 km/h) to completely stop the vehicle. (The speeds vary according to road conditions.) When the anti-lock system senses that one or more wheels are close to locking up, the actuator (under the hood) rapidly applies and releases hydraulic pressure (like pumping the brakes very quickly). While the ac-

tuator is working, you may feel a pulsation in the brake pedal and hear a noise or vibration from the actuator under the hood. This is normal and indicates that the anti-lock system is working properly. However, the pulsation may indicate that road conditions are hazardous and extra care is required while driving.

### Self-test feature

The anti-lock brake system consists of electronic sensors, electric pumps, and hydraulic solenoids controlled by a computer. The computer has a built-in diagnostic feature that tests the system each time you start the engine and move the vehicle at a low speed in forward or reverse. When the “self-test” occurs, you may hear a “clunk” noise and/or feel a “pulsation” in the brake pedal. This is normal and is not an indication of any malfunction. If the computer senses any malfunction, it switches the anti-lock brake system OFF and turns on the ABS brake warning light in the dashboard. The brake system then operates normally, but without anti-lock assistance.

If the light comes on during the self check, or while driving, take your vehicle to your NISSAN dealer for repair at your earliest convenience.

### WARNING

**The anti-lock brake system is a sophisticated device, but it cannot prevent accidents resulting from careless or dangerous driving techniques. It can help maintain vehicle control during braking on slippery surfaces, but remember that the stopping distance on slippery surfaces will be longer than on normal surfaces, even with the anti-lock system. Stopping distances may also be longer on rough, gravel or snow covered roads, or if you are using tire chains. Always maintain a safe distance from the vehicle in front of you. Ultimately, the responsibility for safety of self and others rests in the hands of the driver.**

**Tire type and condition may also affect braking effectiveness.**

- **When replacing tires, install the specified size of tires on all 4 wheels.**
- **When installing a spare tire, make sure it is the proper size and type as specified on the tire placard. For tire placard location information, refer to “Tire placard” in the Owner’s Manual index.**

**Refer to “Wheels and tires” in the “Do-it-yourself operations” section of this manual.**



## COLD WEATHER DRIVING CAUTIONS

### Freeing a frozen door lock

To prevent a door lock from freezing, apply de-icer or glycerin to it through the key hole. If the lock becomes frozen, heat the key before inserting it into the key hole.

### Anti-freeze

In the winter when it is anticipated that the temperature will drop below 32°F (0°C), check the anti-freeze (ethylene glycol base) to assure proper winter protection. For details, see “Engine cooling system” in the “Do-it-yourself operations” section.

### Battery

If the battery is not fully charged during extremely cold weather conditions, the battery fluid may freeze and damage the battery. To maintain maximum efficiency, the battery should be checked regularly. For details, see “Battery” in the “Do-it-yourself operations” section.

### Draining of coolant water

If the vehicle is to be left outside without anti-freeze, drain the cooling system by opening the drain valves located under the radiator and on the engine block. Refill

before operating the vehicle. See “Changing Engine Coolant” in the “Do-it-yourself operations” section.

### Tire equipment

1. The SUMMER tires are of a tread design to provide superior performance on dry pavement. However, the performance of these tires will be substantially reduced in snowy and icy conditions. If you operate your vehicle on snowy or icy roads, NISSAN recommends the use of MUD & SNOW or ALL SEASON TIRES on all four wheels. Please consult your NISSAN dealer for the tire type, size, speed rating and availability information.
2. For additional traction on icy roads, studded tires may be used. However, some provinces and states prohibit their use. Check local, state and provincial laws before installing studded tires.

**Skid and traction capabilities of studded snow tires on wet or dry surfaces may be poorer than that of non-studded snow tires.**

3. Snow chains may be used if desired. Make sure they are of proper size for the tires on your vehicle and are installed

according to the chain manufacturer’s suggestions.

Use of tire chains may be prohibited according to location. Check the local laws before installing tire chains. When installing tire chains, make sure they are of proper size for the tires on your vehicle and are installed according to the chain manufacturer’s suggestions. **Use only SAE Class “S” chains.** Use chain tensioners when recommended by the tire chain manufacturer to ensure a tight fit. Loose end links of the tire chain must be secured or removed to prevent the possibility of whipping action damage to the fenders or underbody. If possible, avoid fully loading your vehicle when using tire chains. In addition, drive at a reduced speed, otherwise, your vehicle may be damaged and/or vehicle handling and performance may be adversely affected.

Never install tire chains on T-type and small size spare tires. Do not use the chains on dry roads.

### Special winter equipment

It is recommended that the following items be carried in the vehicle during winter:

1. A scraper and stiff-bristled brush to remove ice and snow from the windows and wiper blades.
2. A sturdy, flat board to be placed under the jack to give it firm support.
3. A shovel to dig the vehicle out of snow-drifts.
4. Extra window washer fluid to refill the reservoir tank.

### Driving on snow or ice

- **Wet ice (32°F, 0°C and freezing rain), very cold snow or ice can be slick and very hard to drive on. The vehicle will have a lot less traction or “grip” under these conditions. Try to avoid driving on wet ice until the road is salted or sanded.**
- **Whatever the condition, drive with caution and accelerate gently. If accelerated too fast, the drive wheels will spin and will lose even more traction.**
- **Allow more stopping distance under these conditions. Braking should be started sooner than on dry pavement.**

- **Allow greater following distances on slippery roads.**
- **Watch for slippery spots (glare ice). These may appear on an otherwise clear road in shaded areas. If a patch of ice is seen ahead, brake before reaching it. Try not to brake while actually on the ice, and avoid any sudden steering maneuvers.**

### Engine block heater



#### WARNING

Do not use your heater (if so equipped) with an ungrounded electrical system or two-pronged (cheater) adapters. You can be injured by an electrical shock if you use an ungrounded connection.

**MEMO**

# 5 In case of emergency

Flat tire .....	5-2
Jump starting.....	5-7
Push starting .....	5-8
If your vehicle overheats .....	5-9
Tow truck towing .....	5-10



# FLAT TIRE

If you have a flat tire, follow the instructions below.

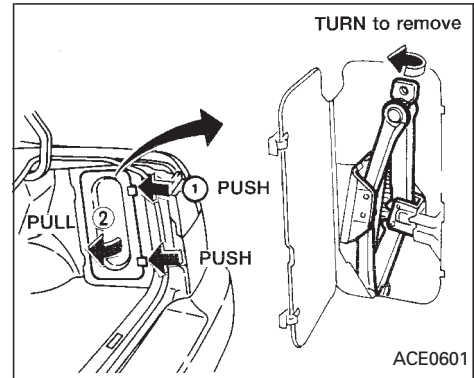
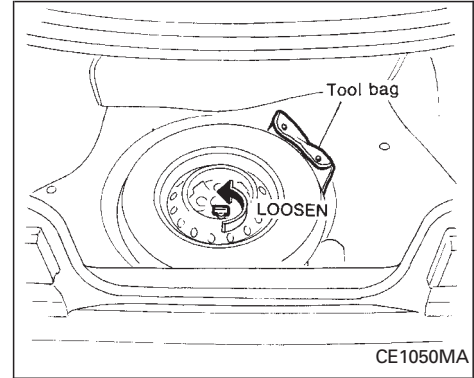
## Stopping the vehicle

1. Safely move the vehicle off the road away from traffic.
2. Turn on the hazard warning flashers.
3. Park on a level surface and apply the parking brake. Shift the manual transmission into reverse (automatic transmission in P).
4. Turn off the engine.

### WARNING

- Make sure that the parking brake is securely applied and the manual transmission is shifted into reverse (automatic transmission in P).
- Never change tires when the vehicle is on a slope, ice or slippery areas. This is dangerous.
- Never change tires if oncoming traffic is close to your vehicle. Wait for professional road assistance.

- Raise the hood to warn other traffic, and to signal professional road assistance personnel that you need assistance.
- Have all passengers get out of the vehicle and stand in a safe place, away from traffic and clear of the vehicle.



## Getting the spare tire and tools

1. Open the trunk. Lift the trunk floor carpeting and spare tire cover. Remove the tool bag and the spare tire. Use either end of the jack rod (found in the tool bag) to loosen the spare tire hold-down bolt.

Push the two release clips on the jack access door.

2. Pull the jack access door open. To remove the jack, turn the jack screw counterclockwise. Use either end of the jack rod (found in the tool bag) to loosen the jack from its storage position.

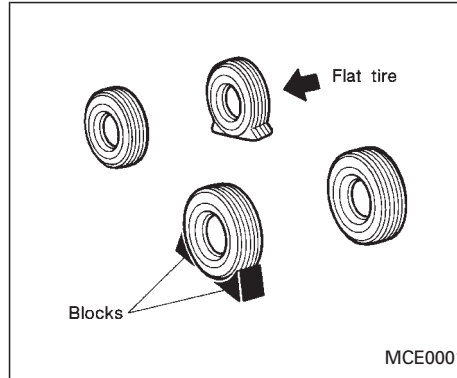
3. Close the jack access door.

4. When the spare tire is installed on the vehicle, place the damaged tire in the storage area. Put the jack rod in the tool bag and place the tool bag in the storage area.

5. Place the spare tire cover and the trunk floor carpeting over the damaged tire.

6. Install the jack in its storage area and tighten the jack screw.

7. Close the jack access door. Close the trunk.

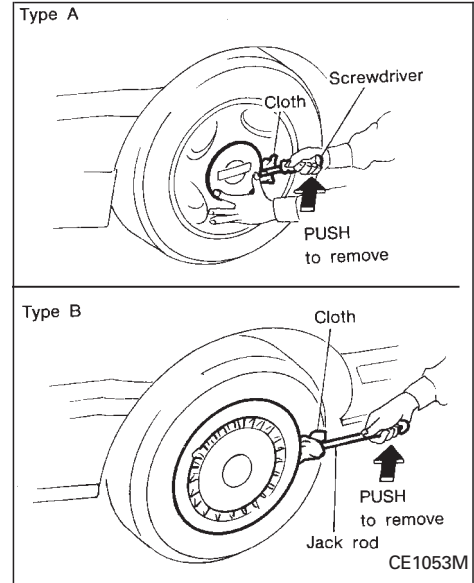


### Blocking wheels

Place suitable blocks at both the front and back of the wheel diagonally opposite the flat tire to prevent the vehicle from rolling when it is jacked up.

#### **⚠ WARNING**

**Be sure to block the wheel as the vehicle may move and could cause personal injury.**

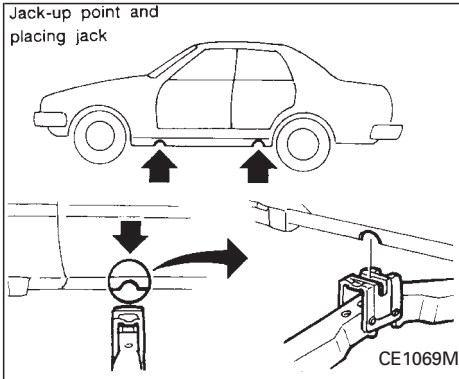


### Removing wheel cover

#### **⚠ WARNING**

**Do not use your hands to pry off wheel covers. Doing so could result in personal injury.**

Use caution not to scratch the wheel cover.

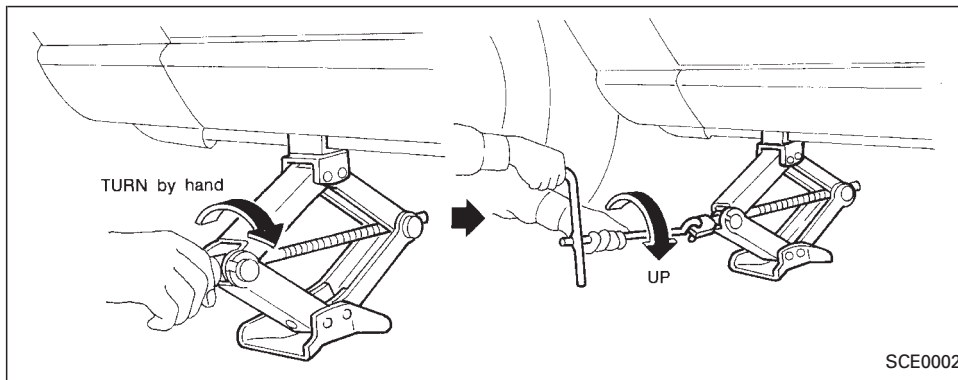


The jack should be used on level firm ground.

Jacking up the vehicle and removing the wheel

**To help avoid personal injury, carefully read the caution label attached to the jack body and follow these instructions.**

1. Place the jack directly under the jack-up point as illustrated above so that the top of the jack contacts the vehicle at the jack-up point. Align the center of both the jack head and the notch at the jack-up point as shown. Also fit the notched portion of the vehicle in the groove of the jack head as shown.



SCE0002

2. Loosen each wheel nut one or two turns by turning counterclockwise with the wheel nut wrench. **Do not remove the wheel nuts until the tire is off the ground.**
3. Carefully raise the vehicle until the tire clears the ground. Remove the wheel nuts, and then remove the wheel.

**⚠ CAUTION**

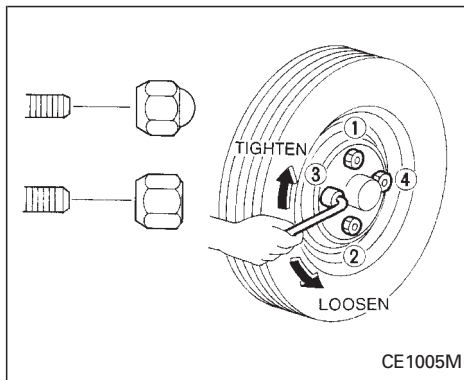
- **Never get under the vehicle while it is supported only by the jack.**

- **Use the jack provided with your vehicle. Do not use the jack provided with your vehicle on other vehicles. The jack is designed only for lifting your vehicle during a tire change.**
- **To lift the vehicle, securely hold the jack lever and rod with both hands as shown above.**
- **Use the correct jack-up points; never use any other part of the vehicle for jack support.**

- **Never jack up the vehicle more than necessary.**
- **Never use blocks on or under the jack.**
- **Do not start or run engine while vehicle is on the jack as it may cause the vehicle to move.**
- **Do not allow passengers to stay in the vehicle while it is on the jack.**
- **Do not raise the vehicle using a bumper jack.**
- **Never run the engine with a wheel off the ground. It may cause the vehicle to move.**

This is especially true for models equipped with limited slip differential carrier.





## Installing wheel

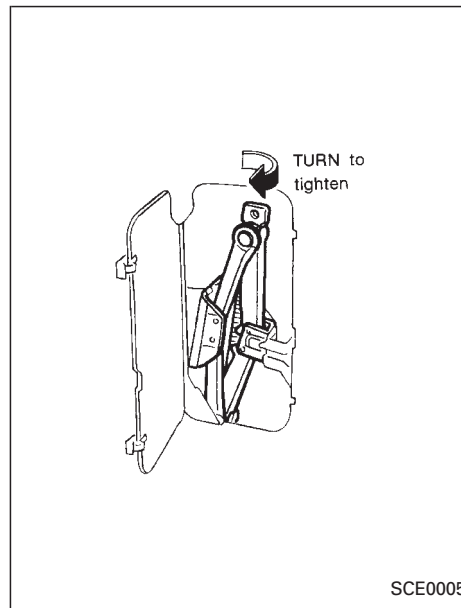
The T-type spare tire is designed for emergency use. See specific instructions under the heading “Wheels and tires” in the “Do-it-yourself operations” section.

1. Clean any mud or dirt from the surface between the wheel and hub.
2. Carefully put the wheel on and tighten the wheel nuts finger tight.
3. With the wheel nut wrench, tighten wheel nuts alternately and evenly until they are tight.

4. Lower the vehicle slowly until the tire touches the ground. Then, with the wheel nut wrench, tighten the wheel nuts securely in the sequence as illustrated.

### **⚠ CAUTION**

- As soon as possible tighten the wheel nuts to the specified torque with a torque wrench.  
**Wheel nut tightening torque:  
 72 to 87 ft-lb (98 to 118 N•m)**
- Adjust tire pressure to the **COLD** pressure.



### **COLD pressure:**

**After vehicle has been parked for three hours or more or driven less than 1 mile (1.6 km).**

**COLD tire pressures are shown on the**

## JUMP STARTING

tire placard affixed to the driver side center pillar.

- Retighten the wheel nuts when the vehicle has been run for 600 miles (1,000 km).
- 5. Securely store the spare tire and jacking equipment in the vehicle.

### WARNING

- Always make sure that the spare tire and jacking equipment are properly secured after use. The jack rod may be used to securely tighten the hold-down bolts. Such items can become dangerous projectiles in an accident or sudden stop.
- The T-type spare tire and small size spare tire are designed for emergency use. See specific instructions under the heading “Wheels and tires” in the “Do-it-yourself operations” section.

To start your engine with a booster battery, the instructions and precautions below must be followed.

### CAUTION

- If done incorrectly, jump starting can be hazardous.
- Explosive hydrogen gas is always present in the vicinity of the battery. Keep all sparks and flames away from the battery.
- Do not allow battery fluid to come into contact with eyes, skin, cloth or painted surfaces. Battery fluid is a corrosive sulfuric acid solution which can cause severe burns. If the fluid should come into contact with anything, immediately flush the contacted area with water.
- A battery rated at above 12 volts should not be used for a booster.
- Whenever working on or near a battery, always wear suitable eye protectors (e.g., goggles or industrial safety spectacles) and remove rings, metal bands, or any other metal jewelry.
- Keep battery out of the reach of children.

**Always follow the instructions below. Failure to do so could result in damage to the charging system and cause personal injury.**

1. If the booster battery is in another vehicle, position the two vehicles to bring their batteries into close proximity to each other.

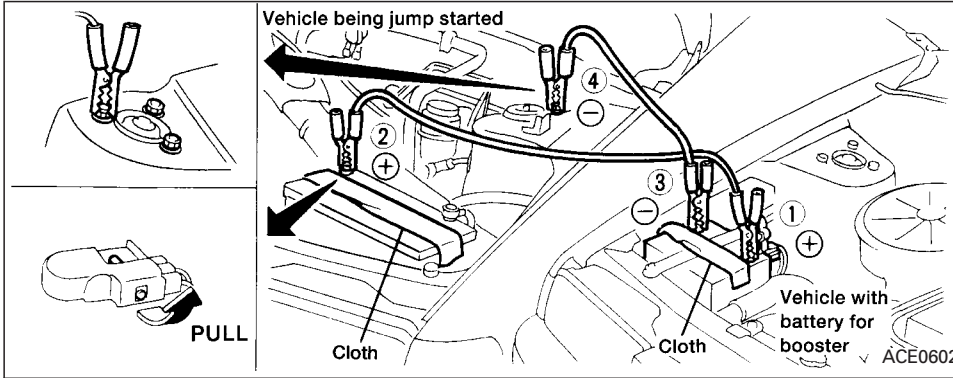
**Do not allow the two vehicles to touch.**

2. Apply the parking brake. Move the shift lever to Neutral (On automatic transmission models, move the lever to P). Switch off all unnecessary electrical systems (lights, heater, air conditioner, etc.).
3. Remove vent caps on the battery (if so equipped). Cover the battery with an old cloth to reduce explosion hazard.
4. Connect jumper cables in the sequence as illustrated.

### CAUTION

- Always connect positive (+) to positive (+) and negative (-) to body ground (e.g., strut mounting bolt, etc. — not to the battery).

## PUSH STARTING



- Make sure that cables do not touch moving parts in the engine compartment and that clamps do not contact any other metal.

5. Start the engine of the booster vehicle and let it run for a few minutes.
6. Keep the engine speed of the booster vehicle at about 2,000 rpm, and start your engine in the normal manner.

### ⚠ CAUTION

Do not keep the starter motor engaged for more than 10 seconds. If the engine does not start right away, turn the key off and wait 3 to 4 seconds before trying again.

7. After starting your engine, carefully disconnect the negative cable and then the positive cable.
8. Replace the vent caps (if so equipped). Be sure to dispose of the cloth used to cover the vent holes as it may be contaminated with corrosive acid.

### ⚠ CAUTION

- Automatic transmission models cannot be push started. This may cause transmission damage.
- Three-way catalytic converter equipped models should not be started by pushing since the three way catalyst may be damaged.
- Never try to start the vehicle by towing it; when the engine starts, the forward surge could cause the vehicle to collide with the tow vehicle.

## IF YOUR VEHICLE OVERHEATS

If your vehicle is overheating (indicated by an extremely high temperature gauge reading), or if you feel a lack of engine power, detect abnormal noise, etc., take the following steps:

### WARNING

**To avoid the danger of being scalded, never remove the radiator cap while the engine is still hot. When the radiator cap is removed, pressurized hot water will spurt out, possibly causing serious injury.**

1. Move the vehicle safely off the road, apply the parking brake and move the gearshift lever to Neutral (automatic transmission to P).

#### **Do not stop the engine.**

2. Turn off the air conditioning. Open all the windows, move the heater or air conditioner temperature control to maximum hot and fan control to high speed.
3. Get out of the vehicle. Look and listen for steam or coolant escaping from the radiator before opening the hood. Wait until no steam or coolant can be seen before proceeding.

4. Open the engine hood.

### WARNING

**If steam or water is coming from the engine, stand clear to prevent getting burned.**

5. If engine overheating is caused by climbing a long hill on a hot day, run the engine at a fast idle (approximately 1,500 rpm) until the temperature gauge indication returns to normal.
6. Visually check drive belts for damage or looseness. Also check if the cooling fan is running. The radiator hoses and radiator should not leak water.

### WARNING

- **Be careful not to allow your hands, hair or clothing to come into contact with, or to get caught in, the running fan, belts, or fan motor. The fan motor can start at any time when the coolant temperature is high.**
- **If coolant is leaking, the water pump belt is missing or loose, or the cooling fan does not run, stop the engine.**

7. After the engine cools down, check the coolant level in the reservoir tank with the engine running. Add coolant to the reservoir tank if necessary. Have your vehicle repaired at the nearest NISSAN dealer.

## TOW TRUCK TOWING

When towing your vehicle, all State (Provincial in Canada) and local regulations for towing must be followed. Incorrect towing equipment could damage your vehicle. Towing instructions are available from your NISSAN dealer. Local service operators are generally familiar with the applicable laws and procedures for towing. To assure proper towing and to prevent accidental damage to your vehicle, NISSAN recommends having a service operator tow your vehicle. It is advisable to have the service operator carefully read the following precautions.

### CAUTION

- When towing, make sure that the transmission, axles, steering system and powertrain are in working condition. If any unit is damaged, a dolly must be used.
- When towing with the front wheels on the ground:  
Turn the ignition key to the "OFF" position and secure the steering wheel in a straight ahead position with a rope or similar device. Never place the ignition key in the "LOCK"

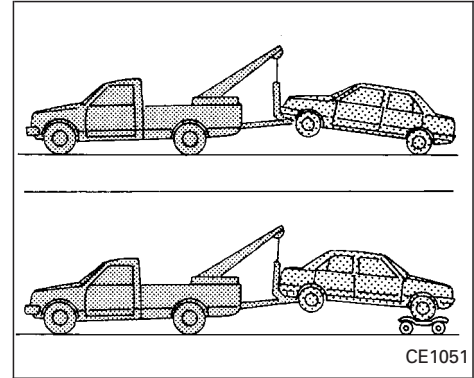
**position. This will result in damage to the steering lock mechanism.**

**Move the gearshift lever to the Neutral ("N") position.**

**On automatic transmission models, to move the shift lever to the Neutral ("N") position turn the ignition key to the "ACC" position.**

**After moving the shift lever to the Neutral ("N") position, be sure to turn the ignition key to the "OFF" position.**

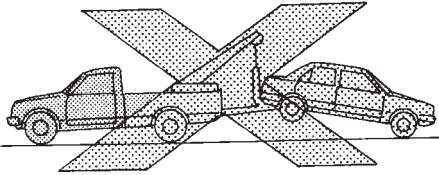
- When towing with the rear wheels on the ground, release the parking brake.  
On automatic transmission models, to move the shift lever to the Neutral ("N") position, turn the ignition key to the "ACC" position. After moving the shift lever to the Neutral position, be sure to turn the ignition key to the "OFF" position.
- Attach safety chains for all towing.



NISSAN recommends that your vehicle be towed with the driving (front) wheels off the ground as illustrated.

- Speed: Below 70MPH (115 km/h)
- Distance: Less than 500 miles (800 km)

Automatic transmission model



CE1052

Towing an automatic transmission model with rear wheels raised (with front wheels on the ground)

**⚠ CAUTION**

**Never tow an automatic transmission model with the rear wheels raised (with the front wheels on the ground) as this may cause serious and expensive damage to the transmission. If it is necessary to tow the vehicle with the rear wheels raised, always use a towing dolly under the front wheels.**

If you have to tow an automatic transmission model with four wheels on ground

Observe the following restricted towing speeds and distances.

- **Speed: Below 30 MPH (50 km/h)**
- **Distance: Less than 40 miles (65 km)**

**⚠ CAUTION**

**Never tow an automatic transmission model from the rear (i.e., backward) with four wheels on the ground as this may cause serious and expensive damage to the transmission.**

**VEHICLE RECOVERY (Freeing a stuck vehicle)**

- Tow chains or cables must be attached only to the main structural members of the vehicle.
- Pulling devices should be routed so they do not touch any part of the suspension, steering, brake or cooling systems.
- Always pull the cable straight out from the front or rear of the vehicle. Never pull

on the vehicle at a sideways angle.

- Pulling devices such as ropes or canvas straps are not recommended for use in vehicle towing or recovery.

**MEMO**

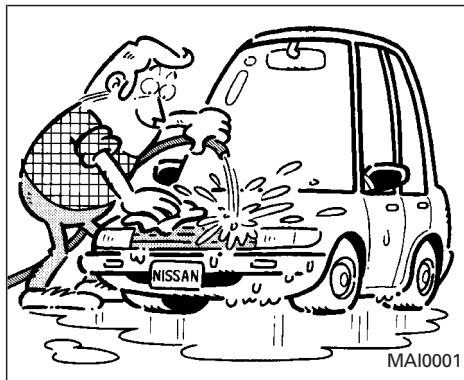
# 6 Appearance and interior care

Cleaning exterior and interior.....	6-2
Corrosion protection.....	6-5





## CLEANING EXTERIOR AND INTERIOR



In order to maintain the appearance of your vehicle, it is important to take proper care of it.

In the following cases, please wash your vehicle as soon as possible to protect the paint surface.

- After a rainfall
- After driving on coastal roads
- When things such as soot, bird droppings, tree sap, metal particles or bugs get on the paint surface

- When dust or mud builds up on the surface

Whenever possible, store or park your vehicle inside a garage or in a covered area.

When it is necessary to park outside, park in a shady area or protect the vehicle with a body cover.

**Be careful not to scratch the paint surface when putting on or removing the body cover.**

### Washing

Wash dirt off with a wet sponge and plenty of water. Clean the vehicle thoroughly using a mild soap or detergent (a special vehicle soap or general purpose dish-washing liquid) mixed with clean, lukewarm (never hot) water.

#### CAUTION

**Do not use strong household soap, strong chemical detergents, gasoline or solvents.**

Rinse the vehicle thoroughly with plenty of clean water.

Inside flanges, seams and folds on the doors, hatches and hood are particularly vulnerable to the effects of road salt. Therefore, these areas must be regularly cleaned. Take care that the drain holes in the lower edge of the door are open. Spray water under the body and in the wheel wells to loosen the dirt and wash away road salt.

A damp chamois can be used to dry the vehicle to avoid water spots.

### Waxing

Regular waxing protects the paint surface and helps retain new vehicle appearance. After waxing, polishing is recommended to remove built-up residue and to avoid a “weathered” appearance.

Your NISSAN dealer can assist you in choosing the proper product.

- Wax your vehicle only after a thorough washing. Follow the instructions supplied with the wax.
- Do not use a wax containing any abrasives, cutting compounds or cleaners that may damage the vehicle finish.
- If the surface does not polish easily, use a “road tar” remover and wax again.

Machine compounding or aggressive polishing on a base coat/clear coat paint finish may dull the finish or leave swirl marks.

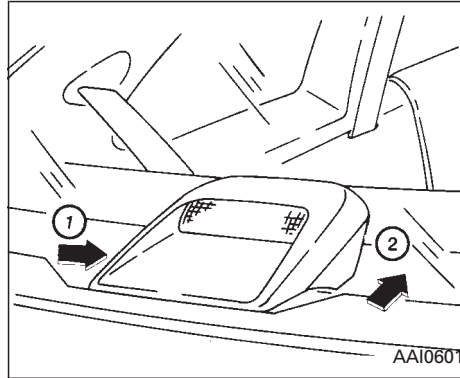
Only use black wax or black shoe polish on black urethane or polypropylene bumpers.

### Removing spots

Remove tar and oil spots, industrial dust, insects, and tree sap as quickly as possible from the surface of the paint to avoid lasting damage or staining. Special cleaning products are available at your NISSAN dealer or any automotive accessory store.

### Underbody

In areas where road salt is used in winter, the underbody must be cleaned regularly. This prevents dirt and salt from building up and causing underbody and suspension corrosion. Before winter and again in the spring, the underseal must be checked and, if necessary, re-treated.



### Cleaning glass

When cleaning the rear window, it may be easier to clean if the high-mounted stop light is removed first.

Be careful when removing the high-mounted stop light to reduce the risk of damaging the high-mounted stop light wires.

The high-mounted stop light must be properly reinstalled before driving your vehicle.

Use glass cleaner to remove smoke and dust film from the glass surfaces. It is normal for glass to become coated with a film

after the vehicle is parked in the hot sun. Glass cleaner and a soft cloth easily remove this film.

### **CAUTION**

**When cleaning the inside of the window, do not use sharp-edged tools, abrasive cleaners or chlorine based disinfectant cleaners. They could damage electrical conductors or rear window defogger elements.**

### Cleaning alloy wheels

Wash the wheels regularly, especially during winter months in areas where road salt is used. If not removed, road salt could discolor the wheels.

### Chrome parts

Clean all chrome parts regularly with a non-abrasive chrome polish to maintain the finish.

### Plastic parts

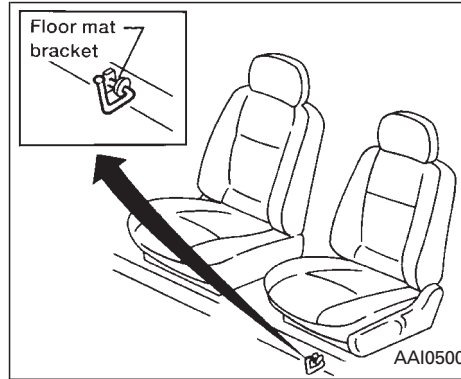
Plastic parts can be cleaned with a mild soap solution. If the dirt cannot be easily removed, use a plastic cleaner. Do not use solvents.

## Cleaning interior

Occasionally remove loose dust from the interior trim and seats using a vacuum cleaner or soft brush. Wipe the vinyl and leather surfaces with a clean, soft cloth dampened in mild soap solution, then wipe clean with a dry soft cloth. Before using any fabric protector, read the manufacturer's recommendations. Some fabric protectors contain chemicals that may stain or bleach the seat material.

### CAUTION

- **Never use benzine, thinner, or any similar material.**
- **The leather seats should be regularly coated with a leather wax like saddle soap. Never use car wax.**
- **Never use fabric protectors unless recommended by the manufacturer.**



### Floor mat positioning aid (Driver side only)

All models include a front floor mat bracket to act as a floor mat positioning aid. NISSAN floor mats have been specially designed for your vehicle model. The driver's side floor mat has a grommet hole incorporated in it. Simply position the mat by placing the floor mat bracket hook through the floor mat grommet hole while centering the mat in the floor pan contour.

Periodically check to make certain the mats are properly positioned.

## Floor mats

The use of genuine NISSAN floor mats can extend the life of your vehicle carpet and make it easier to clean the interior. No matter what mats are used, be sure they are fitted for your vehicle and are properly positioned in the footwell to prevent interference with pedal operation. Mats should be maintained with regular cleaning and replaced if they become excessively worn.

## Seat belts

The seat belts can be cleaned by wiping them with a sponge dampened in a mild soap solution. Allow the belts to dry completely before using them. Do not allow wet belts to roll up in the retractor. **NEVER** use bleach, dye, or chemical solvents since these may severely weaken the seat belt webbing.

# CORROSION PROTECTION

Most common factors contributing to vehicle corrosion:

1. The accumulation of moisture-retaining dirt and debris in body panel sections, cavities, and other areas.
2. Damage to paint and other protective coatings caused by gravel and stone chips or minor traffic accidents.

Environmental factors influence the rate of corrosion:

## Moisture

Accumulation of sand, dirt and water on the vehicle body underside can accelerate corrosion. Wet floor coverings will not dry completely inside the vehicle, and should be removed for drying to avoid floor panel corrosion.

## Relative humidity

Corrosion will be accelerated:

- In areas of high relative humidity
- especially in those areas where the temperatures stay above freezing
- where atmospheric pollution exists

- where road salt is used

## Temperature

A temperature increase accelerates the rate of corrosion to those parts which are not well ventilated.

## Air pollution

Industrial pollution, the presence of salt in the air in coastal areas, or heavy road salt use accelerates the corrosion process. Road salt also accelerates the disintegration of paint surfaces.

To protect your vehicle from corrosion:

- Wash and wax your vehicle often to keep the vehicle clean.
- Always check for minor damage to the paint and repair it as soon as possible.
- Keep drain holes at the bottom of the doors open to avoid water accumulation.
- Check the underbody for accumulation of sand, dirt or salt. If present, wash with water as soon as possible.
- **NEVER remove dirt, sand or other debris from the passenger compart-**

**ment by washing it out with a hose. Remove dirt with a vacuum cleaner or broom.**

- **Never allow water or other liquids to come in contact with electronic components inside the vehicle.**

**MEMO**

# 7 Do-it-yourself operations

Maintenance precautions .....	7-2	Wiper blades .....	7-20
Engine compartment check locations .....	7-3	Parking brake check.....	7-21
Engine cooling system .....	7-5	Brake pedal .....	7-21
Engine oil .....	7-8	Brake booster .....	7-22
Automatic transmission fluid .....	7-11	Clutch pedal .....	7-23
Power steering fluid.....	7-13	Fuses.....	7-23
Brake fluid .....	7-13	Light bulbs .....	7-25
Window washer fluid .....	7-14	Headlight aiming adjustment.....	7-26
Battery .....	7-15	Bulb replacement .....	7-26
Drive belts .....	7-17	Wheels and tires .....	7-32
Spark plug replacement .....	7-18		
Air cleaner housing filter .....	7-19		



## MAINTENANCE PRECAUTIONS

When performing any inspection or maintenance work on your vehicle, always take care to prevent serious accidental injury to yourself or damage to the vehicle. The following are general precautions which should be closely observed.

- **Park the vehicle on a level surface, apply the parking brake securely and block the wheels to prevent the vehicle from moving. Move the gearshift control lever to Neutral (N).**
- **Be sure the ignition key is OFF when performing any parts replacement or repairs.**
- **Do not work under the hood while the engine is hot. Turn the engine off and wait until it cools down.**
- **Be sure to turn the ignition key to the OFF or LOCK position. When the ignition key is in the ON or ACC position, the cooling fan may start to operate suddenly even when the engine is not running.**
- **If you must work with the engine running, keep your hands, clothing, hair and tools away from moving fans, belts and any other moving parts.**
- **It is advisable to remove ties and any jewelry, such as rings, watches, etc., before working on your vehicle.**
- **If you must run the engine in an enclosed space such as a garage, be sure there is proper ventilation for exhaust gases.**
- **Never get under the vehicle while it is supported only by a jack. If it is necessary to work under the vehicle, support it with safety stands.**
- **Keep smoking materials, flame and sparks away from fuel and battery.**
- **Never connect or disconnect either the battery or any transistorized component connector while the ignition is on.**
- **On gasoline engine models with the Multiport Fuel Injection (MFI) system, the fuel filter or fuel lines should be serviced by a NISSAN dealer because the fuel lines are under high pressure even when the engine is off.**
- **Failure to follow these or other common sense guidelines may lead to serious injury or vehicle damage.**

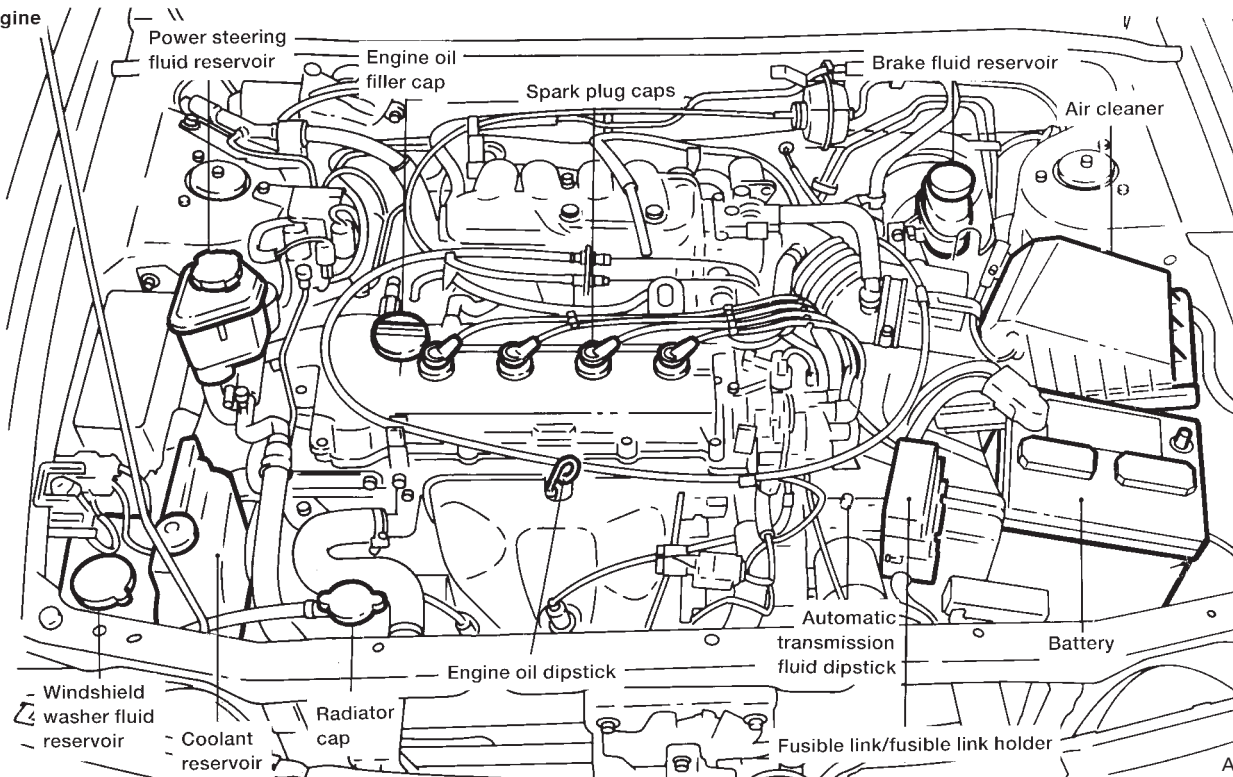
- **Improperly disposed motor oil and/or other vehicle fluids can hurt the environment. Always conform to local regulations for disposal of vehicle fluid. Avoid contact with used motor oil.**

This “Do-it-yourself operations” section gives instructions regarding only those items which are relatively easy for an owner to perform.

You should be aware that incomplete or improper servicing may result in operating difficulties or excessive emissions, and could affect your warranty coverage. **If in doubt about any servicing, have it done by your NISSAN dealer.**

# ENGINE COMPARTMENT CHECK LOCATIONS

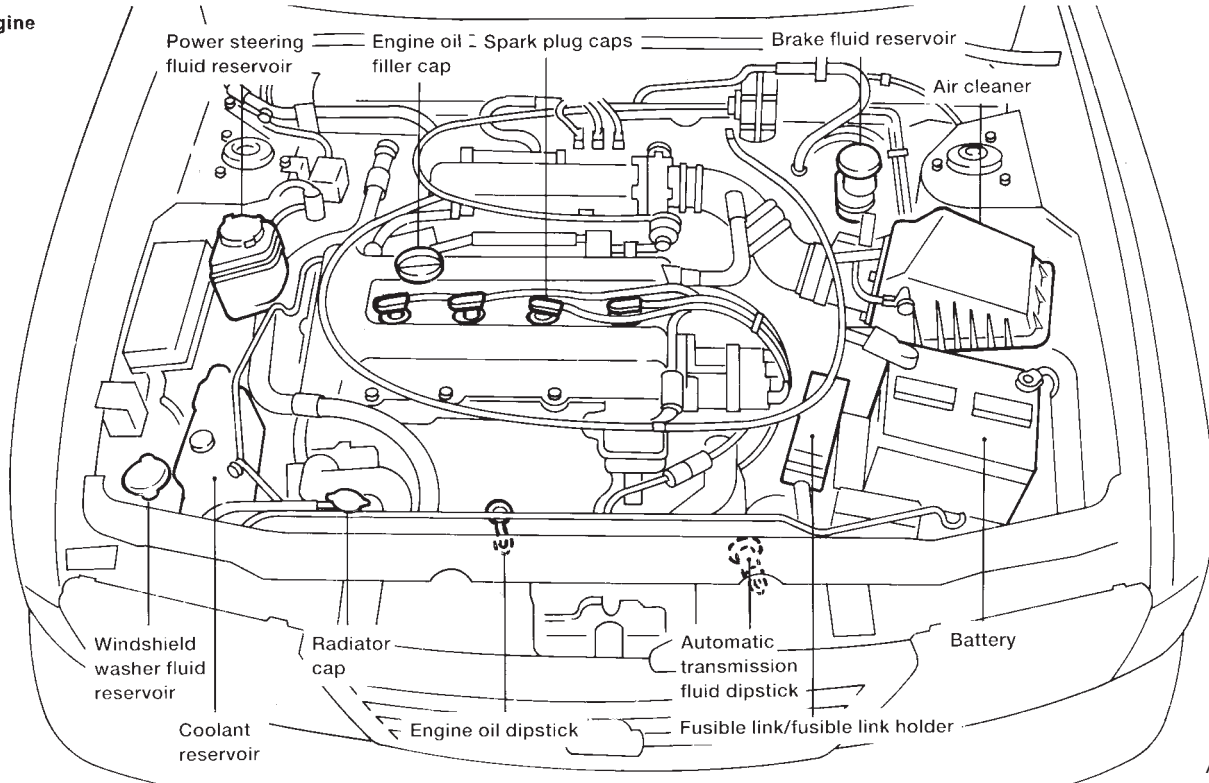
GA16DE engine



ADI0620



SR20DE engine



ADI0621

## ENGINE COOLING SYSTEM

The engine cooling system is filled at the factory with a high-quality, year-round, anti-freeze coolant solution. The anti-freeze solution contains rust and corrosion inhibitors, therefore additional cooling system additives are not necessary.

### CAUTION

When adding or replacing coolant, be sure to use only an ethylene glycol anti-freeze with the proper mixture ratio. Examples are shown below:

Outside temperature down to		Anti-freeze	Soft water
°C	°F		
-35	-30	50%	50%

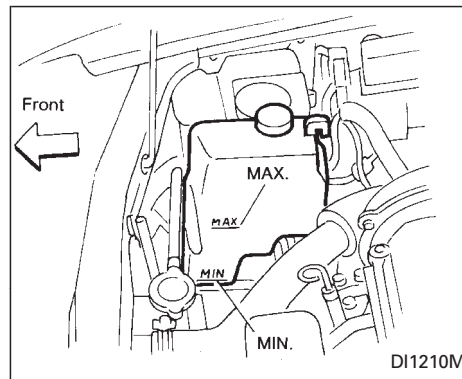
The use of other types of coolant solutions may damage your cooling system.

The radiator is equipped with a pressure cap. Use a genuine NISSAN cap or its equivalent when replacement is required.

Never remove the radiator cap when the engine is hot. Serious burns could be

caused by high pressure fluid escaping from the radiator.

Wait until the engine and radiator cool down. See precautions in "If your vehicle overheats" found in the "In Case Of Emergency" section.

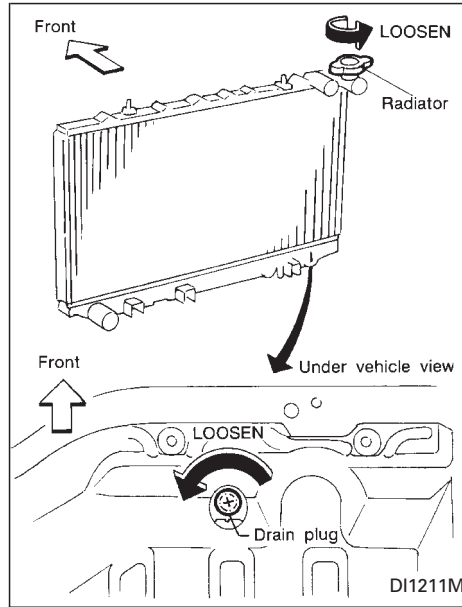


### CHECKING ENGINE COOLANT LEVEL

With coolant reservoir

Check the coolant level in the reservoir tank when the engine is cold. If the coolant level is below MIN, add coolant up to the MAX level. If the reservoir tank is empty, check the coolant level in the radiator **when the engine is cold**. If there is insufficient coolant in the radiator, fill the radiator with coolant up to the filler opening and also add it to the reservoir tank up to the MAX level.

If the cooling system frequently requires coolant, have the cooling system checked by your NISSAN dealer.



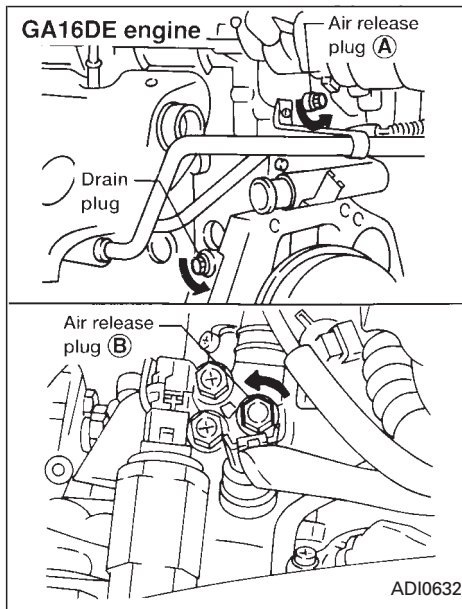
## CHANGING ENGINE COOLANT

- Major cooling system repairs should be performed by your NISSAN dealer. The service procedures can be found in the appropriate NISSAN Service Manual.

- Improper servicing can result in reduced heater performance and engine overheating.

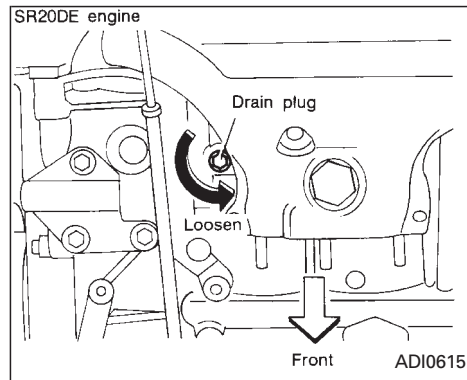
### **⚠ WARNING**

- To avoid the danger of being scalded, never change the coolant when the engine is hot.
- Never remove the radiator cap when the engine is hot. Serious burns could be caused by high pressure fluid escaping from the radiator.



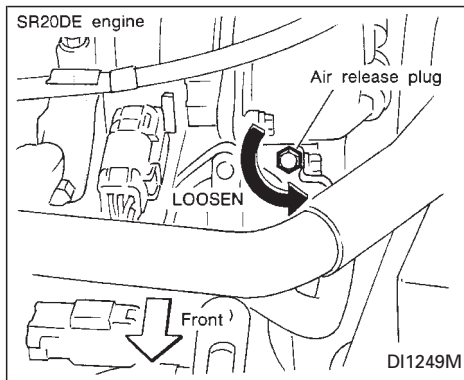
1. Move the heater or air conditioner temperature control dial to the maximum hot position.
2. Open the radiator drain plug. Open the drain plug on the engine block.

3. Open the radiator cap to drain the coolant.
4. Flush the cooling system by running fresh water through the radiator.

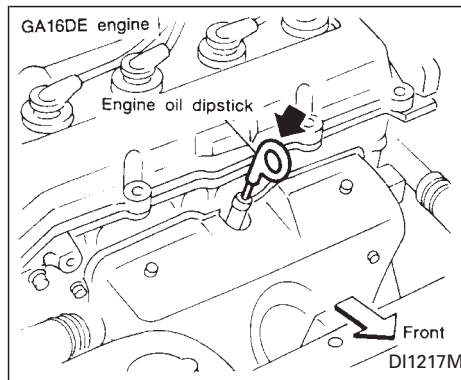


5. Close the drain plugs on the radiator and the engine block securely.
6. See the "Technical and consumer information" section for cooling system capacity. Fill the radiator slowly with the proper mixture of coolant and water. Fill the reservoir tank up to the MAX level.
7. Open and close the air release plug(s) to release air. Then fill the radiator again and install the radiator cap.
8. Start the engine, and warm it up until it reaches normal operating temperature. Then race the engine 2 or 3 times under no load. Watch the coolant temperature gauge for signs of overheating.

## ENGINE OIL

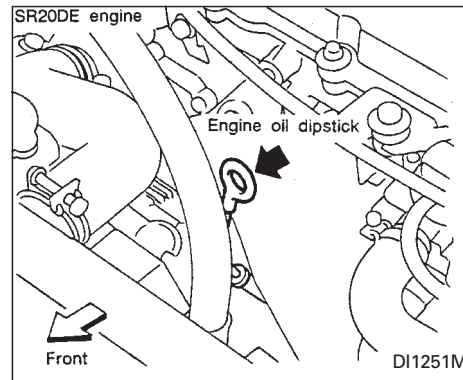


9. Stop the engine. After it completely cools down, refill the radiator up to the filler opening. Fill the reservoir tank up to the MAX level.
10. Open and close the air release plug(s) to release air. Then fill the radiator again and install the radiator cap.
11. Check the drain plugs on the radiator and the engine block for any sign of leakage. Also check the air release plug for any sign of leakage.

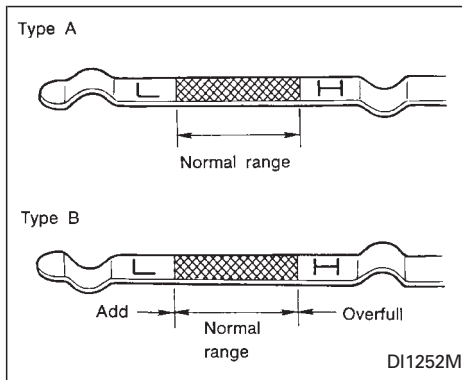


### CHECKING ENGINE OIL LEVEL

1. Park the vehicle on a level surface and apply the parking brake.
2. Run the engine until it reaches operating temperature.



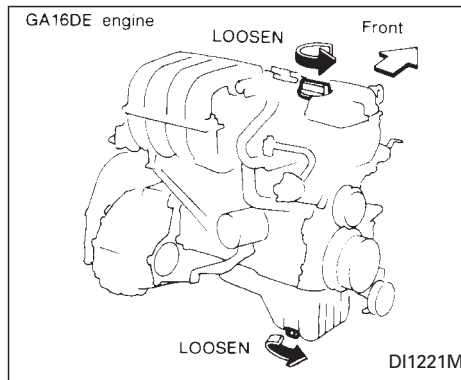
3. Turn off the engine. **Wait a few minutes for the oil to drain back into the oil pan.**
4. Remove the dipstick and wipe it clean. Reinsert it all the way.
5. Remove the dipstick again and check the oil level. It should be between the H and L marks. If the oil level is below the L mark, remove the oil filler cap and pour recommended oil through the opening. **Do not overfill.**



6. Recheck oil level with dipstick.

**⚠ CAUTION**

- **Oil level should be checked regularly. Operating with insufficient amount of oil can damage the engine, and such damage is not covered by warranty.**
- **It is normal to add some oil between oil maintenance intervals or during the break-in period, depending on the severity of operating conditions.**



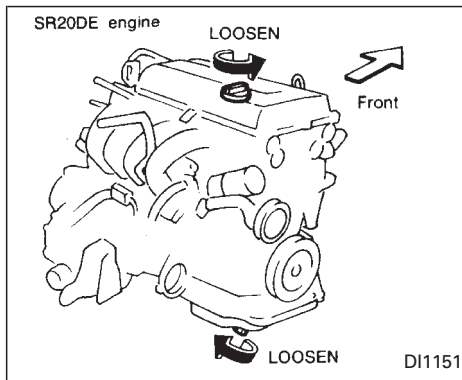
## CHANGING ENGINE OIL

1. Park the vehicle on a level surface and apply the parking brake.
2. Run the engine until it reaches operating temperature, and then turn it off.
3. Place a large drain pan under the drain plug.
4. Remove the oil filler cap.
5. Remove the drain plug with a wrench and completely drain the oil.

If the oil filter is to be changed, remove and replace it at this time. See “Changing engine oil filter” in this section.

**⚠ WARNING**

- **Prolonged and repeated contact with used engine oil may cause skin cancer.**
- **Try to avoid direct skin contact with used oil. If skin contact is made, wash thoroughly with soap or hand cleaner as soon as possible.**
- **Keep used engine oil out of reach of children.**



**⚠ WARNING**

**Be careful not to burn yourself, as the engine oil is hot.**

**⚠ CAUTION**

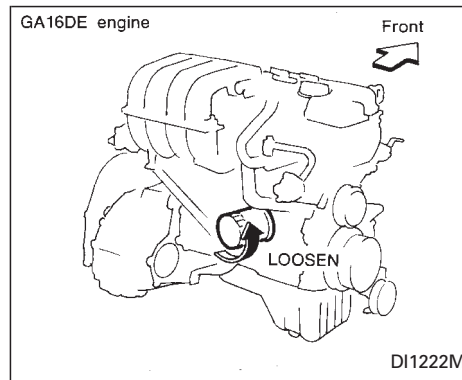
- **Waste oil must be disposed of properly. Check your local regulations.**
- **Avoid direct contact with used engine oil.**

6. Clean and re-install the drain plug and washer. Securely tighten the drain plug with a wrench.

**Drain plug tightening torque:  
22 to 29 ft-lb  
(29 to 39 N•m)**

Do not overtighten.

7. Refill engine with recommended oil and install the cap securely. See the “Technical and consumer information” section for refill capacity.
8. Start the engine. Check for leakage around the drain plug and oil filter. Correct as required.
9. Turn the engine off and wait several minutes. Check the oil level with the dipstick. Add engine oil if necessary.

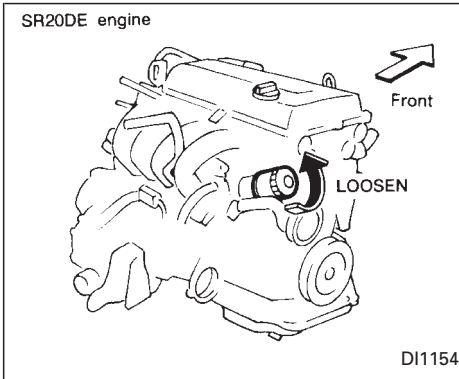


**CHANGING ENGINE OIL FILTER**

1. Park the vehicle on a level surface and apply the parking brake.
2. Turn the engine off.
3. Loosen the oil filter with an oil filter wrench. (Depending on the engine model, a special **cap type** wrench may be required. See your NISSAN dealer if in doubt.) Remove the oil filter by turning it by hand.

**⚠ WARNING**

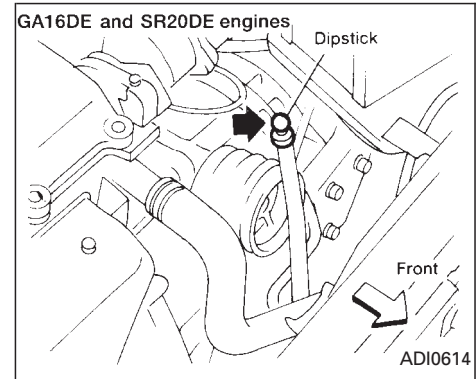
**Be careful not to burn yourself, as the engine oil may be hot.**



4. Wipe the engine oil filter mounting surface with a clean rag. Be sure to remove any old rubber gasket remaining on the mounting surface of the engine.
5. Coat the rubber gasket on the new filter with clean engine oil.
6. Screw in the oil filter until a slight resistance is felt, then tighten an additional 2/3 turn.
7. Start the engine and check for leakage around the oil filter. Correct as required.

8. Turn the engine off and wait several minutes. Check the oil level. Add engine oil if necessary.

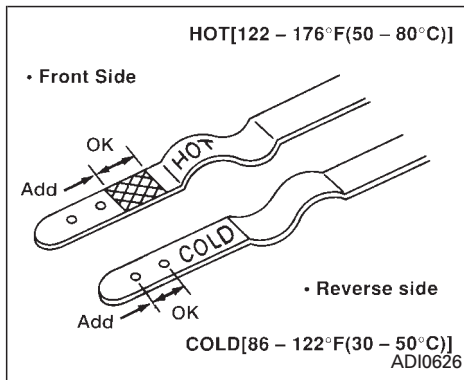
## AUTOMATIC TRANSMISSION FLUID



### **⚠ WARNING**

- When engine is running, keep hands and clothing away from any moving parts such as cooling fan and drive belts.
- Automatic transmission fluid is poisonous and should be stored carefully in marked containers out of the reach of children.





### Temperature conditions for checking

- The fluid level should be checked using the HOT range on the dipstick after the following conditions have been met:
  - The engine should be warmed up to operating temperature.
  - The vehicle should be driven at least 5 minutes.
  - The automatic transmission fluid should be warmed to between 122 and 176°F (50 and 80°C).

- The fluid can be checked at fluid temperatures of 86 to 122°F (30 to 50°C) using the COLD range on the dipstick after the engine is warmed up and before driving. However, the fluid should be re-checked using the HOT range.

1. Park the vehicle on a level surface and set the parking brake.
2. Start the engine and then move the shift lever through each gear range, ending in P.
3. Check the fluid level with the engine idling.
4. Remove the dipstick and wipe it clean with lint-free paper.
5. Reinsert the dipstick into the charging pipe as far as it will go.
6. Remove the dipstick and note the reading. If the level is at the low side of either range, add fluid to the charging pipe.

### **DO NOT OVERFILL.**

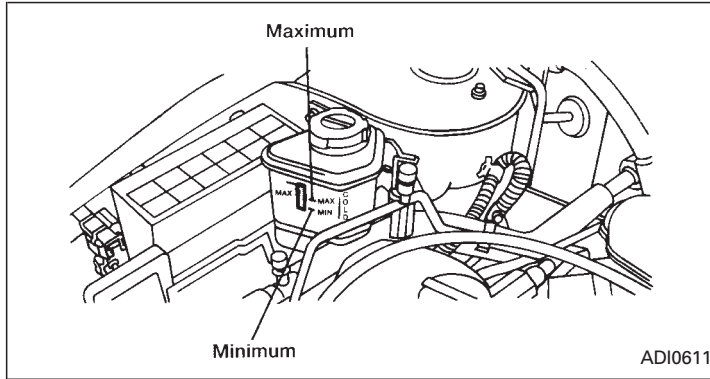
**Use ONLY Nissan Matic 'D' (Continental U.S. and Alaska) or Genuine Nissan Automatic Transmission Fluid (Canada). Dexron® III/Mercon® or equivalent may also be used. Outside**

**the continental United States and Alaska contact a Nissan dealership for more information regarding suitable fluids, including recommended brand(s) of Dexron® III/Mercon® or Dexron® IIE/Mercon® Automatic Transmission Fluid.**

### **NOTE:**

**If the vehicle has been driven for a long time at high speeds, or in city traffic in hot weather, or if it is being used to pull a trailer, the accurate fluid level cannot be read. You should wait until the fluid has cooled down (about 30 minutes) before checking fluid level.**

## POWER STEERING FLUID



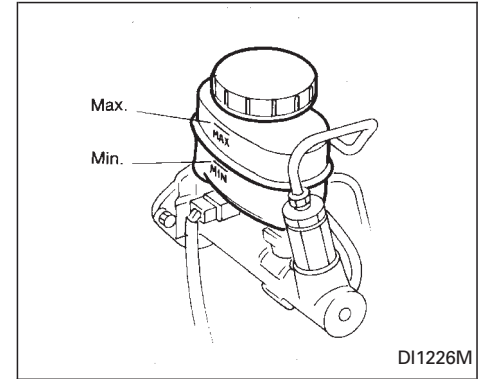
Check the power steering fluid level.

The fluid level should be checked using the HOT range on the side of the fluid reservoir at fluid temperatures of 122 to 176°F (50 to 80°C) or using the COLD range on the side of the fluid reservoir at fluid temperatures of 32 to 86°F (0 to 30°C).

### CAUTION

- Do not overfill.
- The recommended fluid is type DEXRON™II or equivalent.

## BRAKE FLUID



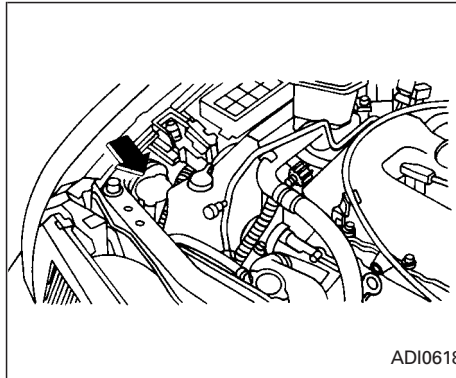
Check the brake fluid level in the reservoir. If the fluid is below the minimum (MIN) line or the brake warning light comes on, add **DOT 3** fluid up to the maximum (MAX) line. If fluid must be added frequently, the system should be thoroughly checked by your NISSAN dealer.

### CAUTION

- Use only new fluid from a sealed container. Old, inferior, or contaminated fluid may damage the brake system. The use of improper fluids can damage the brake system and affect the vehicle's stopping ability.

## WINDOW WASHER FLUID

- Do not spill the fluid on painted surfaces. This will damage the paint. If fluid is spilled, wash with water.



### For USA

Fill the window washer fluid reservoir periodically. Perform the refilling operation more often under driving conditions that require an increased amount of window washer fluid.

To fill the window washer fluid reservoir, lift the cap off the reservoir tank and pour the window washer fluid into the tank opening.

Add a washer solvent to the water for better cleaning. In the winter season, add a windshield washer anti-freeze. Follow the manufacturer's instructions for the mixture ratio.

### Canada Only

Add fluid when the low washer fluid warning light comes on. Add a washer solvent to the water for better cleaning. In the winter season, add a windshield washer anti-freeze. Follow the manufacturer's instructions for the mixture ratio.

### CAUTION

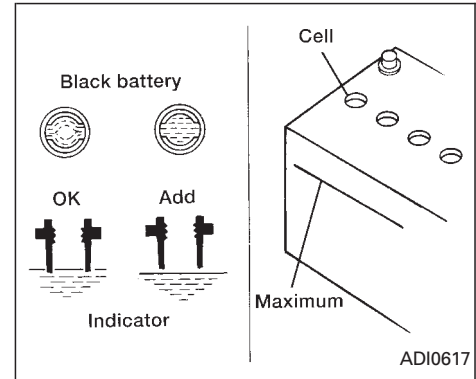
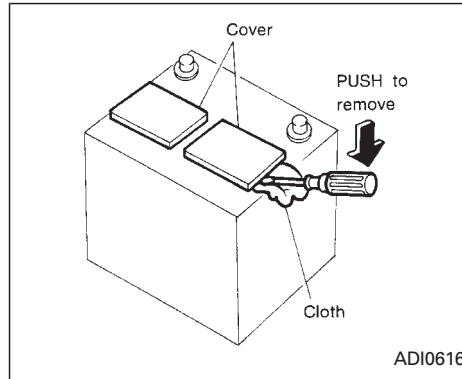
**Do not substitute engine anti-freeze coolant for windshield washer solution. This may result in damage to the paint.**

# BATTERY

- Keep the battery surface clean and dry. Any corrosion should be washed off with a solution of baking soda and water.
- Make certain the terminal connections are clean and securely tightened.
- If the vehicle is not to be used for 30 days or longer, disconnect the negative (-) battery terminal cable to prevent discharge.

## WARNING

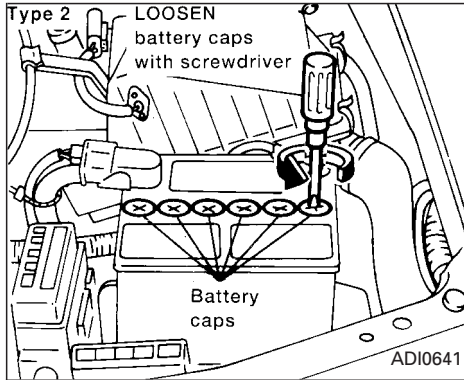
**Do not expose the battery to flames or electrical sparks. Hydrogen gas generated by battery action is explosive. Do not allow battery fluid to contact your skin, eyes, fabrics, or painted surfaces. After touching a battery or battery cap, do not touch or rub your eyes. Thoroughly wash your hands. If the acid contacts your eyes, skin or clothing, immediately flush with water for at least 15 minutes and seek medical attention.**



## Type 1

1. To remove the cap, gently pry between the battery cap and cover as illustrated.  
Use a cloth to protect the battery case.
2. Check the fluid level in each cell.

If it is necessary to add fluid, add only distilled water to bring the level up to the OK level indicator in each filler opening.  
**Do not overfill.**



## JUMP STARTING

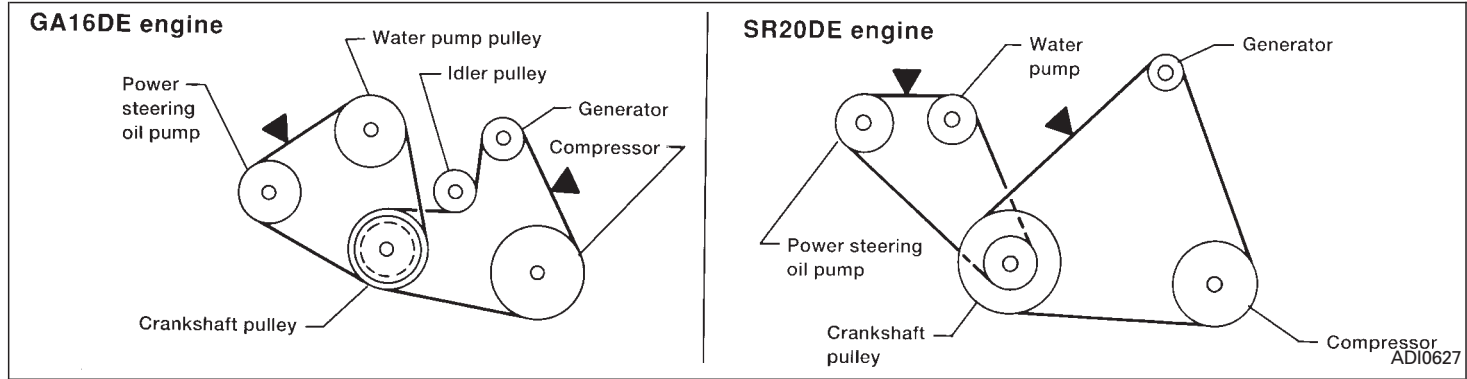
If jump starting is necessary, see the “In case of emergency” section. If the engine does not start by jump starting, the battery may have to be replaced. Contact your NISSAN dealer.

### Type 2

1. To remove the caps, use a screwdriver.
2. Check the fluid level in each cell.

If it is necessary to add fluid, add only distilled water to bring the level up to the OK indicator in each filler opening. **Do not overfill.**

# DRIVE BELTS

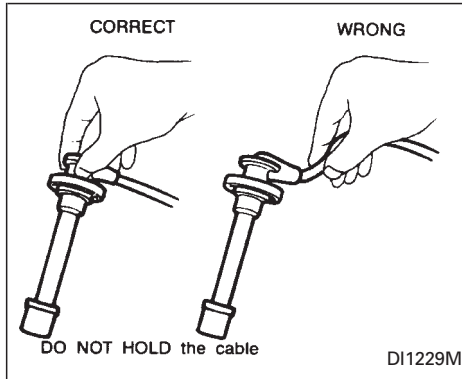


**⚠ WARNING**

**Be sure the ignition key is "OFF".**

1. Visually inspect each belt for signs of unusual wear, cuts, fraying or looseness. If the belt is in poor condition or loose, have it replaced or adjusted by your NISSAN dealer.
2. Have the belts checked regularly for condition and tension in accordance with the maintenance schedule in this manual.

# SPARK PLUG REPLACEMENT



## WARNING

Be sure the engine and ignition switch are off and that the parking brake is engaged securely.

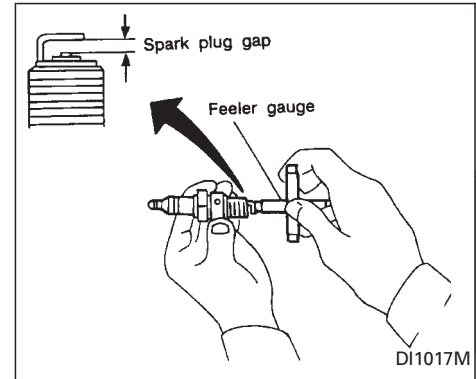
## CAUTION

Be sure to use the correct socket to remove the plugs. An incorrect socket can cause damage.

## GA16DE Engine

1. Remove brackets as necessary to give access to the high tension cables and spark plugs.
2. Disconnect the spark plug cables from the spark plugs.

When disconnecting, always hold the boots, not the cables. Mark all cables to identify their original locations.



3. Remove the spark plugs with a spark plug socket.

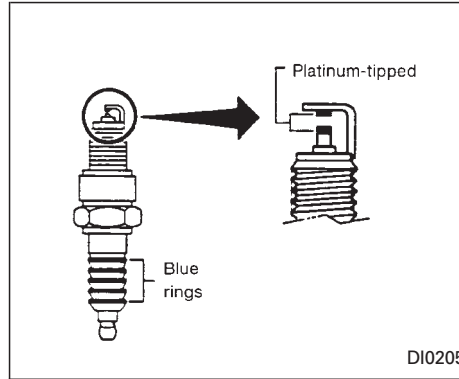
The spark plug socket has a rubber seal that holds the spark plug so it does not fall when it is pulled out. Make sure each spark plug is snugly fitted into the plug socket.

4. On conventional spark plugs, check the gap on each new spark plug with a feeler gauge. (The spark plug gap is shown in the “Technical and consumer information” section.) Adjust the gap as required.

5. Fit the new plugs, one at a time, into the spark plug socket and install them. Turn each plug in several full turns by hand, then tighten with a spark plug socket to the correct torque. Do not overtighten.

**Spark plug tightening torque:**  
**14 to 22 ft-lb (20 to 29 N·m)**

6. Holding the boot, re-connect each high tension cable to its proper spark plug by pushing it on until you feel a snap.
7. Re-install all brackets as necessary.



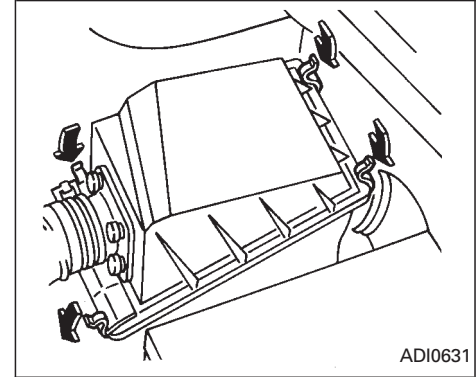
## SR20DE Engine

### Platinum-tipped spark plug

It is not necessary to replace the platinum-tipped spark plugs as frequently as the conventional type spark plugs since they last much longer. Follow the maintenance schedule, but do not reuse the spark plugs by cleaning or regapping. Blue rings on the ceramic portion indicate that the plugs are platinum-tipped.

- **Always replace spark plugs with recommended or equivalent ones.**

## AIR CLEANER HOUSING FILTER



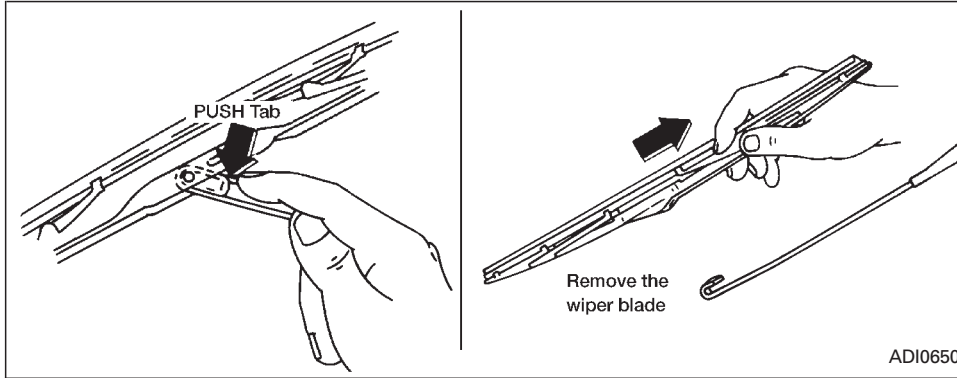
The air cleaner filter should not be cleaned and reused. Replace it according to the maintenance intervals shown in the "Maintenance schedule" section. When replacing the filter, wipe the inside of the air cleaner housing and the cover with a damp cloth.

### **⚠ WARNING**

**Operating the engine with the air cleaner off can cause you or others to be burned. The air cleaner not only cleans the air, it stops flame if the engine backfires. If it isn't there, and the engine backfires, you could be burned. Don't drive with it off, and be careful working on the engine with the air cleaner off.**



## WIPER BLADES



### 1) CLEANING

If your windshield is not clear after using the windshield washer or if the wiper blade chatters when running, wax or other material may be on the blade or windshield.

Clean the outside of the windshield with a washer solution or a mild detergent. Your windshield is clean if beads do not form when rinsing with clear water.

Clean the blade by wiping it with a cloth soaked in a washer solution or a mild detergent. Then rinse the blade with clear water. If your windshield is still not clear after cleaning the blades and using

the wiper, replace the blades.

### 2) REPLACEMENT

1. Pull the wiper arm.
2. Lift the tab, then remove the wiper blade.
3. Insert the new wiper blade to the wiper arm until a click sounds.

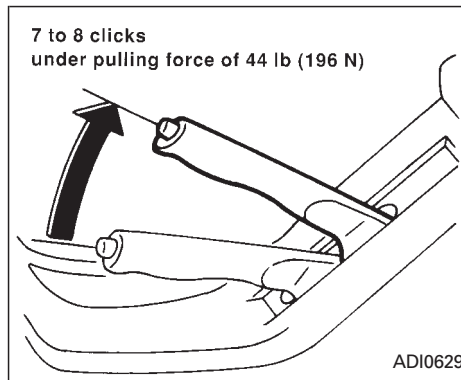
#### CAUTION

**After wiper blade replacement, return the wiper arm to its original position. Otherwise it may be damaged when the engine hood is opened.**

**Make sure the wiper blade contacts the glass, otherwise the arm may be damaged from wind pressure.**

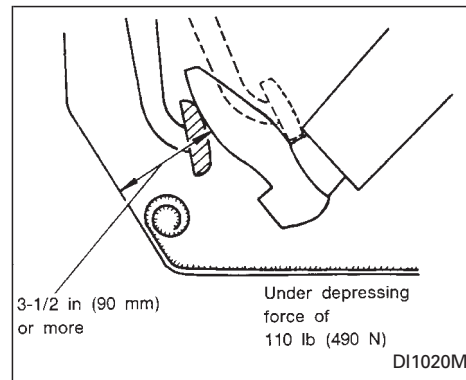
## PARKING BRAKE CHECK

If you wax the surface of the hood, be careful not to let wax get into the washer nozzle. This may cause clogging or improper windshield washer operation. If wax gets into the nozzle, remove it with a needle or small pin.



From the released position, pull the parking brake lever up slowly and firmly. If the number of clicks is out of the range listed above, see your NISSAN dealer.

## BRAKE PEDAL



With the engine running, check the distance between the upper surface of the pedal and the metal floor. If it is out of the range shown above, see your NISSAN dealer.

### Self-adjusting brakes

Your vehicle is equipped with self-adjusting brakes.

The front (and rear, if equipped) disc-type brakes self-adjust every time the brake pedal is applied. The rear drum-type brakes also self-adjust every time the brake pedal is applied.

If the brake pedal goes down farther than

## BRAKE BOOSTER

normal, it may be due to a lack of adjustment of the rear drum brakes. Apply the parking brake several times.

### WARNING

**See your NISSAN dealer and have it checked if the brake pedal height does not return to normal.**

### Brake pad wear indicators

The disc brake pads on your vehicle have audible wear indicators. When a brake pad requires replacement, it makes a high pitched scraping or screeching sound when the vehicle is in motion whether or not the brake pedal is depressed. Have the brakes checked as soon as possible if the wear indicator sound is heard.

Under some driving or climate conditions, occasional brake squeak, squeal or other noise may be heard. Occasional brake noise during light to moderate stops is normal and does not affect the function or performance of the brake system.

The rear drum brakes (if so equipped) do not have audible wear indicators. Should you ever hear an unusually loud noise from

the rear drum brakes, have them inspected as soon as possible by your NISSAN dealer.

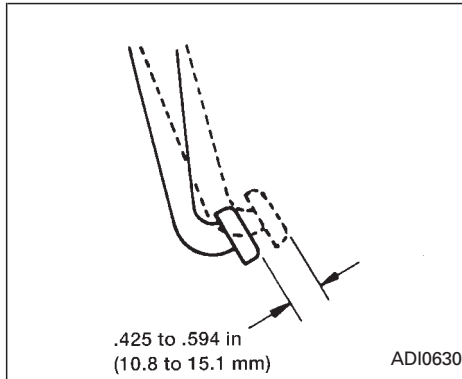
**Proper brake inspection intervals should be followed.** For more information regarding brake inspections, see the appropriate maintenance schedule information in the “Maintenance Schedule” section of this manual.

Check the brake booster function as follows:

1. With the engine off, press and release the brake pedal several times. When brake pedal movement (distance of travel) remains the same from one pedal application to the next, continue on to the next step.
2. While depressing the brake pedal, start the engine. The pedal height should drop a little.
3. With the brake pedal depressed, stop the engine. Keeping the pedal depressed for about 30 seconds, the pedal height should not change.
4. Run the engine for one minute without depressing the brake pedal, then turn it off. Depress the brake pedal several times. The pedal travel distance will decrease gradually with each depression as the vacuum is released from the booster.

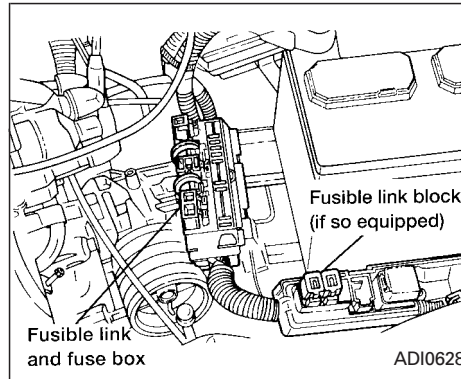
If the brakes do not operate properly, see your NISSAN dealer.

## CLUTCH PEDAL



Press the pedal by hand and be sure the free travel is within the limits shown above. If free travel is out of the range shown above, see your NISSAN dealer.

## FUSES



### Engine compartment (Headlight fuses)

If a headlight does not come on, check for an open fuse.

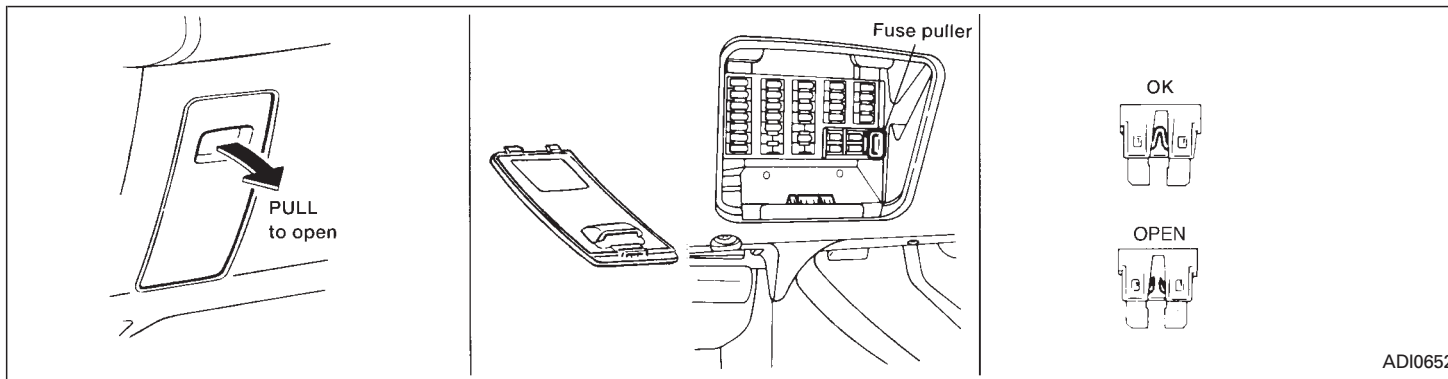
1. Be sure the ignition key and the headlight switch are OFF.
2. Open the engine hood.
3. Remove the fuse box cover.
4. Remove the fuse with the fuse puller provided (inside the passenger compartment fuse panel cover).

5. If the fuse is open, replace it with a new fuse.

**Never use a fuse of higher amperage rating than that specified on the fuse box cover.**

6. If a new fuse opens again, have the electrical system checked and repaired by your NISSAN dealer.

If the electrical equipment does not operate and fuses are in good condition, check the fusible links. If any of these fusible links are melted, replace only with genuine NISSAN parts.



ADI0652

## Passenger compartment

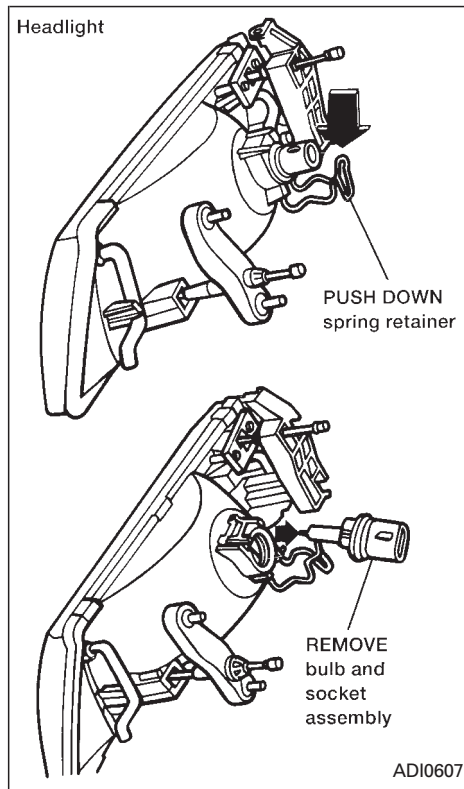
If the electrical equipment does not operate, check for an open fuse.

1. Be sure the ignition key and the headlight switch are OFF.
2. Open the fuse box lid.
3. Remove the fuse with the fuse puller provided.
4. If the fuse is open, replace it with a new fuse.

**Never use a fuse of higher amperage rating than that specified on the fuse box cover.**

5. If a new fuse opens again, have the electrical system checked and repaired by your NISSAN dealer.

## LIGHT BULBS



## HEADLIGHTS

The headlight is a semi-sealed beam type which uses a replaceable headlight (halogen) bulb. A bulb can be replaced from inside the engine compartment without removing the headlight assembly.

### **⚠ CAUTION**

**High pressure halogen gas is sealed inside the halogen bulb. The bulb may break if the glass envelope is scratched or the bulb is dropped.**

**Hold the plastic base when handling the bulb. Never touch the glass envelope.**

### Removing the headlight bulb

1. Open the hood.
2. Disconnect the negative battery cable.
3. If removing the right-hand (passenger side) headlight bulb, it is necessary to first reposition the engine coolant reservoir.
4. Disconnect the electrical connector from the rear end of the bulb.

5. Push down spring retainer.
6. Pull out the headlight bulb and socket as an assembly. Do not shake or rotate the bulb when removing it. Do not handle the glass envelope.

### Replacing the headlight bulb

1. Insert the bulb and socket assembly into the headlight.
2. Install the spring retainer.
3. Push the electrical connector into the bulb plastic base until it snaps and stops.
4. If installing the right-hand (passenger side) headlight bulb, be sure to reposition the engine coolant reservoir.
5. Connect the battery cable.
6. Close the hood.

### **⚠ CAUTION**

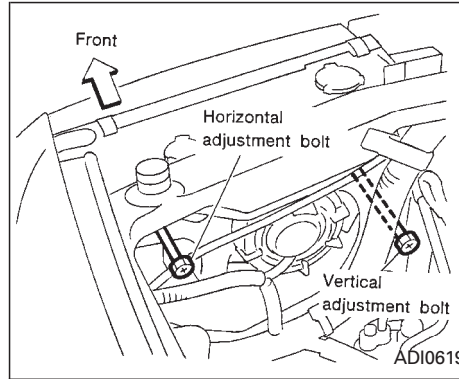
#### **DO NOT TOUCH THE BULB.**

- **Use the same number and wattage as originally installed:**

**Type A:  
Wattage 65/45  
Bulb no. 9004**

## HEADLIGHT AIMING ADJUSTMENT

- Aiming is not necessary after replacing the bulb. When aiming adjustment is necessary, contact your NISSAN dealer.
- Do not leave the bulb out of the headlight reflector for a long period of time as dust, moisture, and smoke may enter the headlight body and affect the performance of the headlight.



Before adjusting the headlights, make sure all of the tires are properly inflated, the vehicle is on level ground and there is no excess weight in the vehicle that would affect the level of the vehicle.

First, open the hood.

The vertical adjustment bolt is behind the headlight. Turn the adjustment bolt clockwise to raise the headlight beam. Turn the adjustment bolt counterclockwise to lower the headlight beam.

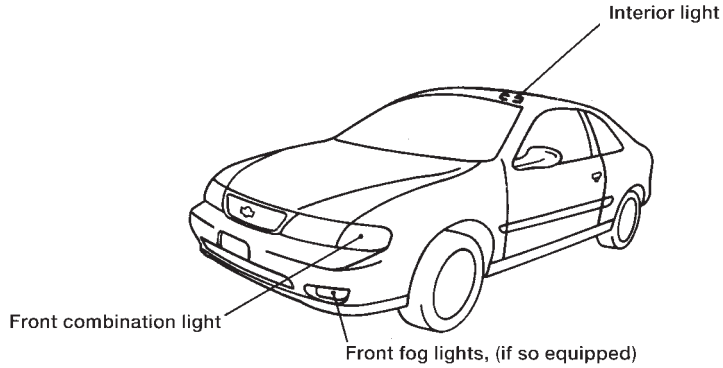
The horizontal adjustment bolt is also behind the headlight.

To adjust the horizontal level of the headlight, turn the adjustment bolt clockwise to turn the headlight beam left, and turn it counterclockwise to turn the headlight beam right.

## BULB REPLACEMENT

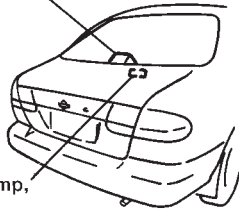
Item	Wattage (W)	Bulb No.
Front combination light	27/8	1157NA
Rear combination light		
Turn signal	27	1156
Stop/Tail	27/8	1157
Back-up (Sentra)	13	912
Back-up (200SX)		1156
License plate light	5	168
High-mounted stop light	13	912
Trunk lid-mounted stop light	13	912
Front fog lamp	35	H3 (Special)
Interior light	8	
Trunk light	3.4	158

**Light location**



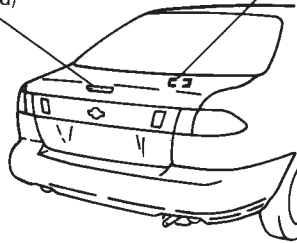
Parcel shelf-mounted stop light, (if so equipped)

Trunk lamp, (if so equipped)



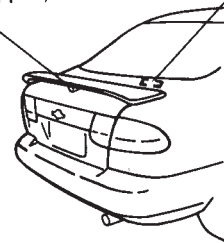
Trunk lid-mounted stop light, (if so equipped)

Trunk lamp, (if so equipped)



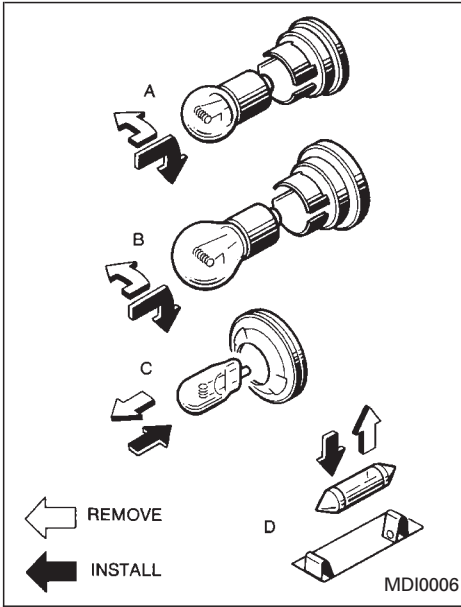
LED stop light in rear spoiler, (if so equipped)

Trunk lamp, (if so equipped)



ADI0623

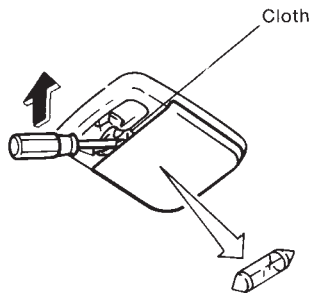




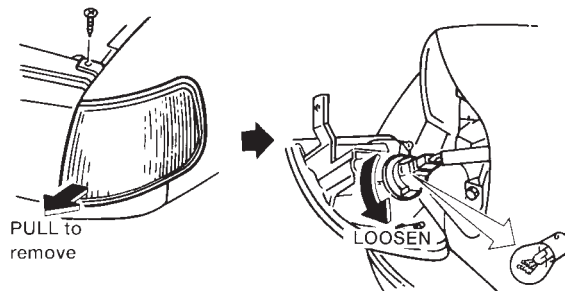
## Replacement procedures

All other lights are either type A, B, C or D.  
When replacing a bulb, first remove the lens  
and/or cover.

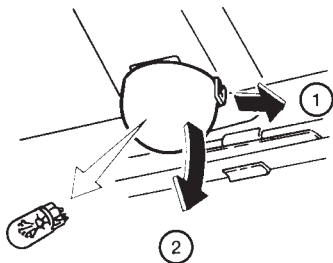
### Interior light



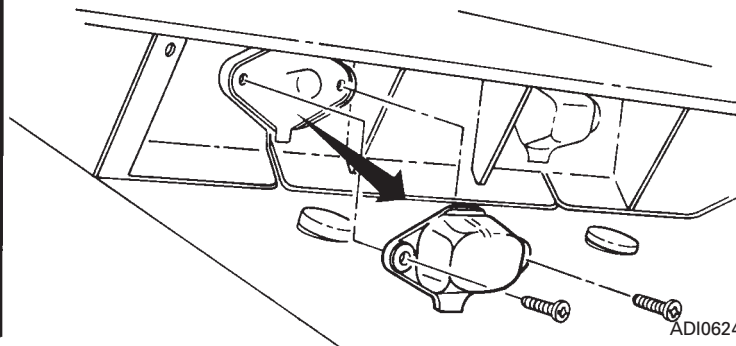
### Front turn signal light



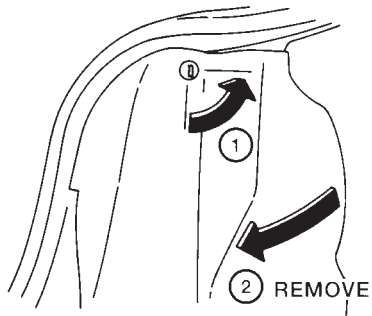
### Trunk light (if so equipped)



### License plate light

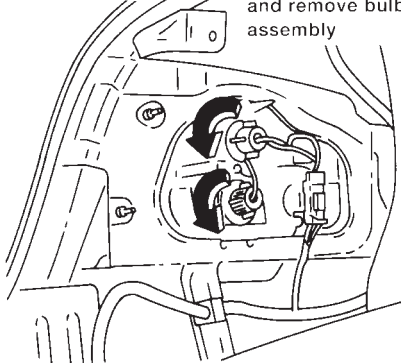


Rear combination light



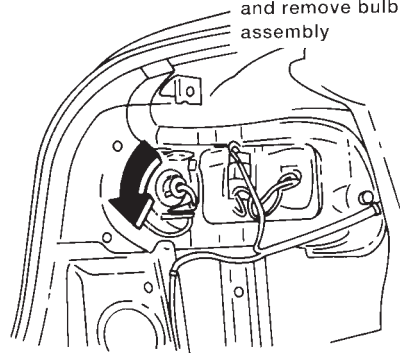
(if so equipped)

TURN socket  
and remove bulb  
assembly

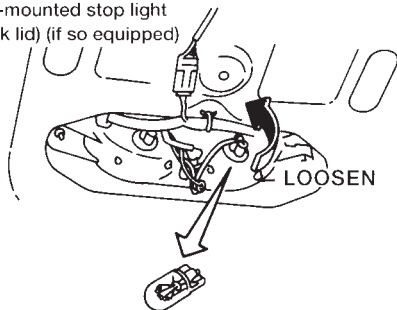


(if so equipped)

TURN socket  
and remove bulb  
assembly



High-mounted stop light  
(Trunk lid) (if so equipped)



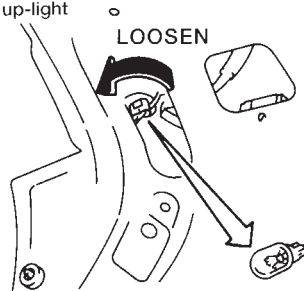
High-mounted  
stop light  
(Rear window)  
(if so equipped)

PUSH toward  
right and PULL  
to remove

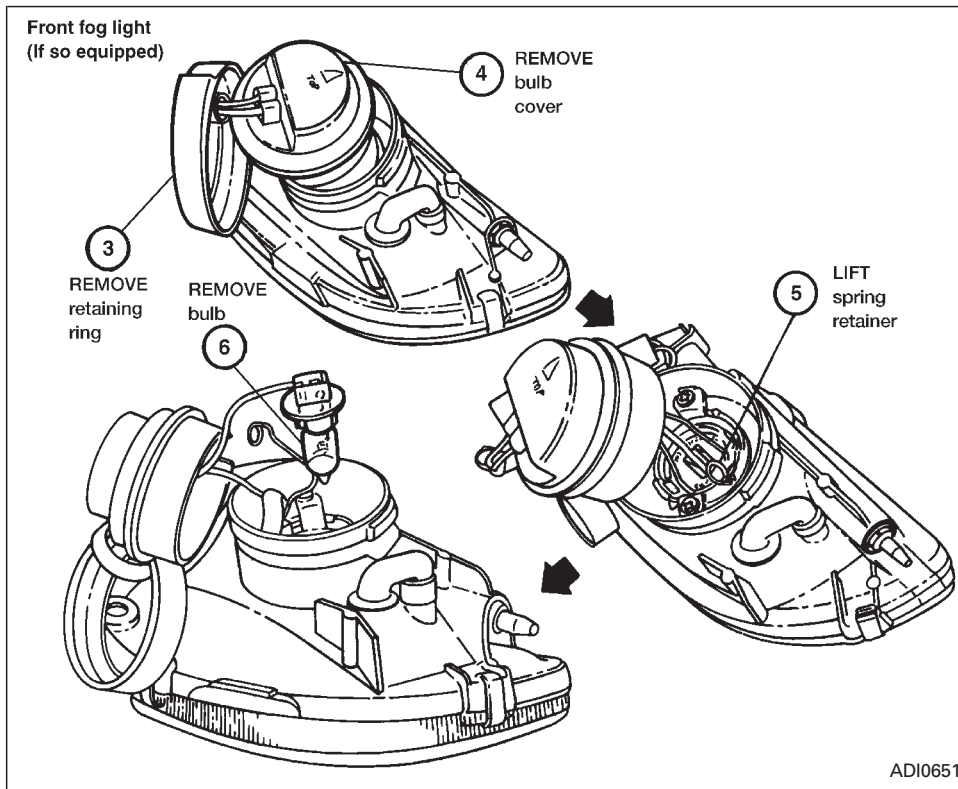


Back up-light

LOOSEN



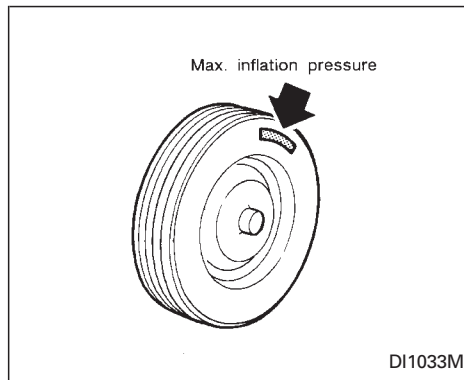
ADI0625



## FRONT FOG LIGHT BULB REPLACEMENT (If so equipped)

1. Use a Phillip's head screwdriver to remove the trim plate and the anchoring screws on the fog lamp assembly.
2. Move the fog lamp assembly towards the center of the vehicle and pull out to expose the rear of the assembly.
3. Remove the retaining ring from the fog lamp assembly.
4. Remove the bulb cover.
5. Lift the spring retainer.
6. Remove the fog lamp bulb.

## WHEELS AND TIRES



If you have a flat tire, see the “In case of emergency” section.

### Maximum inflation pressure

Do not exceed the maximum inflation pressures shown on the side wall of the tire.

### Tire inflation pressure

Periodically check the tire pressure (including spare). Incorrect tire pressure may adversely affect tire life and vehicle handling. Tire pressure should be checked when tires are COLD. Tires are considered COLD after the vehicle has been parked for three or more

hours, or driven less than 1 mile (1.6 km). COLD tire pressures are shown on the tire placard affixed to the driver side center pillar.

### ⚠ CAUTION

The vehicle weight capacity is indicated on the tire placard. Do not load your vehicle beyond this capacity. Overloading your vehicle may result in reduced tire life, unsafe operating conditions due to premature tire failure, or unfavorable handling characteristics and could also lead to a serious accident. Loading beyond the specified capacity may also result in failure of other vehicle components.

Before taking a long trip, or whenever you have loaded your vehicle heavily, use a tire pressure gauge to ensure that the tire pressure is at the specified level.

Do not drive your vehicle over 85 MPH (140 km/h) unless it is equipped with high speed capability tires. Driving faster than 85 MPH (140 km/h) may result in tire failure, loss of control and possible injury.

## Types of tires

### ⚠ CAUTION

When changing or replacing tires, be sure all four tires are of the same type (i.e., Summer, All Season or Snow) and construction. Your NISSAN dealer may be able to help you with information about tire type, size, speed rating and availability. Replacement tires may have a lower speed rating than the factory equipped tires, and may not match the potential maximum vehicle speed. Never exceed the maximum speed rating of the tire.

### All season tires

NISSAN specifies All Season tires on some models to provide good performance all year round, including snowy and icy road conditions. All Season Tires are identified by “ALL SEASON” and/or “M&S” on the tire sidewall. Snow tires have better snow traction than All Season tires and may be more appropriate in some areas.

## Summer tires

NISSAN specifies summer tires on some models to provide superior performance on dry roads. Summer tire performance in snow and ice is substantially reduced. Summer tires do not have the tire traction rating “M&S” on the tire sidewall.

If you plan to operate your vehicle in snowy or icy conditions, NISSAN recommends the use of “SNOW” or “ALL SEASON” tires on all four wheels.

## Snow tires

If snow tires are needed, it is necessary to select tires equivalent in size and load rating to the original equipment tires. If you do not, it can adversely affect the safety and handling of your vehicle.

Generally, snow tires have lower speed ratings than factory equipped tires and may not match the potential maximum vehicle speed. Never exceed the maximum speed rating of the tire.

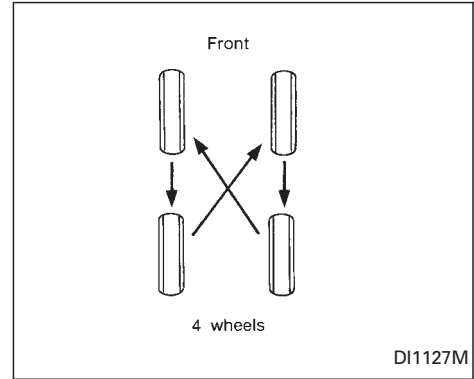
For additional traction on icy roads, studded tires may be used. However, some provinces and states prohibit their use. Check local, state and provincial laws before in-

stalling studded tires. Skid and traction capabilities of studded snow tires on wet or dry surfaces may be poorer than that of non-studded snow tires.

## Tire chains

Use of tire chains may be prohibited according to location. Check the local laws before installing tire chains. When installing tire chains, make sure they are of proper size for the tires on your vehicle and are installed according to the chain manufacturer’s suggestions. Use only SAE class “S” chains. Other types may damage your vehicle. Use chain tensioners when recommended by the tire chain manufacturer to ensure a tight fit. Loose end links of the tire chain must be secured or removed to prevent the possibility of whipping action damage to the fenders or underbody. If possible, avoid fully loading your vehicle when using tire chains. In addition, drive at a reduced speed. Otherwise, your vehicle may be damaged and/or vehicle handling and performance may be adversely affected.

Never install tire chains on a T-type spare tire. Do not use chains on dry roads.



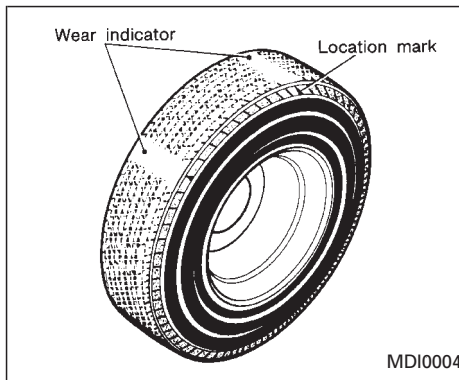
## Tire rotation

NISSAN recommends rotating the tires every 7,500 miles (12,000 km).

See “Flat tire” in the “In case of emergency” section for tire replacing procedures.

**⚠ CAUTION**

- After rotating the tires, adjust the tire pressure.
- Retighten the wheel nuts after the wheels have been run for the first 600 miles (1,000 km) (also in cases of a flat tire, etc.).
- Do not include the T-type spare tire or any other small size spare tire in the tire rotation.



Tire wear and damage

**⚠ CAUTION**

Tires should be periodically inspected for wear, cracking, bulging, or objects caught in the tread. If excessive wear, cracks, bulging, or deep cuts are found, the tire should be replaced.

The original tires have a built-in tread wear indicator. When the wear indicator is visible, the tire should be replaced.

Improper service for a T-type spare tire may result in serious personal injury. If

it is necessary to repair the T-type spare tire, contact your NISSAN dealer.

Changing tires and wheels

When replacing a tire, use the same size, speed rating and load carrying capacity as originally equipped. Recommended types and sizes are shown in “Wheels and tires” in the “Technical information” section. The use of tires other than those recommended, or the mixed use of tires of different brands, construction (bias, bias-belted or radial), or tread patterns can adversely affect the ride, braking, handling, ground clearance, body-to-tire clearance, snow chain clearance, speedometer calibration, headlight aim and bumper height. **Some of these effects may lead to accidents and could result in serious personal injury.**

If the wheels are changed for any reason, always replace with wheels which have the same offset dimension. Wheels of a different offset could cause early tire wear, poor vehicle handling characteristics and/or interference with the brake discs/drums. Such interference can lead to decreased braking efficiency and/or early brake pad/shoe wear.

 **CAUTION**

**Do not install a deformed wheel or tire even if it has been repaired. Such wheels or tires could have structural damage and could fail without warning.**

### Wheel balance

Unbalanced wheels may affect vehicle handling and tire life. Even with regular use, wheels can get out of balance. Therefore, they should be balanced as required.

Wheel balance service should be performed with the wheels off the vehicle. Spin balancing the front wheels on the vehicle could lead to transmission damage.

### Care of wheels

- Wash the wheels when washing the vehicle to maintain their appearance.
- Clean the inner side of the wheels when the wheel is changed or the underside of the vehicle is washed.
- Do not use abrasive cleaners when washing the wheels.
- Inspect wheel rims regularly for dents or corrosion. Such damage may cause loss of pressure or poor seal at the tire bead.

- NISSAN recommends waxing the road wheels to protect against road salt in areas where it is used during winter.

### Spare tire (T-type spare tire)

Observe the following precautions if the T-type spare tire must be used, otherwise your vehicle could be damaged or involved in an accident.

 **CAUTION**

- **The T-type spare tire should be used only for emergency. It should be replaced by the standard tire at the first opportunity.**
- **Drive carefully while the T-type spare tire is installed. Avoid sharp turns and abrupt braking while driving.**
- **Periodically check tire inflation pressure, and always keep it at 60 psi (420 kPa, 4.2 bar).**
- **Do not drive your vehicle at speeds faster than 50 MPH (80 km/h).**
- **Do not use tire chains on a T-type spare tire. Tire chains will not fit properly on the T-type spare tire and may cause damage to the vehicle.**

- **When driving on roads covered with snow or ice, the T-type spare tire should be used on the rear wheel and the original tire used on the front wheels (drive wheels). Use tire chains only on the front two original tires.**

- **Tire tread of the T-type spare tire will wear at a faster rate than the original tire. Replace the T-type spare tire as soon as the tread wear indicators appear.**
- **Because the T-type spare tire is smaller than the original tire, ground clearance is reduced. To avoid damage to the vehicle do not drive over obstacles. Also do not drive the vehicle through an automatic car wash since the smaller tire may get caught in the track.**
- **Do not use the T-type spare tire on other vehicles.**
- **Do not use more than one T-type spare tire at the same time.**
- **Do not tow a trailer while the T-type spare tire is installed.**



**MEMO**

# 8 Maintenance schedule

General maintenance .....	8-2
Periodic maintenance schedules .....	8-5



## GENERAL MAINTENANCE

Your new NISSAN has been designed to have minimum maintenance requirements with longer service intervals to save you both time and money. However, some day-to-day and regular maintenance is essential to maintain your NISSAN's good mechanical condition, as well as its emission and engine performance.

It is the owner's responsibility to make sure the specified periodic maintenance, as well as general maintenance, is performed.

As the vehicle owner, you are the only one who can ensure that your vehicle receives the proper maintenance care. You are a vital link in the maintenance chain.

### General maintenance

General maintenance includes those items which should be checked during normal day-to-day operation of the vehicle. They are essential if your vehicle is to continue to operate properly. It is your responsibility to perform these procedures regularly as prescribed.

These checks or inspections can be done by yourself, a qualified technician or, if you prefer, your NISSAN dealer.

### Periodic maintenance

The maintenance items listed in this part are required to be serviced at regular intervals.

However, under severe driving conditions, additional or more frequent maintenance is required.

### Where to go for service

If maintenance service is required or your vehicle appears to malfunction, have the systems checked and tuned by an authorized NISSAN dealer.

NISSAN technicians are well-trained specialists and are kept up to date with the latest service information through technical bulletins, service tips, and in-dealership training programs. They are completely qualified to work on NISSAN's vehicles **before** they work on your vehicle, rather than after they have worked on it.

You can be confident that your NISSAN dealer's service department performs the best job to meet the maintenance requirements on your vehicle — in a reliable and economical way.

During the normal day-to-day operation of the vehicle, general maintenance should be performed regularly as prescribed in this section. If you detect any unusual sounds, vibrations or smells, be sure to check for the cause or have your NISSAN dealer do it promptly. In addition, you should notify your NISSAN dealer if you think repairs are required.

When performing any checks or maintenance work, closely observe the precautions in the "Do-it-yourself operations" section.

### OUTSIDE THE VEHICLE

The maintenance items listed here should be performed from time to time, unless otherwise specified.

**Additional information on the following items with "\*" is found in the "Do-it-yourself operations" section.**

**Tires\*** Check the pressure with a gauge periodically when at a service station, including the spare, and adjust to the specified pressure if necessary. Check carefully for damage, cuts or excessive wear.

**Wheel nuts\*** When checking the tires, make sure no nuts are missing, and check for any loose nuts. Tighten if necessary.

**Tire rotation\*** Tires should be rotated every 7,500 miles (12,000 km).

**Wheel alignment and balance** If the vehicle should pull to either side while driving on a straight and level road, or if you detect uneven or abnormal tire wear, there may be a need for wheel alignment.

If the steering wheel or seat vibrates at normal highway speeds, wheel balancing may be needed.

**Windshield wiper blades\*** Check for cracks or wear if they do not wipe properly.

**Doors and engine hood** Check that all doors and the engine hood operate properly. Also ensure that all latches lock securely. Lubricate hinges, latches, rollers and links if necessary. Make sure the secondary latch keeps the hood from opening when the primary latch is released.

When driving in areas using road salt or other corrosive materials, check lubrication frequently.

**Lights\*** Make sure the headlights, stop lights, tail lights, turn signal lights, and other lights are all operating properly and installed securely. Also check headlight aim.

## INSIDE THE VEHICLE

The maintenance items listed here should be checked on a regular basis, such as when performing periodic maintenance, cleaning the vehicle, etc.

**Additional information on the following items with “\*” is found in the “Do-it-yourself operations” section.**

**Warning lights and chimes** Make sure all warning lights and chimes are operating properly.

**Windshield wiper and washer\*** Check that the wipers and washer operate properly and that the wipers do not streak.

**Windshield defroster** Check that the air comes out of the defroster outlets properly and in sufficient quantity when operating the heater or air conditioner.

**Steering wheel** Check for changes in the steering conditions, such as excessive free-play, hard steering or strange noises.

**Seats** Check seat position controls such as seat adjusters, seatback recliner, etc. to ensure they operate smoothly and all latches lock securely in every position. Check that the head restraints move up and

down smoothly and the locks (if so equipped) hold securely in all latched positions.

**Seat belts** Check that all parts of the seat belt system (e.g. buckles, anchors, adjusters and retractors) operate properly and smoothly, and are installed securely. Check the belt webbing for cuts, fraying, wear or damage.

**Accelerator pedal** Check the pedal for smooth operation and make sure the pedal does not catch or require uneven effort. Keep the floor mats away from the pedal.

**Clutch pedal\*** Make sure the pedal operates smoothly and check that it has the proper free travel.

**Brakes** Check that the brakes do not pull the vehicle to one side when applied.

**Brake pedal\*** Check the pedal for smooth operation and make sure it has the proper distance under it when depressed fully. Check the brake booster function. Be certain to keep floor mats away from the pedal.

**Parking brake\*** Check that the lever has the proper travel and confirm that your vehicle is held securely on a fairly steep hill

with only the parking brake applied.

**Automatic transmission “Park” mechanism** On a fairly steep hill check that your vehicle is held securely with the selector lever in the P position without applying any brakes.

## UNDER THE HOOD AND VEHICLE

The maintenance items listed here should be checked periodically (e.g. each time you check the engine oil or refuel).

**Additional information on the following items with “\*” is found in the “Do-it-yourself operations” section.**

**Windshield washer fluid\*** Check for adequate fluid in the tank.

**Engine coolant level\*** Check the coolant level when the engine is cold.

**Radiator and hoses** Check the front of the radiator and clean off any dirt, insects, leaves, etc., that may have accumulated. Make sure the hoses have no cracks, deformation, rot or loose connections.

**Brake fluid level\*** Make sure the brake and clutch fluid level is between the “MAX” and

“MIN” lines on the reservoir.

**Battery\*** Check the fluid level in each cell.

**Engine drive belts\*** Make sure no belt is frayed, worn, cracked or oily.

**Engine oil level\*** Check the level after parking the vehicle on a level spot and turning off the engine.

**Power steering fluid level\* and lines** Check the level when the fluid is cold and the engine is turned off. Check the lines for proper attachment, leaks, cracks, etc.

**Automatic transmission fluid level\*** Check the level after putting the selector lever in P with the engine idling.

**Exhaust system** Make sure there are no loose supports, cracks or holes. If the sound of the exhaust seems unusual or there is a smell of exhaust fumes, immediately locate the trouble and correct it. (See the carbon monoxide warning in the “Starting and driving” section.)

**Underbody** The underbody is frequently exposed to corrosive substances such as those used on icy roads or to control dust. It is very important to remove these substances, otherwise rust forms on the floor

pan, frame, fuel lines and around the exhaust system. At the end of winter, the underbody should be thoroughly flushed with plain water, being careful to clean those areas where mud and dirt may accumulate. See the “Appearance and interior care” section for additional information.

**Fluid leaks** Check under the vehicle for fuel, oil, water or other fluid leaks after the vehicle has been parked for a while. Water dripping from the air conditioner after use is normal. If you should notice any leaks or if gasoline fumes are evident, check for the cause and have it corrected immediately.

## PERIODIC MAINTENANCE SCHEDULES

To ensure smooth, trouble-free, safe and economical driving, NISSAN provides two different maintenance schedules that may be used, depending upon the conditions in which you usually drive. These schedules contain both distance and time intervals, up to 60,000 miles (96,000 km)/48 months. For most people, the odometer reading indicates when service is needed. However, if you drive very little, your vehicle should be serviced at the regular time intervals shown in the schedule. **After 60,000 miles (96,000 km) or 48 months, continue periodic maintenance at the same mileage/time intervals.**

### SCHEDULE 1

Follow Periodic Maintenance Schedule 1 if your driving habits frequently include one or more of the following driving conditions:

- **Repeated short trips of less than 5 miles (8 km).**
- **Repeated short trips of less than 10 miles (16 km) with outside temperatures remaining below freezing.**
- **Operating in hot weather in stop-and-go “rush hour” traffic.**

- **Extensive idling and/or low speed driving for long distances, such as police, taxi or door-to-door delivery use.**
- **Driving in dusty conditions.**
- **Driving on rough, muddy, or salt spread roads.**
- **Towing a trailer, using a camper or a car-top carrier.**

### SCHEDULE 2

Follow Periodic Maintenance Schedule 2 if none of the driving conditions shown in Schedule 1 apply to your driving habits.

# SCHEDULE 1

Abbreviations: R = Replace I = Inspect. Correct or replace if necessary. [ ]: At the mileage intervals only

MAINTENANCE OPERATION		MAINTENANCE INTERVAL																
Perform at number of miles, kilometers or months, whichever comes first.	Miles × 1,000	3.75	7.5	11.25	15	18.75	22.5	26.25	30	33.75	37.5	41.25	45	48.75	52.5	56.25	60	
	(km × 1,000)	(6)	(12)	(18)	(24)	(30)	(36)	(42)	(48)	(54)	(60)	(66)	(72)	(78)	(84)	(90)	(96)	
	Months	3	6	9	12	15	18	21	24	27	30	33	36	39	42	45	48	
<b>Emission control system maintenance</b>																		
Drive belts	See NOTE (1).																	I*
Air cleaner filter	See NOTE (2).									[R]								[R]
Idle rpm (GA16DE engine)										I*								I*
Vapor lines										I*								I*
Fuel lines										I*								I*
Fuel filter	See NOTE (3)*.																	
Engine coolant	See NOTE (4)*.																	R*
Engine oil		R	R	R	R	R	R	R	R	R	R	R	R	R	R	R	R	R
Engine oil filter (Use Nissan PREMIUM type or equivalent)		R	R	R	R	R	R	R	R	R	R	R	R	R	R	R	R	R
Spark plugs (GA16DE engine)										[R]								[R]
(SR20DE engine) (PLATINUM-TIPPED type)	See NOTE (5)*.																	[R]
Intake & exhaust valve clearance (GA16DE engine)	See NOTE (6)*.																	

- NOTE:** (1) After 60,000 miles (96,000 km) or 48 months, inspect every 15,000 miles (24,000 km) or 12 months.  
 (2) If operating mainly in dusty conditions, more frequent maintenance may be required.  
 (3) If vehicle is operated under extremely adverse weather conditions or in areas where ambient temperatures are either extremely low or extremely high, the filters might become clogged. In such an event, replace them immediately.  
 (4) After 60,000 miles (96,000 km) or 48 months, replace every 30,000 miles (48,000 km) or 24 months.  
 (5) Original equipment platinum-tipped plugs should be replaced at 60,000 miles (96,000 km). Conventional spark plugs can be used but should be replaced at 30,000 miles (48,000 km) intervals. (See "Technical and consumer information" section for details.)  
 (6) If valve noise increases, inspect valve clearance.  
 \* Maintenance items and intervals with "\*" are recommended by NISSAN for reliable vehicle operation. The owner need not perform such maintenance in order to maintain the emission warranty or manufacturer recall liability. Other maintenance items and intervals are required.

Abbreviations: I = Inspect. Correct or replace if necessary.

<b>MAINTENANCE OPERATION</b>		<b>MAINTENANCE INTERVAL</b>							
Perform at number of miles, kilometers or months, whichever comes first.	Miles × 1,000	7.5	15	22.5	30	37.5	45	52.5	60
	(km × 1,000)	(12)	(24)	(36)	(48)	(60)	(72)	(84)	(96)
	Months	6	12	18	24	30	36	42	48
<b>Chassis and body maintenance</b>									
Brake lines & cables			I		I		I		I
Brake pads, discs, drums & linings			I	I	I	I	I	I	I
Manual & automatic transmission oil		See NOTE (1).	I		I		I		I
Steering gear & linkage, axle & suspension parts			I	I	I	I	I	I	I
Steering linkage ball joints & front suspension ball joints			I	I	I	I	I	I	I
Exhaust system			I	I	I	I	I	I	I
Front drive shaft boots			I	I	I	I	I	I	I
Air bag system (If so equipped)		See NOTE (2)*.							

**NOTE: (1) If towing a trailer, using a camper or a car-top carrier, or driving on rough or muddy roads, change (not just inspect) oil at every 30,000 miles (48,000 km) or 24 months.**

**\*(2) Inspect the supplemental air bag system (If so equipped) 10 years after the date of manufacture as noted on the F.M.V.S.S. certification label located on the driver side door pillar.**



## SCHEDULE 2

Abbreviations: R = Replace I = Inspect. Correct or replace if necessary.

[ ]: At the mileage intervals only

MAINTENANCE OPERATION	MAINTENANCE INTERVAL									
	Miles × 1,000 (km × 1,000)	7.5 (12)	15 (24)	22.5 (36)	30 (48)	37.5 (60)	45 (72)	52.5 (84)	60 (96)	
	Months	6	12	18	24	30	36	42	48	
<b>Emission control system maintenance</b>										
Drive belts	See NOTE (1).									I*
Air cleaner filter						[R]				[R]
Idle rpm (GA16DE engine)						I*				I*
Vapor lines						I*				I*
Fuel lines						I*				I*
Fuel filter	See NOTE (2)*.									
Engine coolant	See NOTE (3)*.									R*
Engine oil		R	R	R	R	R	R	R	R	R
Engine oil filter (Use Nissan PREMIUM type or equivalent)		R	R	R	R	R	R	R	R	R
Spark plugs (GA16DE engine)						[R]				[R]
(SR20DE engine) (PLATINUM-TIPPED type)	See NOTE (4)*.									[R]
Intake & exhaust valve clearance (GA16DE engine)	See NOTE (5)*.									

- NOTE:**
- (1) After 60,000 miles (96,000 km) or 48 months, inspect every 15,000 miles (24,000 km) or 12 months.
  - (2) If vehicle is operated under extremely adverse weather conditions or in areas where outside temperatures are either extremely low or extremely high, the filters might become clogged. In such an event, replace them immediately.
  - (3) After 60,000 miles (96,000 km) or 48 months, replace every 30,000 miles (48,000 km) or 24 months.
  - (4) Original equipment platinum-tipped plugs should be replaced at 60,000 miles (96,000 km). Conventional spark plugs can be used but should be replaced at 30,000 miles (48,000 km) intervals. (See "Technical and consumer information" section for details.)
  - (5) If valve noise increases, inspect valve clearance.
- \* Maintenance items and intervals with "\*" are recommended by NISSAN for reliable vehicle operation. The owner need not perform such maintenance in order to maintain the emission warranty or manufacturer recall liability. Other maintenance items and intervals are required.

Abbreviations: I = Inspect. Correct or replace if necessary.

<b>MAINTENANCE OPERATION</b>		<b>MAINTENANCE INTERVAL</b>								
Perform at number of miles, kilometers or months, whichever comes first.	Miles × 1,000 (km × 1,000) Months	7.5 (12) 6	15 (24) 12	22.5 (36) 18	30 (48) 24	37.5 (60) 30	45 (72) 36	52.5 (84) 42	60 (96) 48	
<b>Chassis and body maintenance</b>										
Brake lines & cables			I			I		I		I
Brake pads, discs, drums & linings			I			I		I		I
Manual & automatic transmission oil			I			I		I		I
Steering gear linkage, axle & suspension parts						I				I
Exhaust system						I				I
Front drive shaft boots			I			I		I		I
Air bag system (If so equipped)		See NOTE (1)*.								

**NOTE: \*(1) Inspect the supplemental air bag system (If so equipped) 10 years after the date of manufacture noted on the F.M.V.S.S. certification label located on the driver side front pillar.**

## EXPLANATION OF MAINTENANCE ITEMS

**Additional information on the following items with “\*” is found in the “Do-it-yourself operations” section.**

### Emission control system maintenance

**Drive belts\*** Check drive belts for wear, fraying or cracking and also for proper tension. Replace the drive belts if found damaged.

**Air cleaner filter** Under normal driving conditions, the air cleaner filter should be replaced in accordance with the maintenance schedule. However, driving the vehicle in dusty areas may cause more rapid clogging of the element. Consequently, the element may have to be replaced more frequently.

**Idle rpm** Inspection and adjustment should be made with a tachometer to ensure accuracy.

**Vapor lines** Check vapor lines and connections for failure or looseness. If leaks are found, replace them.

**Fuel lines** Check the fuel hoses, piping

and connections for leaks, looseness or deterioration. Replace any parts if they are damaged.

**Fuel filter** If the vehicle is operated under extremely adverse weather conditions or in areas where ambient temperatures are either extremely low or extremely high, the filter might become clogged. In such an event, replace the filter immediately.

**Engine coolant\*** Drain and flush the cooling system.

**Engine oil & oil filter\*** Under normal driving conditions, the engine oil and oil filter should be replaced in accordance with the maintenance schedule. However, under severe driving conditions, they may have to be replaced more frequently.

**Spark plugs\*** Replace with new plugs having the correct heat range.

**Intake & exhaust valve clearance** Check and adjust the valve clearance.

### Chassis and body maintenance

**Brake lines & cables** Check the brake lines and hoses (including brake booster vacuum hoses, connections & check valve) and parking brake cables for proper attachment,

leaks, cracks, chafing, abrasion, deterioration, etc.

### **Brake pads, discs, drums & linings**

Check these and the other neighboring brake components for wear, deterioration and leaks. Under severe driving conditions, they may have to be inspected more frequently.

### **Manual & automatic transmission gear oil\***

Check the oil level and visually inspect for signs of leakage.

Under severe driving conditions, the oil should be replaced at the specified interval.

### **Steering gear & linkage, axle & suspension parts, and drive shaft boots**

Check for damage, looseness and leakage of oil or grease. Under severe driving conditions, more frequent inspection should be performed.

### **Steering linkage ball joints & front suspension ball joints**

Check the ball joints for damage, looseness and grease leakage.

### **Exhaust system**

Visually check the exhaust pipes, muffler, and hangers for proper attachment, leaks, cracks, chafing, abrasion, deterioration, etc. Under severe

driving conditions, inspection should be performed more frequently.

**Air bag system (If so equipped)** Check the air bag system components for proper attachment, damage, deformities, cracks, rust, etc. Work around and on the air bag system should be done by an authorized NISSAN dealer.

**MEMO**

# 9 Technical and consumer information

Capacities and recommended	
fuel/lubricants .....	9-2
Engine .....	9-9
Wheel/tire size.....	9-10
Dimensions and weights .....	9-10
Registering your vehicle	
in another country .....	9-11
Vehicle identification.....	9-11
Installing license plate .....	9-14
Trailer towing.....	9-15
Uniform tire quality grading.....	9-18
Emission control system warranty .....	9-19
Reporting safety defects (USA) .....	9-19



# CAPACITIES AND RECOMMENDED FUEL/ LUBRICANTS

The following are approximate capacities. The actual refill capacities may be a little different. When refilling, follow the procedure instructed in the “Do-it-yourself operations” section to determine the proper refill capacity.

	Capacity (Approximate)			Recommended specifications
	US measure	Imp measure	Liter	
Fuel	13-1/4 gal	11 gal	50	Unleaded gasoline with an octane rating of at least 87 AKI (RON 91)*1
Engine oil (Refill)				
With oil filter	GA16DE	3-3/8 qt	2-7/8 qt	3.2
	SR20DE	3-5/8 qt	3 qt	3.4
Without oil filter	GA16DE	3 qt	2-1/2 qt	2.8
	SR20DE	3-3/8 qt	2-7/8 qt	3.2
Cooling system				
With reservoir	GA16DE	5-1/2 qt, 6 qt*6	4-5/8 qt, 5 qt*6	5.2, 5.7*6
	SR20DE	6-1/2 qt, 6-1/2 qt*6	5-1/2 qt, 5-1/2 qt*6	6.2, 6.2*6
Reservoir		3/4 qt	5/8 qt	0.7
Manual transmission gear oil		4	3-3/8	3.8
Automatic transmission fluid				Nissan Matic 'D' (Continental U.S. and Alaska) or Genuine Nissan Automatic Transmission Fluid (Canada).*4
Power steering fluid		Refill to the proper oil level according to the instructions in the “Do-it-yourself operations” section.		Type DEXRON™II or equivalent
Brake fluid				Genuine Nissan Brake Fluid*5 or equivalent DOT 3 (US FMVSS No. 116)
Multi-purpose grease		—	—	—
Air conditioning system refrigerant		—	—	—
Air conditioning system lubricants				Nissan A/C System Lubricant Type R or equivalent*7

\*1: For further details, see “Fuel recommendation”.

\*2: For further details, see “Engine oil and oil filter recommendation”.

\*3: For further details, see “Recommended SAE viscosity number”.

\*4: Dexron® III/Mercon® or equivalent may also be used. Outside the Continental United States and Alaska contact a Nissan dealership for more information regarding suitable fluids, including recommended brand(s) of Dexron® III/Mercon® or Dexron® IIE/Mercon® Automatic Transmission Fluid.

\*5: Available in mainland USA through your NISSAN dealer.

\*6: Automatic transmission models.

\*7: For further details, see “Air conditioner specification label”.

## FUEL RECOMMENDATION

**All models are designed to operate on unleaded gasoline with an octane rating of at least 87 AKI (Anti-Knock Index) (Research octane number 91).**

### CAUTION

**Using a fuel other than that specified could adversely affect the emission control devices and systems, and could also affect the warranty coverage.**

**Under no circumstances should a leaded gasoline be used, since this will damage the three way catalyst.**

## Reformulated Gasoline

Some fuel suppliers are now producing reformulated gasolines. These gasolines are specially designed to reduce vehicle emissions. NISSAN supports efforts towards cleaner air and suggests that you use reformulated gasoline when available.

## Gasoline containing oxygenates

Some fuel suppliers sell gasoline containing oxygenates such as ethanol, MTBE and methanol with or without advertising their

presence. Nissan does not recommend the use of fuels of which the oxygenate content and the fuel compatibility for your NISSAN cannot be readily determined. If in doubt, ask your service station manager.

If you use oxygenate-blend gasoline, please take the following precautions as the usage of such fuels may cause vehicle performance problems and/or fuel system damage.

- **The fuel should be unleaded and have an octane rating no lower than that recommended for unleaded gasoline.**
- **If an oxygenate-blend, excepting a methanol blend, is used, it should contain no more than 10% oxygenate. (MTBE may, however, be added up to 15%).**
- **If a methanol blend is used, it should contain no more than 5% methanol (methyl alcohol, wood alcohol). It should also contain a suitable amount of appropriate cosolvents and corrosion inhibitors. If not properly formulated with appropriate cosolvents and corrosion inhibitors, such methanol blends may cause fuel system damage and/or vehicle performance prob-**

**lems. At this time, sufficient data is not available to ensure that all methanol blends are suitable for use in Nissan vehicles.**

If any driveability problems such as engine stalling and hard hot starting are experienced after using oxygenate-blend fuels, immediately change to a non-oxygenate fuel or a fuel with a low blend of MTBE.

**Take care not to spill gasoline during refueling. Gasoline containing oxygenates can cause paint damage.**

## After Market Fuel Additives

NISSAN does not recommend the use of any fuel additives (i.e., fuel injector cleaner, octane booster, intake valve deposit removers, etc.) which are sold commercially. Many of these additives intended for gum, varnish or deposit removal may contain active solvents or similar ingredients that can be harmful to the fuel system and engine.

## Octane rating tips

In most parts of North America, you should use unleaded gasoline with an octane rating of at least 87 AKI (Anti-Knock Index). However, you may use unleaded gasoline with

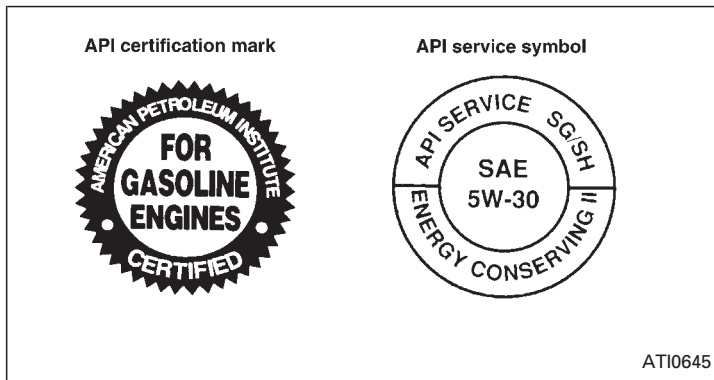


an octane rating as low as 85 AKI (Anti-Knock Index) in high altitude areas (over 4,000 ft [1,219 m]) such as: Colorado, Montana, New Mexico, Utah, Wyoming, north-eastern Nevada, southern Idaho, western South Dakota, western Nebraska, and that part of Texas which is directly south of New Mexico.

**Using unleaded gasoline with an octane rating lower than stated above can cause persistent, heavy “spark knock.” (“Spark knock” is a metallic rapping noise.) If severe, this can lead to engine damage. If you detect a persistent heavy spark knock even when using gasoline of the stated octane rating, or if you hear steady spark knock while holding a steady speed on level roads, have your dealer correct the condition. Failure to correct the condition is misuse of the vehicle, for which NISSAN is not responsible.**

Incorrect ignition timing results in knocking, after-run and/or overheating. This in turn may cause excessive fuel consumption or damage to the engine. If any of the above symptoms are encountered, have your vehicle checked at a NISSAN dealer or other competent service facility.

**However, now and then you may notice light spark knock for a short time while accelerating or driving up hills. This is no cause for concern, because you get the greatest fuel benefit when there is light spark knock for a short time under heavy engine load.**



## ENGINE OIL AND OIL FILTER RECOMMENDATION

### Selecting the correct oil

It is essential to choose the correct quality and viscosity oil to ensure satisfactory engine life and performance. Nissan recommends the use of a low friction oil (energy conserving oil) in order to improve fuel economy and conserve energy. Oils which do not have the specified quality label should not be used as they could cause engine damage.

Only those engine oils with the American

Petroleum Institute (API) CERTIFICATION MARK on the front of the container should be used. This type of oil supersedes the existing API SG or SH and Energy Conserving II categories.

If you cannot find engine oil with the CERTIFICATION MARK, an API SG or SH and Energy Conserving II oil with API Service Symbol may be used. An oil with a single designation SG or SH, or in combination with other categories (for example, SG/CC or SG/CD) may also be used if one with the API CERTIFICATION MARK cannot be found.

Mineral based or synthetic type oils may be used in your NISSAN vehicle. These oils must however, meet the API quality and SAE viscosity ratings specified for your vehicle. Do not mix mineral based and synthetic type oils in the engine at the same time.

### Oil additives

NISSAN does not recommend the use of oil additives. The use of an oil additive is not necessary when the proper oil type is used and maintenance intervals are followed.

Oil which may contain foreign matter or has been previously used should not be used.

### Oil viscosity

The engine oil viscosity or thickness changes with temperature. Because of this, it is important to select the engine oil viscosity based on the temperatures at which the vehicle will be operated before the next oil change. The chart "Recommended SAE viscosity number" shows the recommended oil viscosities for the expected ambient temperatures. Choosing an oil viscosity other than that recommended could cause serious engine damage.

## Selecting the correct oil filter

Your new vehicle is equipped with a high-quality genuine NISSAN oil filter. When replacing, use the genuine oil filter or its equivalent for the reason described in “Change intervals”.

## Change intervals

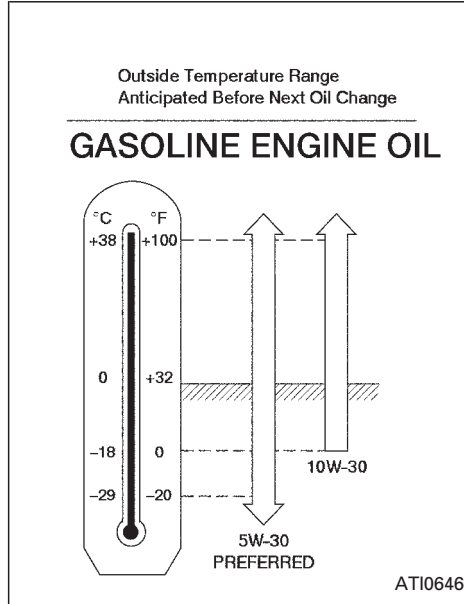
The oil and oil filter change intervals for your engine are based on the use of the specified quality oils and filters. Oil and filter other than the specified quality, or oil and filter change intervals longer than recommended could reduce engine life. Damage to engines caused by improper maintenance or use of incorrect oil and filter quality and/or viscosity is not covered by the new NISSAN vehicle warranties.

Your engine was filled with a high quality engine oil when it was built. You do not have to change the oil before the first recommended change interval. Oil and filter change intervals depend upon how you use your vehicle. Operation under the following conditions may require more frequent oil and filter changes:

- repeated short distance driving at cold outside temperatures,

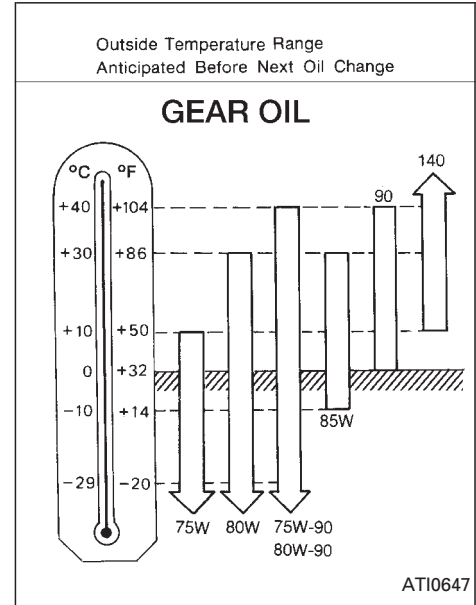
- driving in dusty conditions,
- extensive idling,
- towing a trailer.

## RECOMMENDED SAE VISCOSITY NUMBER



- SAE 5W-30 viscosity oil is preferred for all temperatures. SAE 10W-30 vis-

cosity oil may be used if the ambient temperature is above 0°F (-18°C).



- 80W-90 is preferable for outside temperatures below 104°F (40°C).

## AIR CONDITIONING SYSTEM REFRIGERANT AND LUBRICANT RECOMMENDATIONS

**The air conditioning in your NISSAN vehicle must be charged with the refrigerant HFC-134a (R-134a) and the lubricant, Nissan A/C system lubricant Type R or the exact equivalents.**



### **CAUTION**

**Use of any other refrigerant or lubricant will cause severe damage and you will need to replace your vehicle's entire air conditioning system.**

The new refrigerant HFC-134a (R-134a) in your NISSAN vehicle does not harm the earth's ozone layer. Although this refrigerant does not affect the earth's atmosphere, certain governmental regulations require the recovery and recycling of any refrigerant during automotive air conditioning system service. Your NISSAN dealer has the trained technicians and equipment needed to recover and recycle your air conditioning system refrigerant.

Contact your NISSAN dealer when servicing your air conditioning system.

# ENGINE

Model		GA16DE		SR20DE
Type		Gasoline, 4-cycle		Gasoline, 4-cycle
Cylinder arrangement		4-cylinder in-line		4-cylinder in-line
Bore × Stroke	in (mm)	2.992 × 3.465 (76.0 × 88.0)		3.386 × 3.386 (86.0 × 86.0)
Displacement	cu in (cm <sup>3</sup> )	97.39 (1,596)		121.92 (1,998)
Firing order		1-3-4-2		1-3-4-2
Idle speed	rpm			
Ignition timing (B.T.D.C.)	degree/rpm	See the "Emission Control label" on the underside of the hood.		
CO percentage at idle speed [No air]	%			
			Platinum-tipped type (Standard for SR20DE)	Conventional type
Spark plug	Hot	BKR4E-11		BKR5E
	Standard	BKR5E-11	PFR5B-11	BKR6E
	Cold	BKR6E-11	PFR6B-11, PFR7B-11	BKR7E
Camshaft operation		Timing chain		Timing chain
Spark plug gap	in (mm)	0.039 to 0.043 (1.0 to 1.1)		— 0.031 to 0.035 (0.8 to 0.9)
Generator belt size		0.843 × 32.28 (21.4 × 820)		0.559 × 32.68 (14.2 × 830)
Width × Length	in (mm)	0.843 × 44.09 (21.4 × 1,120)*2		0.843 × 40.75 (21.4 × 1,035)*2

\*1: With power steering

\*2: With air conditioner

**The spark ignition system of this vehicle meets all requirements of the Canadian Interference-Causing Equipment Regulations.**

## WHEEL/TIRE SIZE

	200SX	SENTRA	Wheel Dimension
Road wheel			
13" steel w/center cap	—	E*	13 × 5J
13" steel w/full cover	S	XE, GXE	13 × 5J
14" aluminum alloy	SE	GLE	14 × 5.5JJ
15" aluminum alloy	SE-R	—	15 × 6JJ
Offset in (mm)			1.57 (40)
Conventional tire size			
P155/80R13		E*	13 × 5J
P175/70R13	S	XE, GXE	13 × 5J
P175/65R14	SE	GLE	14 × 5.5JJ
P195/55R15	SE-R		15 × 6JJ
Spare tire size			
T115/70D14	S, SE	E*, XE, GXE, GLE	14 × 4T
T135/70D15	SE-R		15 × 4T

\*: base model in Canada

## DIMENSIONS AND WEIGHTS

		200SX	SENTRA
Overall length	in (mm)	169.8 (4,313)	170.1 (4,321)
Overall width	in (mm)	66.6 (1,692)	66.6 (1,692)
Overall height	in (mm)	54.2 (1,377)	54.5 (1,384)
Front tread			
13-inch	in (mm)	58.3 (1,481)	58.3 (1,481)
14/15-inch	in (mm)	57.9 (1,471)	57.9 (1,471)
Rear tread			
13-inch	in (mm)	56.9 (1,445)	56.9 (1,445)
14/15-inch	in (mm)	56.5 (1,435)	56.5 (1,435)
Wheelbase	in (mm)	99.8 (2,535)	99.8 (2,535)
Gross vehicle weight rating	lb (kg)		
Gross axle weight rating			See the "F.M.V.S.S. certification label" on the driver's side door pillar.
Front	lb (kg)		
Rear	lb (kg)		

## REGISTERING YOUR VEHICLE IN ANOTHER COUNTRY

**When planning to travel in another country**, you should first find out if the fuel available is suitable for your vehicle's engine.

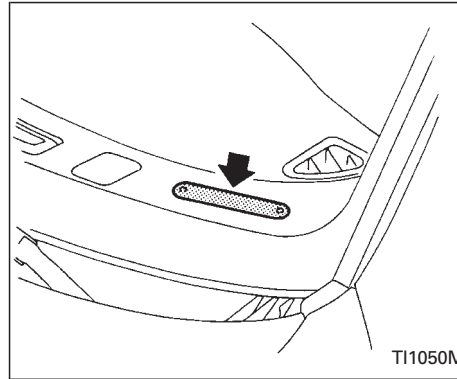
Using fuel with too low an octane/cetane rating may cause engine damage. All gasoline vehicles must be operated with unleaded engine gasoline. Therefore, avoid taking your vehicle to areas where appropriate fuel is not available.

**When transferring the registration of your vehicle to another country, state, province or district**, it may be necessary to modify the vehicle to meet local laws and regulations.

The laws and regulations for motor vehicle emission control and safety standards vary according to the country, state, province or district; therefore, vehicle specifications may differ.

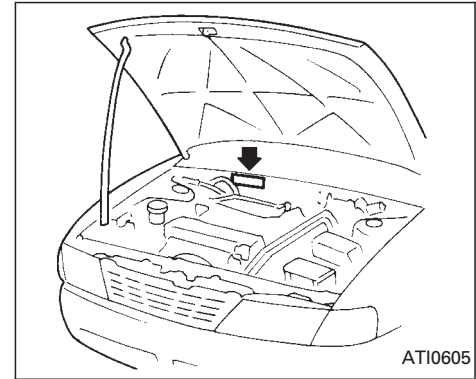
**When any vehicle is to be taken into another country, state, province or district and registered, its modifications, transportation, and registration are the responsibility of the user. NISSAN is not responsible for any inconvenience that may result.**

## VEHICLE IDENTIFICATION



### VEHICLE IDENTIFICATION NUMBER PLATE

The vehicle identification number plate is attached to the top of the instrument panel on the driver's side. This number is the identification for your vehicle and is used in the vehicle registration.

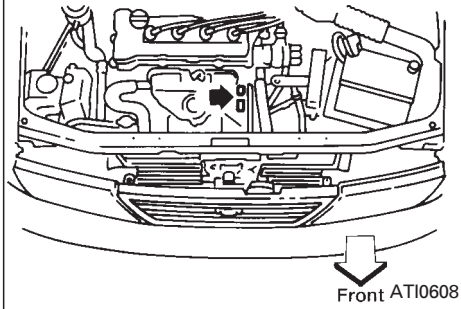


### VEHICLE IDENTIFICATION NUMBER (Chassis number)

The chassis number is stamped as shown.



GA16DE engine

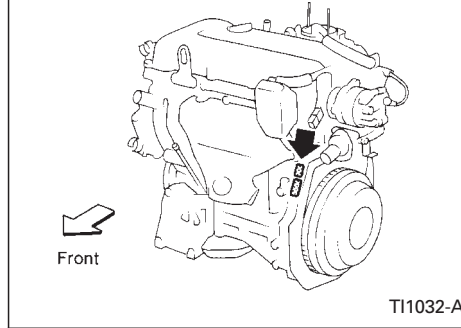


Front AT10608

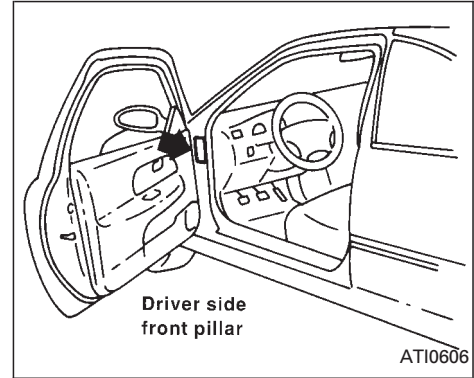
## ENGINE SERIAL NUMBER

The engine serial number is stamped on the engine as shown.

SR20DE engine



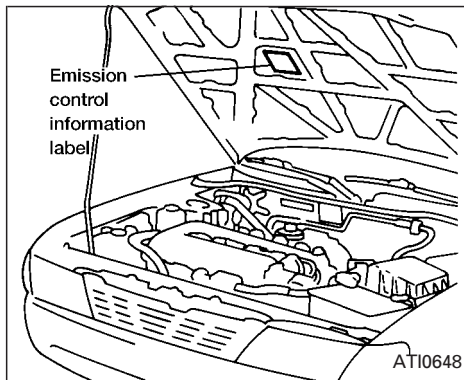
TI1032-A



AT10606

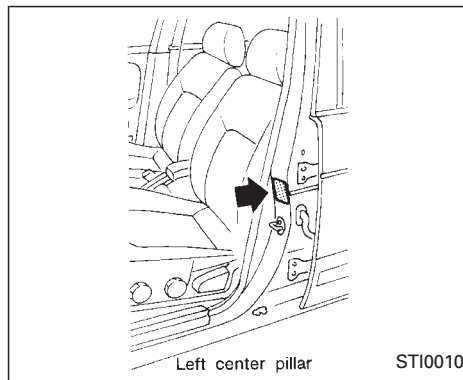
## F.M.V.S.S. CERTIFICATION LABEL

The Federal Motor Vehicle Safety Standard (F.M.V.S.S.) certification label is affixed as shown. This label contains valuable vehicle information, such as: Gross Vehicle Weight Ratings (GVWR), Gross Axle Weight Rating (GAWR), month and year of manufacture, Vehicle Identification Number, (VIN), etc. Review it carefully.



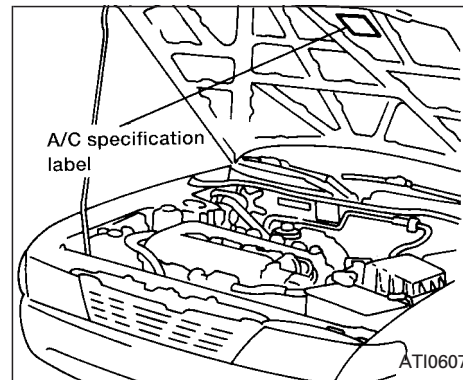
### EMISSION CONTROL INFORMATION LABEL

The emission control information label is attached as shown.



### TIRE PLACARD

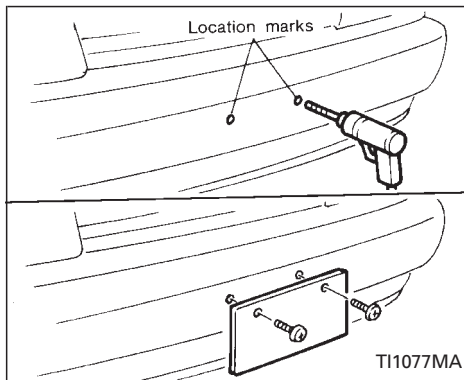
The cold tire pressure is shown on the tire placard affixed to the driver side center pillar.



### AIR CONDITIONER SPECIFICATION LABEL

The air conditioner specification label is affixed as shown.

## INSTALLING LICENSE PLATE



Use the following steps to mount the license plate:

1. Make a hole in each plastic finisher at the location mark (small dimple) using a 0.31 in (8 mm) drill. To avoid damaging the threads behind the finisher, apply only light pressure to the drill.
2. Mount the license plate **using two M6-14mm bolts**.  
**License plate bolt tightening torque: 3.8 to 4.7 ft-lb (5.10 to 6.37 N·m)**

## VEHICLE LOADING INFORMATION

### WARNING

- It is extremely dangerous to ride in a cargo area inside of a vehicle. In a collision, people riding in these areas are more likely to be seriously injured or killed.
- Do not allow people to ride in any area of your vehicle that is not equipped with seats and seat belts.
- Be sure everyone in your vehicle is in a seat and using a seat belt properly.

## Terms

It is important to familiarize yourself with the following terms before loading your vehicle:

- Curb Weight (actual weight of your vehicle) - vehicle weight including: standard and optional equipment, fluids, emergency tools, and spare tire assembly. This weight **does not** include passengers and cargo.
- GVW (Gross Vehicle Weight) - curb weight plus the combined weight of passengers and cargo.

- GVWR (Gross Vehicle Weight Rating) - maximum total weight (load) limit specified for the vehicle.
- GAWR (Gross Axle Weight Rating) - maximum weight (load) limit specified for the front or rear axle.

## Determining Vehicle Load Capacity

The load capacity of this vehicle is determined by weight, not by available cargo space. For example, a luggage rack, bike carrier, cartop carrier or similar equipment does not increase load carrying capacity of your vehicle.

To determine vehicle load capacity:

Vehicle weight can be determined by using a commercial-grade scale, found at places such as a truck stop, gravel quarry, grain elevator, or a scrap metal recycling facility.

- 1) Determine the curb weight of your vehicle.
- 2) Compare the curb weight amount to the GVWR specified for your vehicle to determine how much more weight your vehicle can carry.
- 3) After loading (cargo and passengers),

re-weigh your vehicle to determine if either GVWR or GAWR for your vehicle is exceeded. If GVWR is exceeded, remove cargo as necessary. If either the front or rear GAWR is exceeded, shift the load or remove cargo as necessary.

### Loading Tips

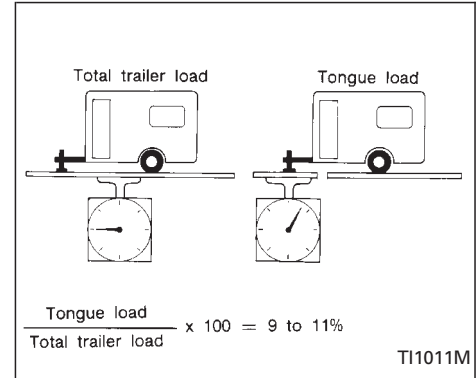
- The GVW must not exceed GVWR or GAWR as specified on the F.M.V.S.S. Certification Label.
- Do not load the front and rear axle to the GAWR. Doing so will exceed the GVWR.

### CAUTION

- **Properly secure all cargo to help prevent it from sliding or shifting. In a sudden stop or collision, unsecured cargo could cause personal injury.**
- **Do not load your vehicle any heavier than the GVWR or the maximum front and rear GAWRs. If you do, parts on your vehicle can break, or it can change the way your vehicle handles. This could result in loss of control and cause personal injury.**

- **Overloading can shorten the life of your vehicle. Failures caused by overloading are not covered by your warranty.**

## TRAILER TOWING



Your new vehicle was designed to be used primarily to carry passengers and cargo. Remember that towing a trailer places additional loads on your vehicle's engine, drive train, steering, braking and other systems.

A **Nissan Trailer Towing Guide** is available from your NISSAN dealer. This guide includes information on trailer towing ability and the special equipment required for proper towing.

## Maximum load limits

### Maximum trailer loads

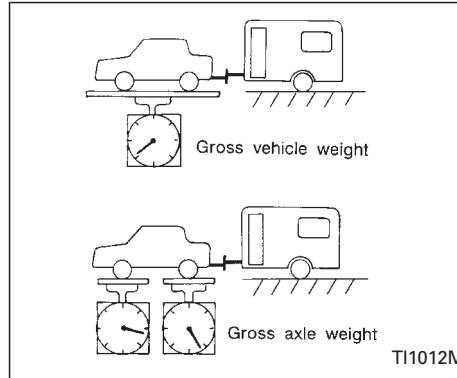
Never allow the total trailer load to exceed 1,000 lb (454 kg). The total trailer load equals trailer weight plus its cargo weight. Towing loads greater than 1,000 lb (454 kg) or using improper towing equipment could adversely affect vehicle handling, braking and performance.

### WARNING

**Vehicle damage and/or personal injury resulting from improper towing procedures is not covered by NISSAN warranties. Information on trailer towing and required towing equipment should be obtained from dealers who specialize in providing trailers or other towing equipment.**

### Tongue load

Keep the tongue load between 9 and 11% of the total trailer load. If the tongue load becomes excessive, rearrange cargo to allow for proper tongue load.



Maximum gross vehicle weight/maximum gross axle weight

The gross vehicle weight of the towing vehicle must not exceed the gross vehicle weight rating (GVWR) shown on the F.M.V.S.S. certification label. The gross vehicle weight equals the combined weight of the unloaded vehicle, passengers, luggage, hitch, trailer tongue load and any other optional equipment. In addition, front or rear gross axle weight must not exceed the gross axle weight rating (GAWR) shown on the F.M.V.S.S. certification label.

### TOWING LOAD / SPECIFICATION CHART

UNIT: lb (kg)	
MAXIMUM TOWING LOAD	1,000 (454)
MAXIMUM TONGUE LOAD	110 (49)

### Trailer hitch

Choose a proper hitch for your vehicle and trailer. Make sure the trailer hitch is securely attached to the vehicle to help avoid personal injury or property damage due to sway caused by crosswinds, rough road surfaces or passing trucks.

- Axle-mounted hitches should not be used.
- The hitch should not be attached to or affect the operation of the impact-absorbing bumper.
- Do not modify the vehicle exhaust system, brake system, etc. when the hitch is installed.
- To reduce the possibility of additional damage if your vehicle is struck from the rear, remove the hitch when not in use.

After the hitch is removed, seal the bolt holes to prevent exhaust fumes, water or dust from entering the passenger compartment.

- Regularly check that all hitch mounting bolts are securely mounted.

## Tire pressures

- When towing a trailer, inflate the vehicle tires to the recommended cold tire pressure indicated on the tire placard (located on the driver side center pillar.)
- Trailer tire condition, size, load rating and proper inflation pressure should be in accordance with the trailer and tire manufacturers' specifications.

## Safety chain

Always use a suitable chain between your vehicle and the trailer. The chain should be crossed and should be attached to the hitch, not to the vehicle bumper or axle. Be sure to leave enough slack in the chain to permit turning corners.

## Trailer lights

Trailer lights should comply with federal and/ or local regulations. When wiring the

vehicle for towing, connect the stop and tail light pickup into the vehicle electrical circuit.

## Trailer brakes

If your trailer is equipped with a braking system, make sure it conforms to federal and/or local regulations and that it is properly installed.

### CAUTION

**Never connect a trailer brake system directly to the vehicle brake system.**

## Pre-towing tips

- Be certain your vehicle maintains a level position when a loaded and/or unloaded trailer is hitched. Do not drive the vehicle if it has an abnormal nose-up or nose-down condition; check for improper tongue load, overload, worn suspension or other possible causes of either condition.
- Always secure items in the trailer to prevent load shifts while driving.
- Be certain your rear view mirrors conform to all federal, state or local regulations. If not, install any mirrors required for towing before driving the vehicle.

## Trailer towing tips

In order to gain skill and an understanding of the vehicle's behavior, you should practice turning, stopping and backing up in an area which is free from traffic. Steering, stability, and braking performance are somewhat different than under normal driving conditions.

- Always secure items in the trailer to prevent load shift while driving.
- Avoid abrupt starts, acceleration or stops.
- Avoid sharp turns or lane changes.
- Always drive your vehicle at a moderate speed.
- Always block the wheels on both vehicle and trailer when parking. Parking on a slope is not recommended; however, if you must do so, and if your vehicle is equipped with automatic transmission, first block the wheels and apply the parking brake, and then move the transmission shift lever into the P position. If you move the shift lever to the P position before blocking the wheels and applying the parking brake, transmission damage could occur.

- When going down a hill, shift into a lower gear and use the engine braking effect. When ascending a long grade, downshift the transmission to a lower gear and reduce speed to reduce chances of engine overloading and/or overheating.
- If the engine temperature coolant rises to an extremely high temperature when the air conditioning system is on, turn off the air conditioner. Coolant heat can be additionally vented by opening the windows, switching the fan control to high and setting the temperature control to the HOT position.
- Trailer towing requires more fuel than normal circumstances.
- Avoid towing a trailer for your vehicle's first 500 miles (800 km).
- Have your vehicle serviced more often than at intervals specified in the recommended Maintenance Schedule.
- When making a turn, your trailer wheels will be closer to the inside of the turn than your vehicle wheels. To compensate for this, make a larger than normal turning radius during the turn.

- Crosswinds and rough roads adversely affect vehicle/trailer handling, possibly causing vehicle sway. When being passed by larger vehicles, be prepared for possible changes in crosswinds that could affect vehicle handling. If swaying does occur, firmly grip the steering wheel, steer straight ahead, and immediately (but gradually) reduce vehicle speed. This combination helps to stabilize the vehicle. Never increase speed.
- Be careful when passing other vehicles. Passing while towing a trailer requires considerably more distance than normal passing. Remember the length of the trailer must also pass the other vehicle before you can safely change lanes.
- To maintain engine braking efficiency and electrical charging performance, do not use fifth gear (manual transmission) or overdrive (automatic transmission).
- Avoid holding the brake pedal down too long or too frequently. This could cause the brakes to overheat, resulting in reduced braking efficiency.

**When towing a trailer, change the oil in the transmission more frequently.**

**See the Maintenance Schedule.**

## UNIFORM TIRE QUALITY GRADING

DOT Quality Grades: All passenger car tires must conform to Federal Safety Requirements in addition to these grades.

### Treadwear

Treadwear grade is a comparative rating based on tire wear rate when tested under controlled conditions on specified government test courses. For example, a tire graded 150 would wear one and a half (1-1/2) times as well on the government course as a tire graded 100. However, relative tire performance depends on actual driving conditions, and may vary significantly from the norm due to variations in driving habits, service practices and differences in road characteristics and climate.

### Traction A, B and C

Traction grades are A (the highest), B and C. They represent a tire's ability to stop on wet pavement as measured under controlled conditions, on specified government test surfaces of asphalt and concrete. A tire marked with a C may have poor traction performance.

### WARNING

**The traction grade assigned to your vehicle tires is based on straight line**

**braking traction tests and does not include cornering (turning) traction.**

## Temperature A, B and C

Temperature grades are A (the highest), B, and C. They represent a tire's resistance to heat build-up, and its ability to dissipate heat when tested under controlled conditions on a specified indoor laboratory test wheel. Sustained high temperature can cause tire material to degenerate, reducing tire life. Excessive temperatures can lead to sudden tire failure. Grade C corresponds to a performance level which all passenger car tires must meet under the Federal Motor Vehicle Safety Standard No. 109. Grades A and B represent higher levels of performance on laboratory test wheels than the minimum required by law.

### **WARNING**

**The temperature grade for this tire is established for a tire that is properly inflated and not overloaded. Excessive speed, under inflation, or excessive loading, either separately or in combination, can cause heat build-up and possible tire failure problems.**

## EMISSION CONTROL SYSTEM WARRANTY

Your NISSAN is covered by the following emission warranties.

### For USA

- 1) Emission Defects Warranty
- 2) Emissions Performance Warranty

### For Canada

#### Emission Control System Warranty

Details of these warranties may be found with other vehicle warranties in your warranty information booklet that comes with your NISSAN. If you did not receive a warranty booklet, or it has become lost, you may obtain a replacement by writing to:

- Nissan Motor Corporation, in USA  
Consumer Affairs Department  
P.O. Box 191  
Gardena, CA. 90247
- Nissan Canada Inc.  
P.O. Box 1709  
Station "B"  
Mississauga, Ontario,  
L4Y 4H6

## REPORTING SAFETY DEFECTS ( USA)

If you believe that your vehicle has a defect which could cause a crash or could cause injury or death, you should immediately inform the National Highway Traffic Safety Administration (NHTSA) in addition to notifying NISSAN.

If NHTSA receives similar complaints, it may open an investigation, and if it finds that a safety defect exists in a group of vehicles, it may order a recall and remedy campaign. However, NHTSA cannot become involved in individual problems between you, your dealer, or NISSAN.

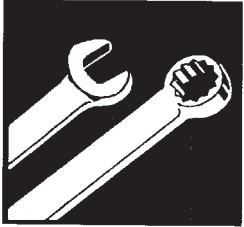
To contact NHTSA, you may either call the Auto Safety Hotline toll-free at 1- 800-424-9393 (or 366-0123 in the Washington, D.C. area) or write to: NHTSA, U.S. Department of Transportation, Washington, D.C. 20590. You can also obtain other information about motor vehicle safety from the Hotline.

You may notify NISSAN by contacting our Consumer Affairs Department, toll-free, at 1-800-NISSAN-1.

In Hawaii call (808) 531-0231.



## **Genuine Nissan Service Manuals**



# **GET THE INSIDE STORY**

A Genuine Nissan Service Manual is the best source of service and repair information for your vehicle. Filled with wiring diagrams, illustrations and step-by-step diagnostic and adjustment procedures, this manual is the same one used by the factory trained technicians working at your Nissan dealership. Also available are Genuine NISSAN Owner's Manuals. For current pricing and availability of a Genuine NISSAN Service Manual or Genuine NISSAN Owner's Manual, contact:

### **In the USA:**

See your NISSAN dealer or contact:

Dyment Distribution Services  
20770 Westwood Dr.  
Strongsville OH 44136

In a hurry? Call 1-800-247-5321 and charge your purchase to Visa/Master Card.

### **In Canada:**

To purchase a copy of a Genuine NISSAN Service Manual or Owner's Manual please contact your nearest NISSAN Dealer. For the phone number and location of a NISSAN Dealer in your area call the Nissan Satisfaction Center at 1-800-387-0122 and a bilingual NISSAN representative will assist you.

Also available are Genuine NISSAN Service and Owner's Manuals for older Nissan models.

# 10 Index

## A

Air bag (See supplemental restraint system)	
Air bag warning light (If so equipped) .....	2-20
Air cleaner housing filter .....	7-19
Air conditioner	
Air conditioner operation .....	3-5
Air conditioner specification label .....	9-13
Heater and air conditioner controls .....	3-3
Servicing air conditioning .....	3-9
Air conditioning system refrigerant and lubricant recommendations .....	9-8
Air flow charts .....	3-6
Anchor point locations .....	2-32
Antenna (manual) .....	3-17
Anti-lock brake system (ABS) .....	4-16
Audio system	
AM-FM radio .....	3-11
AM-FM radio with cassette player .....	3-13
Automatic	
Automatic power window switch .....	1-16
Automatic transmission fluid .....	7-11
Driving with an automatic transmission .....	4-6

## B

Battery .....	7-15
Belts (See drive belts)	
Brake	
Anti-lock brake system (ABS) .....	4-16
Brake fluid .....	7-13
Brake booster .....	7-22
Brake wear indicators .....	1-7, 7-22
Brake pedal .....	7-21
Parking brake check .....	7-21
Parking brake operation .....	4-11
Break-in schedule .....	4-13
Bulb check/instrument panel .....	1-5
Bulb replacement .....	7-26

## C

Capacities and recommended fuel/lubricants .....	9-2
Cassette player (See audio system)	
CB radio or car phone .....	3-18
Child restraints for infants and small children .....	2-28
Child safety rear door lock .....	2-7
Cigarette lighter (accessory) and ashtray .	1-13
Cleaning exterior and interior .....	6-2
Clock-radio .....	3-13

Clutch pedal .....	7-23
Cold weather driving cautions .....	4-18
Controls	
Audio controls .....	3-10, 3-13
Heater and air conditioner .....	3-3
Coolant	
Capacities and recommended fuel/lubricants .....	9-2
Changing engine coolant .....	7-6
Checking engine coolant level .....	7-5
Engine coolant temperature gauge .....	1-3
Corrosion protection .....	6-5
Cruise control .....	4-12
Cup holder .....	1-14

## D

Daytime running light system (Canada only) .....	1-11
Defogger switch	
Rear window defogger switch .....	1-10
Dimensions and weights .....	9-10
Door locks .....	2-2
Freeing a frozen door lock .....	4-18
Drive belts .....	7-17
Driving	
Cold weather driving cautions .....	4-18

Driving with automatic transmission.....	4-6
Driving with manual transmission.....	4-9
Precautions when driving.....	4-16
Precautions when starting and driving...	4-2

## E

Economy-fuel.....	4-14
Emission control information label.....	9-13
Emission control system warranty.....	9-19
Engine	
Before starting the engine.....	4-5
Capacities and recommended fuel/lubricants.....	9-2
Changing engine coolant.....	7-6
Changing engine oil.....	7-9
Changing engine oil filter.....	7-10
Checking engine coolant level.....	7-5
Checking engine oil level.....	7-8
Engine compartment check locations.....	7-3, 7-4
Engine coolant temperature gauge.....	1-3
Engine cooling system.....	7-5
Engine oil.....	7-8
Engine oil and oil filter recommendation.....	9-5
Engine oil viscosity.....	9-5
Engine serial number.....	9-12
Engine specifications.....	9-9
Starting the engine.....	4-11
Exhaust gas (Carbon monoxide).....	4-2

## F

Flashers (See hazard warning flasher switch)	
Flat tire.....	5-2
Fluid (Checking)	
Automatic transmission fluid.....	7-11
Brake fluid.....	7-13
Engine coolant.....	7-5
Engine oil.....	7-8
Power steering fluid.....	7-13
Window washer fluid.....	7-14
F.M.V.S.S. certification label.....	9-12
Front fog light switch.....	1-12
Front seats.....	2-13
Fuel	
Capacities and recommended fuel/lubricants.....	9-2
Fuel economy.....	4-14
Fuel filler cap.....	2-11
Fuel filler lid lock operation.....	2-11
Fuel gauge.....	1-4
Fuel octane rating.....	9-3
Fuel recommendation.....	9-3
Fuses.....	7-23

## G

Gas station information.....	10-10
Gauge	
Engine coolant temperature gauge.....	1-3
Fuel gauge.....	1-4

Odometer.....	1-3
Speedometer.....	1-3
Tachometer.....	1-3
Trip odometer.....	1-3

Gear selection (See shifting)	
General maintenance.....	8-2
Glove box.....	2-9

## H

Hazard warning flasher switch.....	1-13
Head restraints.....	2-14
Headlight aiming adjustment.....	7-26
Headlight and turn signal switch.....	1-11
Headlights.....	7-25
Heater and air conditioner	
Heater and air conditioner controls.....	3-3
Heater operation.....	3-4
Hood release.....	2-8

## I

Ignition switch.....	4-4
Increasing fuel economy.....	4-14
Indicator lights and chimes (See warning/indicator lights and chimes)	
Inside mirror.....	2-35
Instrument brightness control.....	1-12
Interior light.....	1-17

**J**

Jump starting ..... 5-7

**K**

Key ..... 2-2

Keyless entry system (See multi-remote control system)

**L**

## Labels

Air conditioner specification label ..... 9-13

Emission control information label ..... 9-13

Engine serial number ..... 9-12

F.M.V.S.S. Certification label ..... 9-12

Vehicle identification number plate ..... 9-11

Warning labels (for SRS) ..... 2-20

## License plate

Installing license plate ..... 9-14

## Light

Air bag warning light ..... 2-20

Bulb check/instrument panel ..... 1-5

Bulb replacement ..... 7-26

Front fog light switch ..... 1-12

Headlight aiming adjustment ..... 7-26

Headlight and turn signal switch ..... 1-11

Headlights ..... 7-25

Interior light ..... 1-17

Light bulbs ..... 7-25

Trunk light ..... 1-17

Warning/indicator lights and chimes ..... 1-5

## Lock

Child safety rear door lock ..... 2-7

Door locks ..... 2-2

Fuel filler lid lock operation ..... 2-11

Power door lock ..... 2-3

Trunk lid lock operation ..... 2-9

**M**

## Maintenance

General maintenance ..... 8-2

Inside the vehicle ..... 8-3

Outside the vehicle ..... 8-2

Periodic maintenance schedules ..... 8-5

Seat belt maintenance ..... 2-27

Under the hood and vehicle ..... 8-4

Manual antenna ..... 3-17

Meters and gauges ..... 1-2

## Mirror

Inside mirror ..... 2-35

Outside mirror control ..... 2-34

Vanity mirror ..... 2-35

Multi-remote control system ..... 2-4

**O**

Octane rating (See fuel)

Odometer ..... 1-3

## Oil

## Capacities and recommended

fuel/lubricants ..... 9-2

Changing engine oil ..... 7-9

Changing engine oil filter ..... 7-10

Checking engine oil level ..... 7-8

Engine oil ..... 7-8

Engine oil and oil filter

recommendation ..... 9-5

Opener lever for trunk lid ..... 2-9

Outside mirror control ..... 2-34

Overdrive switch ..... 4-8

## Overheat

If your vehicle overheats ..... 5-9

Owner's manual order form ..... 9-20

**P**

## Parking

Parking brake check ..... 7-21

Parking brake operation ..... 4-11

Parking/parking on hills ..... 4-15

Periodic maintenance schedules ..... 8-5

## Power

Power door lock ..... 2-3

Power steering fluid ..... 7-13

Power windows ..... 1-15

## Precautions

Maintenance precautions ..... 7-2

Precautions on seat belt usage ..... 2-22

Precautions when driving ..... 4-16

Precautions when starting and driving ...	4-2
Push starting.....	5-8

## Q

Quick reference (See gas station information)	
---	--

## R

Radio	
AM-FM radio.....	3-11
AM-FM radio with cassette player.....	3-13
CB radio or car phone.....	3-18
Rear seat.....	2-15
Rear window defogger switch.....	1-10
Refrigerant recommendation.....	9-8
Registering your vehicle in another country.....	9-11
Remote keyless entry system (See multi-remote control system)	
Reporting safety defects (USA).....	9-19

## S

Safety	
Child safety rear door lock.....	2-7
Reporting safety defects (USA).....	9-19
Seat adjustment.....	2-13
Seat belt	
Precautions on seat belt usage.....	2-22
Seat belt extenders.....	2-27

Seat belt maintenance.....	2-27
Seat belts.....	2-22
Shoulder belt height adjustment.....	2-25
2-point type without retractor (rear center lap belt).....	2-26
3-point type with retractor.....	2-23

Seats	
Front seats.....	2-13
Rear seat.....	2-15
Service manual order form.....	9-20
Shifting.....	4-7
Spark plug replacement.....	7-18
Speedometer.....	1-3
SRS warning label.....	2-20

Starting	
Before starting the engine.....	4-5
Jump starting.....	5-7
Precautions when starting and driving... ..	4-2
Push starting.....	5-8
Starting the engine.....	4-11

Steering	
Power steering fluid.....	7-13
Tilting steering wheel.....	2-34
Sun roof.....	1-16

Supplemental restraint system (Air bag system) (If so equipped).....	2-15
--	------

Switch	
Automatic power window switch.....	1-16
Front fog light switch.....	1-12
Hazard warning flasher switch.....	1-13
Headlight and turn signal switch.....	1-11
Ignition switch.....	4-4

Overdrive switch.....	4-8
Rear window defogger switch.....	1-10
Windshield wiper and washer switch.....	1-9

## T

Tachometer.....	1-3
Theft warning.....	1-8
Three way catalyst.....	4-2
Tilting front seat.....	2-14
Tilting steering wheel.....	2-34
Timing chain.....	9-9

Tire	
Flat tire.....	5-2
Tire chains.....	7-33
Tire placard.....	9-13
Tire pressure.....	7-32
Tire rotation.....	7-33
Types of tires.....	7-32
Uniform tire quality grading.....	9-18
Wheel/tire size.....	9-10
Wheels and tires.....	7-32

Towing	
Tow truck towing.....	5-10
Trailer towing.....	9-15
Towing load/specification chart.....	9-16

Transmission	
Automatic transmission fluid.....	7-11
Driving with automatic transmission.....	4-6

Driving with manual transmission.....	4-9
Travel (See registering your vehicle in another country)	
Trip odometer .....	1-3
Trunk lid lock operation .....	2-9
Trunk light .....	1-17

## U

Uniform tire quality grading .....	9-18
------------------------------------	------

## V

Vanity mirror .....	2-35
Vehicle dimensions and weights .....	9-10
Vehicle identification	
Vehicle identification number (chassis number) .....	9-11
Vehicle identification number plate .....	9-11
Vehicle loading information .....	9-14
Vehicle recovery .....	5-11
Ventilators .....	3-2

## W

### Warning

Air bag warning light.....	2-20
Hazard warning flasher switch .....	1-13
Theft warning.....	1-8
Warning/indicator lights and chimes .....	1-5

Wheel/tire size .....	9-10
-----------------------	------

Wheels and tires.....	7-32
-----------------------	------

Window washer fluid.....	7-14
--------------------------	------

### Windows

Locking passengers' windows.....	1-15
Rear power windows .....	1-16
Manual .....	1-15
Power windows.....	1-15

### Wiper

Windshield wiper and washer switch .....	1-9
Wiper blades.....	7-20

## Recommended fuel:

Unleaded gasoline, at least 87 AKI (RON 91). For further information on items such as gasoline, see "Fuel recommendation" in the "Technical and consumer information" section.

## Recommended engine oil:

- API SG or SH and Energy Conserving II
- API Certification Mark
- SAE 5W-30 viscosity oil is preferred for all ambient temperatures.

See "Engine oil and oil filter recommendation" in the "Technical and consumer information" section.

## Tire cold pressure:

See tire placard affixed to the driver side center pillar.

## Recommended new vehicle break-in procedure:

During the first 1,000 miles (1,600 km) of vehicle use, follow the recommendations outlined in the "BREAK-IN SCHEDULE" information found in the "Starting and Driving" section of this Owner's Manual. Follow these recommendations for the future reliability and economy of your new vehicle. Failure to follow these recommendations may result in vehicle damage or shortened engine life.

